

ACE 20T

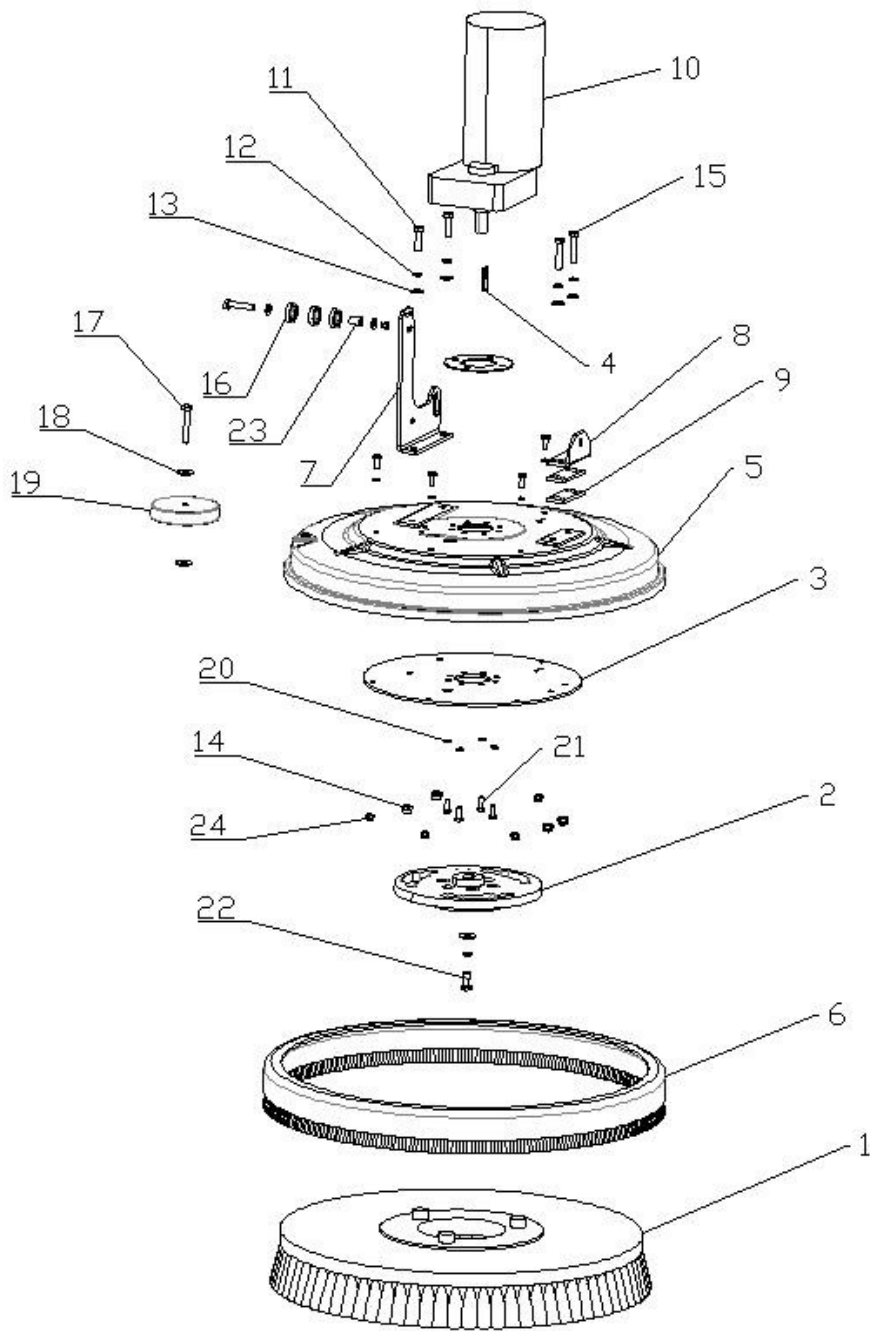
PARTS MANUAL



TABLE OF CONTENTS

BRUSHDECK ASSEMBLY	3-4
SUPPORT FRAME ASSEMBLY	5
FRAME ASSEMBLY	6
BRUSH CONTROL ASSEMBLY	7
ELECTRIC CABINET ASSEMBLY	8
RECOVERY TANK ASSEMBLY	9-10
SOLUTION TANK ASSEMBLY	11-12
SQUEEGEE ASSEMBLY	13-14
WATER ASSEMBLY	15
BATTERIES AND CHARGER	16

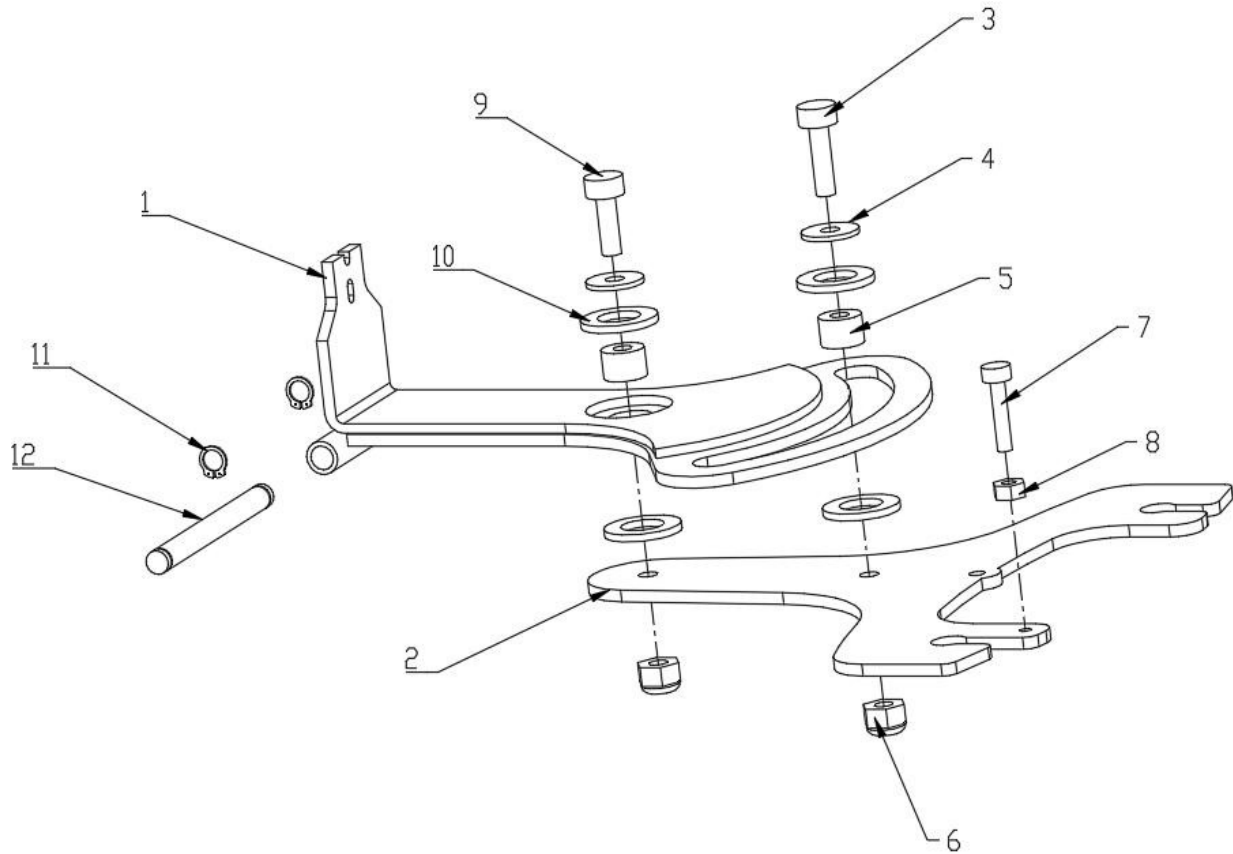
NOSE ASSEMBLY



NOSE ASSEMBLY

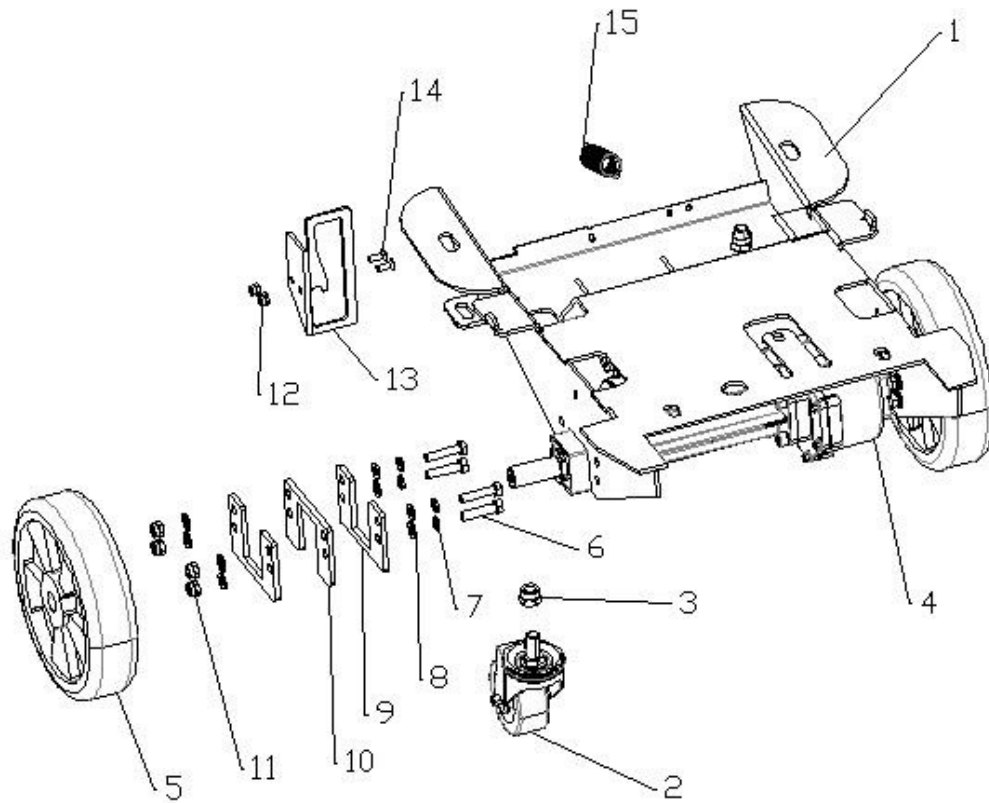
ITEM	PART NUMBER	DESCRIPTION	QTY.
1	10201P	BRUSH 21"	1
2	20101M	BRUSH PLATE	1
3	10217H	FLANGE 320 mm	1
4	10144N	FLAT KEY	1
5	10195P	BRUSH COVER	1
6	10209P	RUBBER SKIRT 21"	1
7	10225H	BRUSH SUPPORT 212-136x30 mm	1
8	10226H	BRUSH SUPPORT 71-38x44 mm	1
9	10219H	HEAL BLOCK 71-30x5 mm	2
10	10111E	24V BRUSH MOTOR	1
11	10134N	SCREW M8-30	2
12	10121N	LOCK WASHER M8	5
13	10126N	WASHER M8-16x1	6
14	10130N	LOCK NUT M8	5
15	10194N	SCREW M8-35	3
16	10294N	BEARING	3
17	10116N	SCREW M8-50	1
18	10127N	WASHER M8-24x2	3
19	10112P	WHEEL 100 x20 mm	1
20	10120N	LOCK WASHER M6	8
21	10112N	SCREW M6-16	8
22	10114N	SCREW M8-20	1
23	10146M	BUSHING M8-12x17	1
24	10129N	LOCK NUT M6	4

SUPPORT FRAME ASSEMBLY



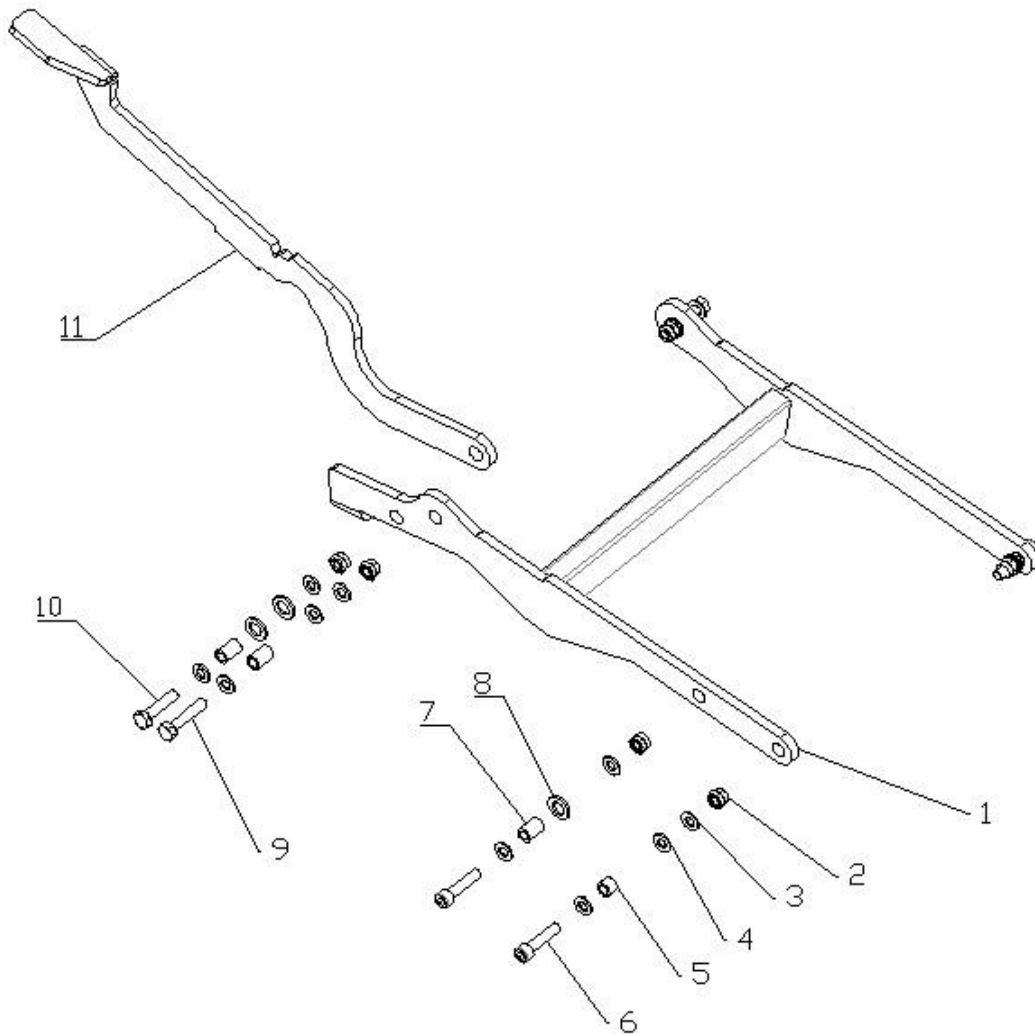
ITEM	PART NUMBER	DESCRIPTION	QTY.
1	10114H	SUPPORT 199 x 134 mm	1
2	10115H	COUPLING 285 x 24 5mm	1
	20102A	SUPPORT/COUPLING ASSEMBLY	1
3	10134N	SCREW M8-30	1
4	10127N	WASHER M8-24x2	2
5	10104M	BUSHING M8-18x12	2
6	10130N	LOCK NUT M8	2
7	10113N	SCREW M6-30	1
8	10131N	NUT M6	1
9	10133N	SCREW M8-25	1
10	10126P	NYLON GASKET 32-19x3 mm	4
11	10109N	SNAP RING	2
12	10106M	SHAFT 10 x 106 mm	1

FRAME ASSEMBLY



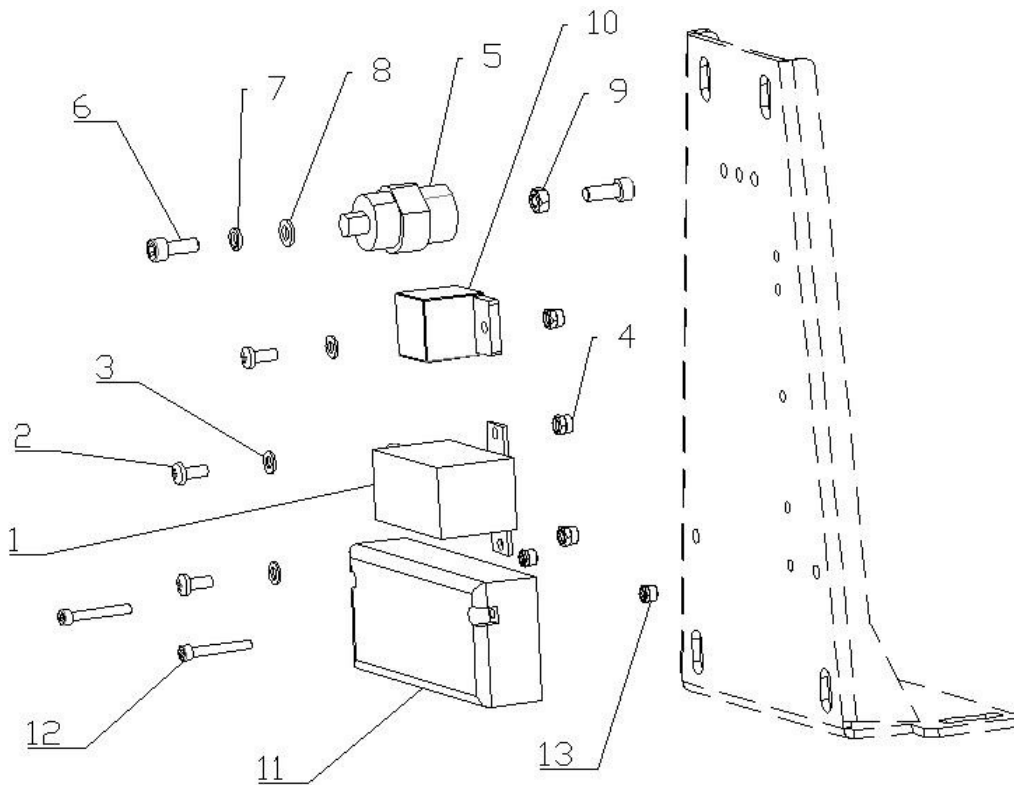
ITEM	PART NUMBER	DESCRIPTION	QTY.
1	10211H	FRAME 524 x 422 x 14.3 mm	1
2	10198P	CASTER WHEEL	2
3	10161N	LOCK NUT M12 A2	2
4	10210E	24V DRIVE MOTOR	1
5	10208P	WHEEL 200 x 50 mm	2
6	10194N	SCREW M8-35	8
7	10121N	LOCK WASHER M8	8
8	10126N	WASHER M8-16x1	16
9	10229H	MOTOR SUPPORT PLATE 105 x 85 x 5 mm	4
10	10228H	MOTOR SUPPORT PLATE 105 x 85 x 5 mm	2
11	10130N	LOCK NUT M8	8
12	10129N	LOCK NUT M6	2
13	10214H	PEDAL SUPPORT 130 x 51 x 44 mm	1
14	10292N	COUNTERSUNK HEAD SCREW M6-30	2
15	10118M	EXTENSION SPRING 2 x 15 x 122 mm	1

BRUSH CONTROL ASSEMBLY



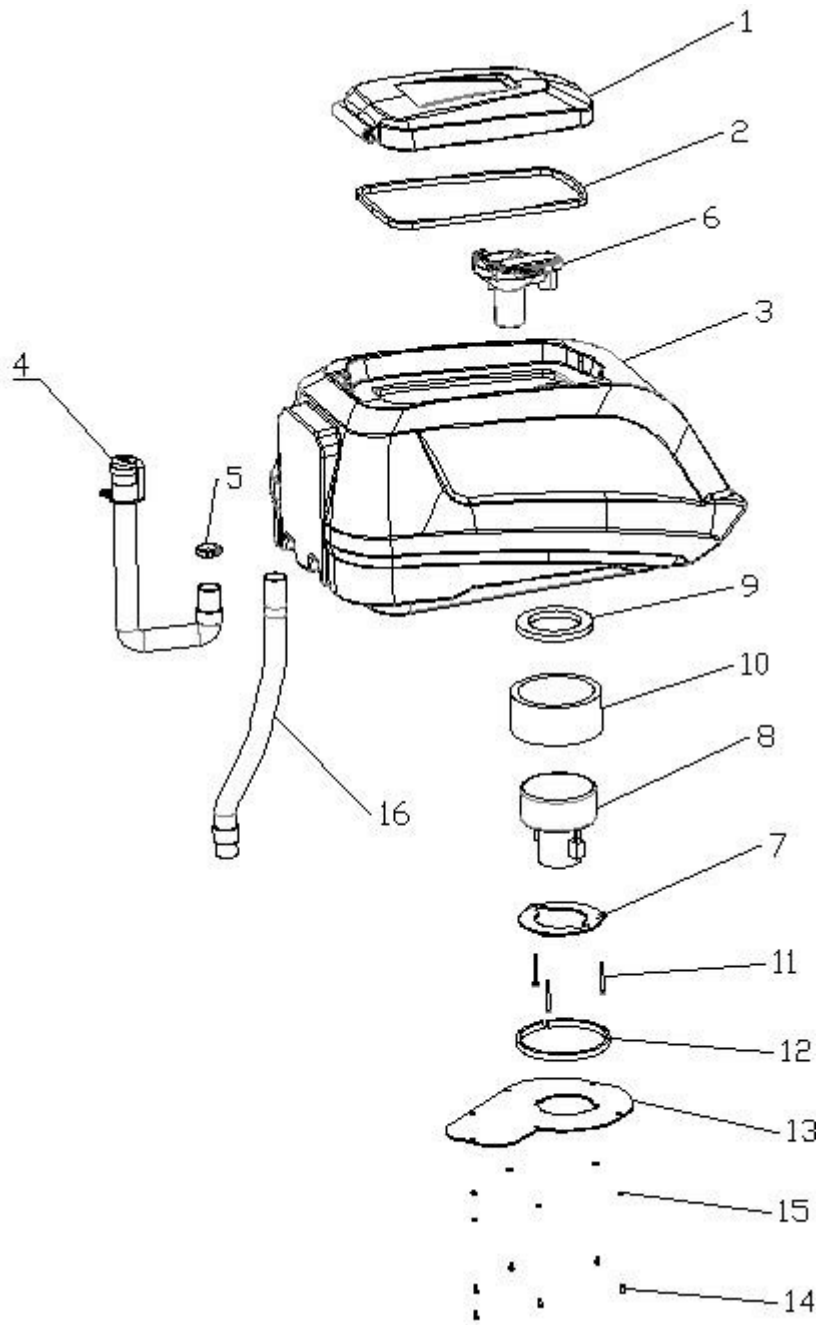
ITEM	PART NUMBER	DESCRIPTION	QTY.
1	10212H	LEVER 462 x 292 x10.5 mm	1
2	10130N	LOCK NUT M8	6
3	10126N	WASHER M8-16x1	12
4	10199P	NYLON GASKET 8-16x1.5	4
5	10145M	BUSHING M8-12x9	2
6	10191N	SCREW M8-35	3
7	10146M	BUSHING M8-12x17	4
8	10200P	NYLON GASKET 12-20x2	3
9	10212N	SCREW M8-40	2
10	10194N	SCREW M8-35	1
11	10213H	BRUSH PEDAL 495 x 257 x 7 mm	1

ELECTRICAL CABINET ASSEMBLY



ITEM	PART NUMBER	DESCRIPTION	QTY.
1	10105E	24V DC CONTACTOR	1
2	10136N	SCREW M5-12	3
3	10122N	WASHER M5-10x1	3
4	10128N	LOCK NUT M5	3
5	10116E	CATHODE INSULATING COLUMN	1
6	10112N	SCREW M6-16	2
7	10120N	LOCK WASHER M6	1
8	10125N	WASHER 6-12x1	1
9	10131N	NUT M6	1
10	10106E	24V RELAY	1
11	10206E	DRIVE CONTROLLER	1
12	10151N	SCREW M4-30	2
13	10152N	LOCK NUT M4	2

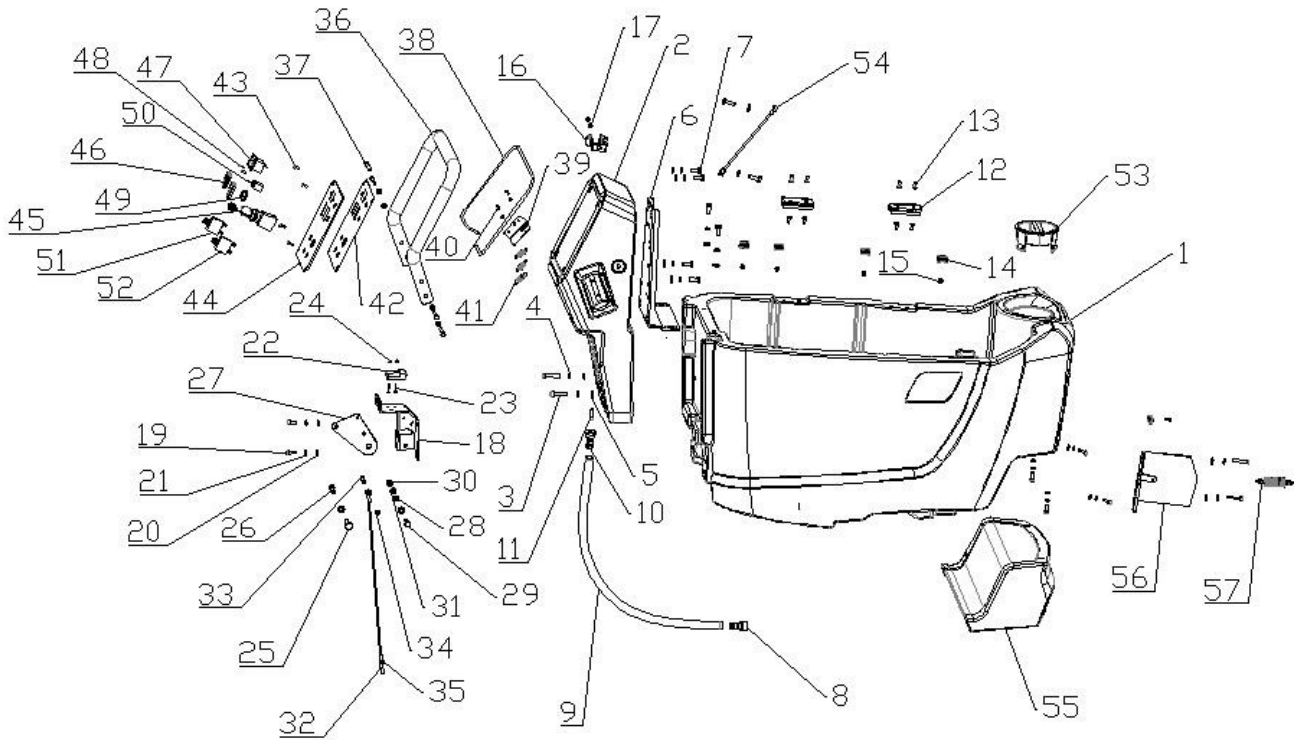
RECOVERY TANK ASSEMBLY



RECOVERY TANK ASSEMBLY

ITEM	PART NUMBER	DESCRIPTION	QTY.
1	10176P	COVER	1
2	20103P	GASKET	1
3	10175P	RECOVERY TANK	1
4	10202P	EXHAUST HOSE 38 x 600 mm	1
5	10140N	CLAMP 33-57 mm	1
6	10207P	SUCTION BODY	1
7	10108H	MOTOR PLATE 164mm	1
8	10112E	24V SUCTION MOTOR	1
9	20105P	EVA FOAMED COTTON 150-105x13 mm	1
10	20106P	NOISE REDUCTION FOAM	1
11	10117N	SCREW M6-100	3
12	20113P	EVA FOAMED COTTON 184mm	1
13	10141H	MOTOR COVER 165mm	1
14	10136N	SCREW M5-12	6
15	10122N	WASHER M5-10x1	6
16	10203P	SUCTION HOSE 38 x 1100 mm	1

SOLUTION TANK ASSEMBLY

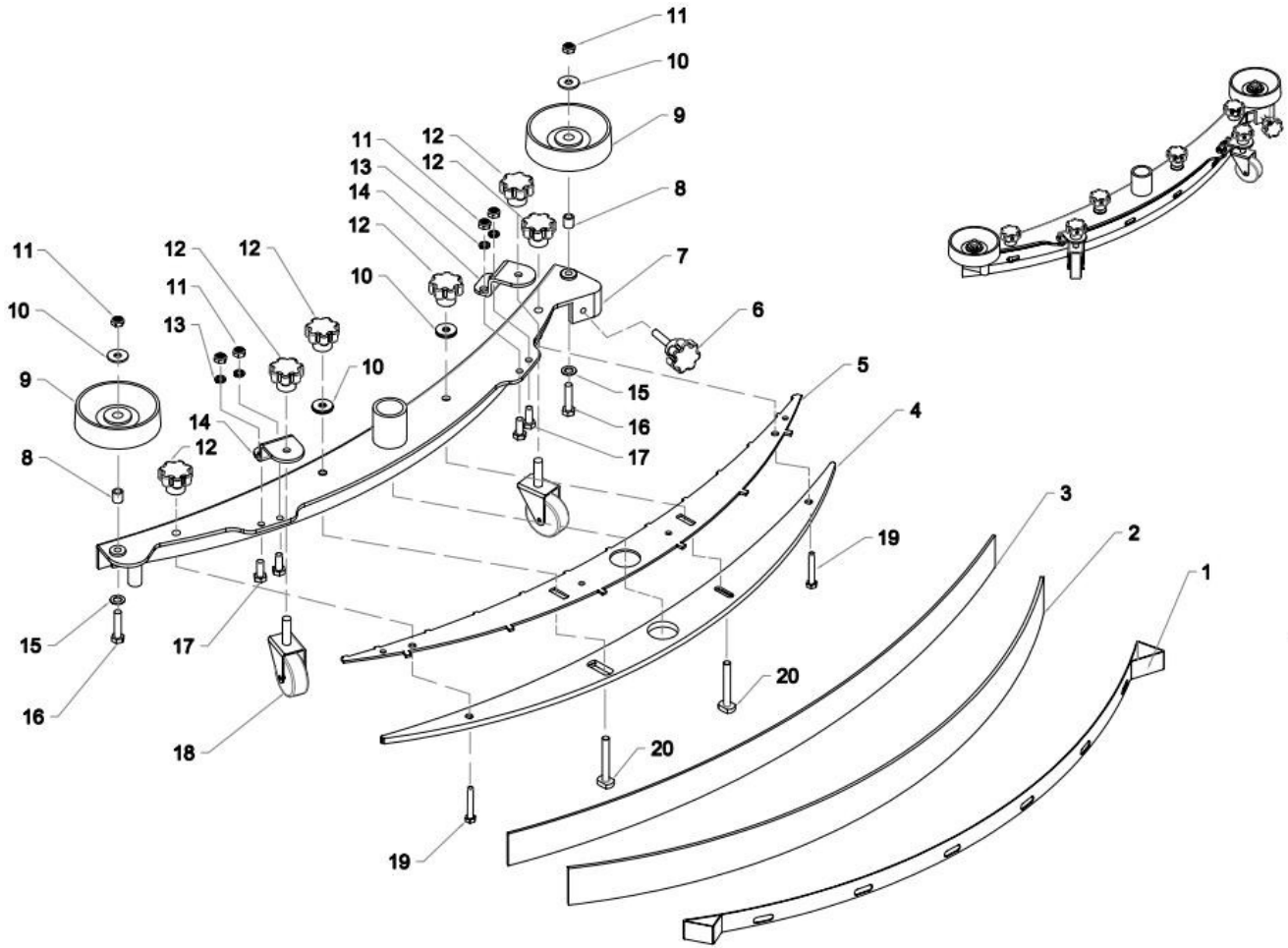


ITEM	PART NUMBER	DESCRIPTION	QTY.
1	10174P	SOLUTION TANK	1
2	10177P	HANDLE BOX	1
3	10191N	SCREW M8-35	2
4	10121N	LOCK WASHER M8	10
5	10126N	WASHER M8-16x1	13
6	10220H	SUPPORT 205 x 79 x 300 mm	1
7	10132N	SCREW M8-20	8
8	10296N	NIPPLE 1/2-16	1
9	20165P	PIPE	1
10	10204P	NYLON CONNECTOR	1
11	10287N	SCREW M6-20	1
12	10295N	HINGE	2
13	10292N	COUTERSUNK HEAD SCREW M6-16	4
14	10103N	SUPPORT PLATE	5
15	10136N	SCREW M5-12	6
16	10108P	CLAMP	1
17	10122N	WASHER M5-10x1	1
18	10222H	SUPPORT 160 x 10m x 72 mm	1
19	10112N	SCREW M6-16	6
20	10125N	WASHER M6-12x1	10

SOLUTION TANK ASSEMBLY, CONTINUED

21	10120N	LOCK WASHER M6	6
22	10118E	PLUG	1
23	10159N	SCREW M3-30	2
24	10145N	LOCK NUT M3	6
25	10205P	HANDLE	1
26	10194N	SCREW M8-35	1
27	10221H	LEVER 132 x 69 x 3.5 mm	1
28	10144M	BUSHING M8-12 x4	1
29	10133N	SCREW M8-25	3
30	10130N	LOCK NUT M8	1
31	10157N	NUT M8	1
32	10153M	ROPE	1
33	10183N	SCREW M6-25	1
34	10129N	LOCK NUT M6	1
35	10131N	NUT M6	1
36	10232H	HANDLE	1
37	10285N	SCREW M6-45	4
38	10233H	CONTROL HANDLE	1
39	10215H	MICROSWITCH SUPPORT	1
40	10189N	SCREW M3-20	2
41	10134M	EXTENSION SPRING 1 x 10 x 40 mm	3
42	10231H	CONTROL PANEL	1
43	10135N	SCREW M4-12	4
44	10209E	CONTROL PANEL DECAL	1
45	10101E	KEY SWITCH	1
46	10102E	ROCKER SWITCH	3
47	10103E	24V BATTERY INDICATOR	1
48	10149N	SCREW M3-12	2
49	10129E	SPEED KNOB	1
50	10135E	SWITCH	1
51	10207E	OVERLOAD PROTECTOR 50A	1
52	10208E	OVERLOAD PROTECTOR 30A	1
53	10206P	CAP	1
54	10143M	ROPE	1
55	10178P	BRUSH MOTOR COVER	1
56	10227H	GUIDE BRACKET 152 x 130 x 30 mm	1
57	10118M	EXTENSION SPRING 2 x 15 x 122 mm	1

SQUEEGEE ASSEMBLY

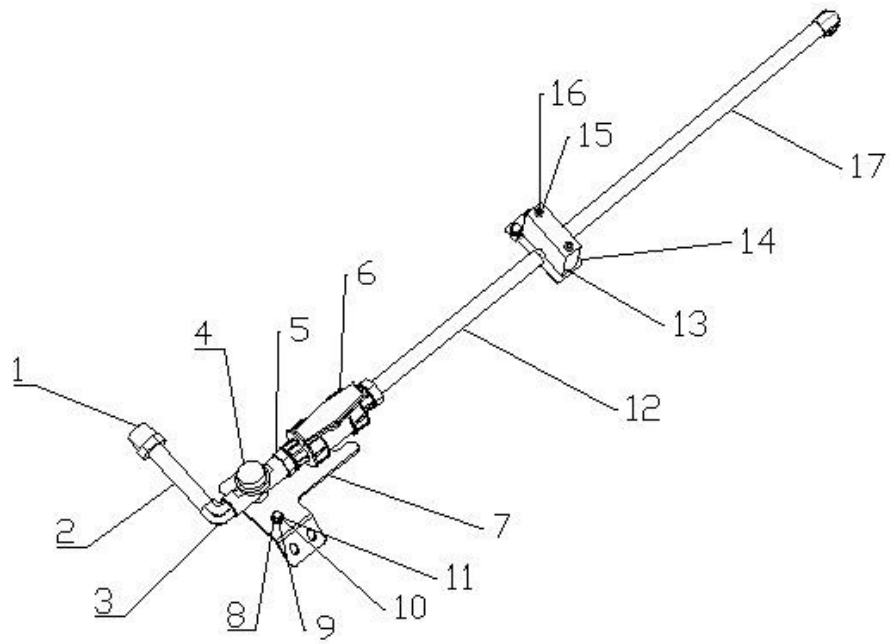


ITEM	PART NUMBER	DESCRIPTION	QTY.
1	10116H	STEEL PLATE	1
2	20115P	REAR RUBBER SQUEEGEE 4 x 855 x 52 mm	1
3	20114P	FRONT RUBBER SQUEEGEE 4 x 845 x 45 mm	1
4	20116P	SQUEEGEE WEDGE	1
5	10153H	STEEL FIXING PLATE	1
6	10150N	KNOB M8	1
7	20102M	SQUEEGEE BODY	1
8	10146M	BUSHING 8 x 12 x 13 mm	2
9	10113P	WHEEL 100 x 25 mm	2
10	10127N	GASKET 8 x 24 x 2 mm	6
11	10130N	LOCK NUT M8	6
12	10114P	KNOB M8	6
13	1012N	WASHER M8	4
14	10117H	WHEEL SUPPORT	2

SQUEEGEE ASSEMBLY, CONTINUED

15	10126N	GASKET M8	2
16	10194N	BOLT M8x35	2
17	10132N	BOLT M8x20	4
18	10118P	CASTER WHEEL	2
19	10116N	BOLT M8x50	2
20	10301N	T-BOLT M8x60	2
	20107A	SQUEEGEE ASSEMBLY 20T	

WATER ASSEMBLY



ITEM	PART NUMBER	DESCRIPTION	QTY.
1	10104N	NIPPLE 1/2-12	1
2	20166P	PIPE	1
3	10318N	ELBOW 3/8-16	2
4	10119P	FILTER 3/8	1
5	10279N	NIPPLE 3/8-1/2	1
6	10101N	1/2 BALL VALVE	1
7	10218H	VALVE SUPPORT 115 x 97 x 27 mm	1
8	10148N	SCREW M5-16	4
9	10119N	LOCK WASHER M5	4
10	10153N	WASHER M5-12x1	4
11	10128N	LOCK NUT M5	4
12	20167P	PIPE	1
13	10110E	24V SOLENOID VALVE	1
14	10109H	SUPPORT 69 x 12 x 2 mm	1
15	10151N	SCREW M4-30	2
16	10152N	LOCK NUT M4	2
17	20168P	PIPE	1

BATTERIES AND CHARGER

ITEM	DESCRIPTION	QTY
BATTERY SPECIFICATIONS	12v AGM, 100ah (13" x 9.44" x 6.75")	2
10174E	EXTERNAL CHARGER 24V, 15A	1