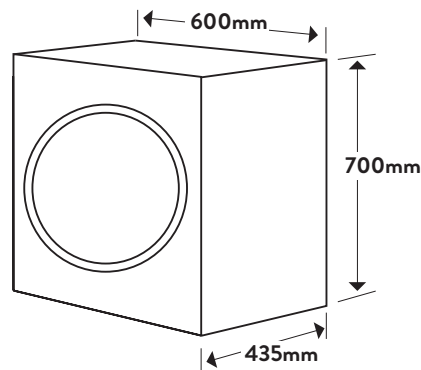




## Dimensions/Weight

Overall Dimensions (mm): 700(h) x 600(w) x 435(d)  
Weight: 20kg



## Technical Details

### Style

Dryer Type: Vented  
Capacity: 4.5kg

### Functionality

Heat Settings: High Heat/Low Heat  
Drum Rotation: One Way  
Timer Temperatures (°C):  
Cool 0 - 20  
Warm 20 - 120  
Hot 120 - 200  
Air Dry 0 - 80  
Motor: 65W  
Rated Power Input: 1450W  
Energy Rating: 2 Stars

### Accessories:

Wall Mounting Kit: Included  
Reverse Control Panel: Included  
Ducting: Outlet connection supplied

### Installation

Installation Style: Freestanding or Wall Mounted  
Maximum Current: 10amp/3 Pin Plug  
Connection: 240V, 50Hz  
Warranty: 24 Months Parts and Labour

## Aesthetics

Finish: White Enamel  
Controls: Rotary Control Knobs and Buttons

## Key Features



### Wall Mountable

This appliance can be wall mounted to eliminate wasted space in small areas or placed on a flat surface and used as a freestander.

## Customer Care

T: 1300 11 4357  
E: sales@residentiagroup.com.au

NB: Drawings are not to scale - they are to assist only.  
WARNING: technical specifications and product sizes can be varied by the manufacturer without notice. Cutouts for appliances should only be by physical product measurements.  
The above information is indicative only.