



575 Naples Road
Mendota, CA 93640

info@wetstonedesign.co
559-269-7363

PROJECT NAME:
Firepit Toba Agudo 35 in

ARQUITECT / DESIGNER:
Luis C

DRAWING PACKAGE:
Parts for Firepit Toba Agudo
35 in

SHEET CONTENTS:
Final Drawing

MATERIAL:
Concrete

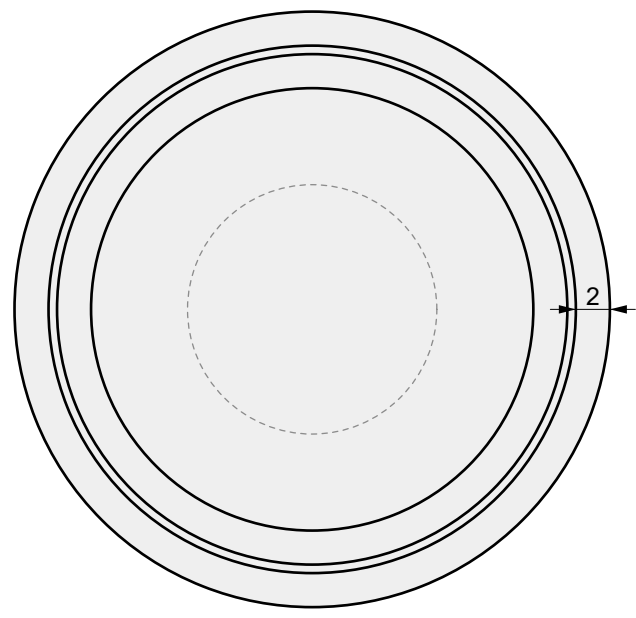
FINISHING:
-

COLOR:
-

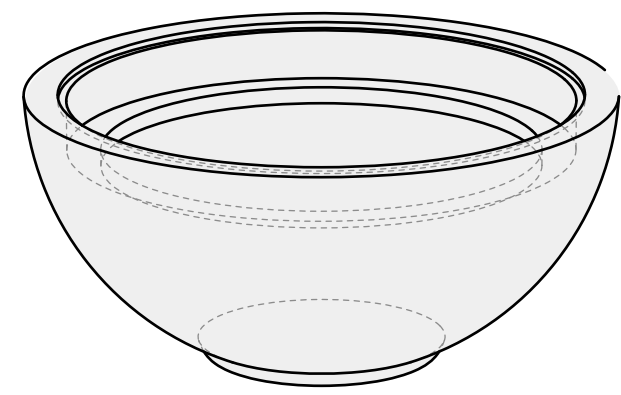
AUTHOR	DATE
LC	12/17/2020

NOTES:
-

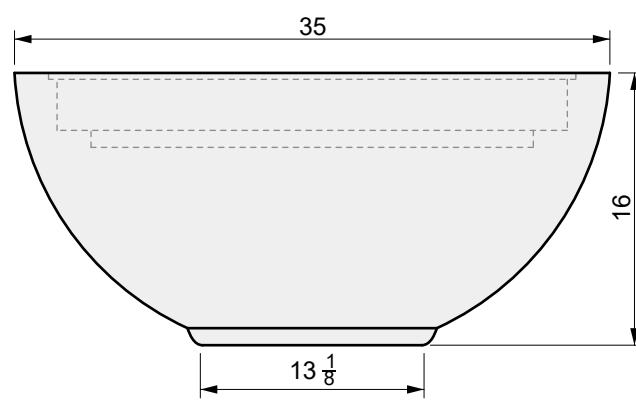
SHEET NO.
A01



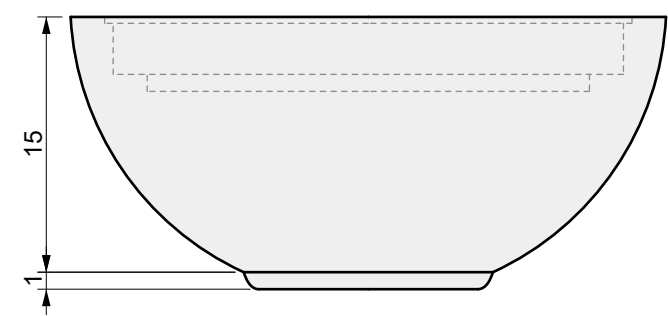
01 TOP VIEW



04 PERSPECTIVE



02 FRONT VIEW



03 SIDE VIEW



575 Naples Road
Mendota, CA 93640

info@wetstonedesign.co
559-269-7363

PROJECT NAME:
Firepit Toba Agudo 35 in

ARCHITECT / DESIGNER:
Luis C

DRAWING PACKAGE:
Parts for Firepit Toba Agudo
35 in

SHEET CONTENTS:
Burner Setting

MATERIAL:
-

FINISHING:
-

COLOR:
-

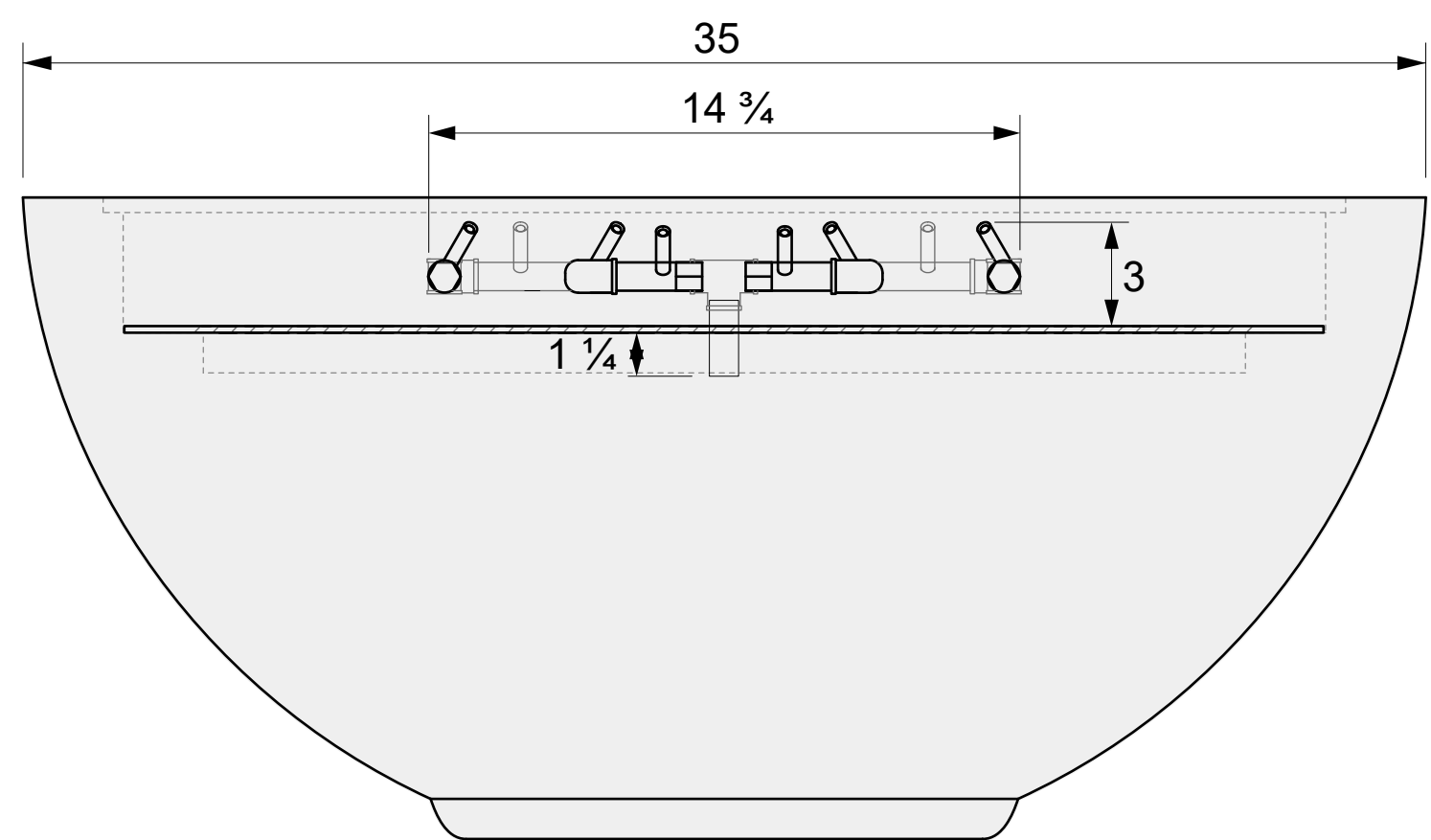
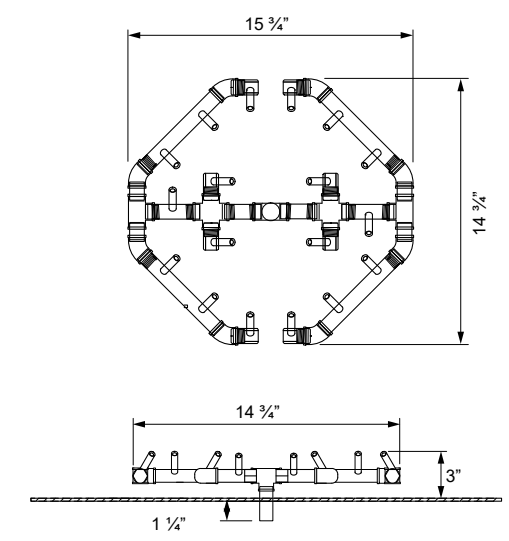
AUTHOR	DATE
LC	12/17/2020

NOTES:
-

SHEET NO.
A02

BURNER MODEL

OCTAGONAL CFBO180
Dimensions: 15.75" x 14.25"
180,000 BTU



01 SIDE VIEW

A

B

C

D



575 Naples Road
Mendota, CA 93640

info@wetstonedesign.co
559-269-7363

PROJECT NAME:
Firepit Toba Agudo 35 in

ARCHITECT / DESIGNER:
Luis C

DRAWING PACKAGE:
Parts for Firepit Toba Agudo
35 in

SHEET CONTENTS:
Aluminum Top

MATERIAL:
Aluminum Sheet 1/4 in

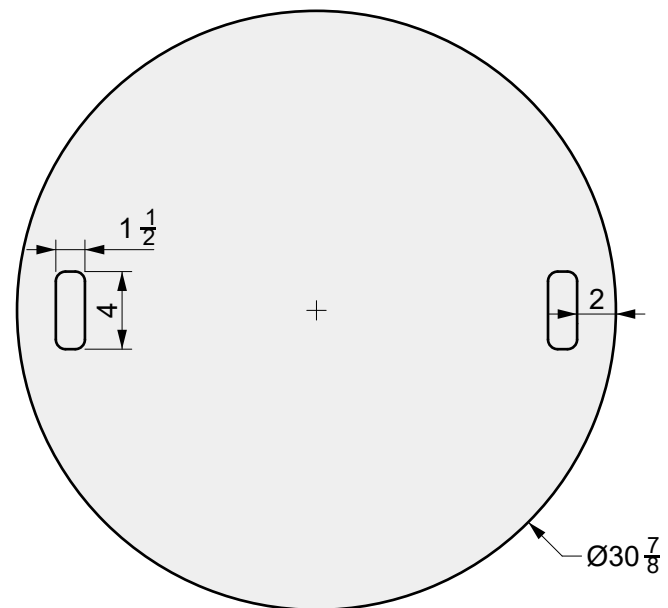
FINISHING:
-

COLOR:
-

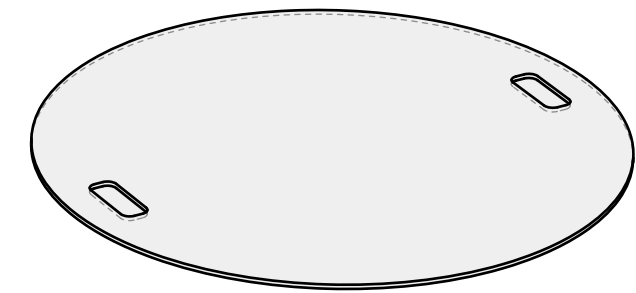
AUTHOR	DATE
LC	12/17/2020

NOTES:
-

SHEET NO.
A03



01 TOP VIEW



03 PERSPECTIVE



02 FRONT VIEW



575 Naples Road
Mendota, CA 93640

info@wetstonedesign.co
559-269-7363

PROJECT NAME:
Firepit Toba Agudo 35 in

ARCHITECT / DESIGNER:
Luis C

DRAWING PACKAGE:
Parts for Firepit Toba Agudo
35 in

SHEET CONTENTS:
Stainless Steel Plate

MATERIAL:
1/16 in Stainless Steel Sheet

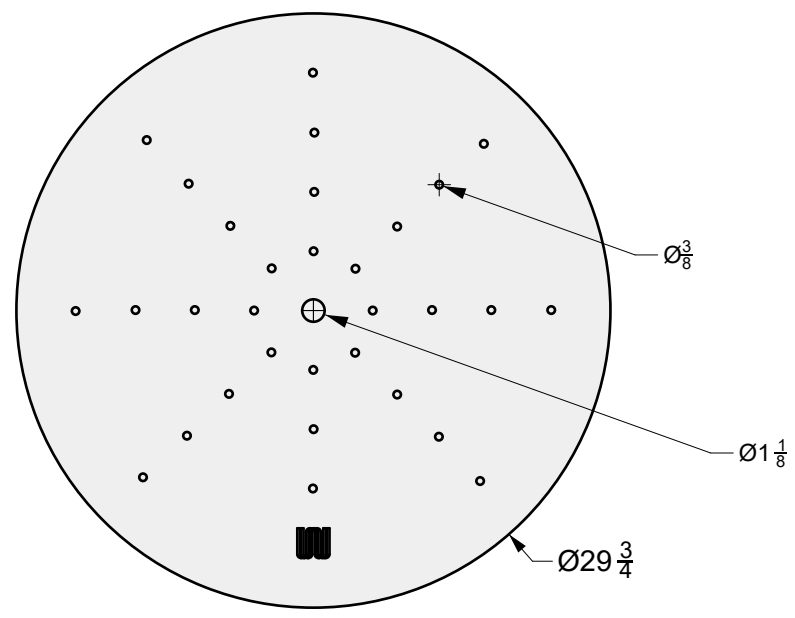
FINISHING:
-

COLOR:
-

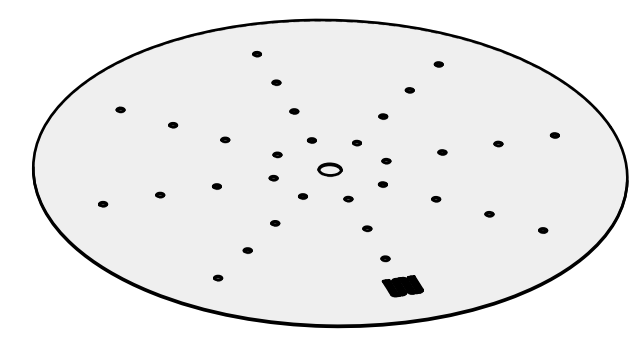
AUTHOR	DATE
LC	12/17/2020

NOTES:
-

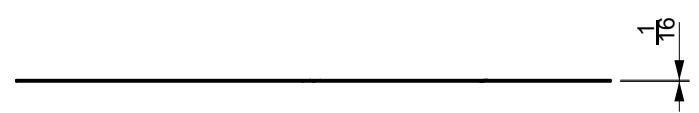
SHEET NO.
A04



01 TOP VIEW



03 PERSPECTIVE



02 FRONT VIEW