



575 Naples Road
Mendota, CA 93640

info@wetstonedesign.co
559-269-7363

PROJECT NAME:
Firepit Toba 52 in

ARCHITECT / DESIGNER:
Luis C

DRAWING PACKAGE:
Parts for Firepit Toba 52 in

SHEET CONTENTS:
Final Drawing

MATERIAL:
Concrete

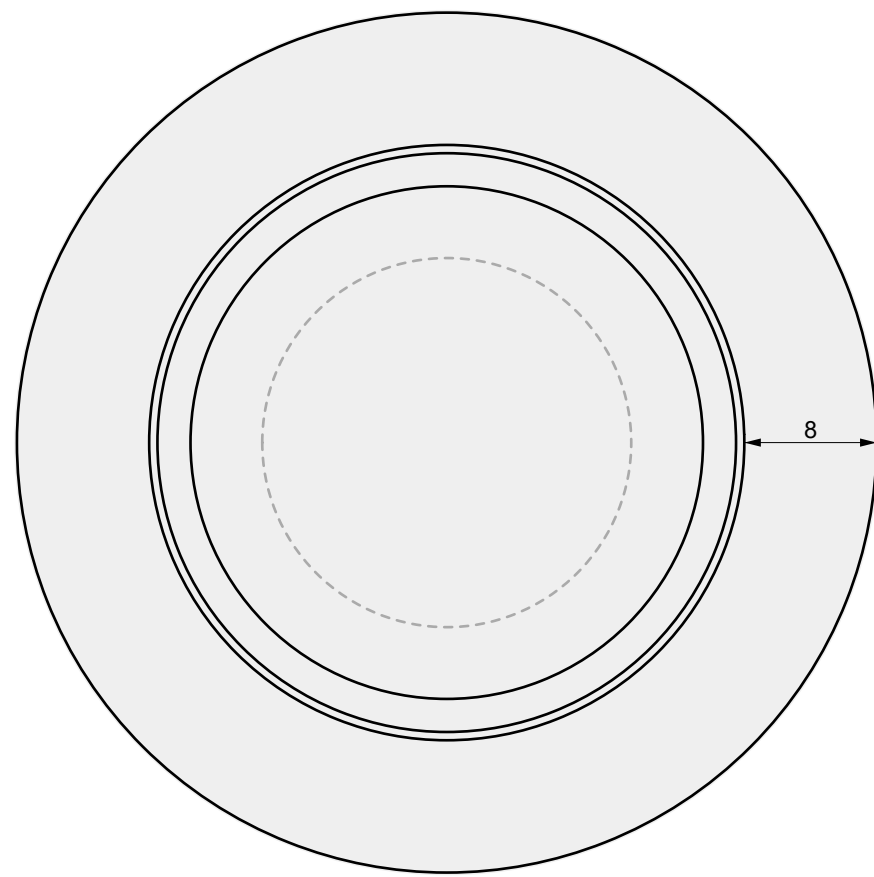
FINISHING:
-

COLOR:
-

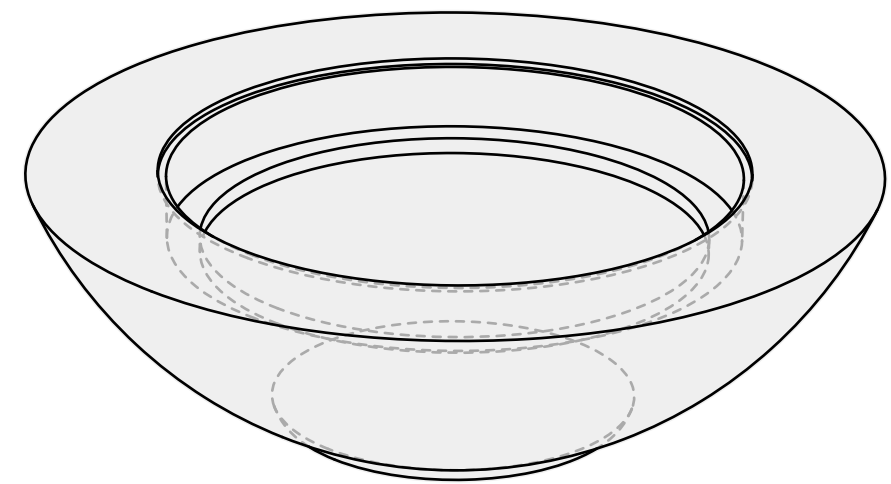
AUTHOR	DATE
LC	01/31/2022

NOTES:
-

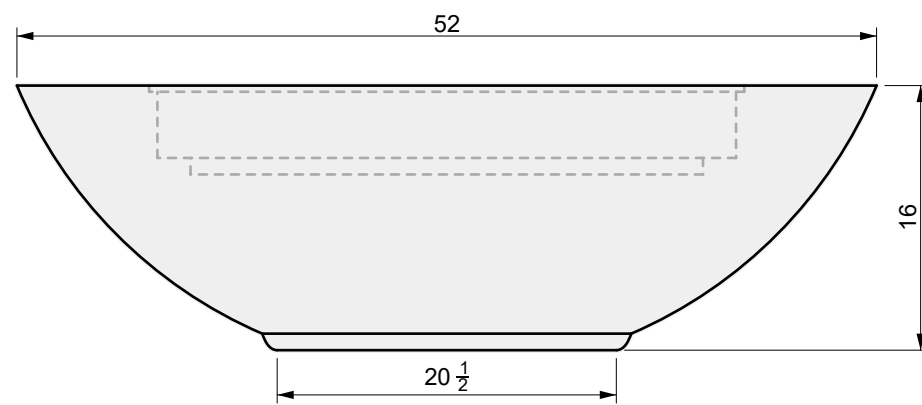
SHEET NO.
A01



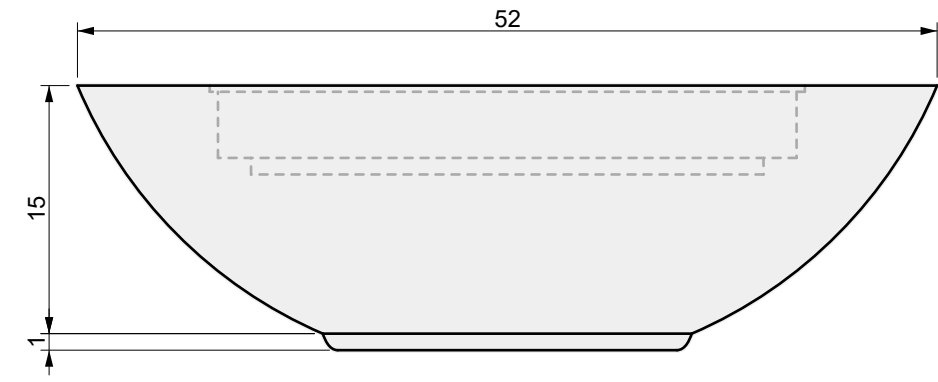
01 TOP VIEW



04 PERSPECTIVE



02 FRONT VIEW



03 SIDE VIEW



575 Naples Road
Mendota, CA 93640

info@wetstonedesign.co
559-269-7363

PROJECT NAME:
Firepit Toba 52 in

ARCHITECT / DESIGNER:
Luis C

DRAWING PACKAGE:
Parts for Firepit Toba 52 in

SHEET CONTENTS:
Burner Setting

MATERIAL:
-

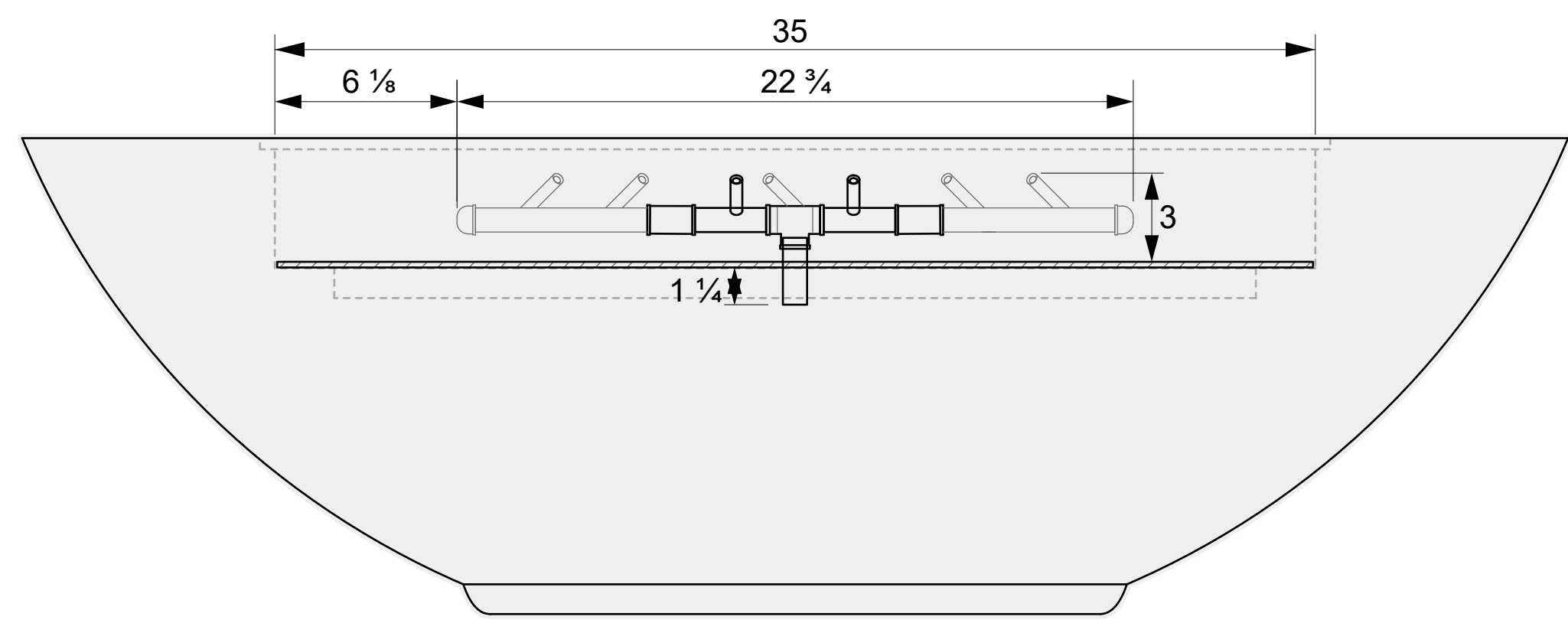
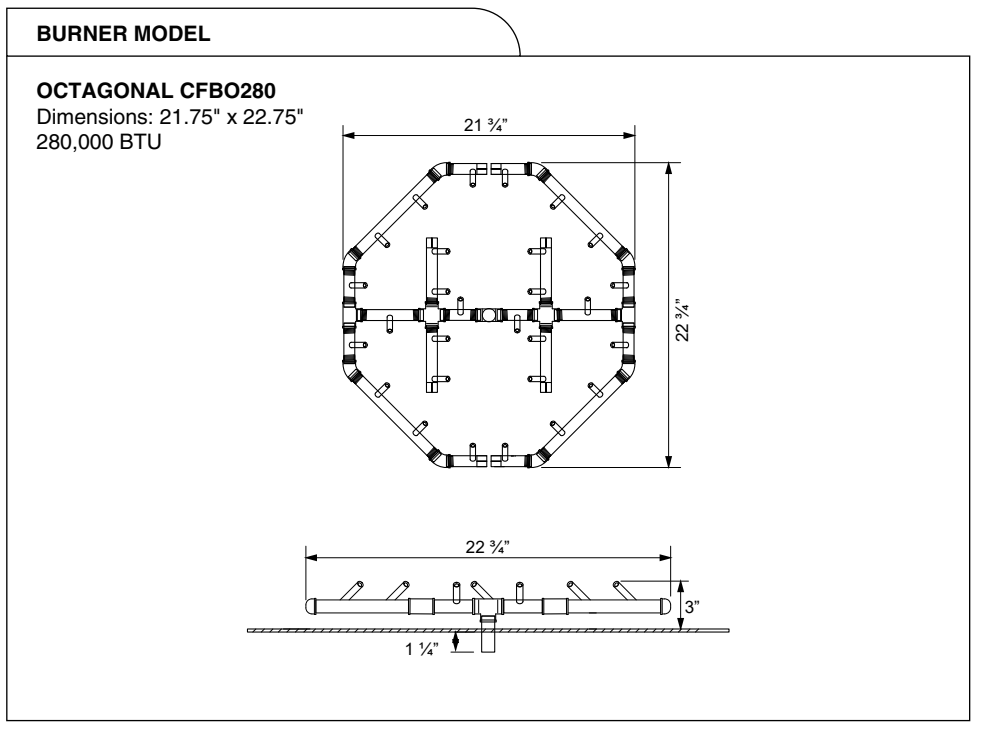
FINISHING: 01/31/2022

COLOR:
-

AUTHOR	DATE
LC	

NOTES:
-

SHEET NO.
A02



01 SIDE VIEW

A

B

C

D



575 Naples Road
Mendota, CA 93640

info@wetstonedesign.co
559-269-7363

PROJECT NAME:
Firepit Toba 52 in

ARCHITECT / DESIGNER:
Luis C

DRAWING PACKAGE:
Parts for Firepit Toba 52 in

SHEET CONTENTS:
Aluminum Top

MATERIAL:
1/4 in Aluminim Sheet

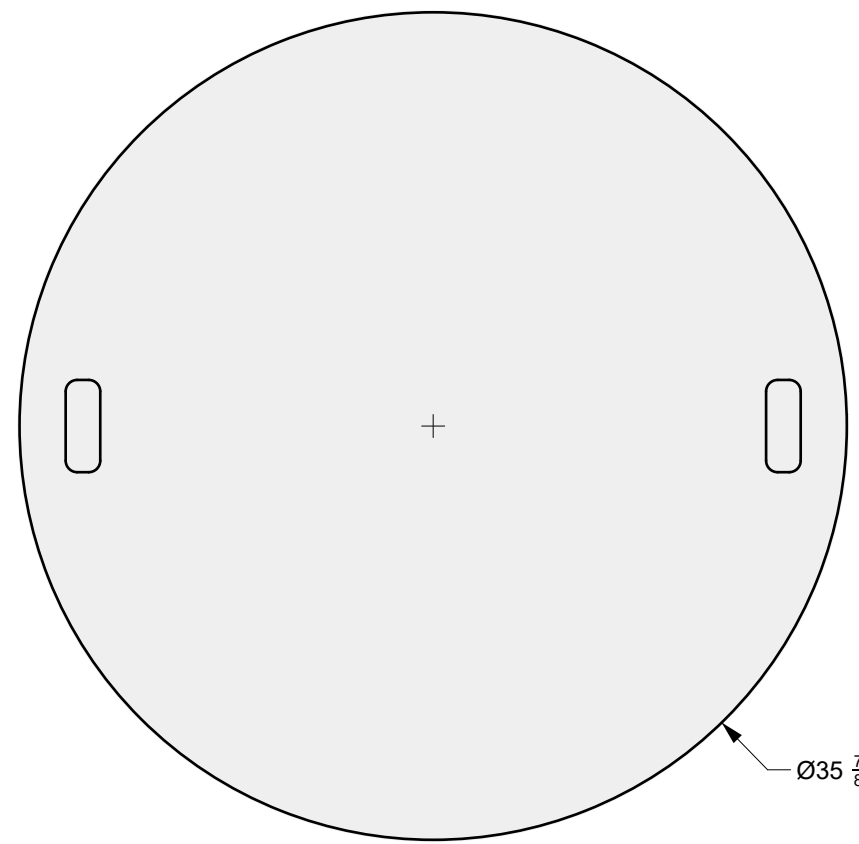
FINISHING: 01/31/2022

COLOR:

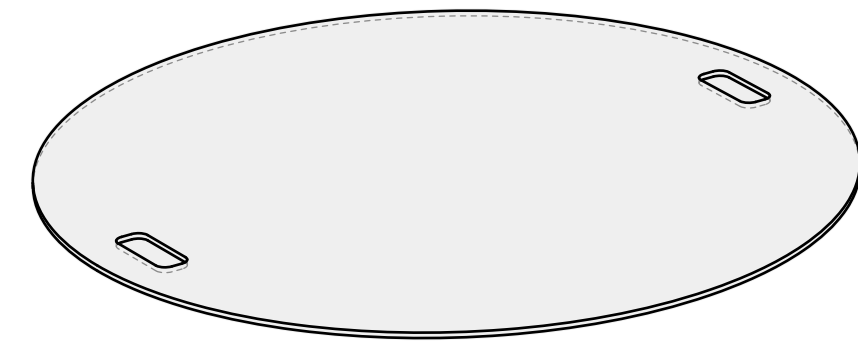
AUTHOR	DATE
LC	

NOTES:

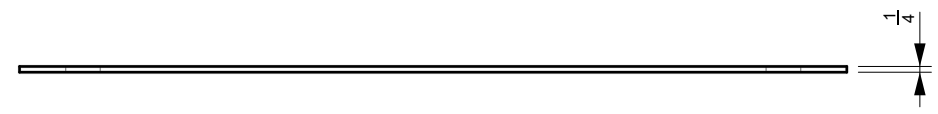
SHEET NO.
A03



01 TOP VIEW



03 PERSPECTIVE



02 FRONT VIEW



575 Naples Road
Mendota, CA 93640

info@wetstonedesign.co
559-269-7363

PROJECT NAME:
Firepit Toba 52 in

ARCHITECT / DESIGNER:
Luis C

DRAWING PACKAGE:
Parts for Firepit Toba 52 in

SHEET CONTENTS:
Stainless Steel Plate

MATERIAL:
1/8 in Stainless Steel Sheet

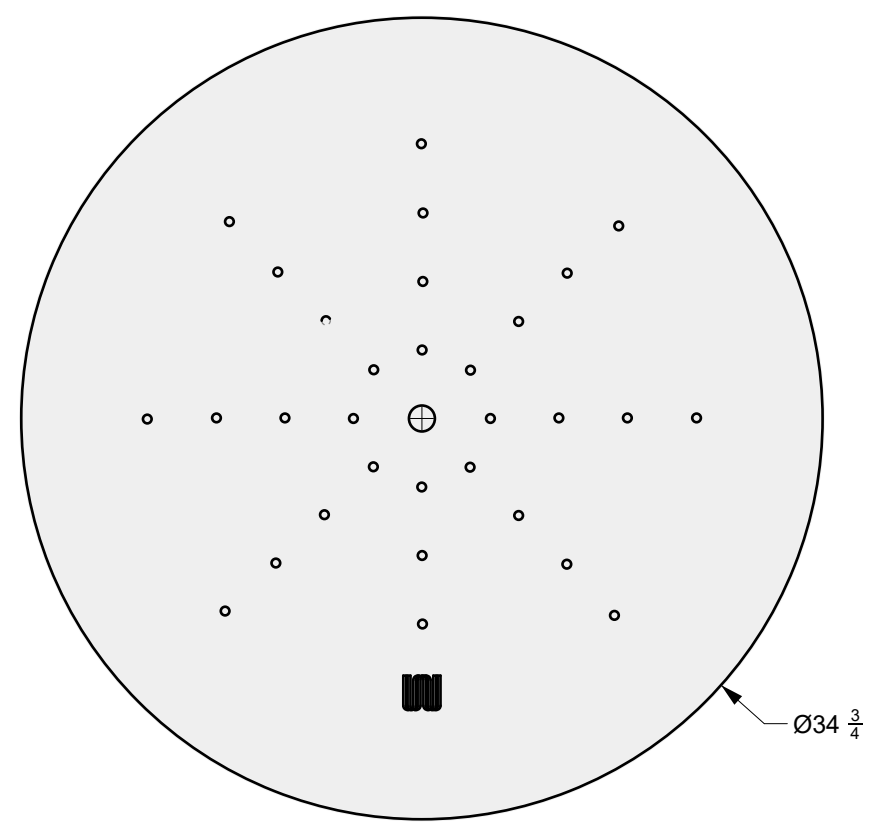
FINISHING:
-

COLOR:
-

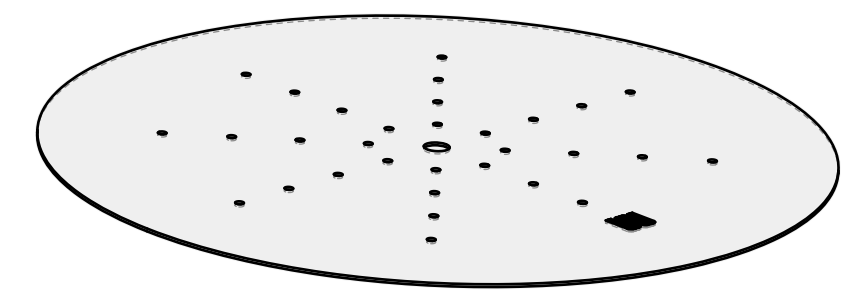
AUTHOR	DATE
LC	01/31/2022

NOTES:
-

SHEET NO.
A04



01 TOP VIEW



03 PERSPECTIVE



02 FRONT VIEW