



575 Naples Road
Mendota, CA 93640

info@wetstonedesign.co
559-269-7363

PROJECT NAME:
Firepit Oblica Round 65 in

ARCHITECT / DESIGNER:
Luis C

DRAWING PACKAGE:
Parts for Firepit Oblica Round
65 in

SHEET CONTENTS:
Final Drawing

MATERIAL:
Concrete

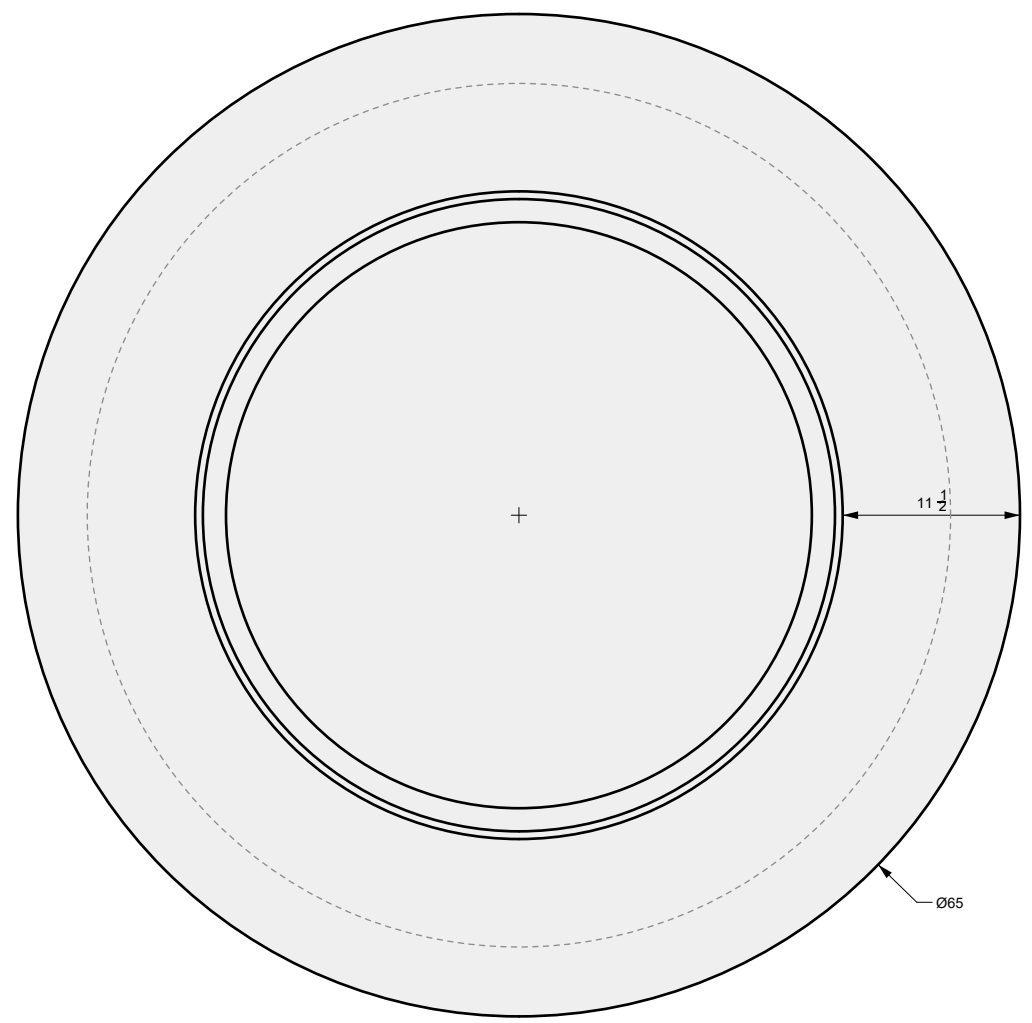
FINISHING:
-

COLOR:
-

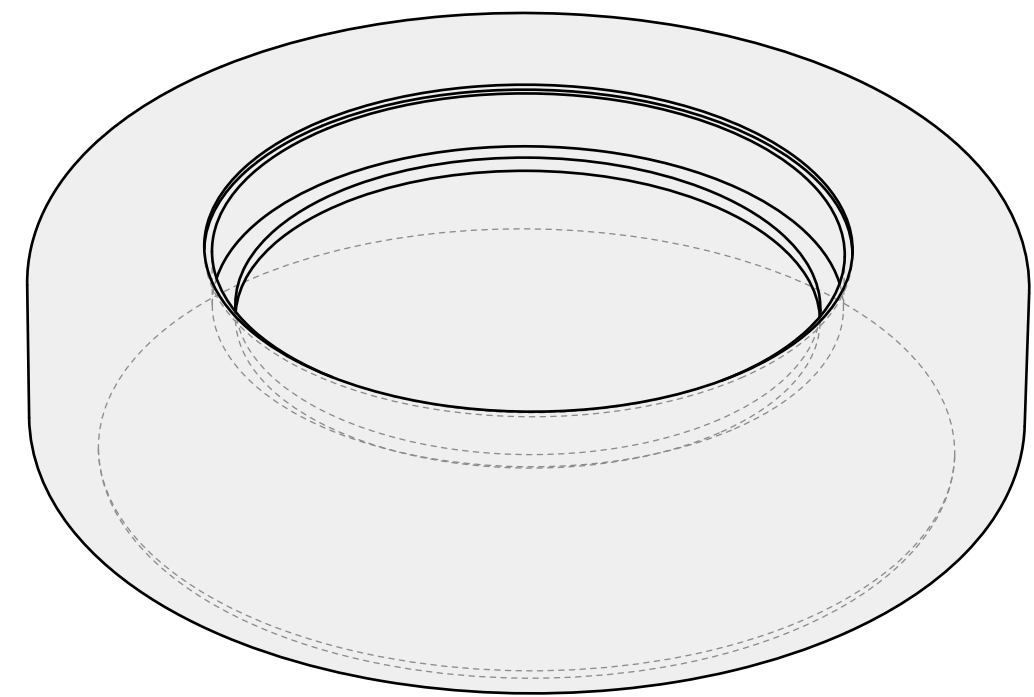
AUTHOR	DATE
LC	02/13/2021

NOTES:
-

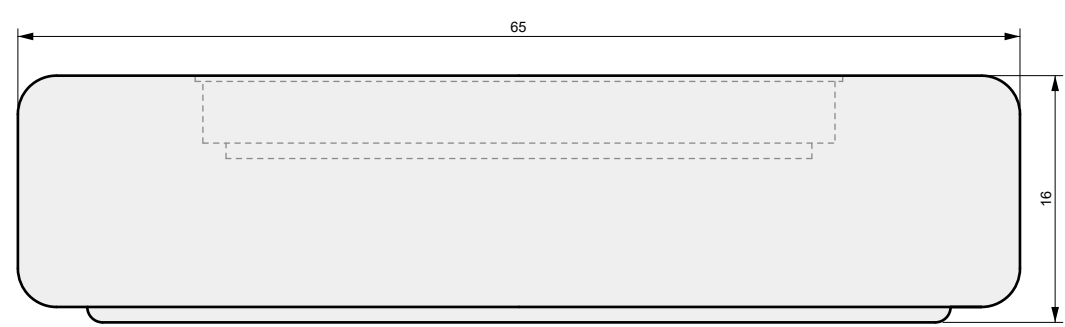
SHEET NO.
A01



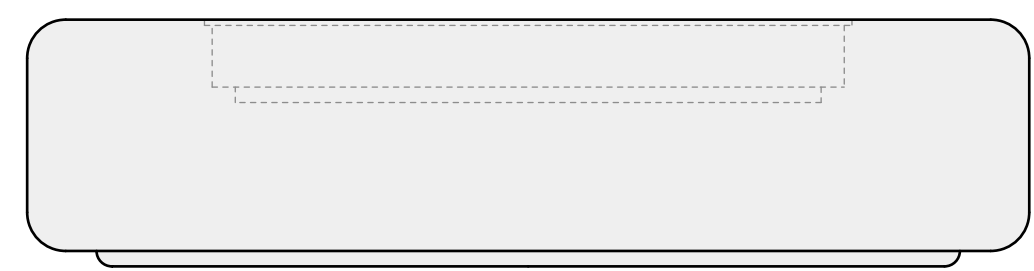
01 TOP VIEW



04 PERSPECTIVE



02 FRONT VIEW



03 SIDE VIEW

A

B

C

D



575 Naples Road
Mendota, CA 93640

info@wetstonedesign.co
559-269-7363

PROJECT NAME:
Firepit Oblica Round 65 in

ARQUITECT / DESIGNER:
Luis C

DRAWING PACKAGE:
Parts for Firepit Oblica Round 65 in

SHEET CONTENTS:
Final Drawing

MATERIAL:
Concrete

FINISHING:
-

COLOR:
-

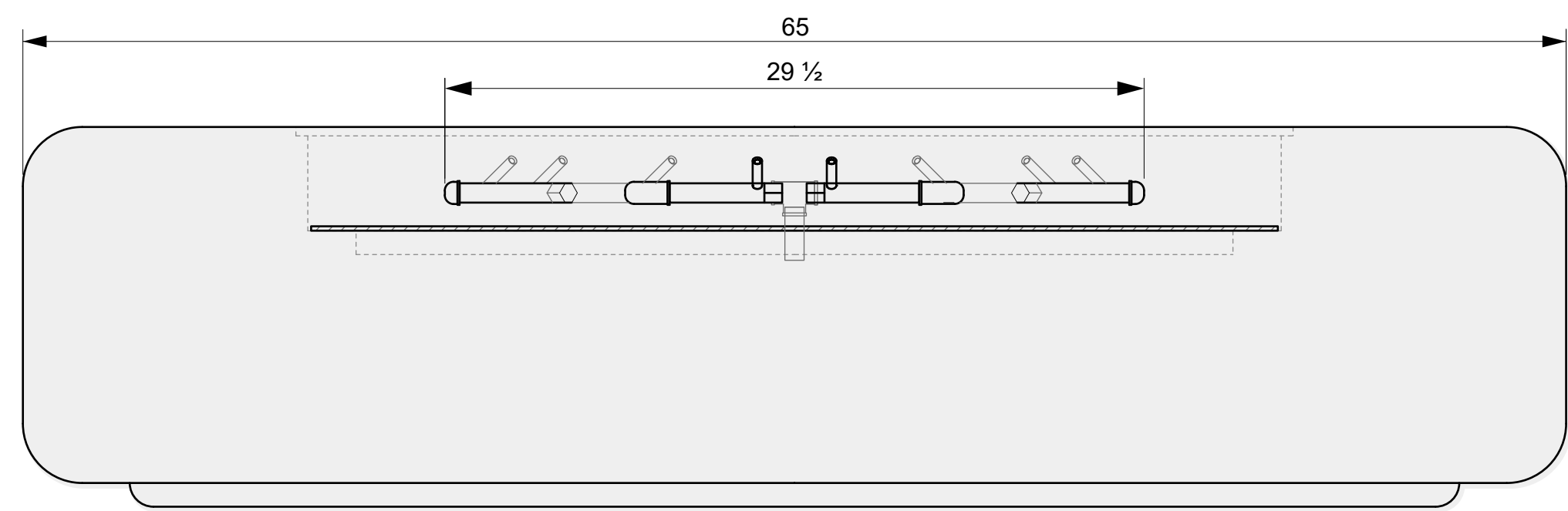
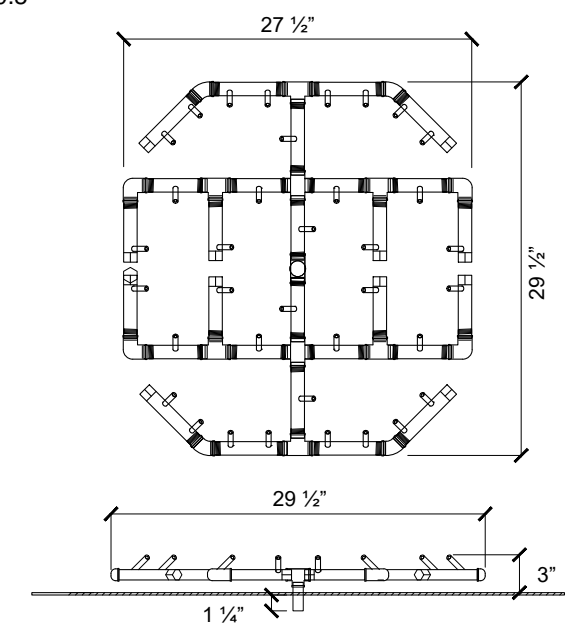
AUTHOR	DATE
LC	02/13/2021

NOTES:
-

SHEET NO.
A02

BURNER MODEL

OCTAGONAL CFBO360
Dimensions: 27.5" x 29.5"
360,000 BTU



01 SIDE VIEW

A

B

C

D



575 Naples Road
Mendota, CA 93640

info@wetstonedesign.co
559-269-7363

PROJECT NAME:
Firepit Oblica Round 65 in

ARCHITECT / DESIGNER:
Luis C

DRAWING PACKAGE:
Parts for Firepit Oblica Round 65 in

SHEET CONTENTS:
Aluminum Top

MATERIAL:
1/4 in Aluminum Sheet

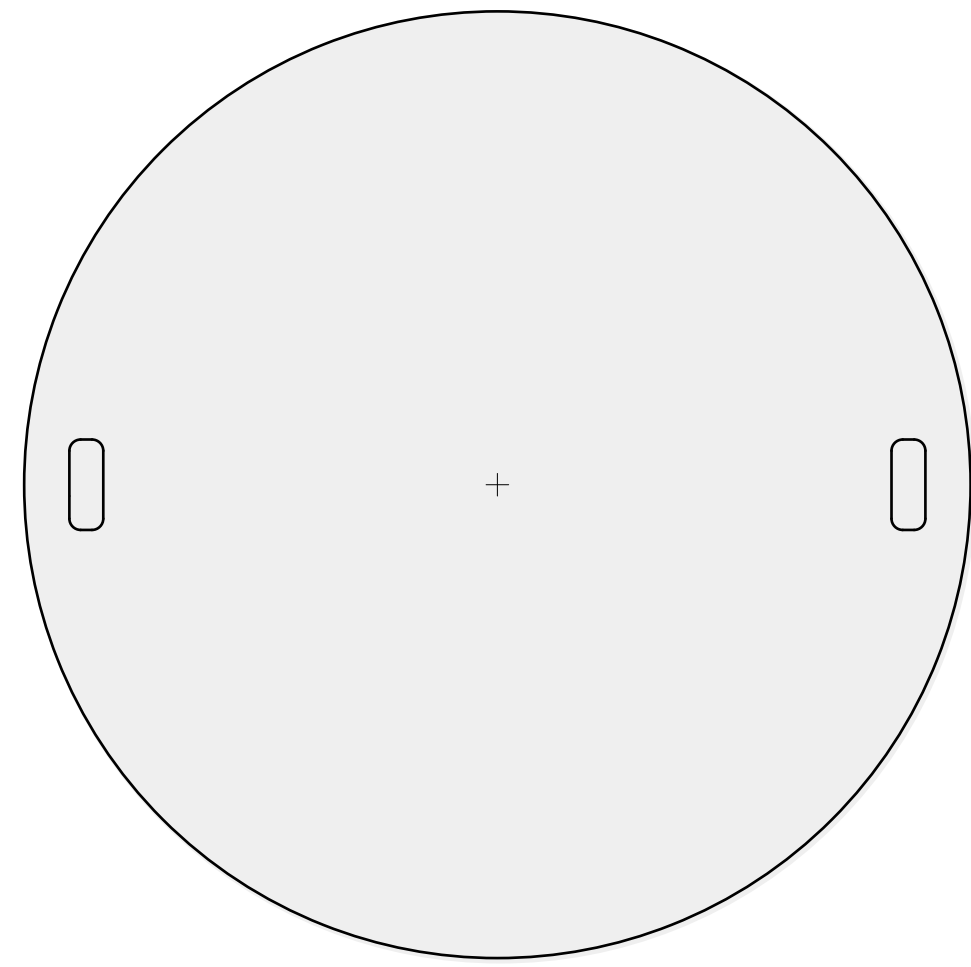
FINISHING:
-

COLOR:
-

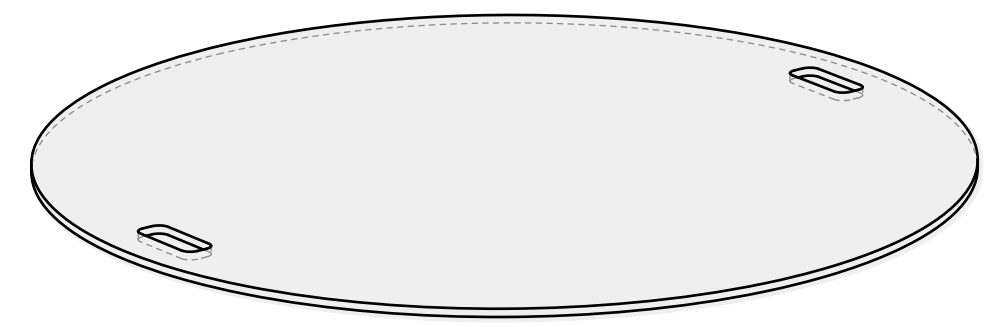
AUTHOR	DATE
LC	02/13/2021

NOTES:
-

SHEET NO.
A03



01 TOP VIEW



03 PERSPECTIVE



02 FRONT VIEW



575 Naples Road
Mendota, CA 93640

info@wetstonedesign.co
559-269-7363

PROJECT NAME:
Firepit Oblica Round 65 in

ARCHITECT / DESIGNER:
Luis C

DRAWING PACKAGE:
Parts for Firepit Oblica Round
65 in

SHEET CONTENTS:
Stainless Steel Plate

MATERIAL:
1/8 in Stainless Steel Sheet

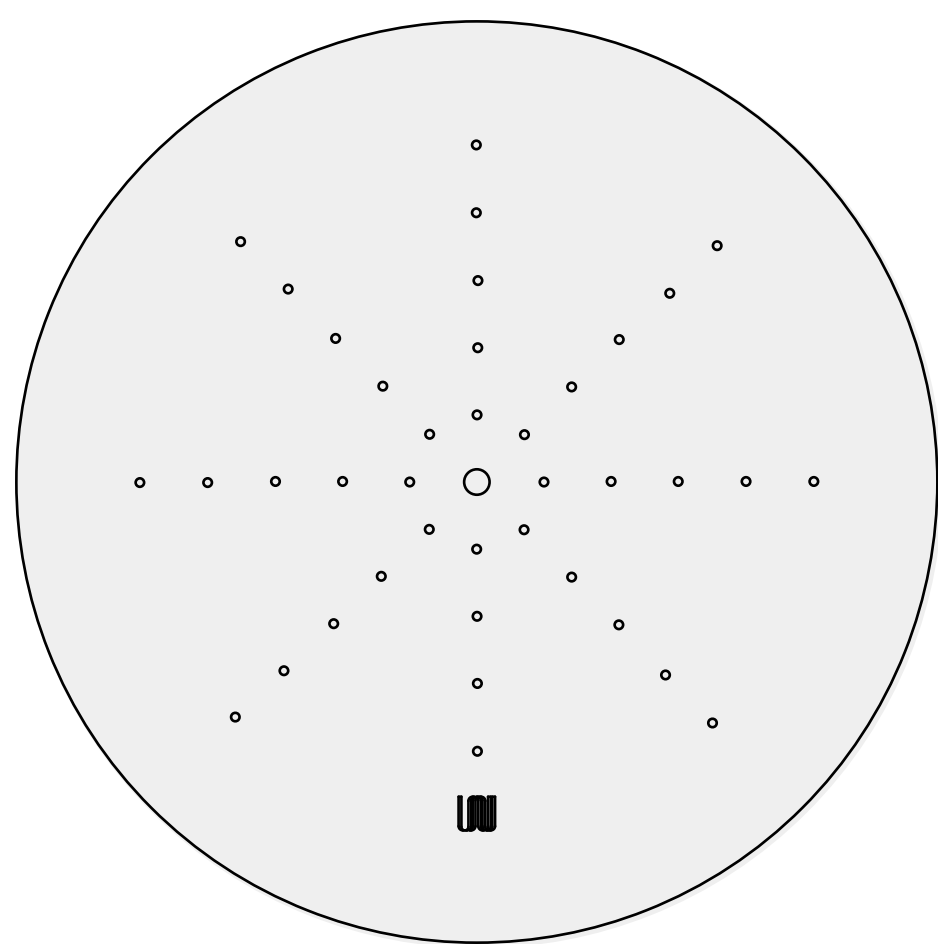
FINISHING:
-

COLOR:
-

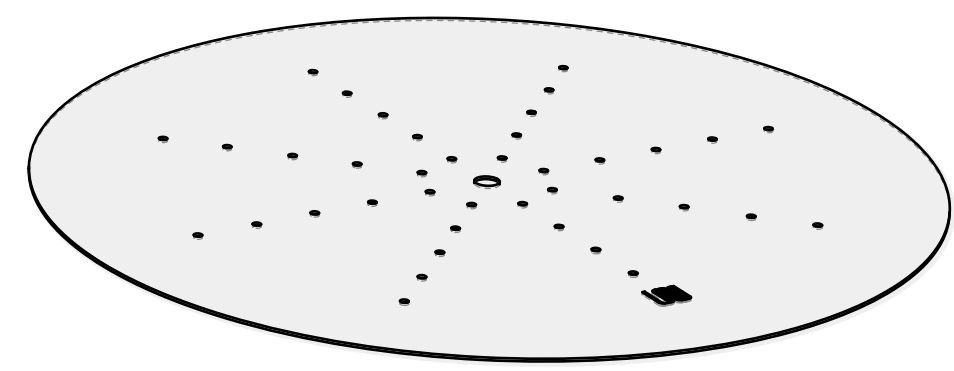
AUTHOR	DATE
LC	02/13/2021

NOTES:
-

SHEET NO.
A04



01 TOP VIEW



03 PERSPECTIVE

02 FRONT VIEW