



575 Naples Road  
Mendota, CA 93640

info@wetstonedesign.co  
559-269-7363

**PROJECT NAME:**  
Firepit Oblica 45

**ARCHITECT / DESIGNER:**  
Luis C

**DRAWING PACKAGE:**  
Parts for Firepit Oblica 45

**SHEET CONTENTS:**  
Final Drawing

**MATERIAL:**  
Concrete

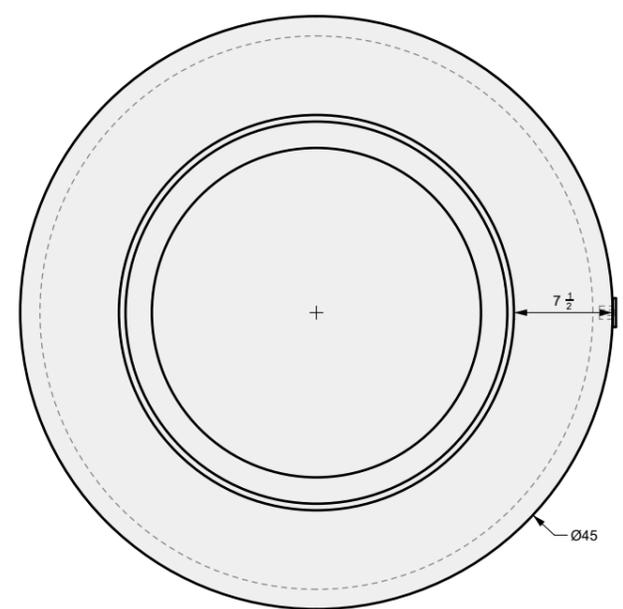
**FINISHING:**  
-

**COLOR:**  
-

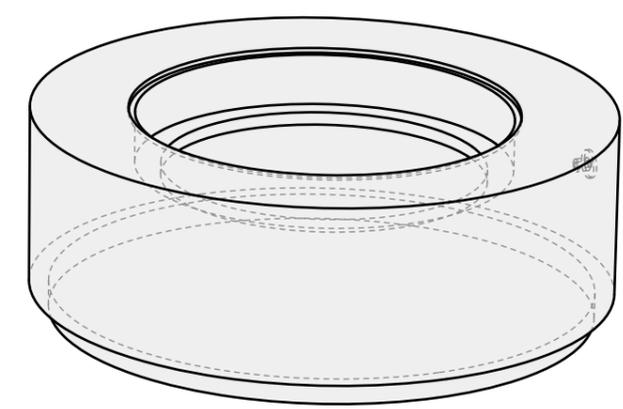
AUTHOR	DATE
LC	

**NOTES:**  
-

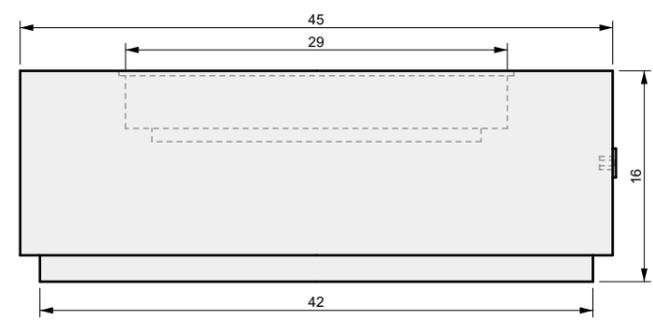
SHEET NO.  
**A01**



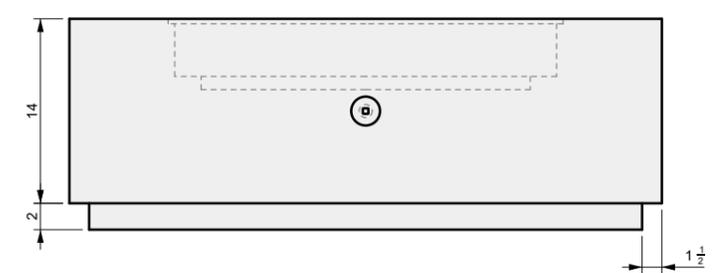
**01 TOP VIEW**



**04 PERSPECTIVE**



**02 FRONT VIEW**



**03 SIDE VIEW**



575 Naples St.  
Mendota, CA 93640

info@wetstonedesign.co  
559-269-7363

**PROJECT NAME:**  
Firepit Oblica 45

**ARCHITECT / DESIGNER:**  
Luis C

**DRAWING PACKAGE:**  
Parts for Firepit Oblica 45

**SHEET CONTENTS:**  
Burner Setting

**MATERIAL:**  
-

**FINISHING:**  
-

**COLOR:**  
-

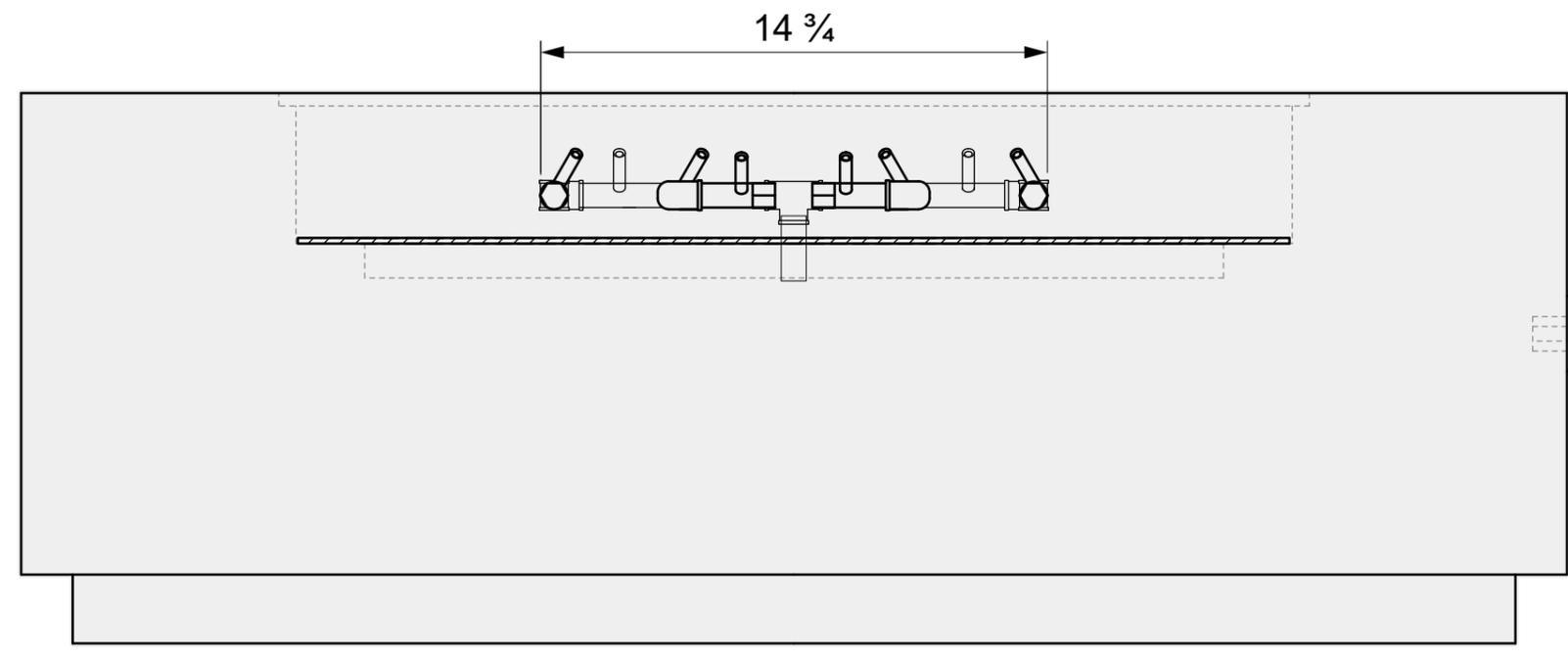
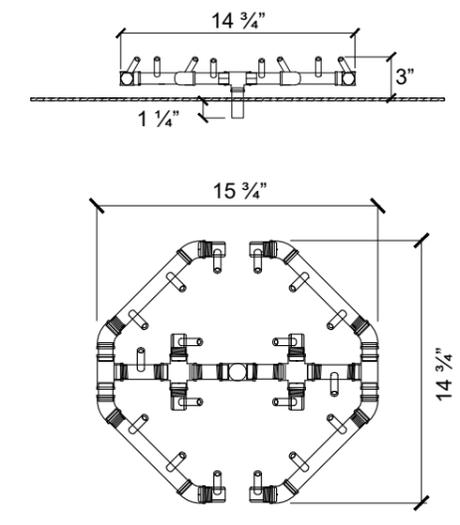
AUTHOR	DATE
LC	

**NOTES:**  
-

SHEET NO.  
**A02**

**BURNER MODEL**

**OCTAGONAL CFBO180**  
Dimensions: 15.75" x 14.75"  
180,000 BTU



**01 SIDE VIEW**

A

B

C

D



**WETSTONE**  
DESIGN COMPANY

575 Naples St.  
Mendota, CA 93640

info@wetstonedesign.co  
559-269-7363

**PROJECT NAME:**  
Firepit Oblica 45

**ARCHITECT / DESIGNER:**  
Luis C

**DRAWING PACKAGE:**  
Parts for Firepit Oblica 45

**SHEET CONTENTS:**  
Aluminum Top

**MATERIAL:**  
1/4" Aluminum Sheet

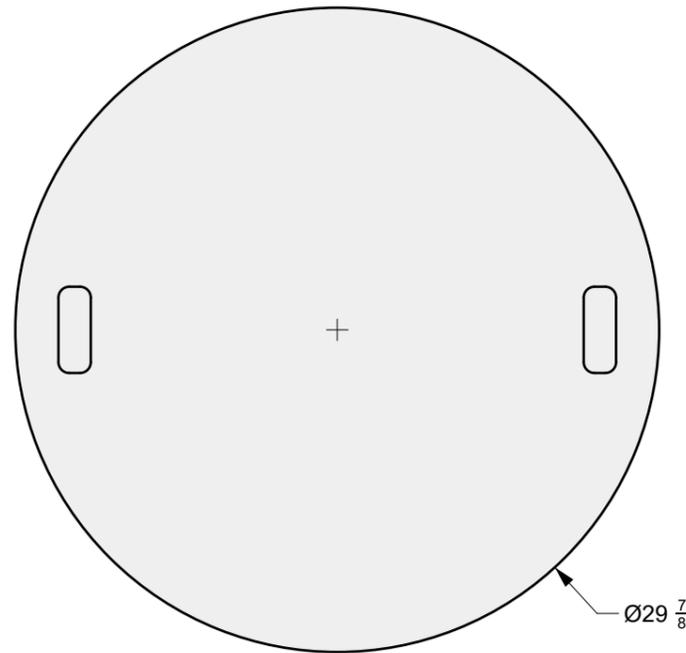
**FINISHING:**  
-

**COLOR:**  
-

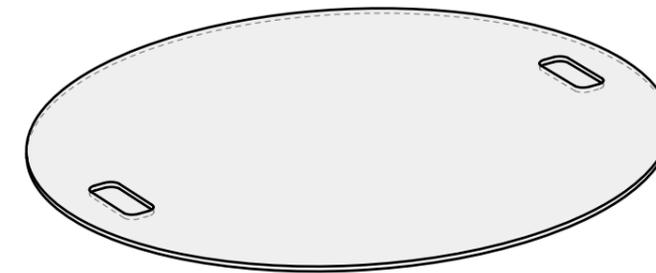
AUTHOR	DATE
LC	

**NOTES:**  
-

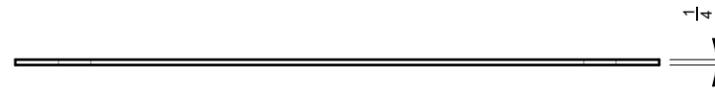
SHEET NO.  
**A03**



01 TOP VIEW



03 PERSPECTIVE



02 FRONT VIEW



575 Naples St.  
Mendota, CA 93640

info@wetstonedesign.co  
559-269-7363

**PROJECT NAME:**  
Firepit Oblica 45

**ARCHITECT / DESIGNER:**  
Luis C

**DRAWING PACKAGE:**  
Parts for Firepit Oblica 45

**SHEET CONTENTS:**  
Stainless Steel Plate

**MATERIAL:**  
1/8 in Stainless Steel Sheet

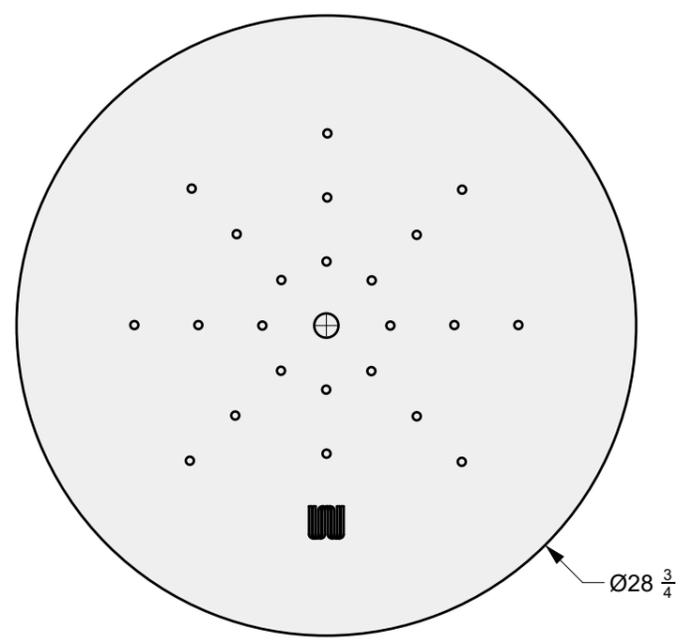
**FINISHING:**  
-

**COLOR:**  
-

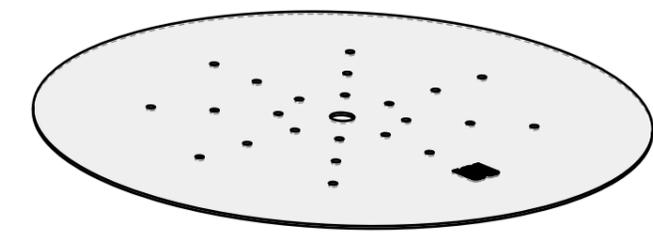
AUTHOR	DATE
LC	

**NOTES:**  
-

SHEET NO.  
**A04**



**01 TOP VIEW**



**03 PERSPECTIVE**



**02 FRONT VIEW**