



575 Naples St.  
Mendota, CA 93640

info@wetstonedesign.co  
559-269-7363

**PROJECT NAME:**  
Firepit Caldera 38 in

**ARCHITECT / DESIGNER:**  
Luis C

**DRAWING PACKAGE:**  
Parts for Firepit Caldera 38

**SHEET CONTENTS:**  
Final Drawing

**MATERIAL:**  
Concrete

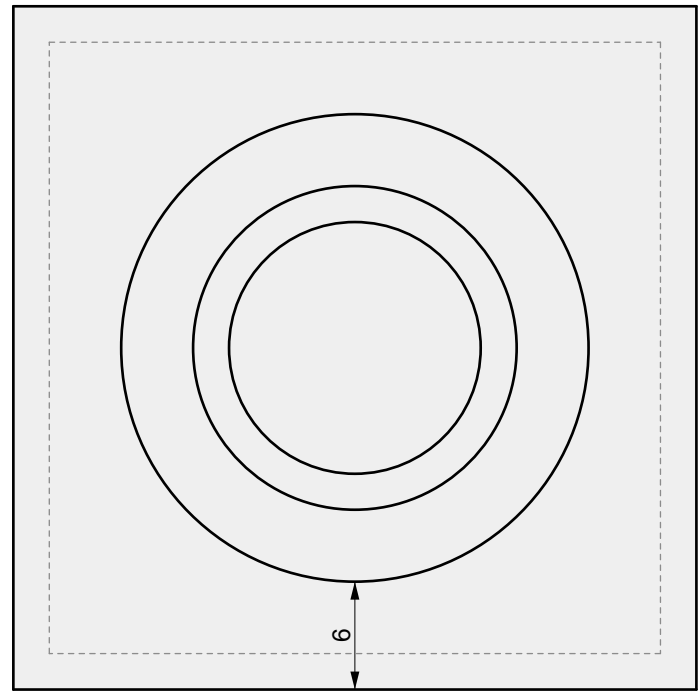
**FINISHING:**  
-

**COLOR:**  
-

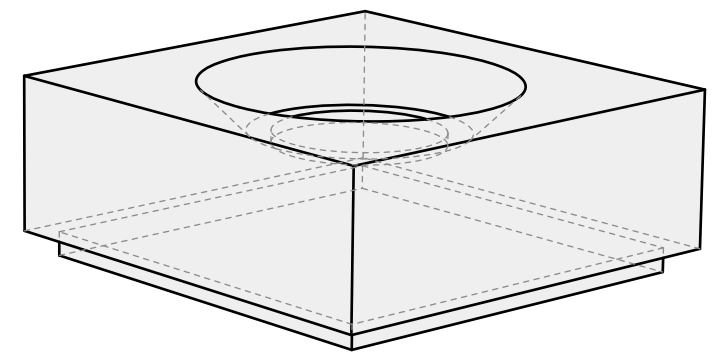
AUTHOR	DATE
LC	01/03/2022

**NOTES:**  
-

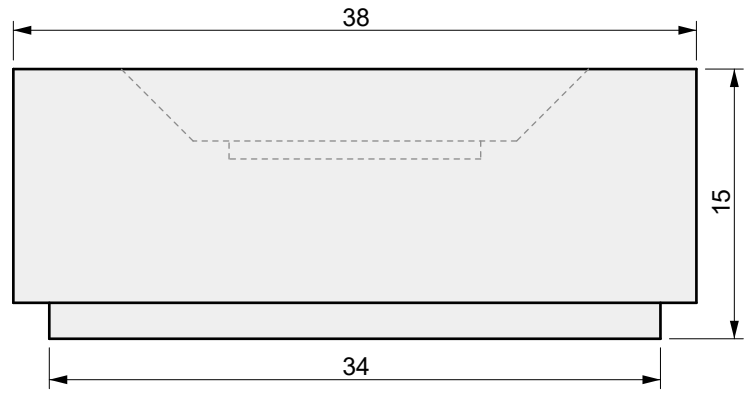
SHEET NO.  
**A01**



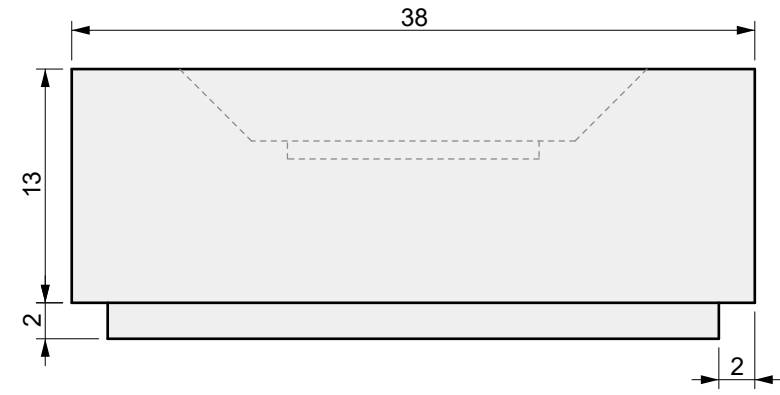
**01 TOP VIEW**



**04 PERSPECTIVE**



**02 FRONT VIEW**



**03 SIDE VIEW**



575 Naples St.  
Mendota, CA 93640

info@wetstonedesign.co  
559-269-7363

**PROJECT NAME:**  
Firepit Caldera 38 in

**ARCHITECT / DESIGNER:**  
Luis C

**DRAWING PACKAGE:**  
Parts for Firepit Caldera 38 in

**SHEET CONTENTS:**  
Burner Setting

**MATERIAL:**  
-

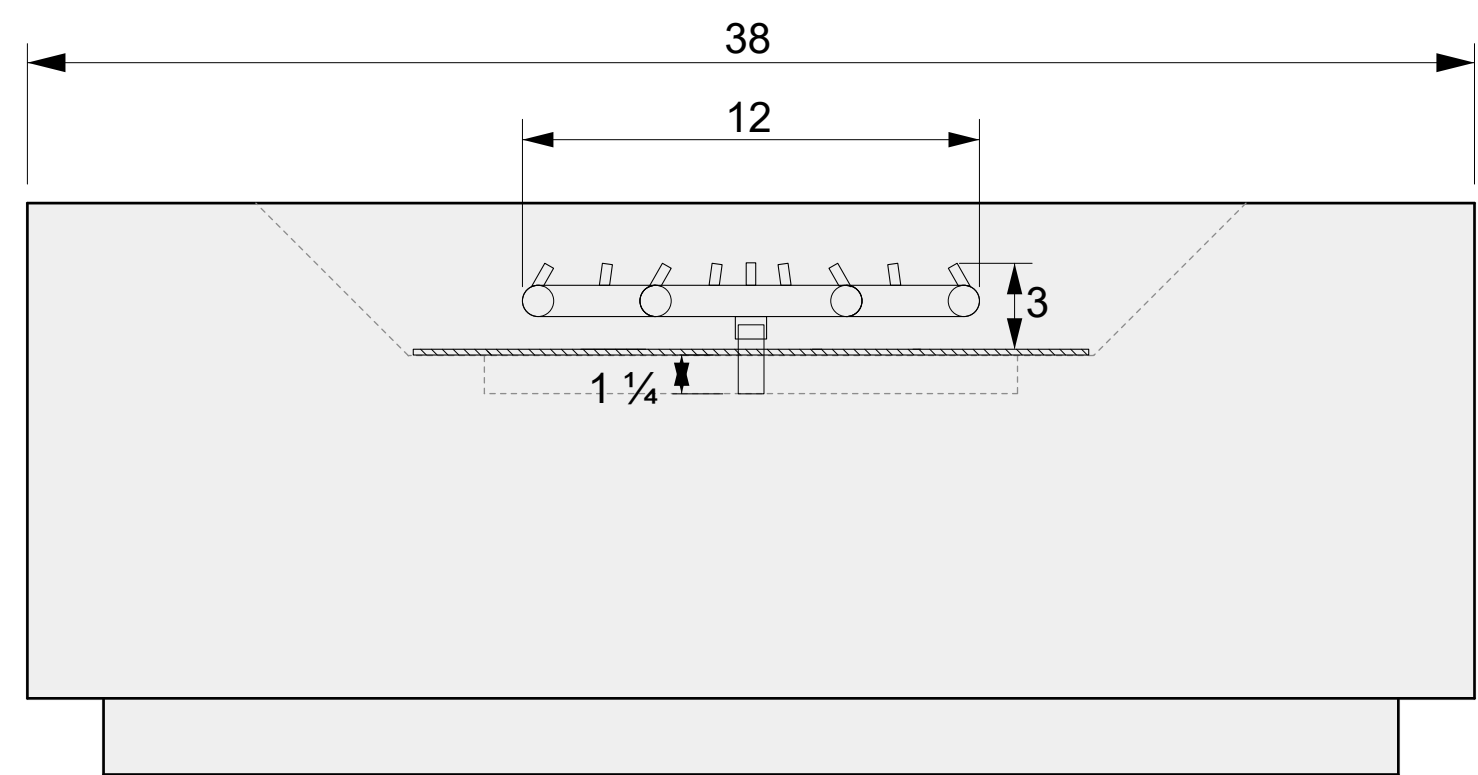
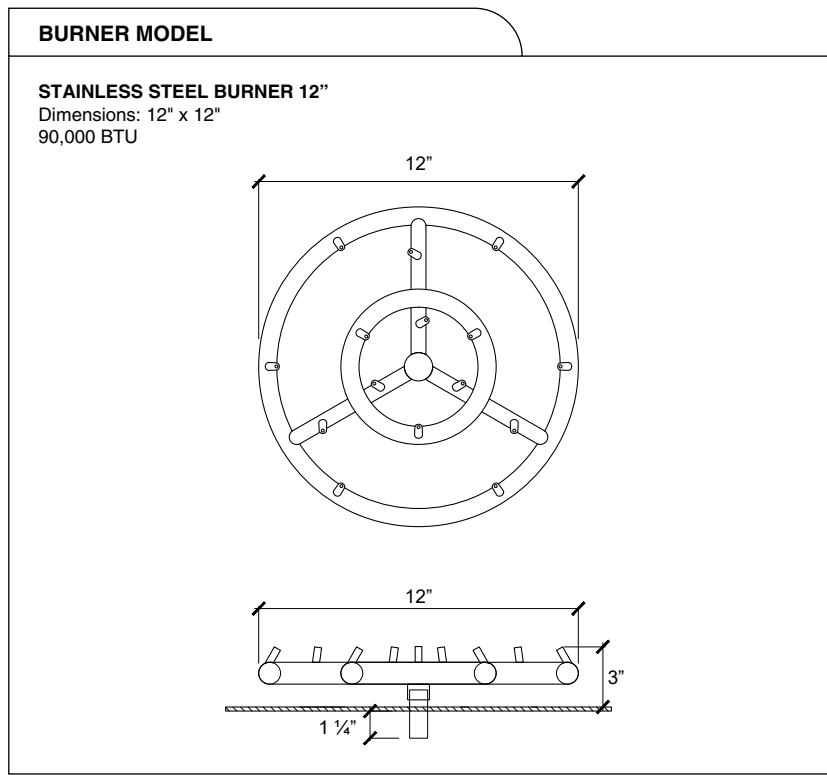
**FINISHING:**  
-

**COLOR:**  
-

AUTHOR	DATE
LC	01/03/2022

**NOTES:**  
-

SHEET NO.  
**A02**



**01 SIDE VIEW**

A

B

C

D



575 Naples St.  
Mendota, CA 93640

info@wetstonedesign.co  
559-269-7363

**PROJECT NAME:**  
Firepit Caldera 38 in

**ARCHITECT / DESIGNER:**  
Luis C

**DRAWING PACKAGE:**  
Parts for Firepit Caldera 38

**SHEET CONTENTS:**  
Stainless Steel Plate

**MATERIAL:**  
1/16 in Stainless Steel Sheet

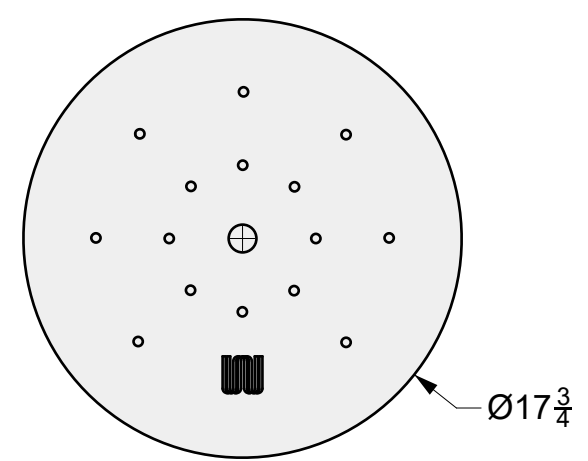
**FINISHING:**  
-

**COLOR:**  
-

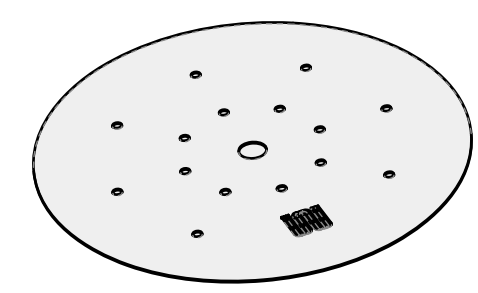
AUTHOR	DATE
LC	01/03/2022

**NOTES:**  
-

SHEET NO.  
**A02**



**01 TOP VIEW**



**03 PERSPECTIVE**



**02 FRONT VIEW**