



575 Naples Road  
Mendota, CA 93640

info@wetstonedesign.co  
559-269-7363

**PROJECT NAME:**  
Firepit Lumera Round Double Gather 65 in

**ARCHITECT / DESIGNER:**  
Luis C

**DRAWING PACKAGE:**  
Parts for Firepit Lumera Round Double Gather 65 in

**SHEET CONTENTS:**  
Final Drawing

**MATERIAL:**  
Concrete

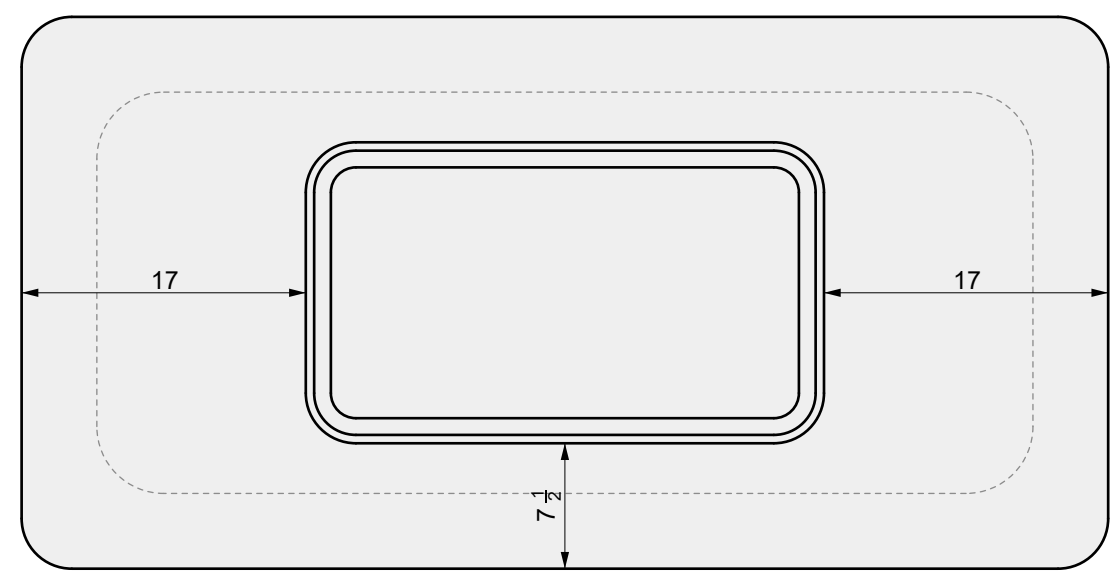
**FINISHING:**  
-

**COLOR:**  
-

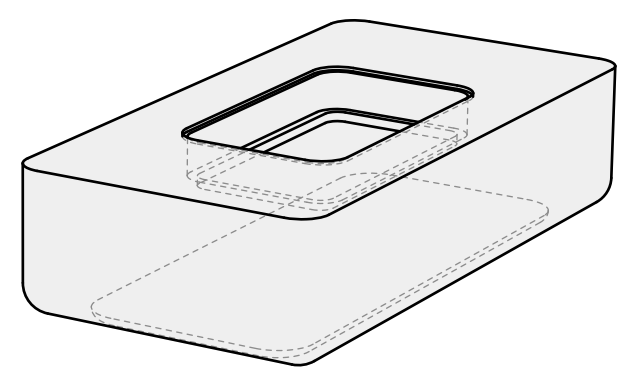
AUTHOR	DATE
LC	22/10/2020

**NOTES:**  
-

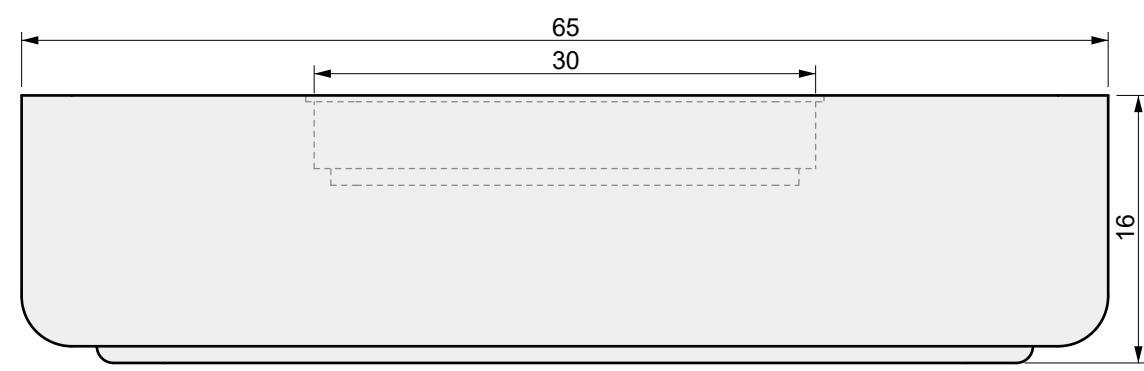
SHEET NO.  
**A01**



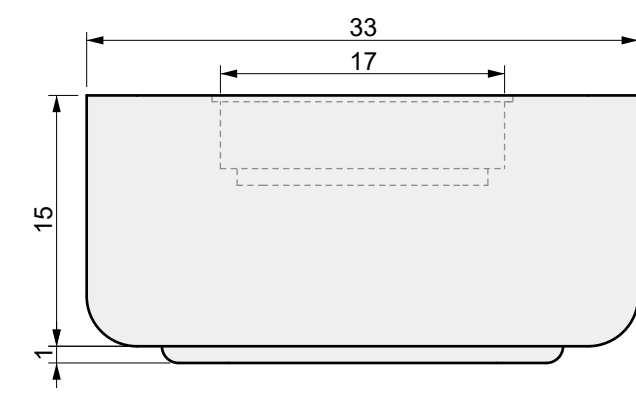
01 TOP VIEW



04 PERSPECTIVE



02 FRONT VIEW



03 SIDE VIEW



575 Naples Road  
Mendota, CA 93640

info@wetstonedesign.co  
559-269-7363

**PROJECT NAME:**  
Firepit Lumera Round Double  
Gather 65 in

**ARCHITECT / DESIGNER:**  
Luis C

**DRAWING PACKAGE:**  
Parts for Firepit Lumera Round  
Double Gather 65 in

**SHEET CONTENTS:**  
Final Drawing

**MATERIAL:**  
Concrete

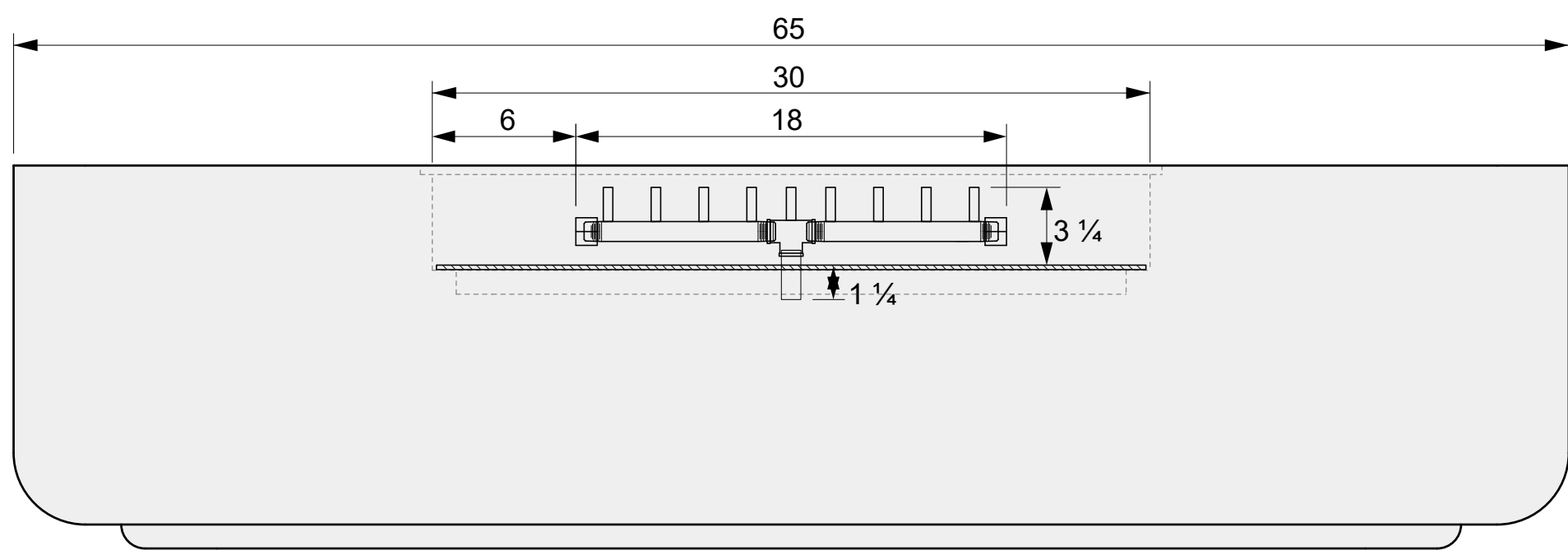
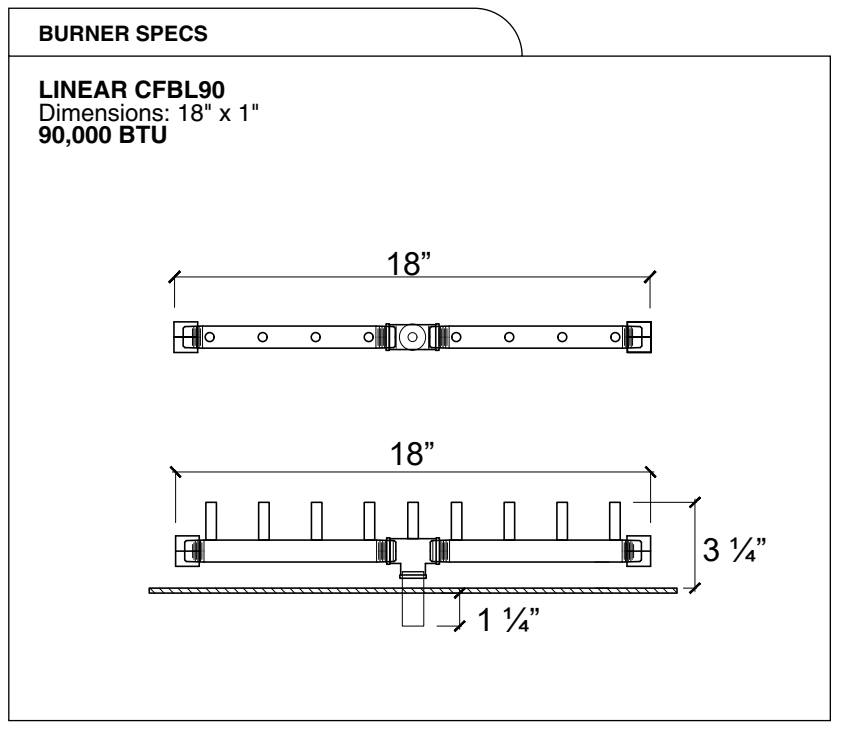
**FINISHING:**  
-

**COLOR:**  
-

AUTHOR	DATE
LC	22/10/2020

**NOTES:**  
-

SHEET NO.  
**A02**



01 SIDE VIEW

A

B

C

D



575 Naples Road  
Mendota, CA 93640

info@wetstonedesign.co  
559-269-7363

**PROJECT NAME:**  
Firepit Lumera Round Double Gather 65 in

**ARCHITECT / DESIGNER:**  
Luis C

**DRAWING PACKAGE:**  
Parts for Firepit Lumera Round Double Gather 65 in

**SHEET CONTENTS:**  
Aluminum Top

**MATERIAL:**  
3/8 Aluminum Sheet

**FINISHING:**  
-

**COLOR:**  
-

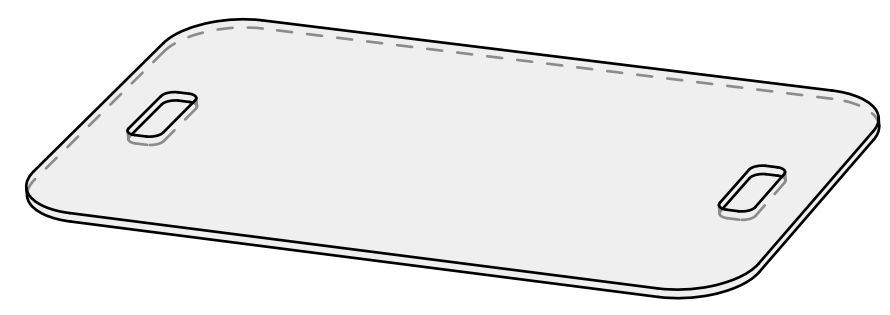
AUTHOR	DATE
LC	22/10/2020

**NOTES:**  
-

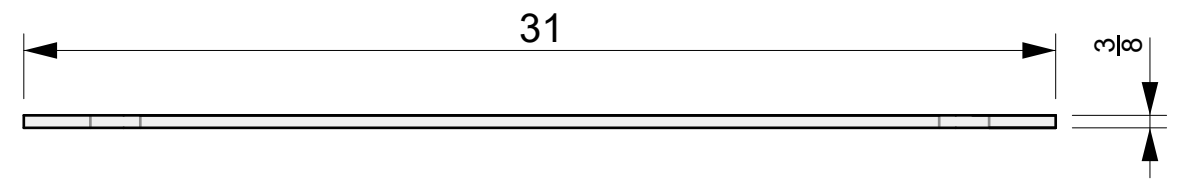
SHEET NO.  
**A01**



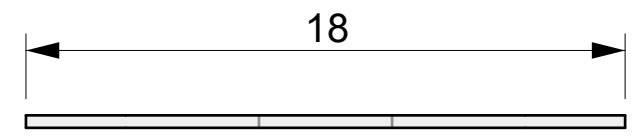
01 TOP VIEW



04 PERSPECTIVE



02 FRONT VIEW



03 SIDE VIEW



575 Naples Road  
Mendota, CA 93640  
  
info@wetstonedesign.co  
559-269-7363

**PROJECT NAME:**  
Firepit Lumera Round Double  
Gather 65 in  
**ARCHITECT / DESIGNER:**  
Luis C

**DRAWING PACKAGE:**  
Parts for Firepit Lumera Round  
Double Gather 65 in  
**SHEET CONTENTS:**  
Stainless Steel Plate

**MATERIAL:**  
Stainless Steel Sheet 1/16 in

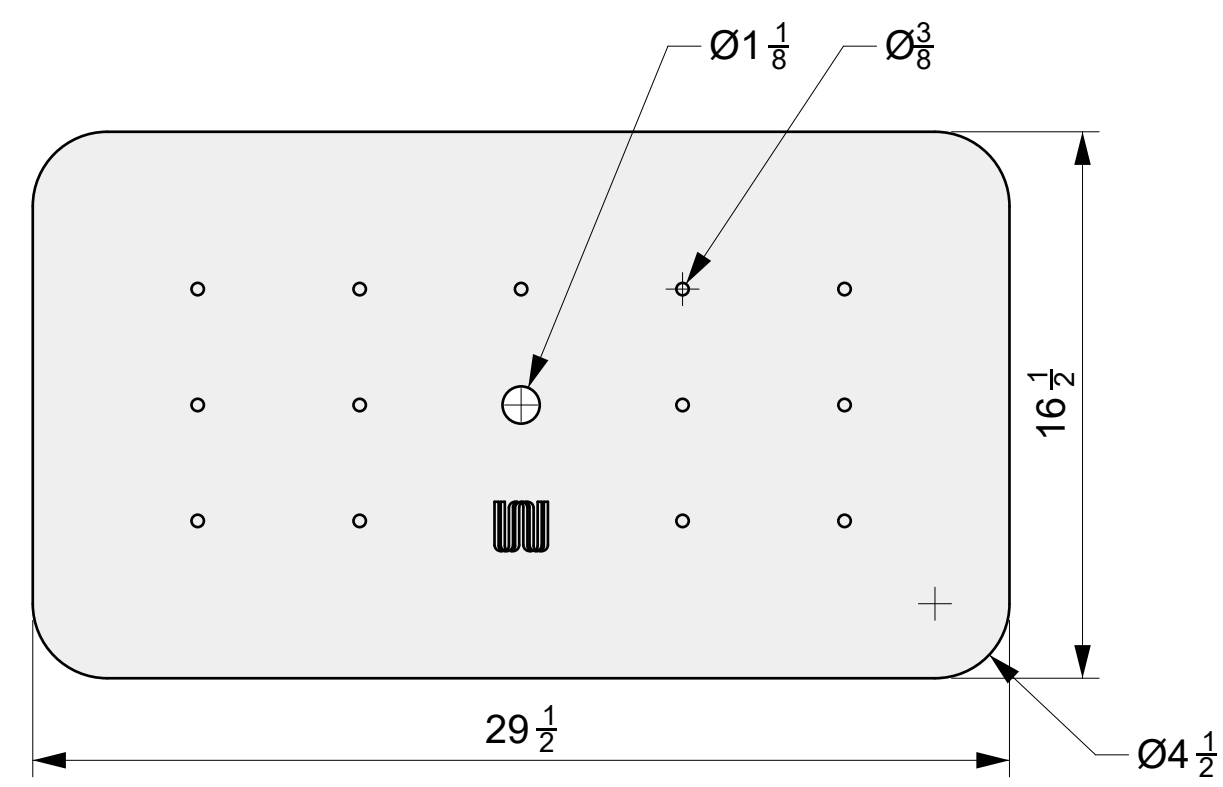
**FINISHING:**  
-

**COLOR:**  
-

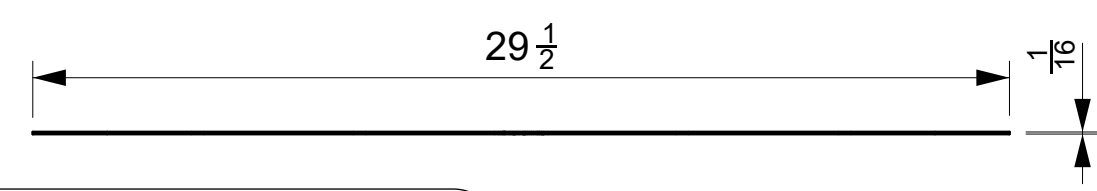
AUTHOR	DATE
LC	12/28/2020

**NOTES:**  
-

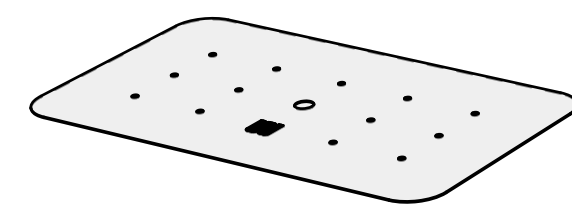
SHEET NO.  
**A03**



01 TOP VIEW



02 FRONT VIEW



03 PERSPECTIVE