



575 Naples Road
Mendota, CA 93640

info@wetstonedesign.co
559-269-7363

PROJECT NAME:
Firepit Lumera Round Double Gather 55 in

ARCHITECT / DESIGNER:
Luis C

DRAWING PACKAGE:
Parts for Firepit Lumera Round Double Gather 55 in

SHEET CONTENTS:
Final Drawing

MATERIAL:
Concrete

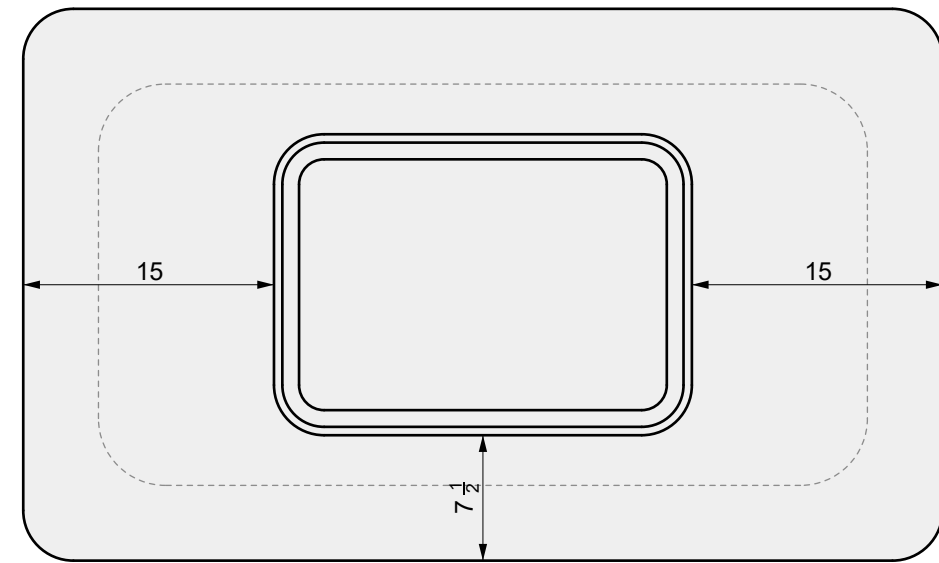
FINISHING:
-

COLOR:
-

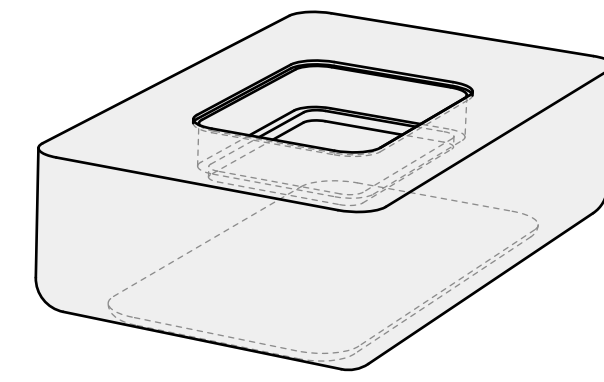
AUTHOR	DATE
LC	22/10/2020

NOTES:
-

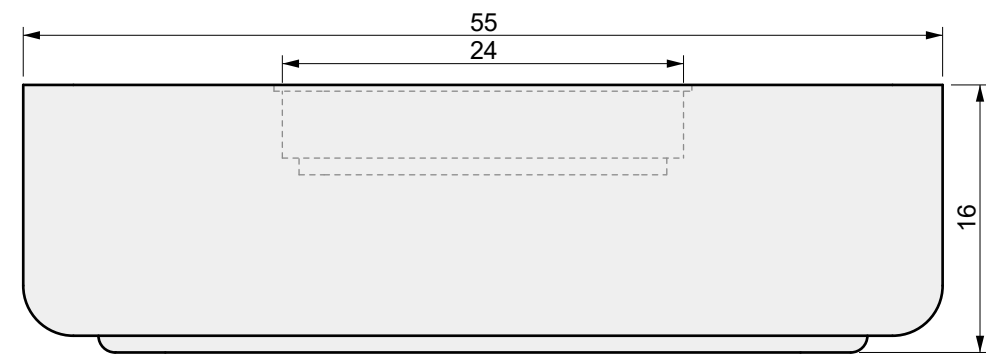
SHEET NO.
A01



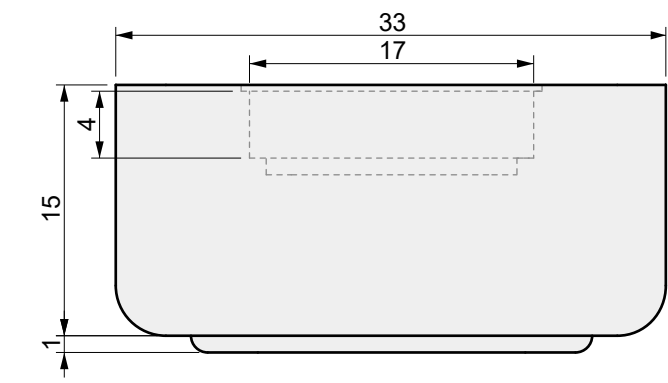
01 TOP VIEW



04 PERSPECTIVE



02 FRONT VIEW



03 SIDE VIEW



575 Naples Road
Mendota, CA 93640

info@wetstonedesign.co
559-269-7363

PROJECT NAME:
Firepit Lumera Round Double Gather 55 in

ARCHITECT / DESIGNER:
Luis C

DRAWING PACKAGE:
Parts for Firepit Lumera Round Double Gather 55 in

SHEET CONTENTS:
Final Drawing

MATERIAL:
Concrete

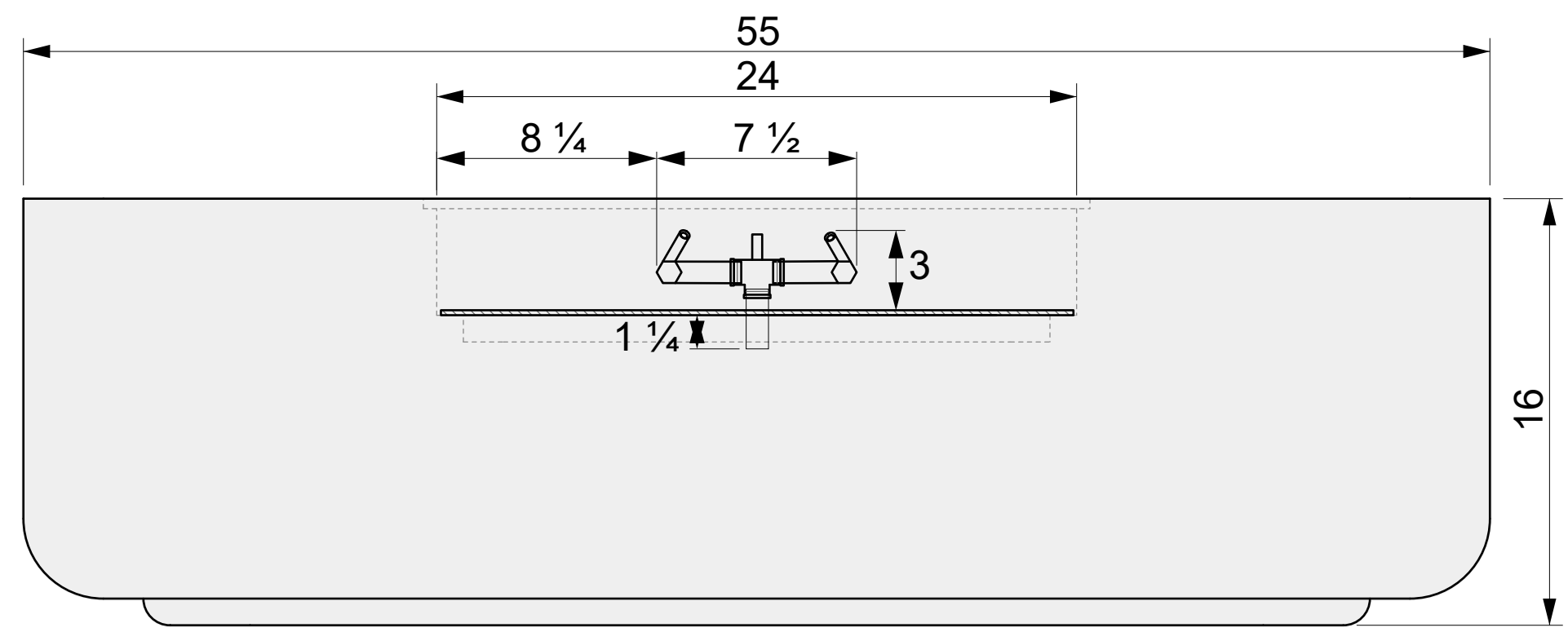
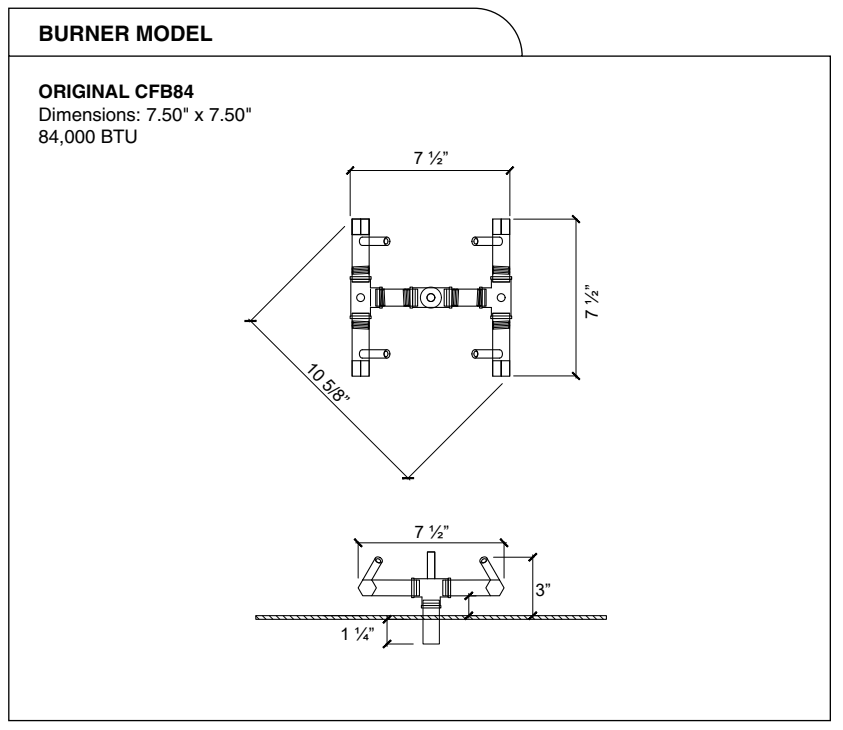
FINISHING:
-

COLOR:
-

AUTHOR	DATE
LC	22/10/2020

NOTES:
-

SHEET NO.
A02



01 SIDE VIEW

A

B

C

D



575 Naples Road
Mendota, CA 93640

info@wetstonedesign.co
559-269-7363

PROJECT NAME:
Firepit Lumera Round Double Gather 55 in

ARCHITECT / DESIGNER:
Luis C

DRAWING PACKAGE:
Parts for Firepit Lumera Round Double Gather 55 in

SHEET CONTENTS:
Aluminum Top

MATERIAL:
3/8 Aluminum Sheet

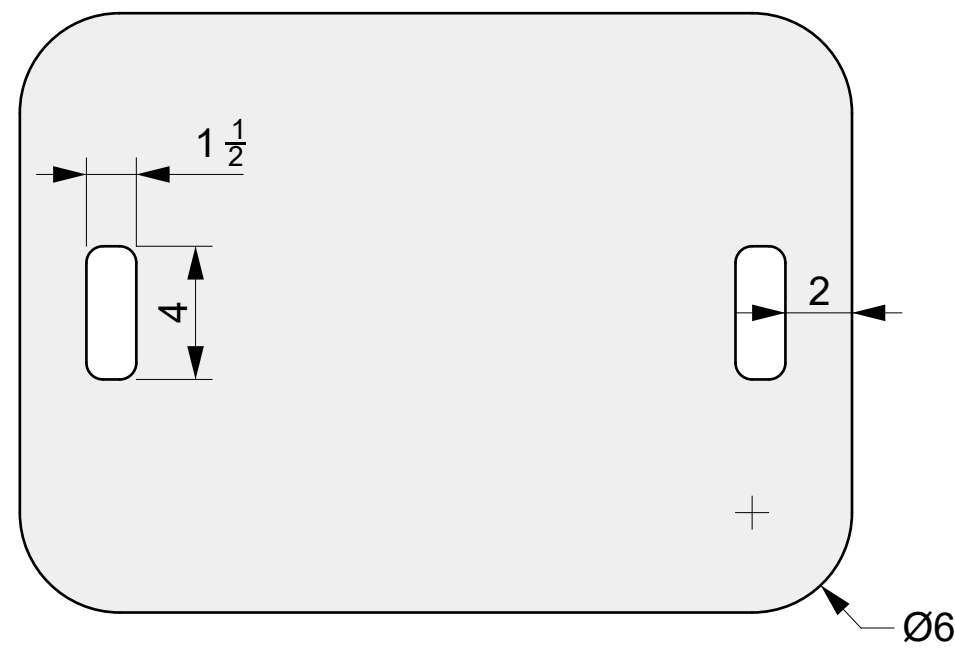
FINISHING:
-

COLOR:
-

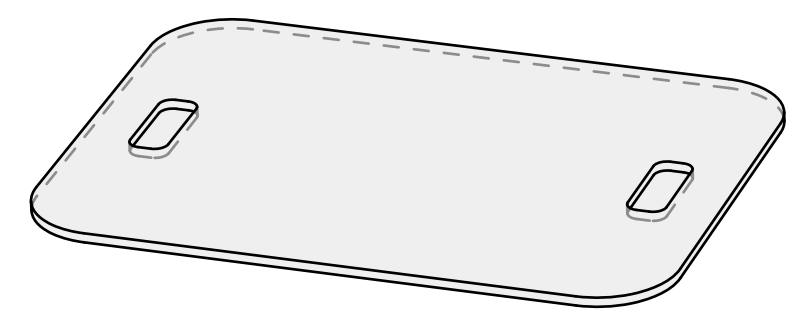
AUTHOR	DATE
LC	22/10/2020

NOTES:
-

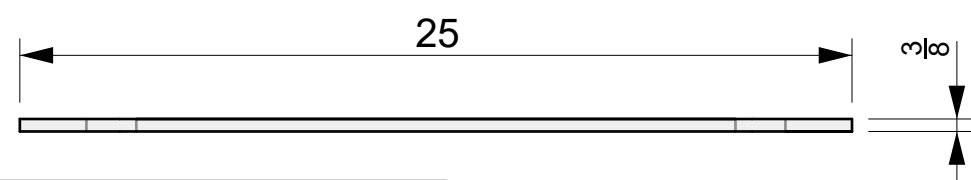
SHEET NO.
A03



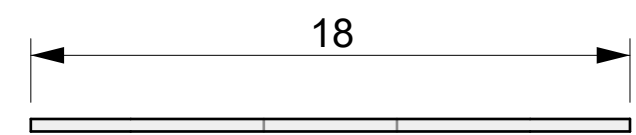
01 TOP VIEW



04 PERSPECTIVE



02 FRONT VIEW



03 SIDE VIEW



575 Naples Road
Mendota, CA 93640

info@wetstonedesign.co
559-269-7363

PROJECT NAME:
Stainless Steel for Lumera
Round Double Gather 55in

ARCHITECT / DESIGNER:
Luis C

DRAWING PACKAGE:
Pieces for Lumera Round Double
Gather 55in

SHEET CONTENTS:
Stainless Steel Plate

MATERIAL:
Stainless Steel Sheet 1/16 in

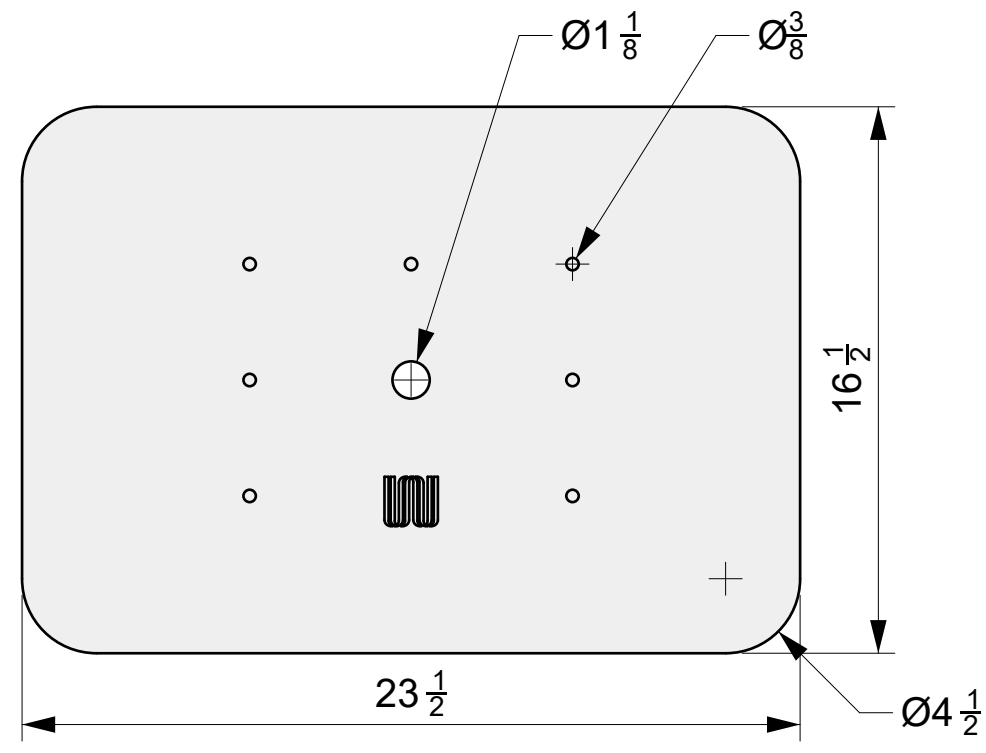
FINISHING:
-

COLOR:
-

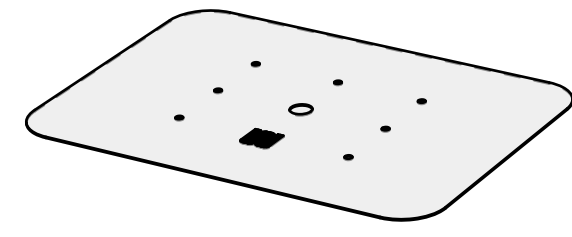
AUTHOR	DATE
LC	12/28/2020

NOTES:
-

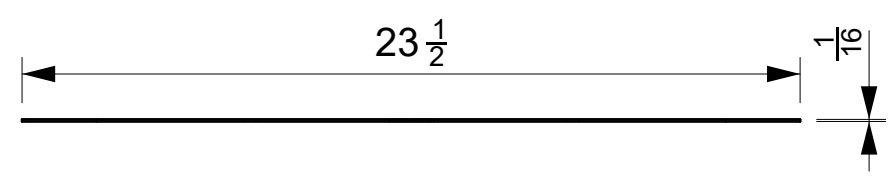
SHEET NO.
A03



01 TOP VIEW



03 PERSPECTIVE



02 FRONT VIEW