



575 Naples St.
Mendota, CA 93640

info@wetstonedesign.co
559-269-7363

PROJECT NAME:
Canyon Firepit 95 in

ARCHITECT / DESIGNER:
Luis C

DRAWING PACKAGE:
Canyon Firepit 95 in

SHEET CONTENTS:
Final Drawing

MATERIAL:
Concrete

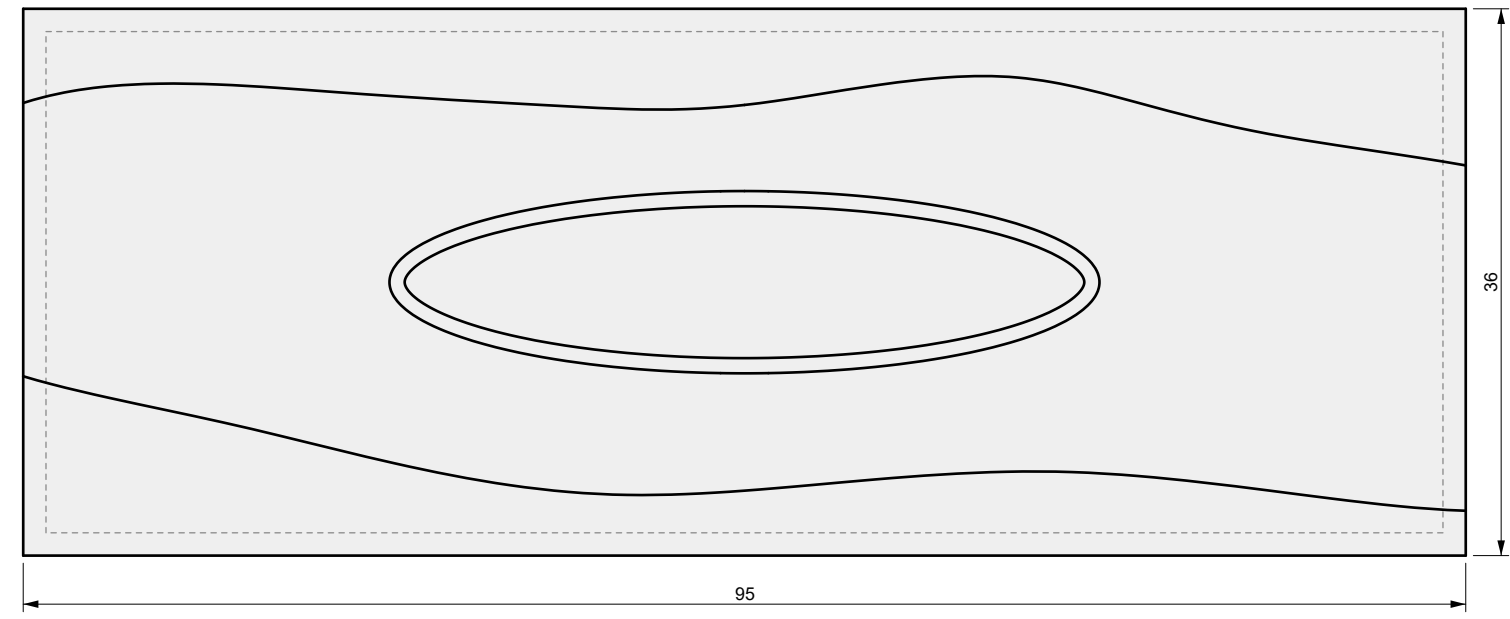
FINISHING:
-

COLOR:
-

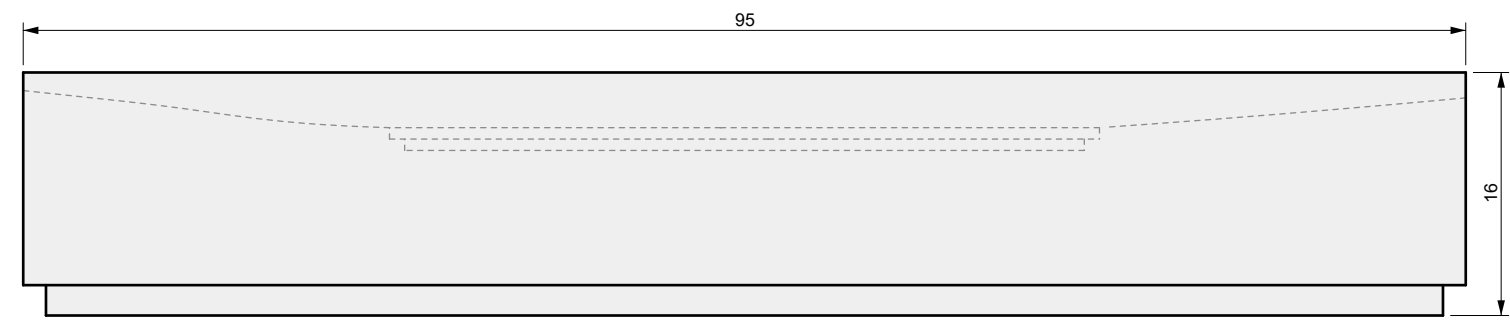
AUTHOR	DATE
LC	04/14/2022

NOTES:
-

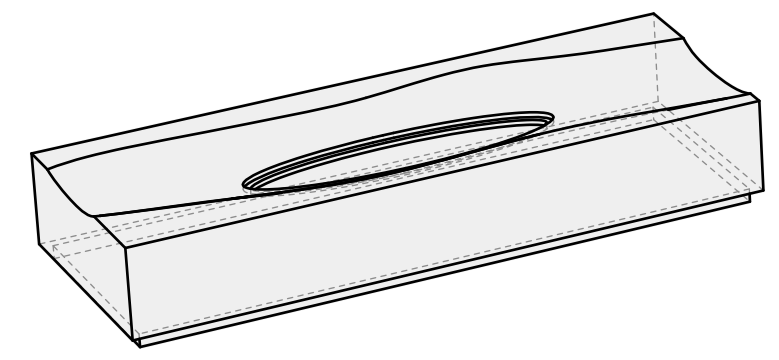
SHEET NO.
A01



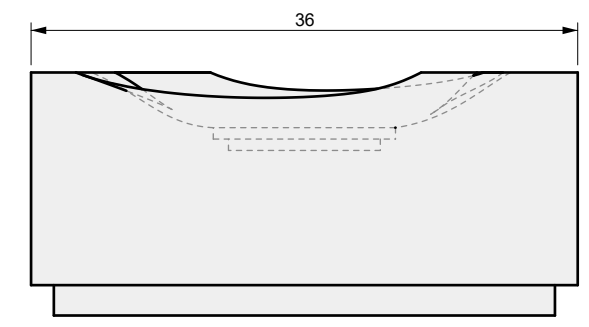
01 TOP VIEW



02 FRONT VIEW



04 PERSPECTIVE



03 SIDE VIEW



575 Naples St.
Mendota, CA 93640

info@wetstonedesign.co
559-269-7363

PROJECT NAME:
Canyon Firepit 95 in

ARCHITECT / DESIGNER:
Luis C

DRAWING PACKAGE:
Canyon Firepit 95 in

SHEET CONTENTS:
Burner Setting

MATERIAL:
-

FINISHING:
-

COLOR:
-

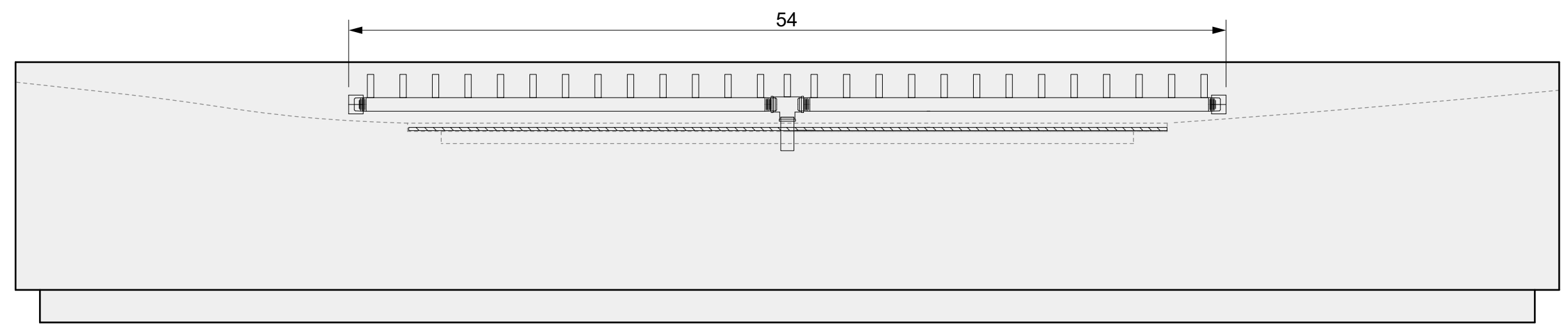
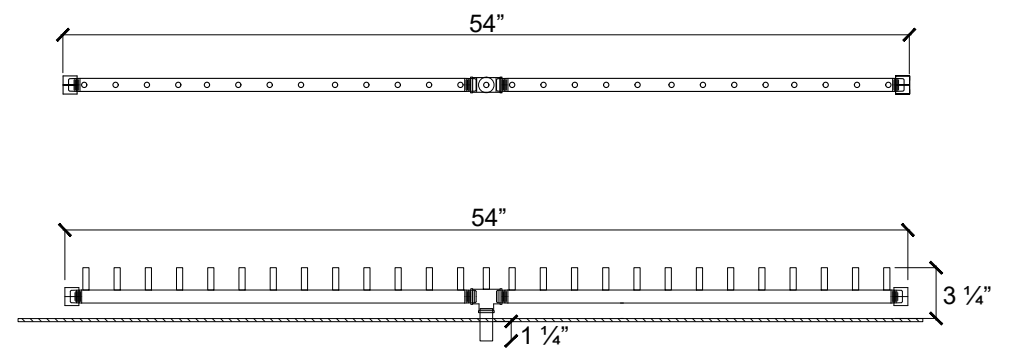
AUTHOR	DATE
LC	04/14/2022

NOTES:
-

SHEET NO.
A02

BURNER MODEL

LINEAR CFBL270
Dimensions: 54" x 1"
270,000 BTU



01 SIDE VIEW

A

B

C

D



575 Naples St.
Mendota, CA 93640

info@wetstonedesign.co
559-269-7363

PROJECT NAME:
Canyon Firepit 95 in

ARCHITECT / DESIGNER:
Luis C

DRAWING PACKAGE:
Canyon Firepit 95 in

SHEET CONTENTS:
Stainless Steel Plate

MATERIAL:
1/8 in Stainless Steel Sheet

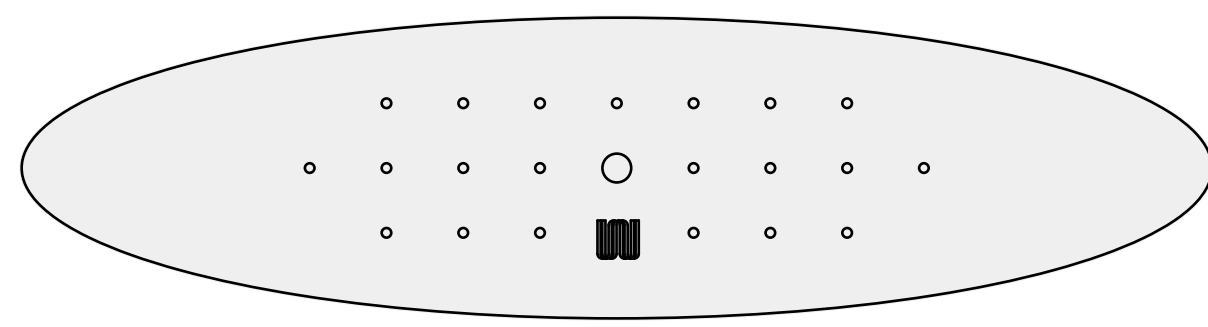
FINISHING:
-

COLOR:
-

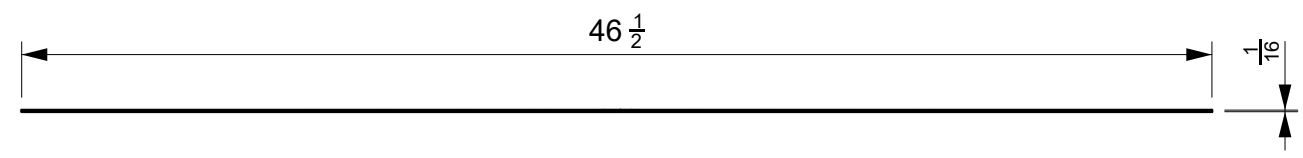
AUTHOR	DATE
LC	04/14/2022

NOTES:
-

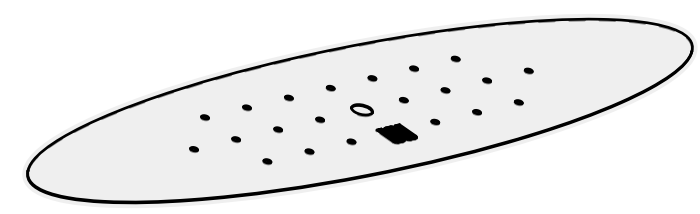
SHEET NO.
A03



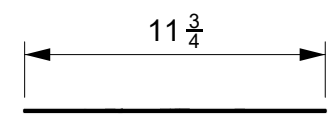
01 TOP VIEW



02 FRONT VIEW



04 PERSPECTIVE



03 SIDE VIEW