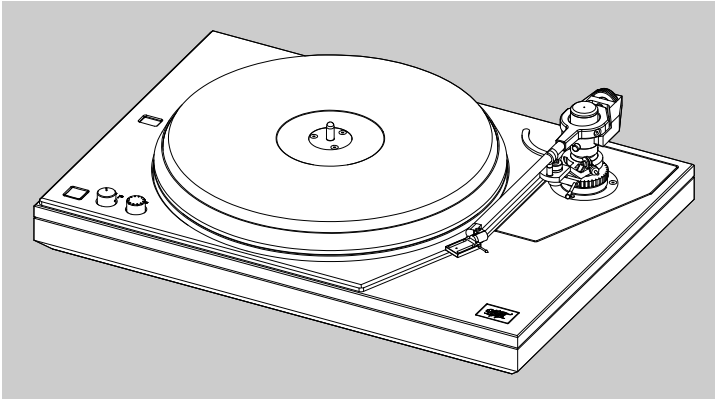


Mofi

ELECTRONICS

Thank You for Purchasing MasterDeck



MasterDeck started as a question: “You’ve spent more than 35 years building your ideas into cost-no-object turntables. Could you design a high-value turntable with those ideas?” The answer is MasterDeck. It represents all the principles for platter bearings, drive systems, tonearm concepts, and material combinations that I’ve developed over the past few decades. It also embodies my vision that those ideas be presented in a reliable, beautiful package. Bringing performance normally only available from esoteric products to a larger audience of music enthusiasts is a true pleasure. I wish you many years of happy listening.

Allen Perkins
Lead Analog Designer, MoFi Electronics

Important Safety Instructions

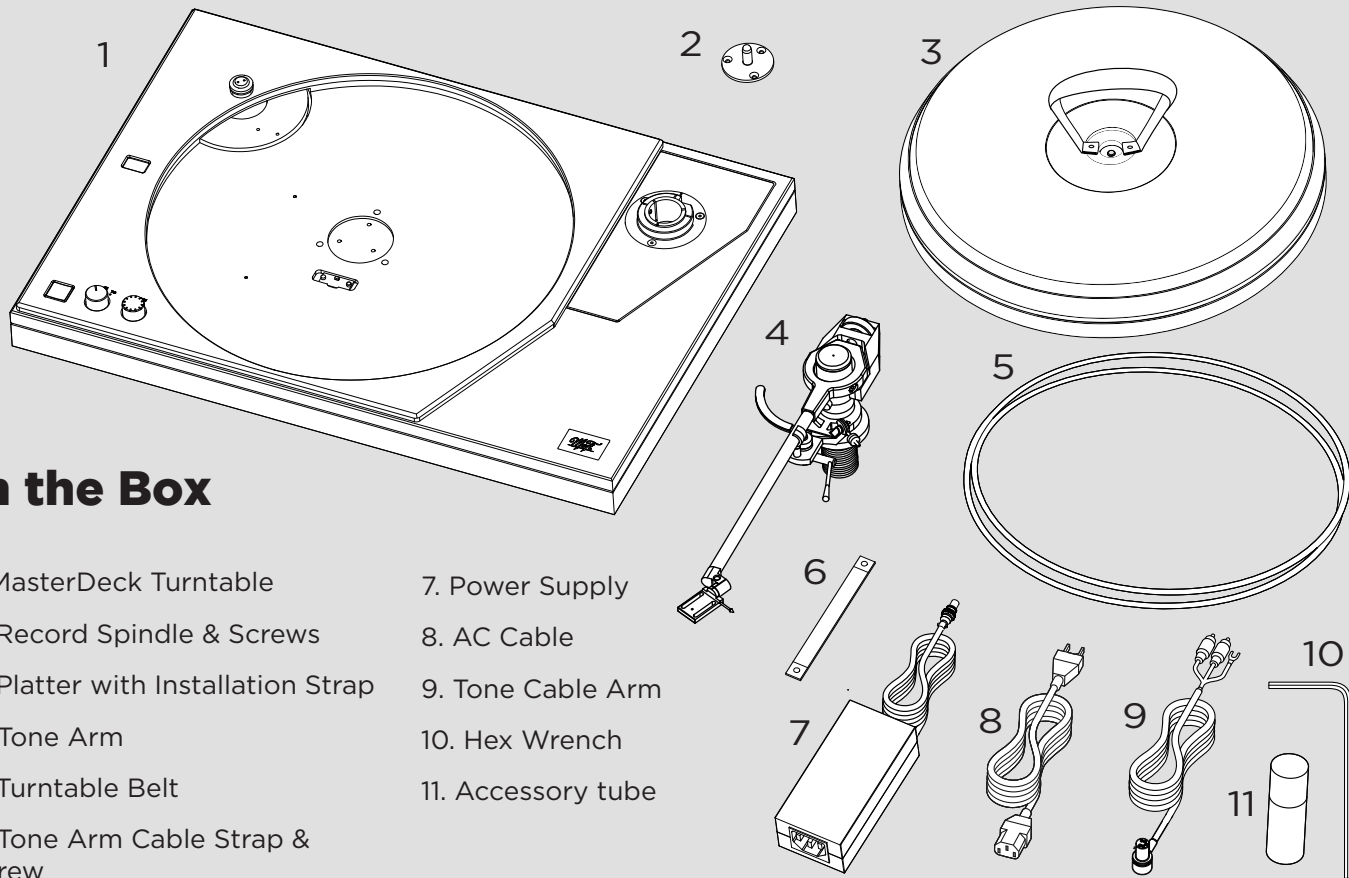
⚡ The lightning flash with the arrowhead symbol within an equilateral triangle is intended to alert you to the presence of dangerous voltage inside the product that may constitute a risk of electric shock.

⚠ The exclamation point within an equilateral triangle is intended to alert you to the presence of important operating and maintenance instructions in the literature accompanying the product.

TO REDUCE THE RISK OF ELECTRIC SHOCK, DO NOT REMOVE THE COVER. NO USER-SERVICEABLE PARTS ARE INSIDE. REFER SERVICING TO QUALIFIED PERSONNEL.

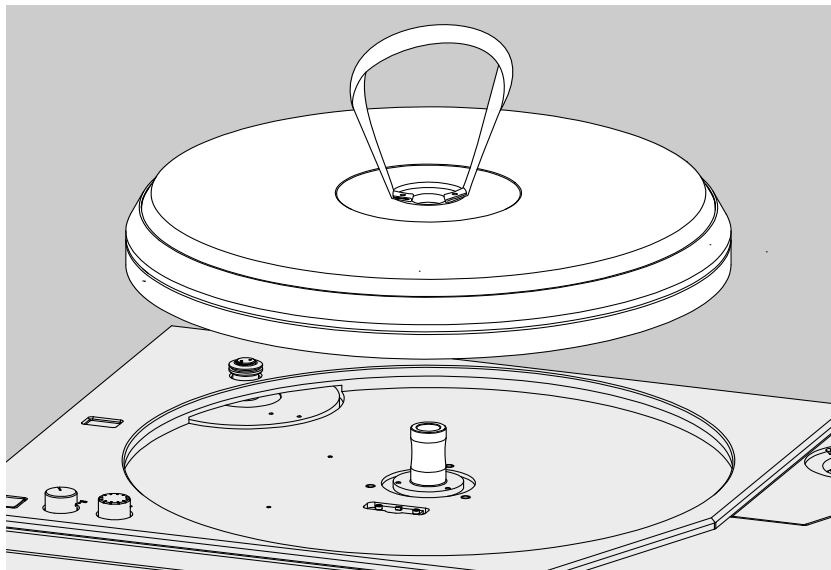
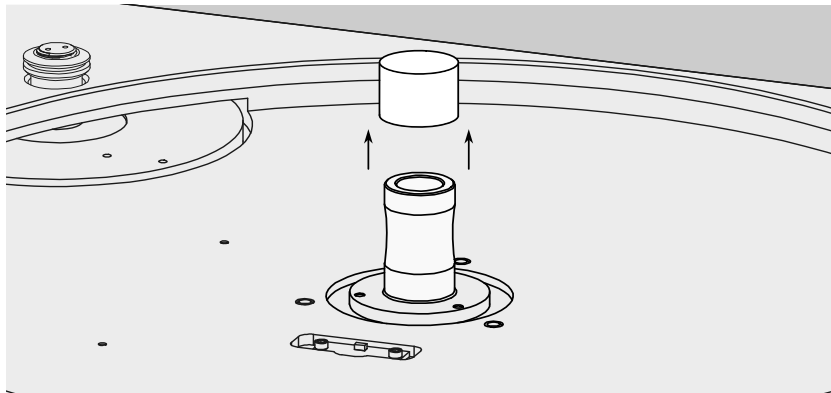
1. Read instructions: Read all safety and operating instructions before operating MasterDeck.
2. Retain instructions: Retain safety and operating instructions for future reference.
3. Heed warnings: Adhere to all warnings on MasterDeck and in the operating instructions.
4. Follow instructions: Follow all operating and use instructions.
5. Cleaning: Unplug MasterDeck from the wall outlet before cleaning with a damp cloth. Clean the outside of MasterDeck only.
6. Attachments: Do not use attachments that are not recommended by the manufacturer; they may be hazardous.
7. Water and moisture: Do not use MasterDeck near water.
8. Accessories: Do not place MasterDeck on an unstable cart or stand. It may fall, causing bodily injury and damage. Any product and cart combination should be moved with care. Quick stops, excessive force, and uneven surfaces may cause MasterDeck and the cart to overturn.
9. Power sources: Operate MasterDeck only from the type of power source indicated on the label. If you are unsure of the type of power supply to your home, consult your dealer or local power company. MasterDeck is equipped with a three-prong grounding plug. This plug will only fit into a grounded power outlet. If you are unable to insert the plug into the outlet, contact your electrician to replace your obsolete outlet. Do not defeat the safety purpose of the grounding plug.

10. Power-cord protection: Power-supply cords should be routed so that they are not likely to be walked on or pinched by items placed on or against them.
11. Lightning: Unplug MasterDeck from the wall outlet for added protection during a lightning storm, or when it is left unattended and unused for long periods of time. This will prevent damage due to lightning and power line surges.
12. Overloading: Do not overload wall outlets or extension cords. This can result in a fire or electric shock.
13. Inserting objects into MasterDeck: Never push objects of any kind into MasterDeck through any openings; they may touch dangerous voltage points or short-out parts that could result in fire or electric shock.
14. Servicing: Do not attempt to repair or service MasterDeck yourself. Opening or removing covers may expose you to dangerous voltage and other hazards. Refer all servicing to qualified service personnel.
15. Damage requiring service: Unplug MasterDeck from the wall outlet and refer servicing to qualified service personnel under the following conditions:
 - A) If the power-supply cord or plug is damaged.
 - B) If liquid has been spilled into MasterDeck.
 - C) If MasterDeck has been exposed to rain or water.
 - D) If MasterDeck does not operate normally according to the operating instructions.
 - E) If MasterDeck has been dropped or damaged in any way.
 - F) If MasterDeck exhibits a distinct change in performance.
16. Replacement parts: When replacement parts are required, be sure the service technician uses replacement parts specified by the manufacturer. Unauthorized substitutions may result in fire, electric shock, and other hazards.
17. Safety check: Upon completion of any service or repairs to MasterDeck, ask the service technician to perform safety checks to determine that the turntable is in proper operating condition.
18. Wall or ceiling mounting: Mount the product to a wall or ceiling only as recommended.
19. Heat: MasterDeck should be situated away from heat sources such as radiators, heat registers, stoves, and other products (including amplifiers) that produce heat.



In the Box

- | | |
|------------------------------------|--------------------|
| 1. MasterDeck Turntable | 7. Power Supply |
| 2. Record Spindle & Screws | 8. AC Cable |
| 3. Platter with Installation Strap | 9. Tone Cable Arm |
| 4. Tone Arm | 10. Hex Wrench |
| 5. Turntable Belt | 11. Accessory tube |
| 6. Tone Arm Cable Strap & Screw | |



Platter Installation

The upper and lower bearing halves of MasterDeck are capped to seal in lubricant during shipping. Remove both caps. Avoid dripping excess lubricant on your hands and surfaces. Using the installed strap, lift and carefully lower the platter onto the lower bearing. When lowering the platter, an extra pair of hands and eyes will be helpful to center the platter onto the bearing.

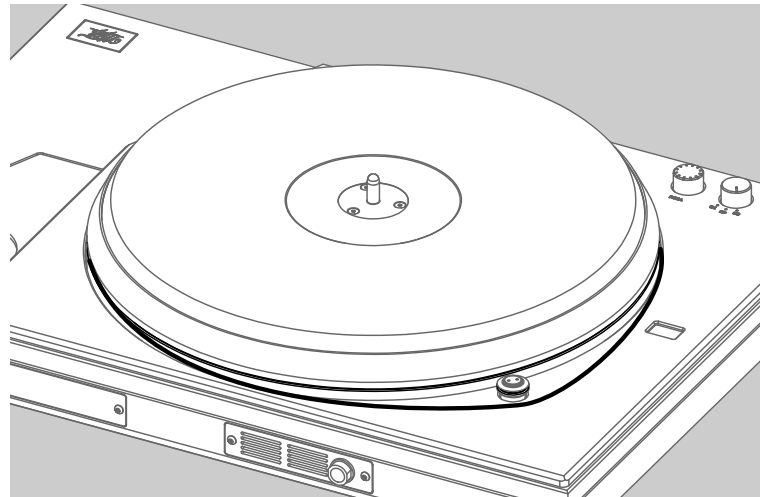
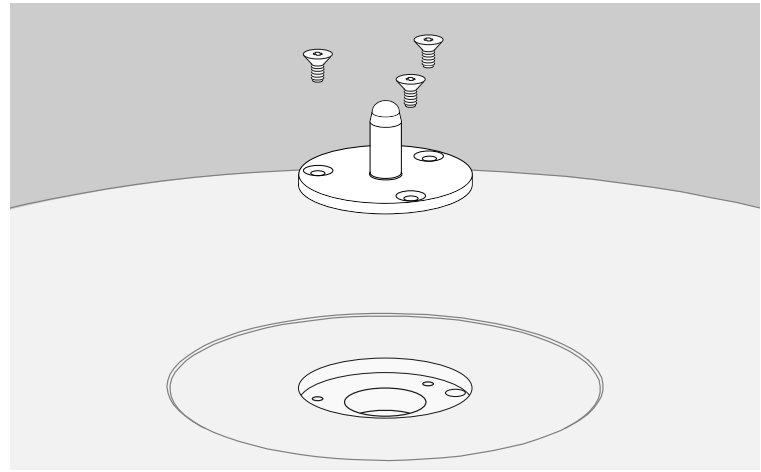
▲ Avoid getting fingers caught under the platter.

Installing Spindle and Turntable Belt

Remove the platter strap. Install the record spindle using the three included screws.

▲ Warning: Over-tightening the screws may strip the threads in the Delrin platter surface.

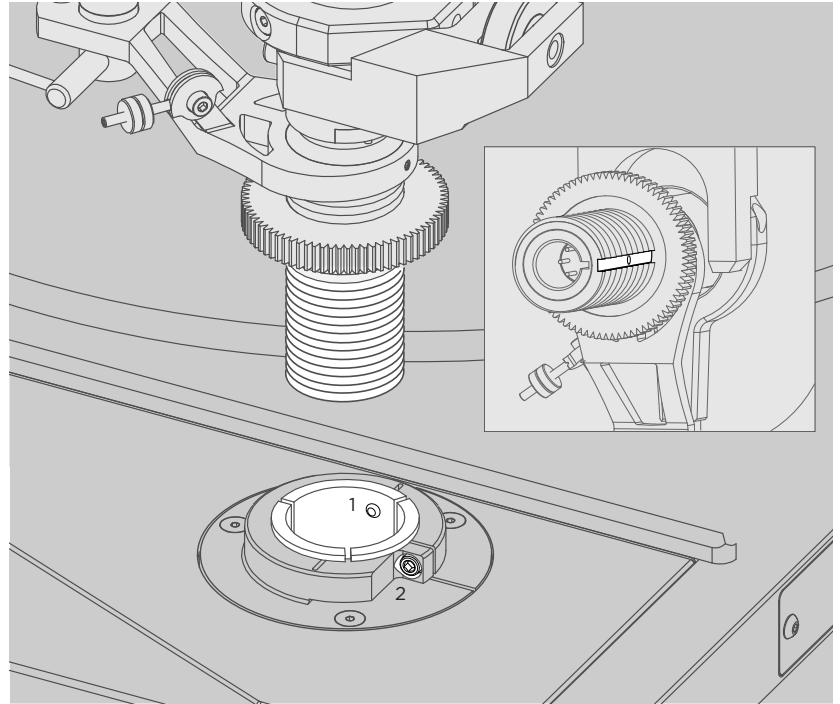
Install the turntable belt with the belt attached to the pulley.



Tone Arm Installation

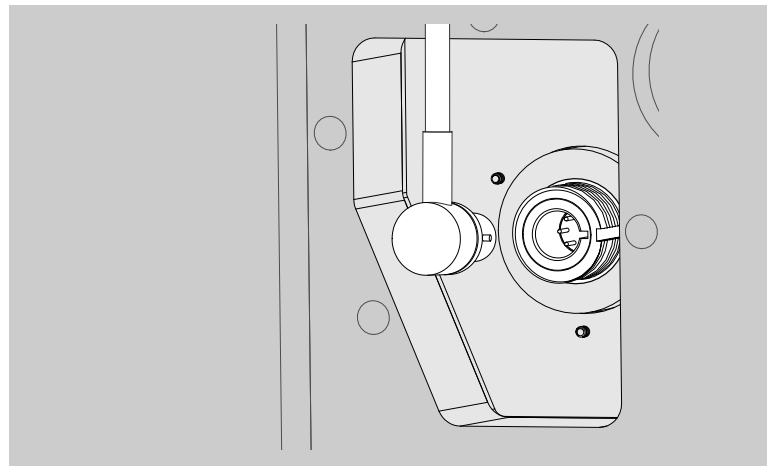
Place the tonearm in the base, aligning the slot with Pin 1.

Tighten Screw 2 to secure the tonearm in the base.

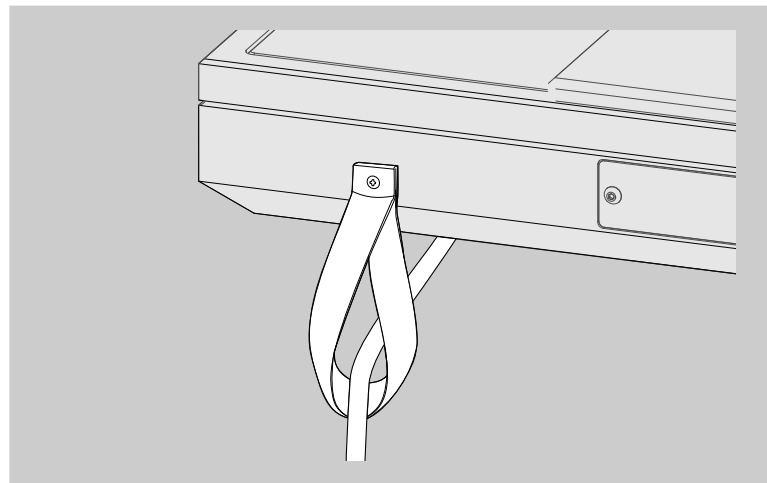


Tone Arm Cable

Plug in the tonearm cable, aligning the slot with the pin.



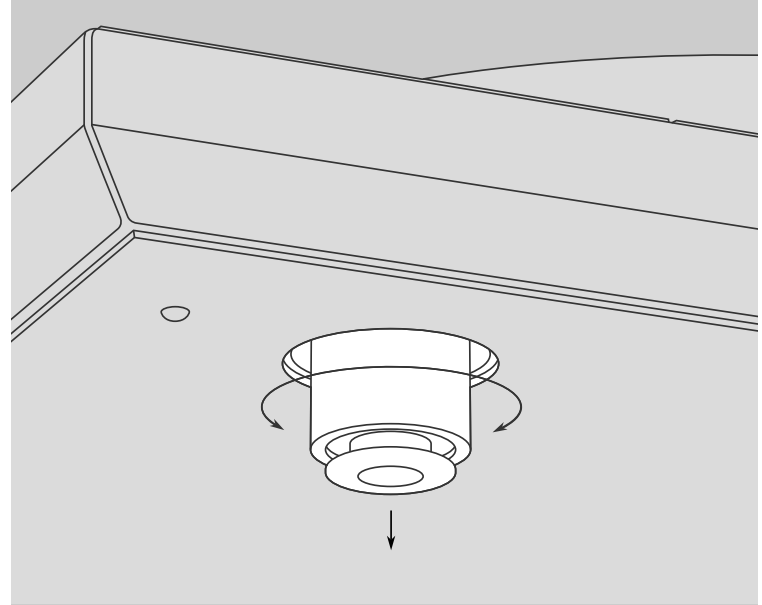
Install the cable strap with the include screw. Route the cable through the rear strap.

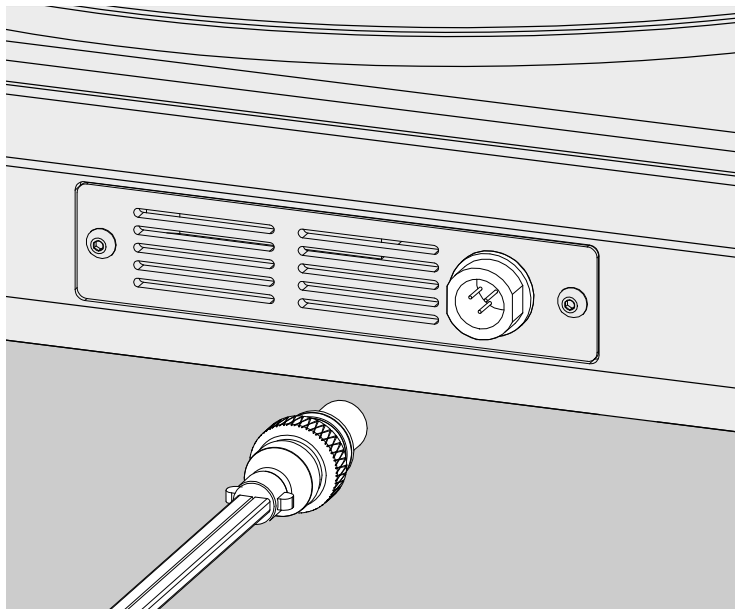


Leveling the Turntable

▲ The playing location should be level and capable of supporting approximately 40lbs.

Once MasterDeck is in its intended location, place a bubble level on the platter and level the turntable by carefully turning the appropriate foot.

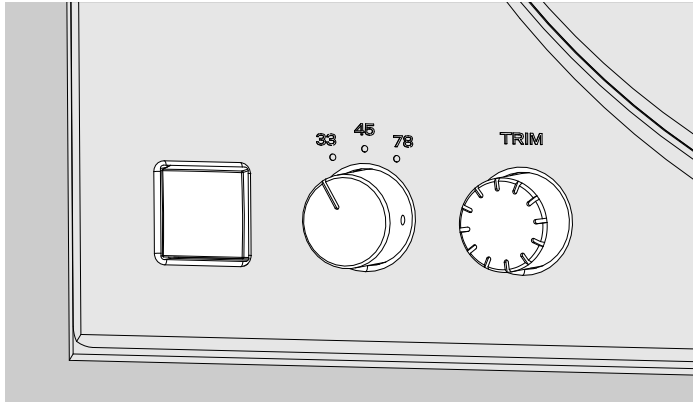




Power Supply

Connect the power supply to MasterDeck. Connect the AC cord to the power supply brick. Connect the AC cord to any outlet or power conditioner.

▲ Power off your phonostage (not included) and connect the RCA plugs to the appropriate channels.



Operating Your MasterDeck

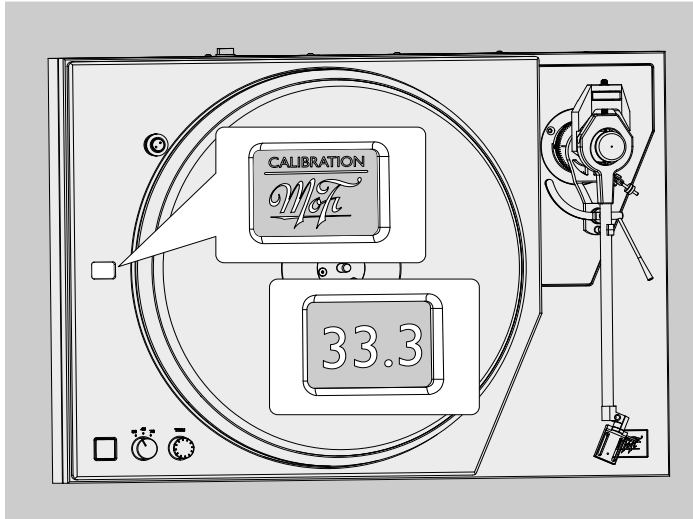
The power button when depressed will turn orange and indicates the MasterDeck power is on.

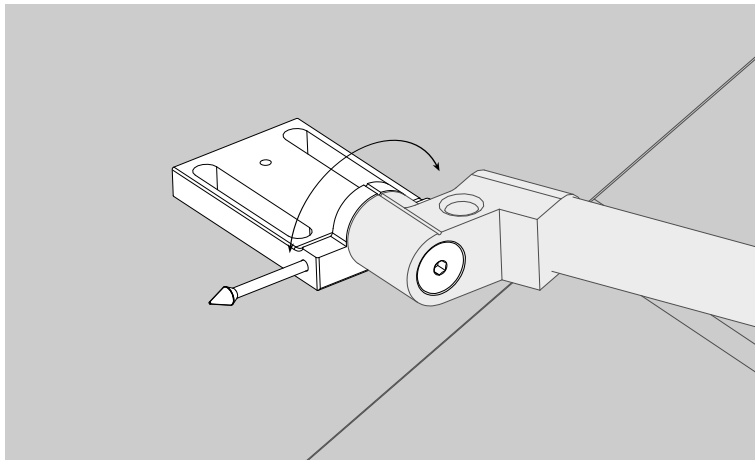
Speed Selector: For choosing 33.3, 45, or 78 RPM.

Trim: Rotate the trim selector for fine speed adjustment. To store an alternate speed setting, depress the trim selector at the desired speed. Note that MasterDeck will return to the custom speed the next time you power it on.

Calibration: To enter calibration mode, depress and hold the trim selector to activate.

The first time it powers up, MasterDeck will go through a calibration process and power down. You can then power MasterDeck back on and it will be ready to play at 33.3 rpm. 45 and 78 rpm will calibrate individually on first selection. If AC power is disconnected, calibration will repeat on the first (re)start.

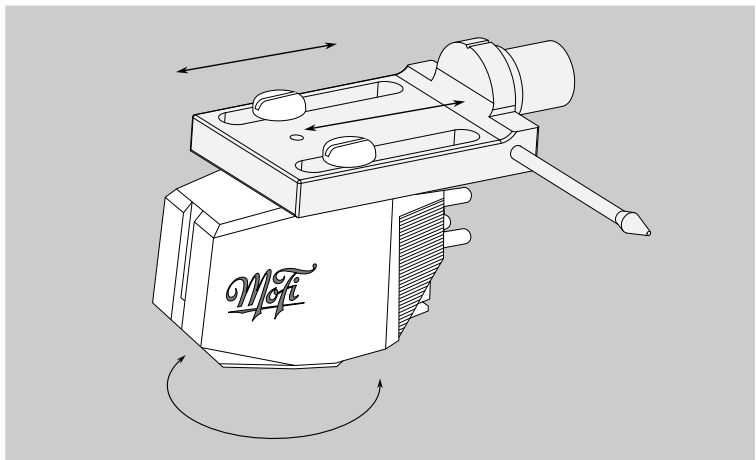




Cartridge Installation

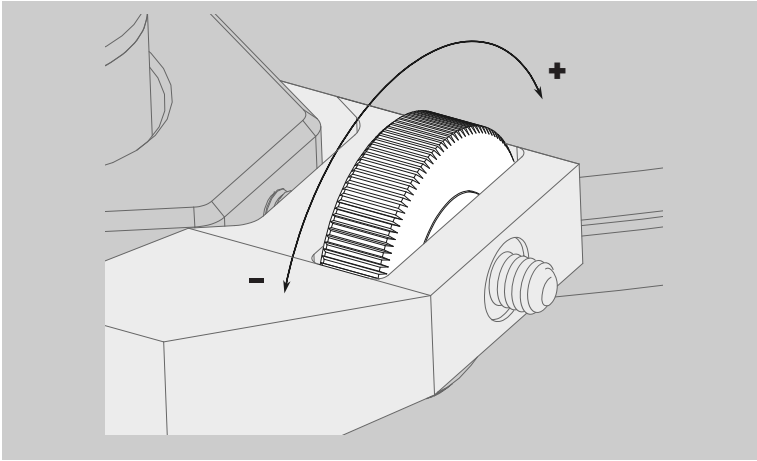
If a cartridge is not included, follow the cartridge manufacturer's installation instructions.

If your MasterDeck came with a preinstalled cartridge, these settings were completed at the factory.



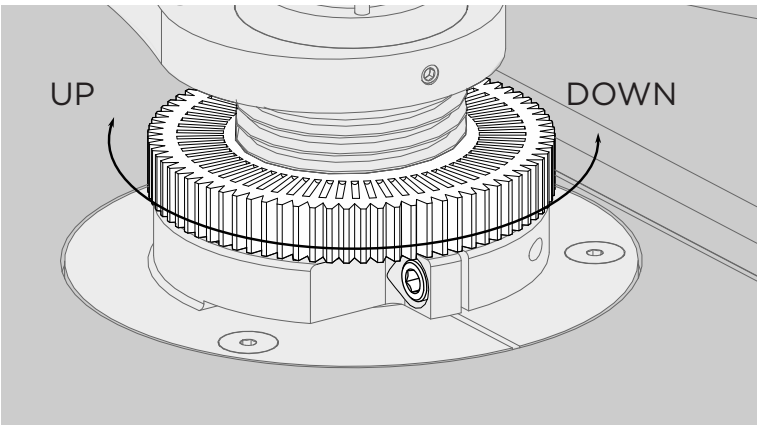
Setting Azimuth, Overhang, and Zenith

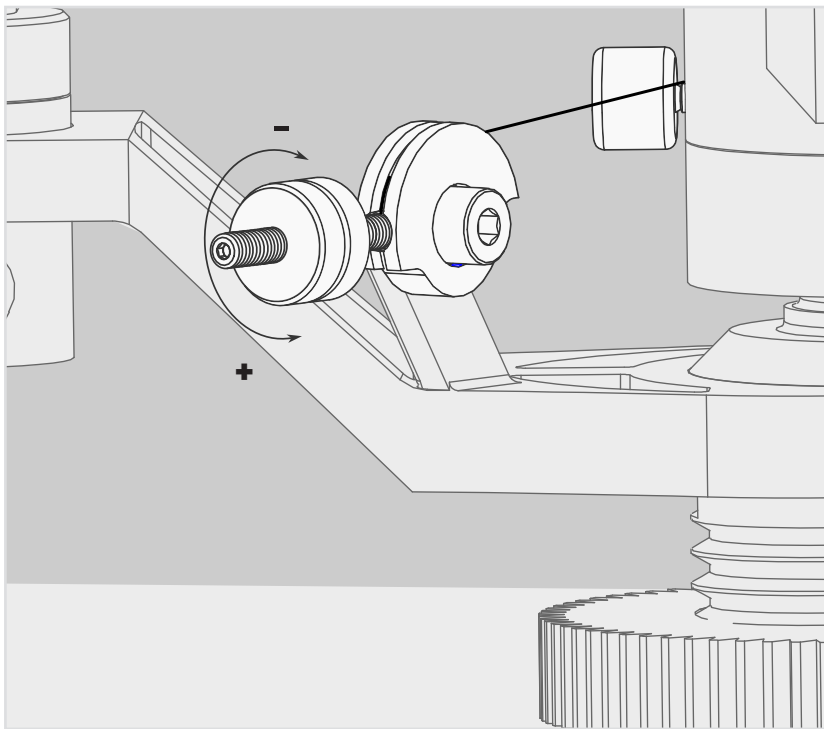
Loosening the headshell screw allows the headshell to rotate for azimuth adjustment. The headshell slots allow you to move the cartridge forward and back to adjust overhang. They also allow rotation for zenith adjustment.



Setting Tracking Force and VTA

Adjust the tracking force by rotating the knurled nut. Moving the nut toward the cartridge increases the tracking force; moving the nut away from the cartridge decreases the tracking force. Adjust vertical tracking angle (VTA) by loosening the screw on the base and moving the nut up and down.





Setting Anti-Skate

Adjust anti-skate force by moving the weights. Movement toward the tonearm decreases force; movement away from the tonearm increases force.

MasterDeck™ Turntable - Specifications

Drive system:	Belt drive, AC Synchronous motor.
Speeds:	33.3, 45, 78 RPM with adjustment +/-
Platter:	Aluminum with Delrin record surface. 14.35 LB.
Power Supply Requirements:	120V 60Hz, 220-230V 50Hz, 100V 50Hz
Power consumption	<5W
Dimensions	W 20in. H 5.125in. (~ 6.250 with tone arm.) D 15.125 including AC cable
Weight	37.4 Lbs

MasterDeck™ Tone Arm - Specifications

Type:	Unipivot/Gimbal hybrid
Arm Tube:	Straight Damped Carbon fiber
Pivot to Stylus distance	10" (254mm)
Overhang	18mm
Offset Angle	22.8
Cartridge Weight Range	5-14G

MoFi ELECTRONICS

www.mofielectronics.com

MoFi Electronics - 1811 W Bryn Mawr Ave Chicago IL