

Legal Statement

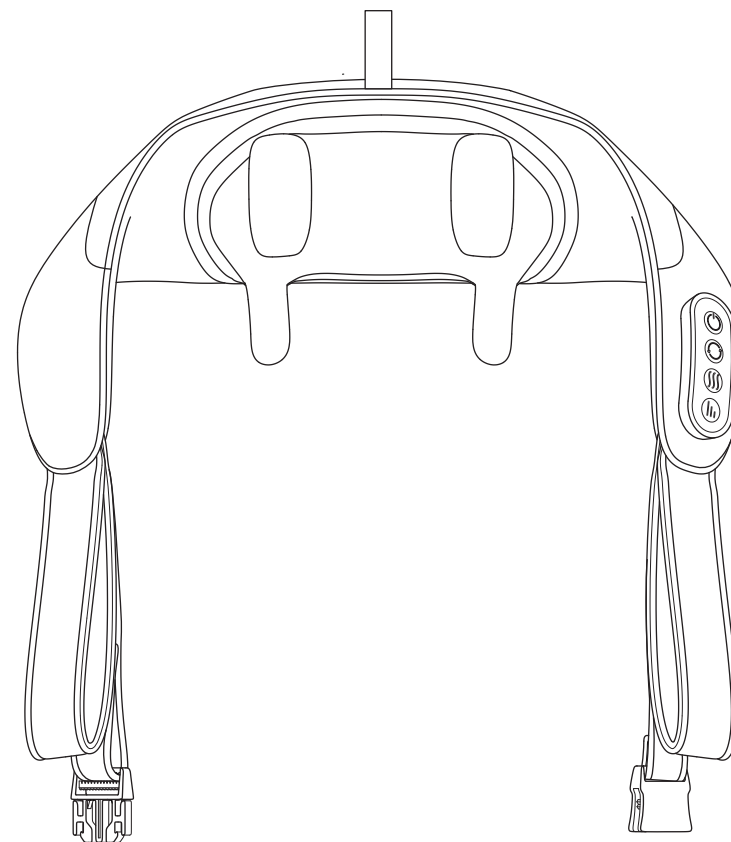
- Please read the user manual carefully before using the appliance to ensure safe and proper use. Save the user manual for future reference.
- All pictures shown here are for illustration purposes only. Actual product size may vary. The specifications are subject to change without prior notice to improve the performance.

USER'S MANUAL

KINGSMITH

Neck Massager

MSK1A



Manufacturer: Beijing Kingsmith Technology Co., Ltd.
Address: Floor 4, Building 25, Area 18, ABP Park, Fengtai, Beijing, China
MADE IN CHINA

Thank you for purchasing our neck massager. Before using it, please read the operation manual carefully and pay special attention to safety precautions in order to operate and use the product correctly. The operation manual provides safe and effective operating instructions for users. Please keep it for future reference after reading.

CONTENTS

01	Safety Instructions	01~02
02	Product Descriptions	03
03	Product Specifications	04
04	User Guide	04
05	Product Maintenance	05
06	Troubleshooting	05
07	Warranty	06
08	Environment Protection	07~08

01 Safety Instructions

WARNING

To reduce the risks of burns, fire, electric shock or injury, please read all instructions before using.

IMPORTANT SAFETY INSTRUCTION

1. Do not pull and stretch wire intentionally to avoid it is damaged and electrically dangerous.
2. When unplug, please hold the entire power plug.
3. Stop using when this appliance is not working or out of service.
4. Do not use this appliance after meals, drunk and strenuous exercises.
5. Keep children away from using and playing this appliance.
6. Avoid dropping or inserting hands and feet into any opening.
7. Do not operate this appliance with wet hand and wet foot.
8. Stop using wire if it is damaged, please change a new wire.
9. Stop using immediately if experience any discomfort.
10. Do not clean this appliance into water. If it is dropped into water, please stop using and send it to Service center for examination and repair.
11. Do not attempt to disassemble this appliance, it may cause personal damages and property loss if this appliance is reassembled and modified.
12. Do not use this appliance in bathroom, kitchen and any other places with environment of high temperature, high air pressure, humid, fire etc.
13. Keep this appliance from pins and other sharp items. If damaged, please return to service center for examination and repair.
14. Do not clean this appliance while power charging.
15. Please read the user manual carefully. Do not use the product continuously for long periods to prevent muscle pain or skin damage caused by excessive massage.
16. Do not use the product on areas that have undergone surgery or have skin damage, redness, inflammation, or congestion.
17. This product is a household electronic health product and is not intended for medical diagnosis, treatment, or other commercial purposes.

PEOPLE WHO DON'T USE THIS PRODUCT

Following people please consult with doctors before use

- Patients that are under treatment or post-surgery patients.
- Patients who suffer from high blood pressure, cardiac disease, cerebral arteriosclerosis or cerebral thrombosis.
- Patients who suffer from malignant tumor.
- Pregnant women or women during menstruation.
- Patients who suffer from osteoporosis.
- Persons with cardiac pacemakers or have implantable medical device.
- Patients who suffer from acute diseases.

CAUTIONS

1. Keep children away from playing this appliance, it may cause danger to children.
2. Close supervision is necessary when the product is used by invalids, handicapped, or with any form of physical, sensory or mental incapability and with limited experience and knowledge of the product (Including children).
3. There are heat generation components inside, heated surface may cause serious burns to persons.
4. Do not pull and drag the wire intentionally, or hang things on the wires. Make sure unplug from holding the entire power plug to avoid causing damage to the wires.
5. If the wire is damaged, to avoid danger please ask manufacturer or authorized maintenance institution/team to change the wire.
6. Do not cover any blankets over this appliance during working. This may result in temperature rises to cause malfunction or damage.
7. Do not press buttons hard or with fingernails. Keep water and wet hands away from the panel and buttons.
8. Never drop or insert any object into any opening in this appliance.
9. Do not use this appliance one hour before or after meals.
10. Do not use this appliance after drunk and discomfort. Stop using immediately if you experience any discomfort.
11. If fabric cover is found damaged, please return this appliance to manufacturer or authorized maintenance institution for repairing.
12. Always unplug this appliance from the electrical outlet immediately after using and before cleaning.
13. Stop using this appliance when it is out of working, please return it to manufacturer or authorized Maintenance department for repairing.
14. This product is not intended for self-diagnosis or self-treatment.
15. Stop using immediately when heat causes any discomfort or warming temperature keeps going high.
16. This product is not intended for self-diagnosis or treatment.
17. If the heating temperature becomes uncomfortably high or continues to rise during use, discontinue use immediately.

ENVIRONMENTAL CONDITIONS

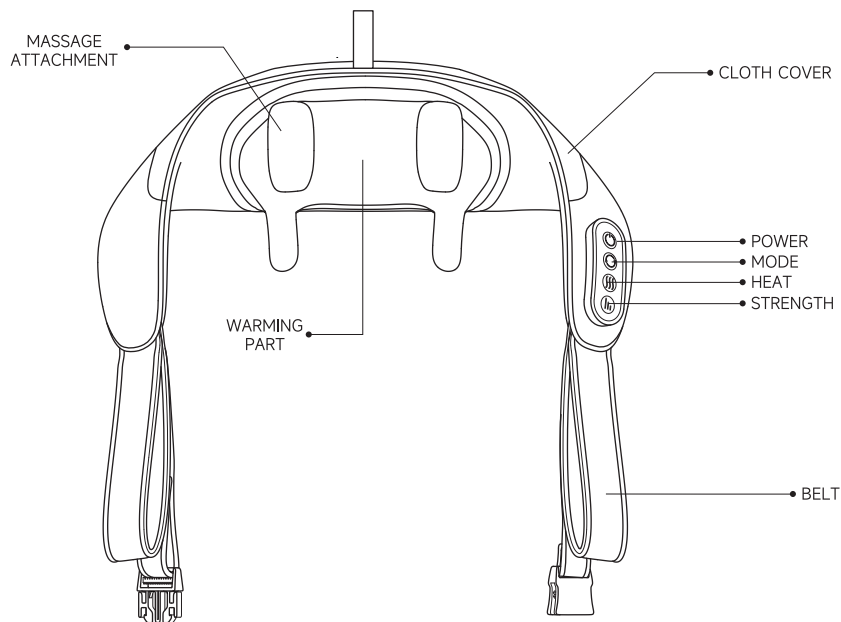
1. Do not use this appliance in an excessively dusty or humid environment such as a bathroom since this may result in malfunction, electric shock or damage to the persons.
2. Do not use this appliance in a room with temperature of 40°C or higher. Do not expose this appliance to heaters, stoves.
3. Do not use this appliance outdoor or expose it long under direct sunlight.

02/ Product Descriptions

• Product features

1. Highly simulated hand massage, deeply relax shoulder and neck muscles, relieve fatigue;
2. Skin-friendly fabric, can be disassembled and washed massage cloth cover, more hygienic use;
3. Library class silent massage movement, comfortable hot compress experience;
4. Built-in high-capacity safe battery, wireless portable use, long battery life.

• Product Pictures & Description



Note: The switch and key arrangement of the control panel of different models will be different, depending on the actual product in the package.

03/ Product Specifications

Product Name	Neck Massager
Product Model	MSK1A
Rated Voltage	7.4V \equiv
Rated Power	16W
Charging Input	DC5V \equiv 2A

Note: The company will continue to improve the performance and appearance of the product, subject to change without notice.

04/ Instructions

Operating Instructions

1. Before initial use, please use the attached USB-C cable with a 5V/2A output adapter to fully charge the massager (The red light is pulsating during charging, and turns into a solid white light after the massager is fully charged).
2. Function operation:
 - ① ON/OFF button:
Press and hold the ON/OFF button for more than 2s to turn on the massager, and the default working time is 10 minutes before turning off;
Press and hold the ON/OFF button for more than 2s to turn off the massager.
 - ② Mode button:
When the massager is powered on, the default mode is deep tissue massage;
Short press the mode button to switch massage modes: deep tissue massage - smoothing massage - cycle in sequence.
 - ③ Heater button:
When the massager is powered on, the default status is low-level heating therapy;
Short press the Heater button to switch heating therapy levels: low-level - high-level - off - cycle in sequence.
 - ④ Intensity button:
When the massager is powered on, the default intensity is low-level;
Short press the intensity button to switch intensity levels: low-level - high-level - cycle in sequence.
3. Place the massager around the neck area on the back, and fasten the buckle at the back. With both hands holding the strap, then the massager can be turned on and used.
4. After being scheduled for 10 minutes, the massager can be turned on again for use if necessary.
5. The average running time of the massager is 1-2 hours depending on the speed and the compress pressure applied during use. The average charging time is approximately 2.5 hours.
6. Charging while using is not allowed.
7. Fully charge the massager for not being used for a long time.

05/ Maintenance And Care

1. Storage

- When not in use, please put the product in a box and place it in a safe, dry, ventilated and cool place.
- Do not use charging cables to suspend products.
- Avoid sharp objects scratching the surface of the product.
- Do not place the product in direct sunlight or high temperature.

2. Cleaning

- Before cleaning, make sure that the product has been turned off. Do not connect the charging cable.

Note: Do not use corrosive cleaners such as benzene or diluents to clean the product.

3. Maintenance

- Keep products clean and away from places with high humidity.
- If the product is not used for a long time, please cover the product with a dust cover (purchased by yourself) to prevent it from falling into dust.

06/ Troubleshooting

- If you encounter any situation when using this product, please refer to the following tips and handling methods. If the abnormal situation continues to occur, immediately stop using this product to prevent accidents, and immediately contact customer service. Do not disassemble or repair this equipment by yourself.

Problem	Possible Cause	Suggestions
The product does not work	1. Low battery 2. Product failure	1. Charge for at least 4 hours. 2. Send to repair
Massage strength is weak	1. L- level on strength. 2. Too much pressure on massager when body lean on it.	1. Press the button to change level. 2. Adjust your body to make it working right.
Stop working suddenly	1. Low battery 2. Finish rated working time. 3. Start over-heating protection due to working too long.	1. Charge the battery. 2. Restart it again 3. Restart it after cooling down
No heat function	Heat function not activated	Press the "Heat" button to activate the heat function
Friction noise between the massage head and internal components, or motor noise during operation	These are normal operational sounds and not product malfunctions.	Normal use

07/ Warranty

1. This warranty is non-transferable.
2. The valid warranty period of this product is one year.
3. From the date of purchase, users can enjoy full warranty free during the warranty period (appearance is not within the scope of warranty).
4. When requiring warranty service, please show the original purchase certificate and warranty card.
5. The purchase time shall be subject to the order placing time.
6. This warranty does not apply to leasing, trading, commercial, institutional and other residential users.
7. The following circumstances do not belong to the scope of warranty, and only paid maintenance services are provided (labor fees and material fees are charged).
 - A) Any damage caused by human factors, including use under abnormal working environment, non-use and storage according to the instructions, and improper use Caused damage, etc.
 - B) The user disassembles, repairs or refits the machine by himself or a third party disassembles, refits or repairs the machine without authorization of the Company.
 - C) Damage caused by improper transportation after purchase.
 - D) Damage caused by other force majeure factors (such as flood, disaster, lightning, earthquake, etc).

Registered form

If you need to refund/change the product, please fill in the information below (please write down "√" in the blanket)

Purchase Order Number (Necessary)	
Purchase Place (Necessary)	
Type	<input type="checkbox"/> Return & Refund <input type="checkbox"/> Change
Reason (Necessary)	
Recommendation	

Email: support@walkingpad.com

Tel: (US) 1-(888)-292-4009, Monday to Friday, 9 a.m. to 5 p.m.

(UK) 44-808-2737620, Monday to Friday, 4 p.m. to 12 p.m. GMT.

08 Environmental Protection

At the end of its service life, please do not discard the product together with general household waste. Before placing the product in the recycling station designated by the government, you can also send the product back to the after-sales service center of the manufacturer. The staff of the service center will treat the product in an environmentally sound manner.

● The name and amount of the harmful substance in the product

Name of parts	Poisonous or harmful substance or element					
	Pb	Hg	Cd	Cr(VI)	PBB	PBDE
Outer Shell	○	○	○	○	○	○
Circuit board piece	X	○	○	○	○	○
Metal Parts	X	○	○	○	○	○
Rubber Parts	○	○	○	○	○	○
Power Line	X	○	○	○	○	○

This form is prepared in accordance with SJ/ T11364

◆ Circuit board components include the components that make up the circuit board machine, such as resistors, capacitors, integrated circuits, connectors, and so on.

○: Indicates that the content of the hazardous substance in all homogeneous materials of the part is below the limit requirements specified in GB/T 26572.

X: Indicates that the hazardous substance exceeds the limit requirements specified in GB/T 26572 in at least one homogeneous material of the part.

This appliance can be used by children aged from 8 years and above and persons with reduced physical, sensory or mental capabilities or lack of experience and knowledge if they have been given supervision or instruction concerning use of the appliance in a safe way and understand the hazards involved. Children shall not play with the appliance.

Cleaning and user maintenance shall not be made by children without supervision.

The appliance must only be supplied at safety extra low voltage corresponding to the marking on the appliance.

The appliance has a heated surface. Persons insensitive to heat must be careful when using the appliance.



This marking indicates that this product should not be disposed with other household wastes throughout the EU. To prevent possible harm to the environment or human health from uncontrolled waste disposal, recycle it responsibly to promote the sustainable reuse of material resources. To return your used device, please use the return and collection systems or contact the retailer where the product was purchased. They can take this product for environmental safe recycling.

● Environmentally friendly use term description

The term of 10 years for the use of the electronic and electrical products under the conditions described in the instruction manual without leakage of harmful substances or elements, pollution to the environment or serious damage to human life and property.



The number in this label indicates that the environmental protection service period of the product under normal use condition is 10 years.

Some parts may also have green life labels. The green life shall be determined by the number in the labels.

● Environmental protection proposal

Dear User

Hello!

Earth is our common home, is also our only home, health is our common pursuit of the goal. For the healthy growth of you and your family, let us together to maintain our environment, our only living environment!

Our Environmental Policy:

1. Comply with environmental laws and regulations.
2. Carry out the reduction campaign of resources, provincial energy and waste in all areas of the enterprise
3. Gradually reduce environmental pollution on the existing basis and promote the improvement of the surrounding environment.
4. Combine environmental protection with enterprise development.
5. Encourage employees to seek further improvement of the environment and take positive measures.

Please deal with the packaging of our products according to the following requirements

No.	Packing Items	Shape	Can be recycled	Processing Mode
1	Outer Carton	Solid	Yes	You can take it to your local recycle station
2	Styrofoam			
3	Plastic packing bag			
4	Packing bag			
5	Bubble wrap			