

Hardware and Parts

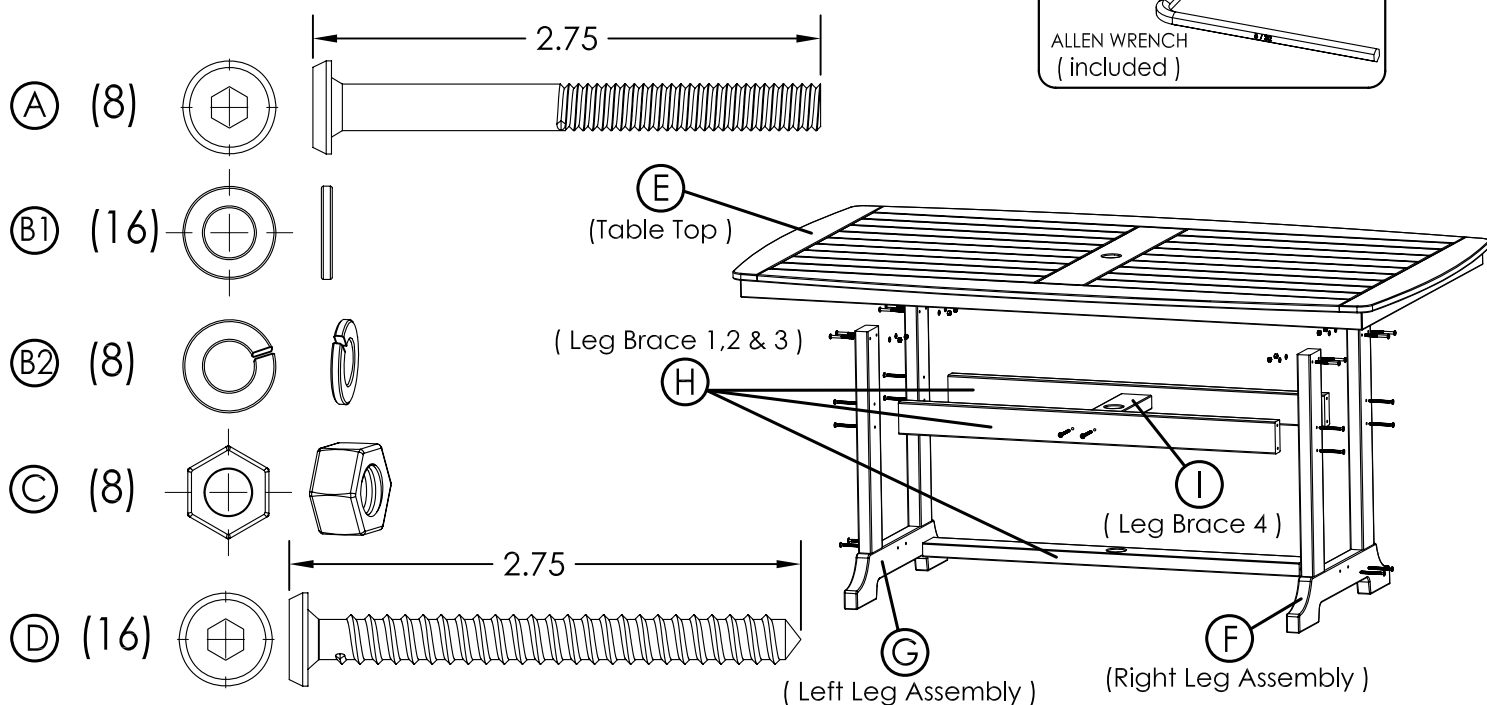


Figure 1

Assembly Instructions

- 1 - Attach part (G), Left Leg Assembly, to part (E), Table Top, as shown in Figure 1 see detail 1 using (4) of joint connector bolts (A), (8) washers (B1), (4) lock washers (B2) and (4) hex nuts (C), tighten bolts using an Allen Wrench .

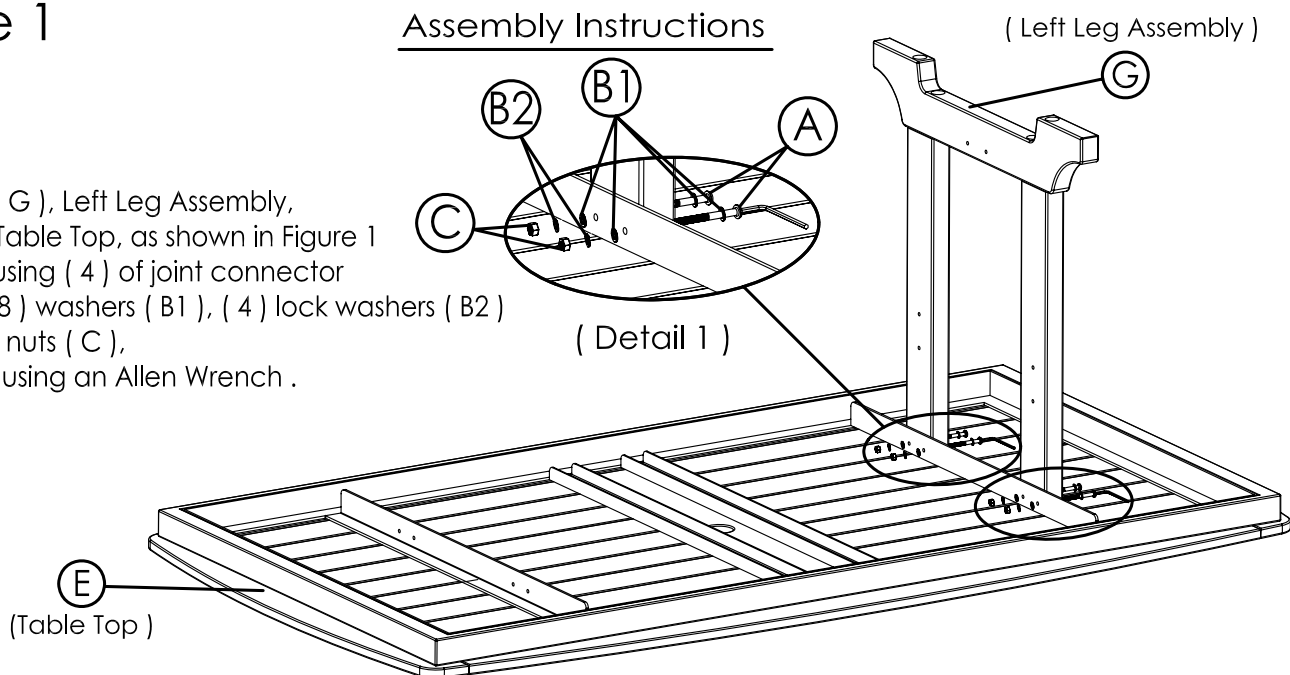


Figure 2

- 2 - Attach part (F), Right Leg Assembly , To Assembly from figure 1, as shown in figure 2, see detail 2 , using (4) of joint connector bolts (A), (8) washers (B1), (4) lock washers (B2) and (4) hex nuts (C), tighten bolts using an Allen Wrench .

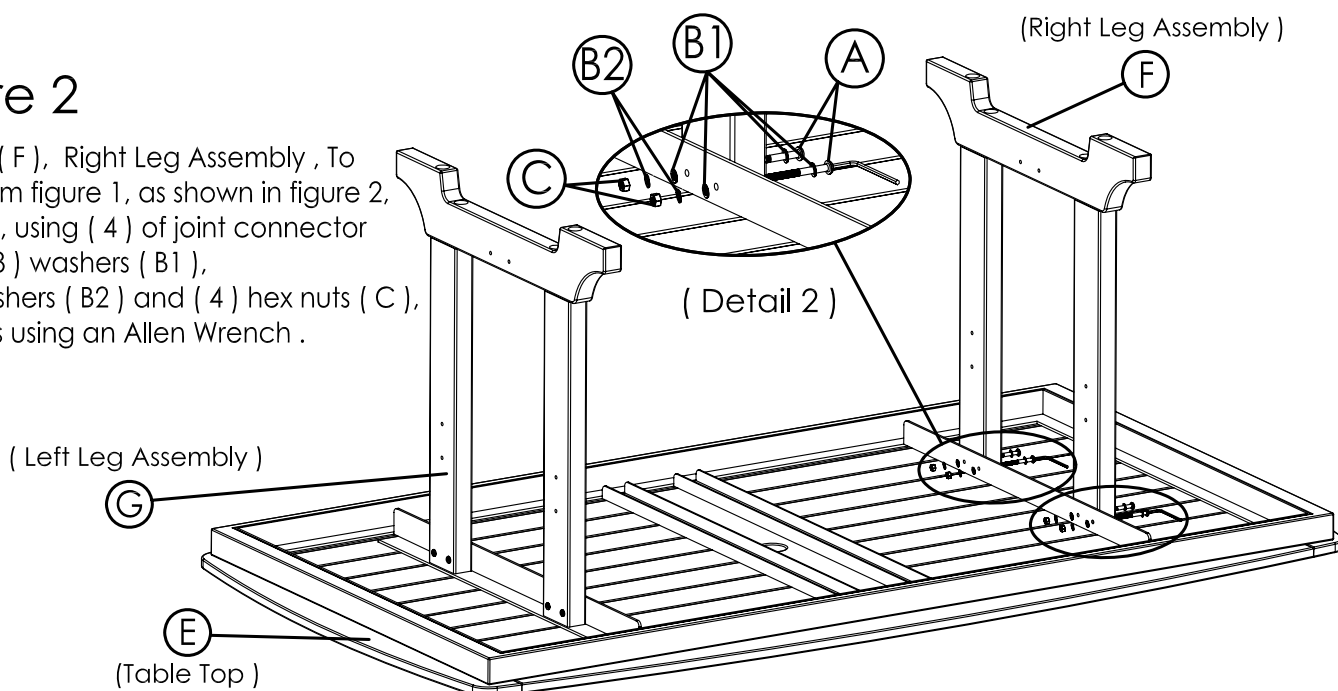


Figure 3

(Detail 3)

3 - Attach parts (H), Leg Brace 1,2,& 3 To Assembly from figure 2, as shown in figure 3, see detail 3 , using (12) of screw (D) and tighten screws using an Allen Wrench .

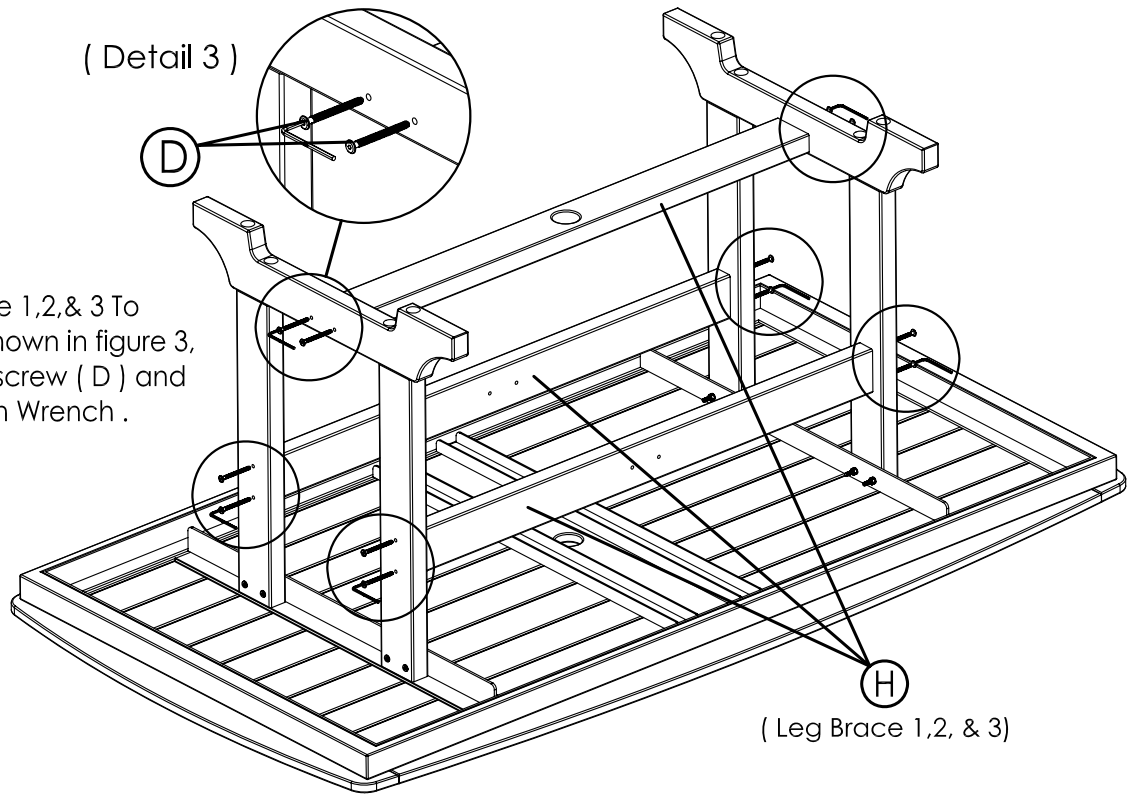
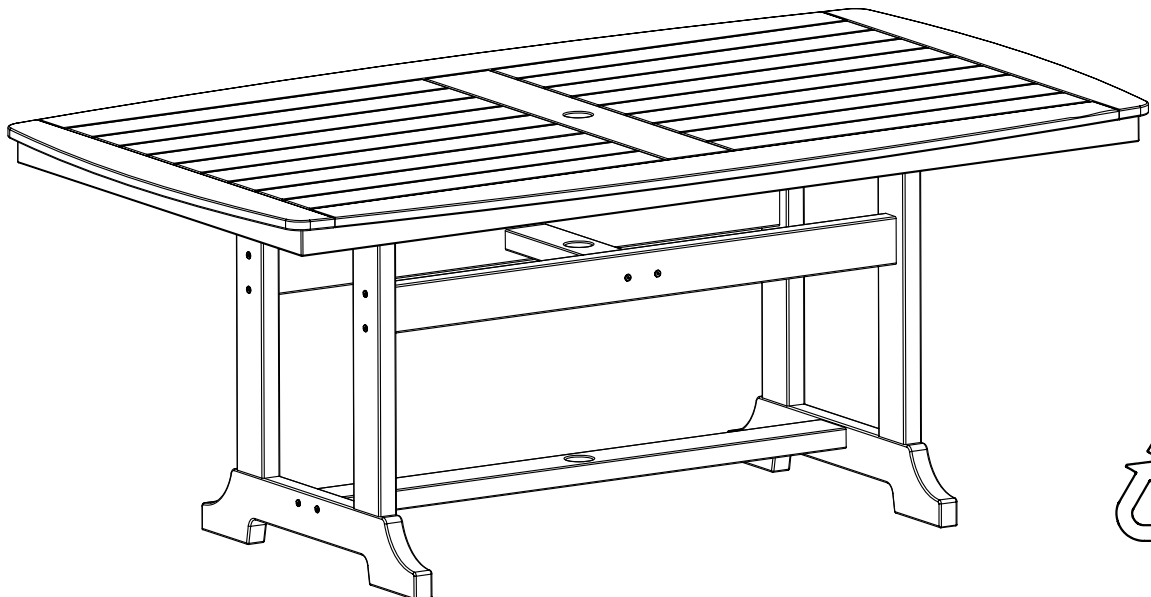
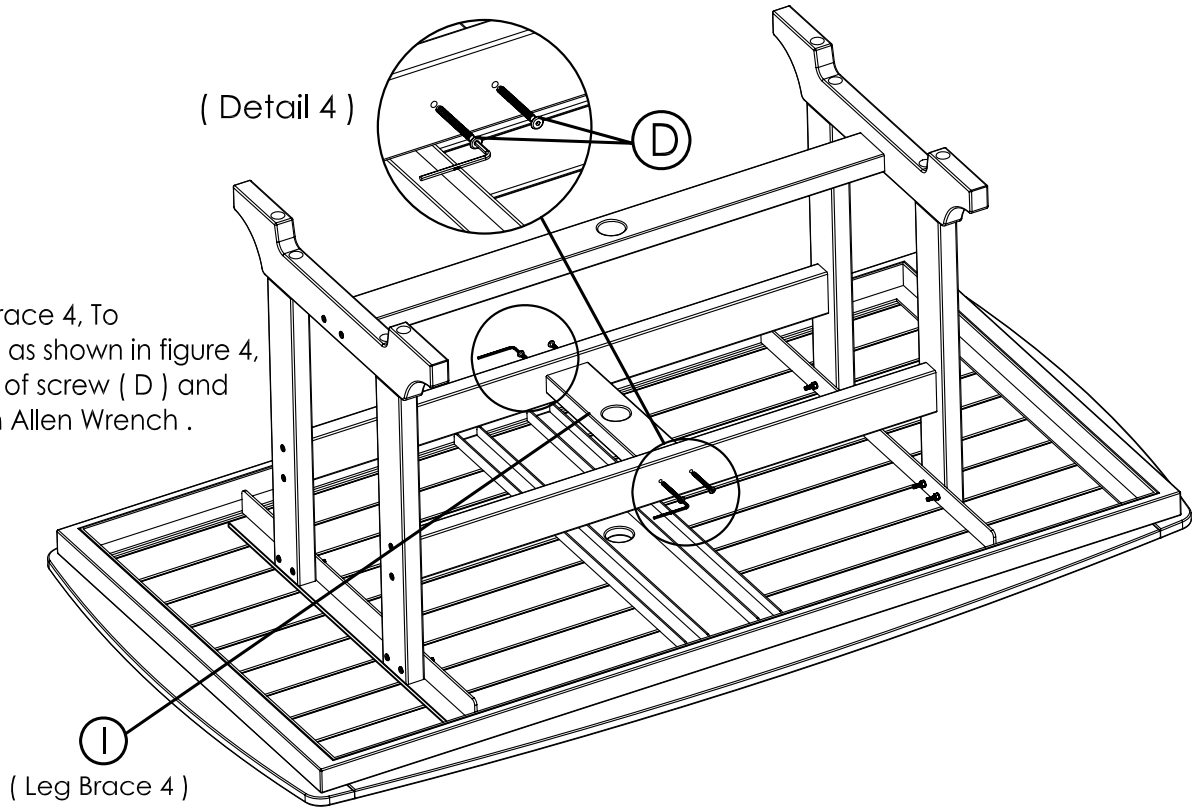


Figure 4

(Detail 4)

4 - Attach part (I), Leg Brace 4, To Assembly from figure 3, as shown in figure 4, see detail 4, using (4) of screw (D) and tighten screws using an Allen Wrench .



CARE AND MAINTENANCE

To clean Your product, use mild soap and water. For heavy soil build-ups use any Non-Abrasive household cleaners.

Please contact one of our Product Specialists for assembly assistance or questions at 1-866-947-7632 or email info@malibu-outdoor.com. Specialists are available weekdays 8:30 a.m. to 4:30 p.m. EST