

Hardware and Parts

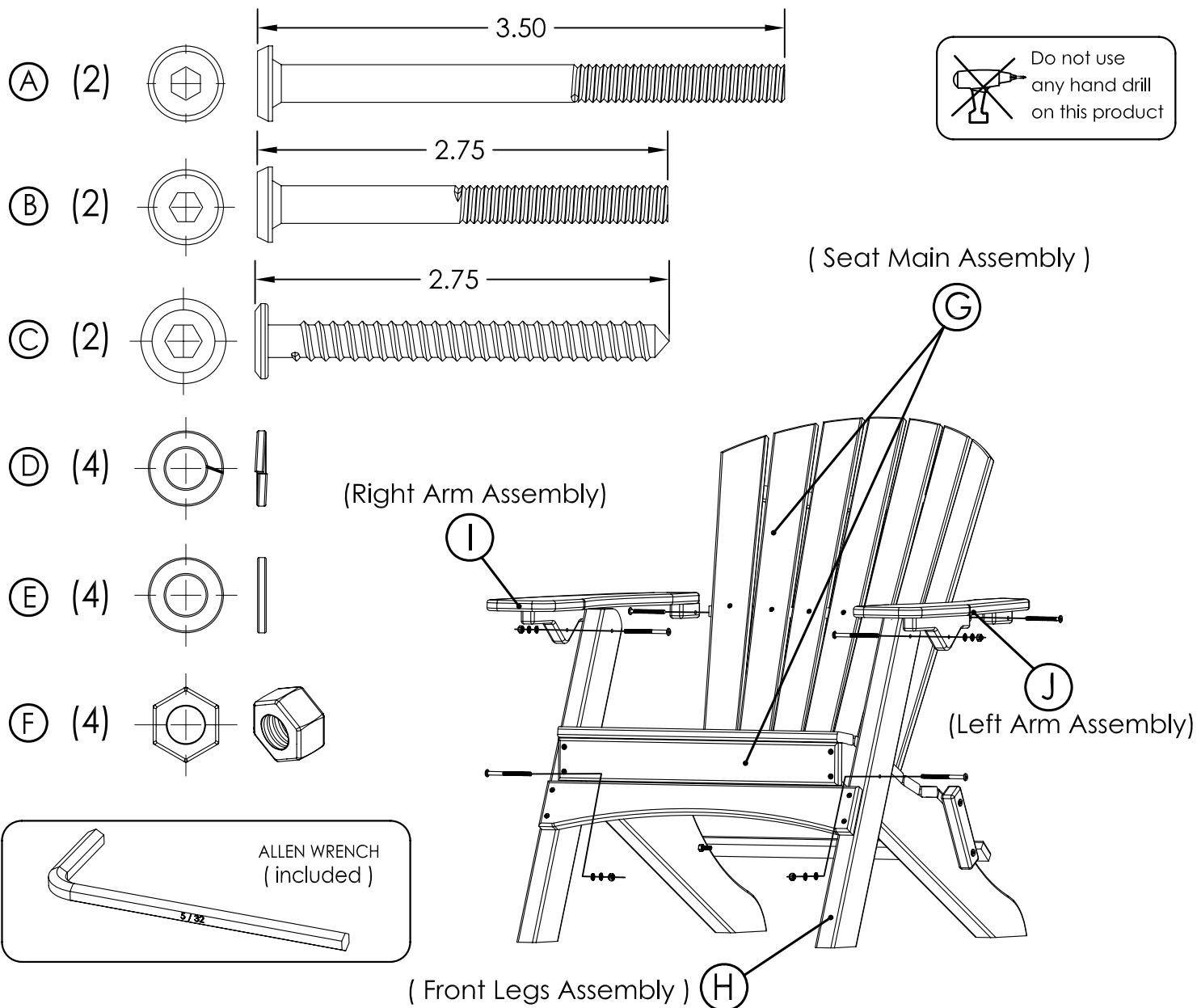


Figure 1

Assembly Instructions

1 - Attach part (H), Front Legs Assembly, to part (G), Seat Main Assembly, as shown in Figure 1 see detail 1 and 2 using (2) of joint connector bolts (A), (2) Lock washers (D), (2) washers (E) and (2) hex nuts (F), tighten bolts using an Allen Wrench.

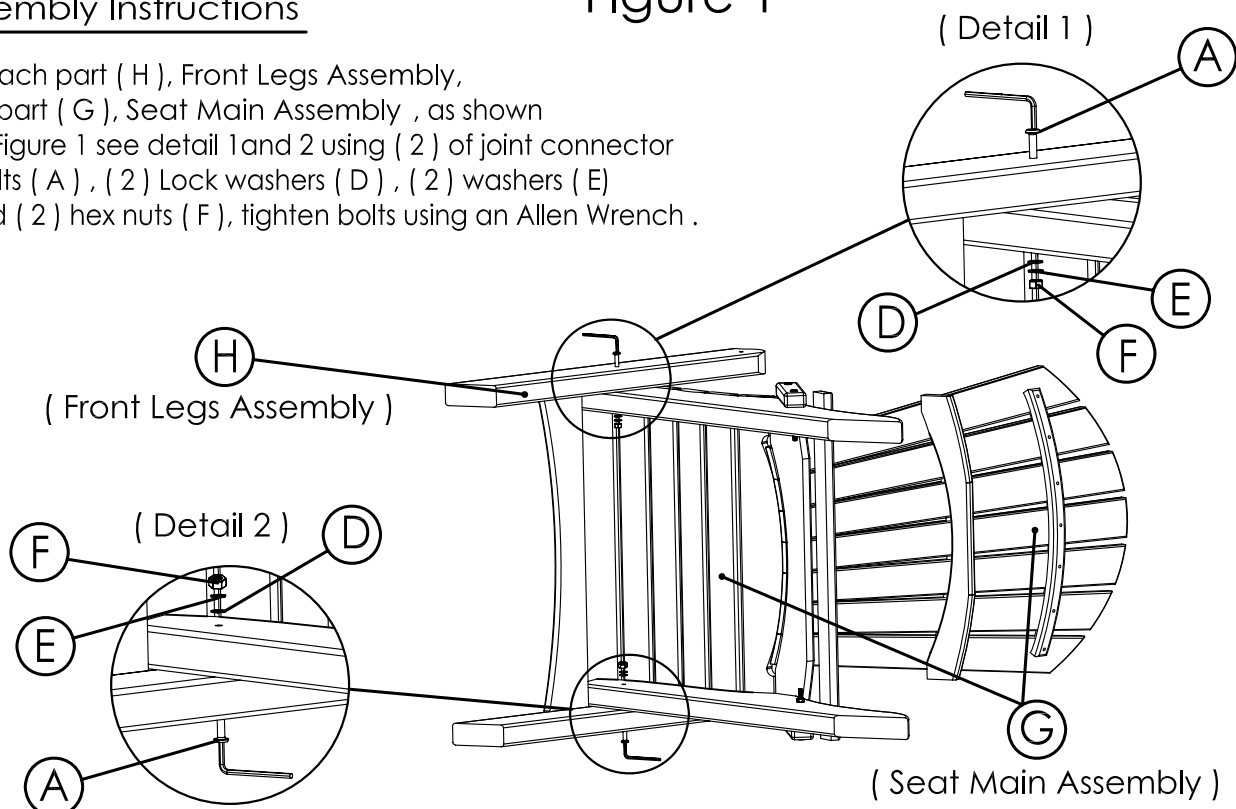


Figure 2

2 - Attach part (I), Right Arm Assembly, and part (J), Left Arm Assembly to assembly from Figure 1, as shown in Figure 2 see detail 3 and detail 4 using (2) of joint connector bolts (B), (2) Lock washers (D), (2) washers (E) and (2) hex nuts (F), tighten bolts using an Allen Wrench .

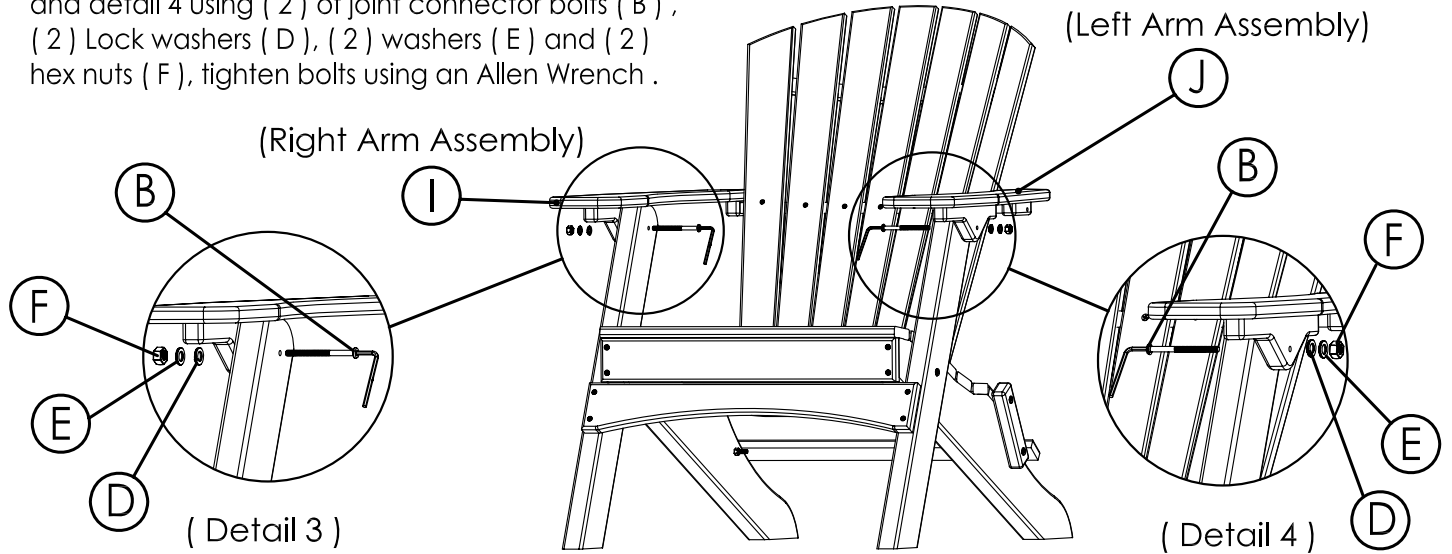
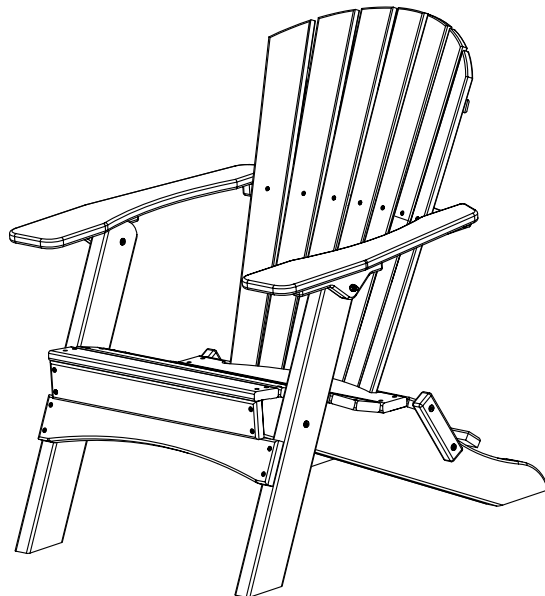
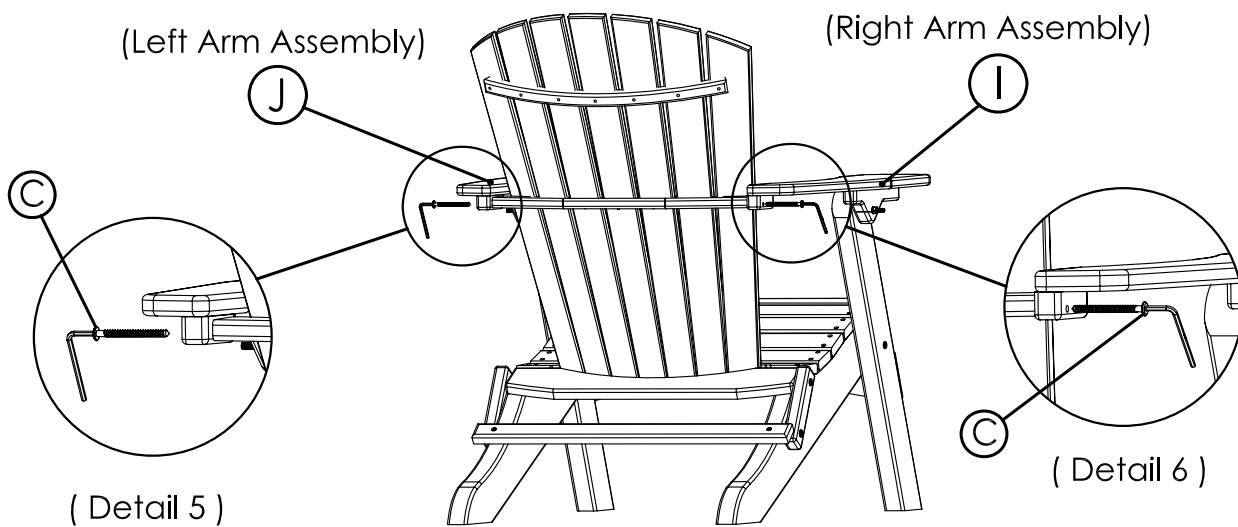


Figure 3

3 - To complete the assembly of part (I), Right Arm Assembly, and part (J), Left Arm Assembly, as shown in Figure 3, see detail 5 and detail 6 using (2) of screw (C) and tighten screws using an Allen Wrench .



CARE AND MAINTENANCE

To clean Your product, use mild soap and water.
For heavy soil build-ups use any Non-Abrasive household cleaners.

