



Assembly Instructions

Wingate Swingbed



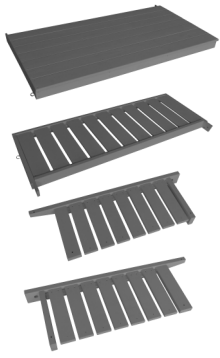
*Thank you for choosing **A&L Furniture Co.***

We hope that this piece brings you many years of enjoyment!

For help with assembling your furniture,
or if you have missing hardware, please email us at
help@aandlfurniture.com or call us at 866-896-5747

PARTS (included)

- Ⓐ Swingbed Seat (1)
- Ⓑ Swingbed Back (1)
- Ⓒ Left Arm (1)
- Ⓓ Right Arm (1)



TOOLS NEEDED

Hammer for Light Tapping
1/2" Wrench or Socket
Screw Gun

HARDWARE (included)

- Ⓐ 5/16" x 6" Bolt (2)
- Ⓑ 5/16" x 3 1/4" Bolt (4)
- Ⓒ 5/16" x 2" Bolt (4)
- Ⓓ Flange Nut (14)
- Ⓔ Eye Bolt (4)
- Ⓕ 2" Wood Screw (14)
- Ⓖ Square Drive Bit (1)
- Ⓗ Chain or Rope (4)



STEP 1

Attach the back to the seat using 2" bolts as shown. (See photos 1 & 2.) Screw a flange nut on to each bolt. (See photo 3.) Tighten with the 1/2" wrench or socket (may have to tap the bolt heads to adjust them properly).

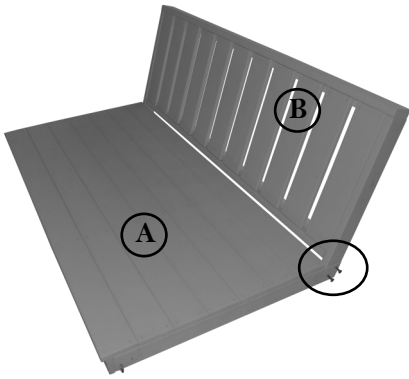


photo 1

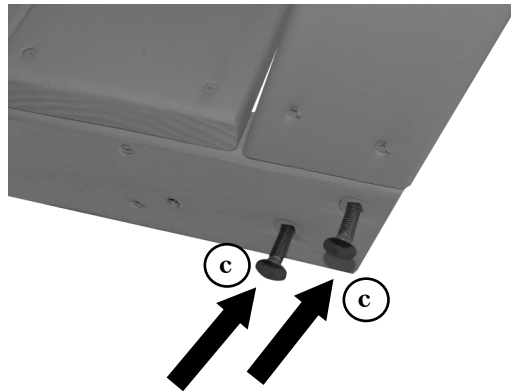


photo 2

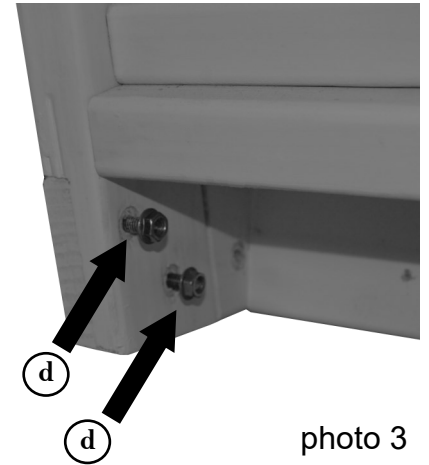


photo 3

STEP 2

Attach the arms using two 3 1/4" bolts in the rear of the arm and 6" bolt in the front. (See photo 4.) Use 2" screws to fasten the slats. (See photo 5.)

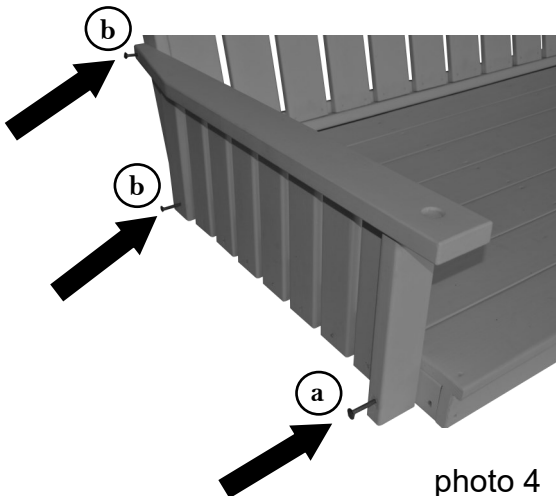


photo 4

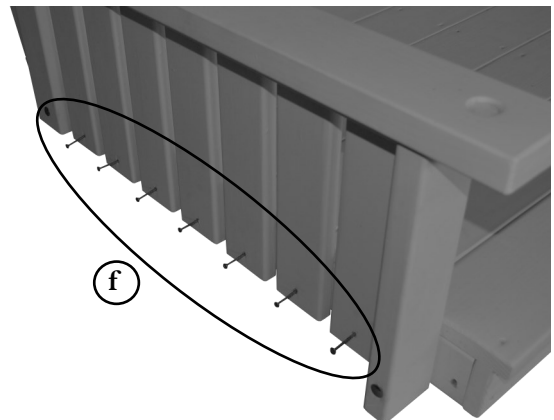
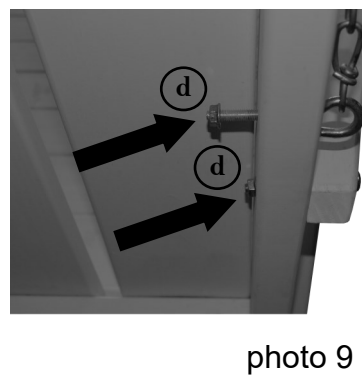
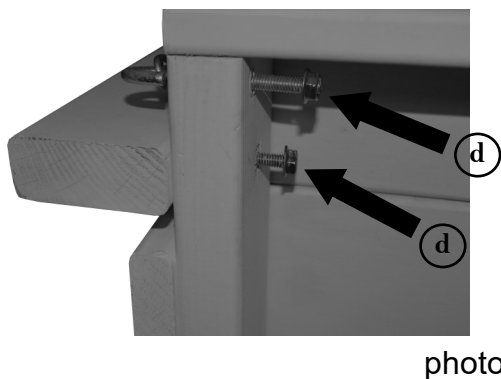
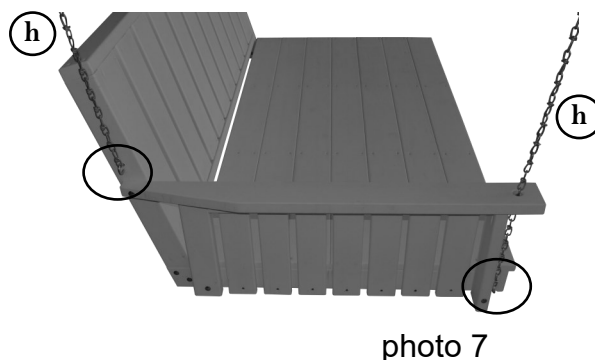
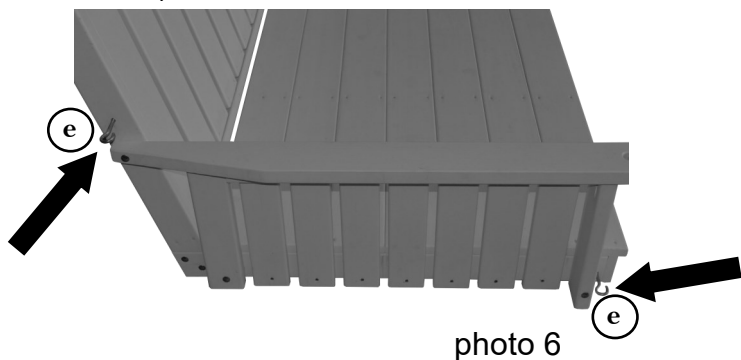


photo 5

STEP 3

Insert the eyebolts. (See photo 6.) Hook the chains to the eyebolts. (See photo 7.) Tip the swingbed back and with someone to hold it for you, you can tighten all the arm bolts and eyebolts with flange nuts. (See photos 8 & 9.)



If your swingbed came with ropes. See instructions below.

STEP 4

Attach the rope to the swingbed. Take a rope, put the end through the hole in the armrest, & through the eyebolt below the arm. Pull on through the eyebolt & make a knot in the end of the rope. (See photos below.) Attach another rope to the eyebolt in the back assembly the same way then repeat on other side. The swingbed is now ready to hang. Hook the rings on hooks at the ceiling or if you purchased comfort springs hook the rings on one end of the springs and hook the other end of the springs to the ceiling. The two ropes on one side of the swing can hook on the same hook for hanging.

STEP 5

You will now need to adjust the ropes until the swingbed is at the desired height. The ropes are all fully adjustable. To lower the swingbed push the bottom loops on the end of the rope further up the rope then hold the top loops with one hand & pull the end of the rope up through the loops. To raise the swingbed pull the rope through the loops in the opposite direction. The ropes attached to the front of the swingbed will need to be adjusted to a different length than the ropes attached to the back. If the swingbed hangs crooked adjust the ropes accordingly until it hangs properly.

How to make a knot:

