



Assembly Instructions

Poly Octagon Walk-in Table



*Thank you for choosing **A&L Furniture Co.***

We hope that this piece brings you many years of enjoyment!

For help with assembling your furniture,
or if you have missing hardware, please email us at
help@aandlfurniture.com or call us at 866-896-5747

PARTS (included)

- (A) Table Top (2)
- (B) Table Leg Assemblies (2)
- (C) Bench Tops (4)
- (D) 1"x5½"x14" Bench Leg Supports (8)
- (E) 1"x5½"x32" Bench Bottoms (4)

TOOLS NEEDED

Power drill or screwdriver

HARDWARE (included)

- 2½" Screws (88)
- 1½" Screws (8)
- ¾" Screws (24)
- 36" Aluminum Strips (4)
- 37" Support Strips (2)
- 42" Support Strips (2)
- Small Poly Blocks (2)
- Square Drive Bit (1)

STEP 1

Lay the table tops upside down. Place the aluminum strips along the crosspieces attached to the table tops. Make sure that the tops are aligned correctly then attach the aluminum strips with six ¾" screws in each strip. (See photo 1.) Now attach the small poly blocks directly over the splice in the tops along the outside crosspieces. Attach with 4 - 1½" screws in each block. (See photo 2.)

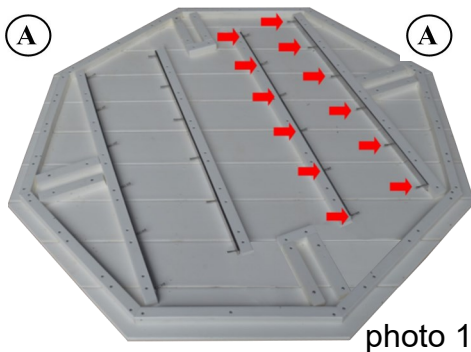


photo 1

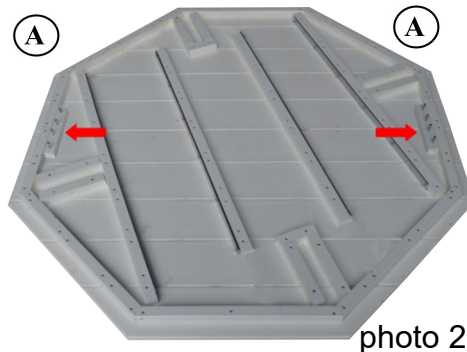


photo 2

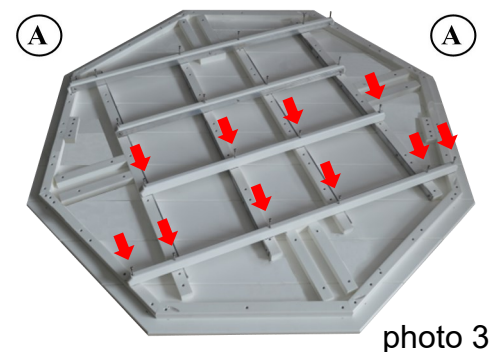


photo 3

STEP 2

Place the 4 support strips between the lines on the table crosspieces. The 42" strips belong on the outside & the 37" strips on the inside. Attach with 6 — 2½" screws in the 42" strips and 4 screws in the 37" strips. (See photo 3.)

STEP 3

Assemble the 4 bench legs. Take two leg supports and attach to a bench bottom. Put two 2½" screws in the predrilled holes in each end of the bench bottom and screw into one end of the leg supports. (See photo 4.)

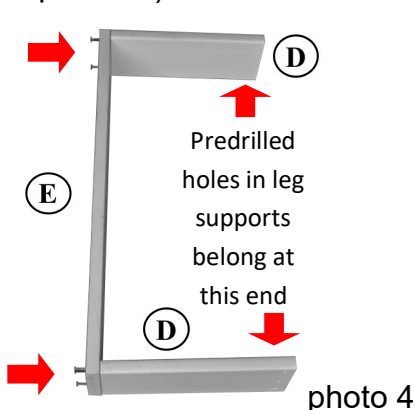


photo 4

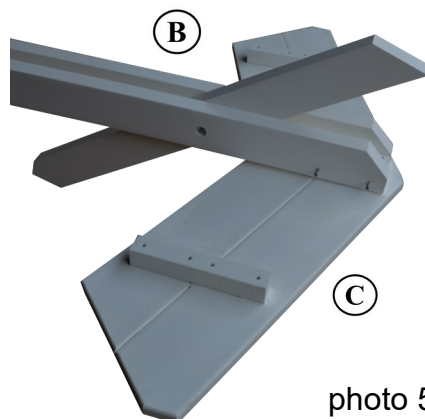


photo 5

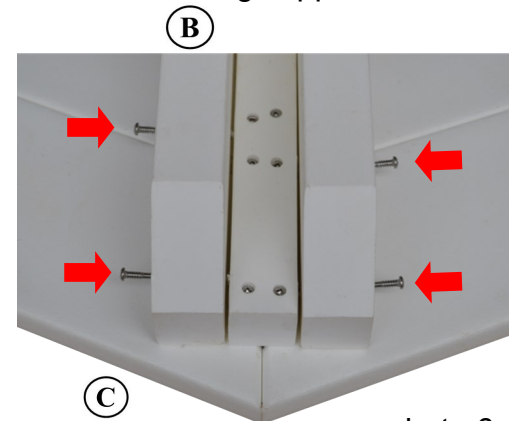


photo 6

Keep 2x2 even with leg supports

STEP 4

Unfold a table leg assembly & place upside down on a table. (See photo 5.) Take a bench top & place upside down with the center 2x2 between the 2x4 table leg support beams. Attach with two 2½" screws on each side (See photos 5 and 6.)

STEP 5

Now take the bench leg assemblies from step 3 and place them on the seat. Align with the outside edges of the 2x2's. Attach with two 2½" screws on each end. (See photos 7 & 8.)

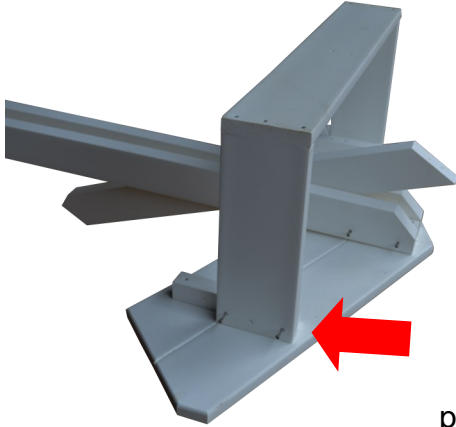


photo 7

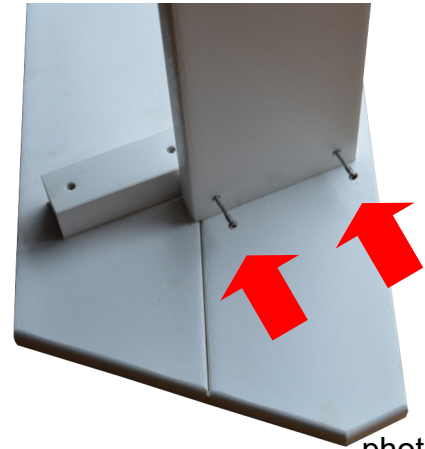


photo 8

STEP 6

Fold the center leg down and attach to the bench bottom. Put one 2½" screw in the predrilled hole in the center of the bench bottom and screw up into the leg. (See photo 9.) Now put the 2 base assemblies together and screw together with 4 - 2½" screws. (See photos 10 & 11.)

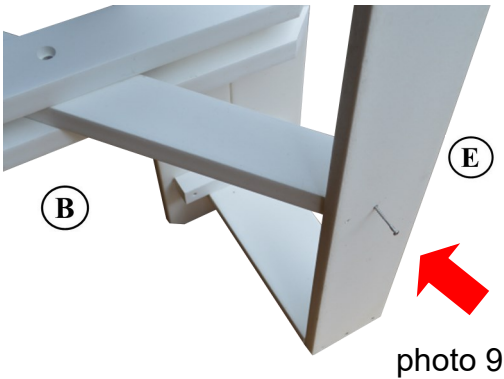


photo 9

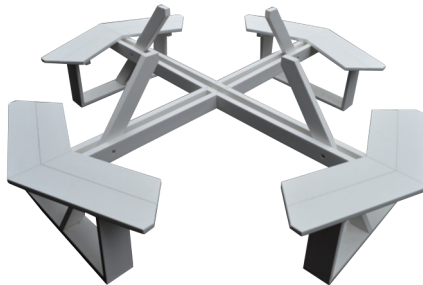


photo 10

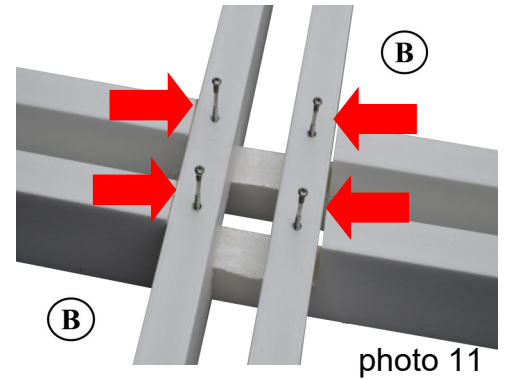


photo 11

STEP 7

Place the table top on the base and latch down into the 4 corners between the 2x2 braces. (See photo 12.) Put one 2½" screw into each 2x2 and screw into the top of the legs. (See photo 13.)

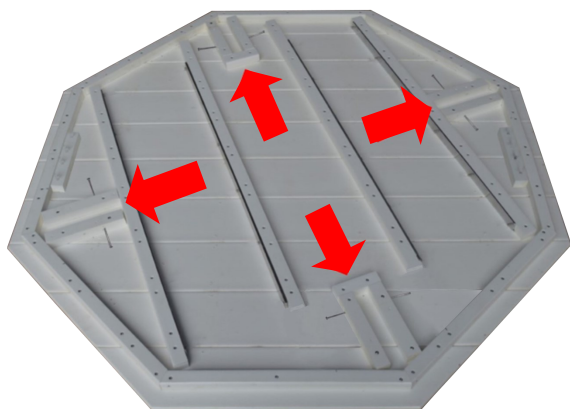


photo 12



photo 13