

Poly Folding Adirondack Chair Parts List

- 1-(A) Seat
- 1-(B) Back
- 1-(C) Right Armrest
- 1-(D) Left Armrest
- 1-(E) Front Crosspiece

Hardware

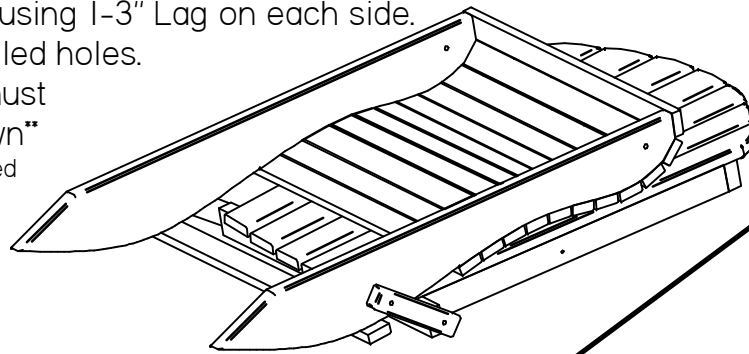
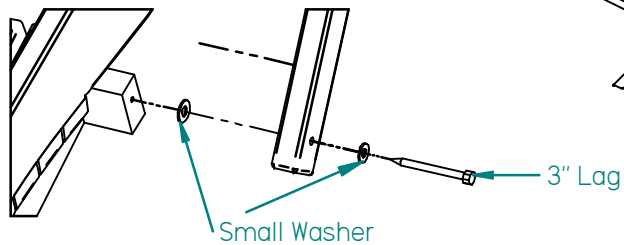
- 2-1/4" x 4" Stainless Steel Lags
- 2-1/4" x 3" Stainless Steel Lags
- 2-5/16" x 2 1/2" Stainless Steel Bolts
- 6-2" Stainless Steel Screws
- 6-3/8" Stainless Steel Washers (large)
- 8-1/4" Stainless Steel Washers (small)
- 2-Stainless Steel Nuts

1. Attach (A) Seat to (B) Back using 1-3" Lag on each side.

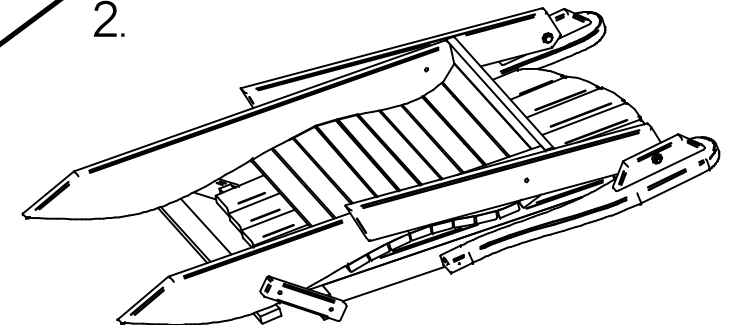
Install Lags only in predrilled holes.

"Lags and 1/4" Washers must be installed in order shown"

(Pre Installed Lags can be loosened one full turn only to make installation easier)



2.



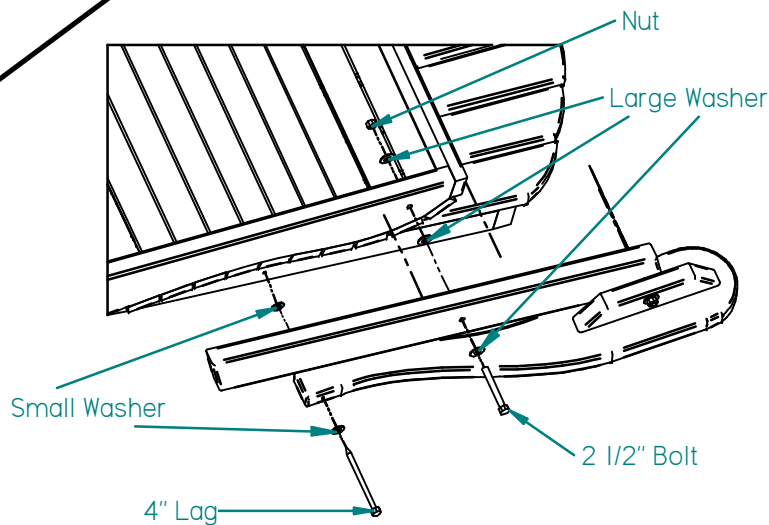
Install 4" Lag and 1/4" washers. Turn in only

halfway before installing

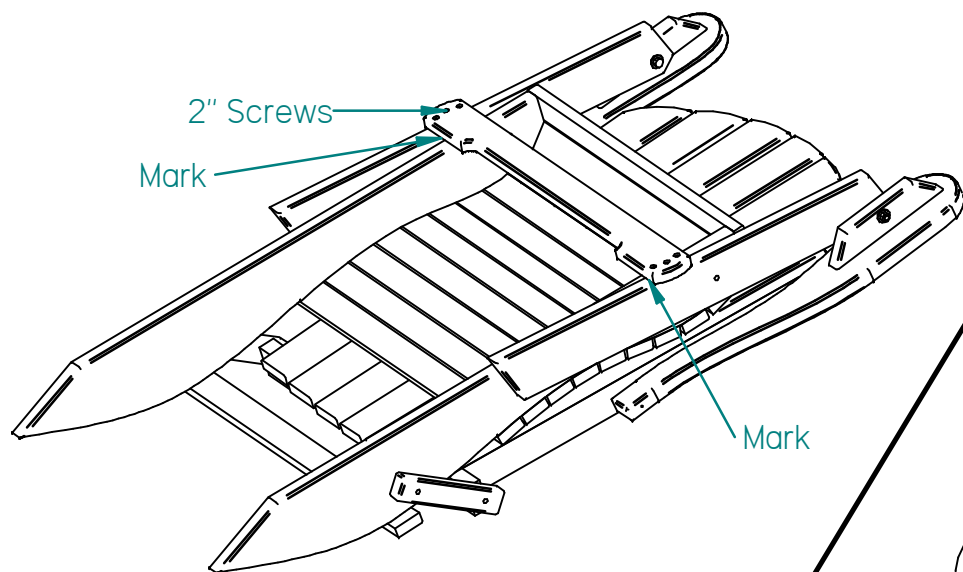
2 1/2" Bolt and 3/8" washers.

Tighten Lag and Bolt together.

"Hardware must be in order shown"



3. Attach Front Crosspiece using 6-2" Screws.
Align bottom edge of Crosspiece with mark on legs.



4.

