



Required Tools:

- Mallet/Non Marring Hammer
(Do not use Metal Headed Hammer)
- Cordless Drill
- #2 Square Drive bit
- 9/16" and 7/16" Wrench or Socket

Hardware:

- (6) 1/4" x 2" Bolts
- (2) 1/4" x 3 1/2" Bolts
- (2) 1/4" x 4" Bolts
- (10) 1/4" Flange Nuts
- (8) 3/8" x 2 1/2" Bolts
- (16) 3/8" Washers
- (8) 3/8" Locknuts
- (4) Glider Hangers
- (8) 3" Screws

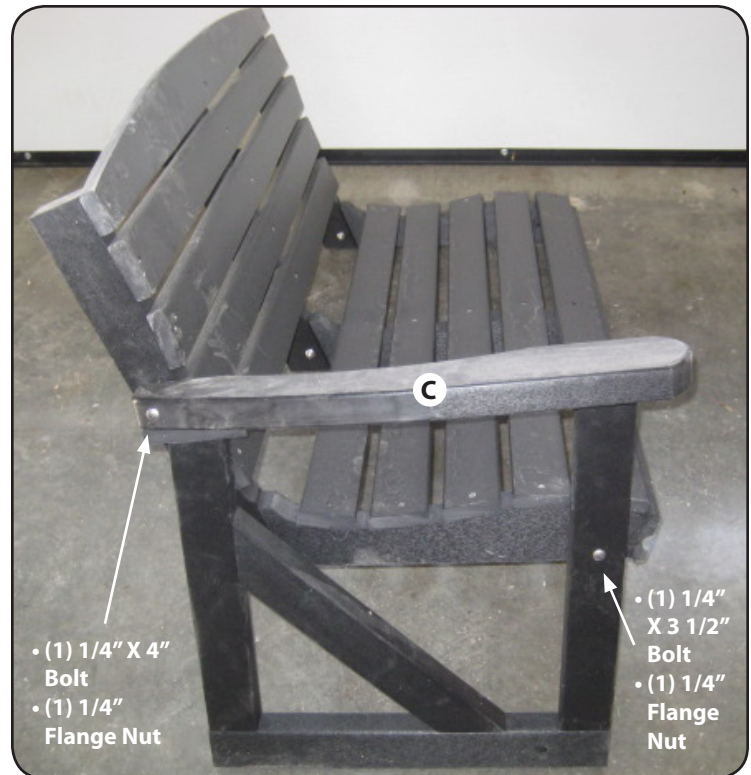
Parts:

- A = (1) Backrest
- B = (1) Seat
- C = (1) Right Arm Assembly
- D = (1) Left Arm Assembly
- E = (2) Glider Bases
- F = (2) Supports



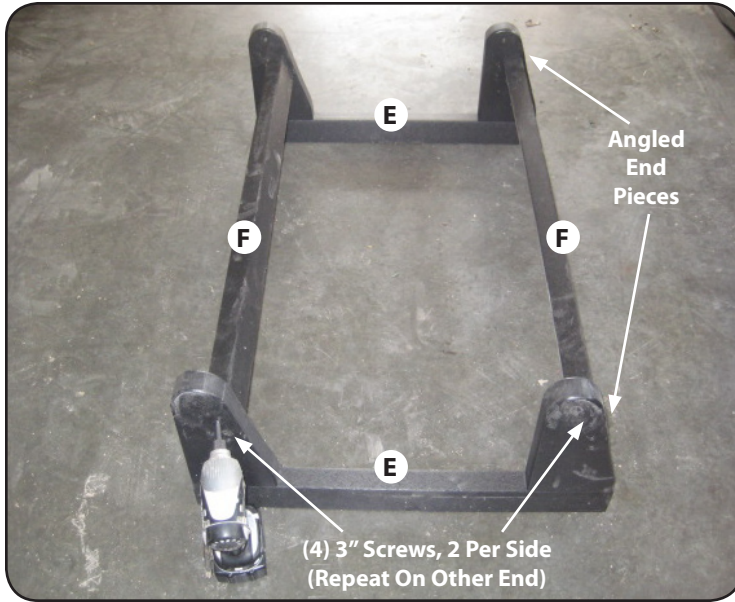
Step 1

Position the backrest (A) and the seat (B) as shown. Fasten the backrest to the three seat supports with (6) 1/4" x 2" bolts and (6) 1/4" flange nuts, two per support.



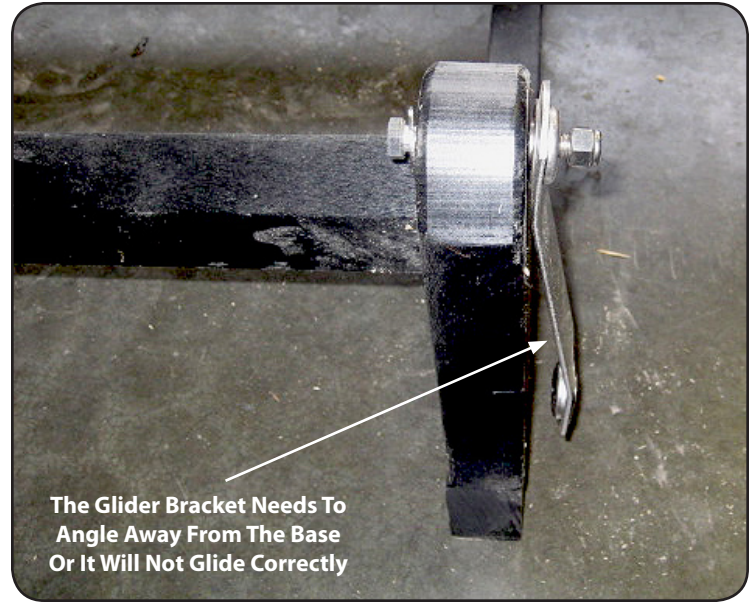
Step 2

Position the right arm assembly (C) as shown. Fasten the arm to the backrest using (1) 1/4" x 4" bolt and 1/4" flange nut, then fasten it to the seat using 1/4" x 3 1/2" bolt and (1) 1/4" flange. Repeat with the left arm assembly (D) on the other side.



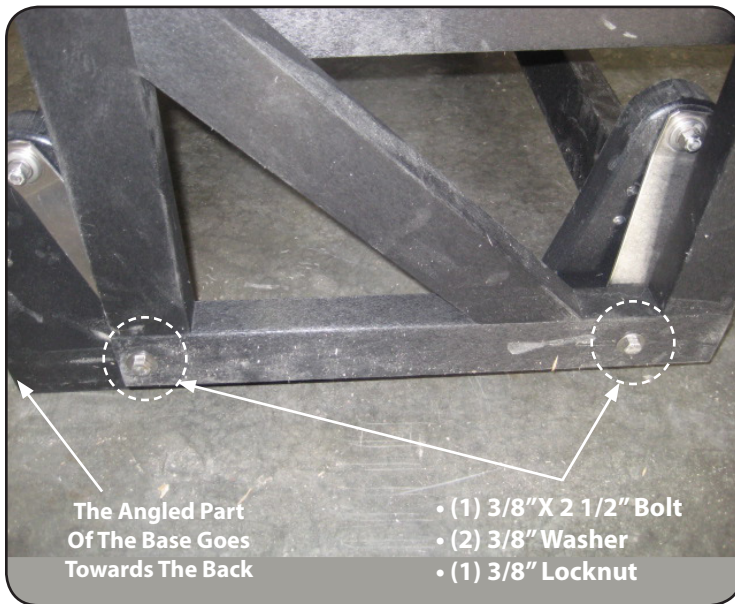
Step 3

Stand the glider bases (E) upright, as shown, making sure the countersink holes are facing outward and the ends of the base pieces that are at an angle both go towards the same end. Position the supports (F) in between the two glider bases, as shown. Fasten the supports to the glider base with (8) 3" screws, two per end on both sides of the base.



Step 4

Slide (1) 3/8" washer onto (1) 3/8" x 2 1/2" bolt and tap it through one of the holes on the top of the glider base from the inside to the outside, and add (1) 3/8" washer, then place a glider bracket with the curve facing away from the base onto the bolt, and add (1) 3/8" locknut. (Note: The glider bracket will be on the outside of the base so you can attach it to the arm assembly in Step 5). Repeat with remaining 3 glider brackets on remaining 3 holes.



Step 5

Place the seat assembly over the base assembly, turning the base so the part that has an angle goes towards the back of the glider. Slide (1) 3/8" washer onto (1) 3/8" x 2 1/2" bolt and push it through one of the holes from the outside to the inside on the arm assembly and through the glider bracket, add (1) 3/8" washer and (1) 3/8" locknut, do the same for the second hole. Repeat with the other arm assembly on the other side of the glider.



Step 6

Your glider is now complete.

Thank you for purchasing from Wildridge.