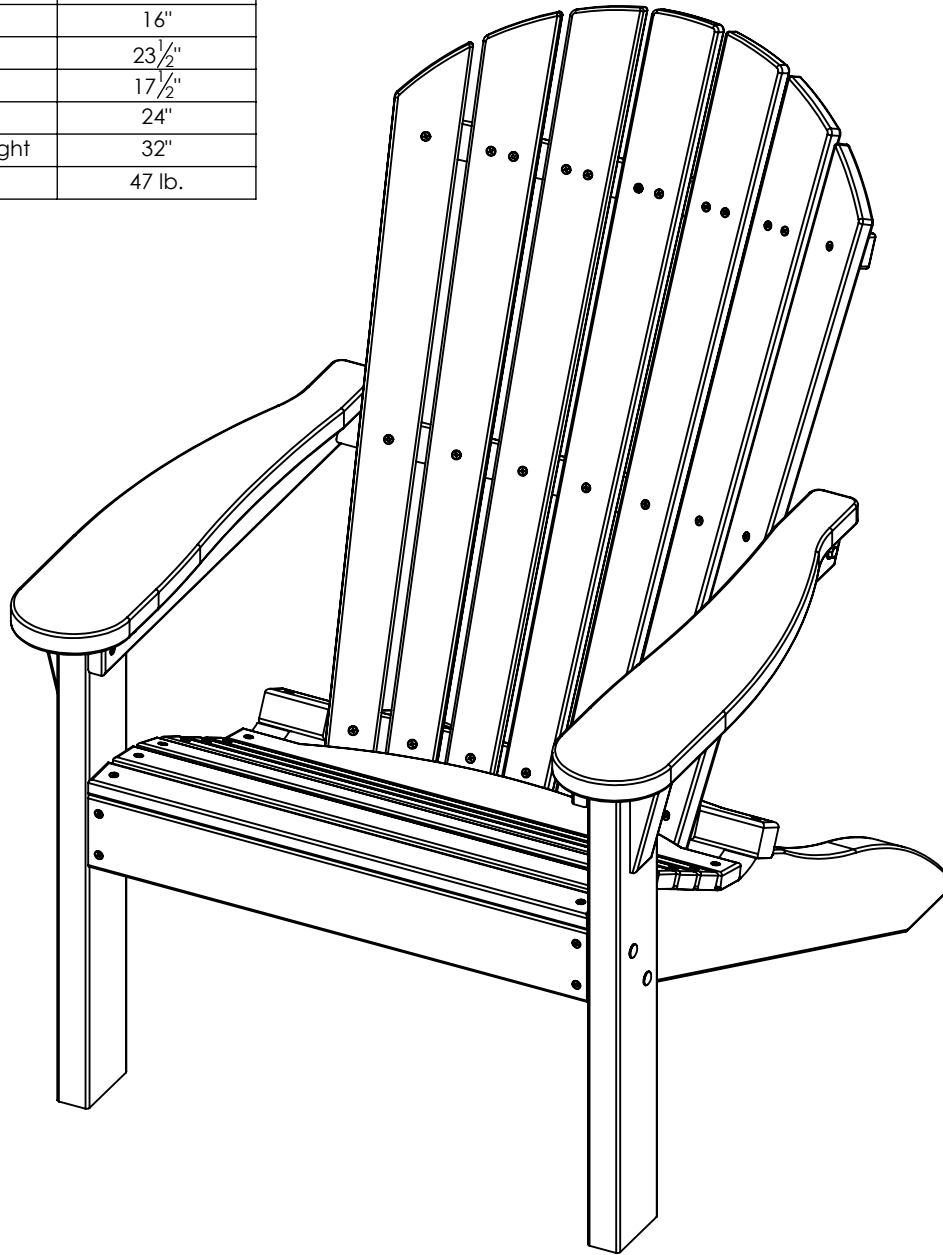


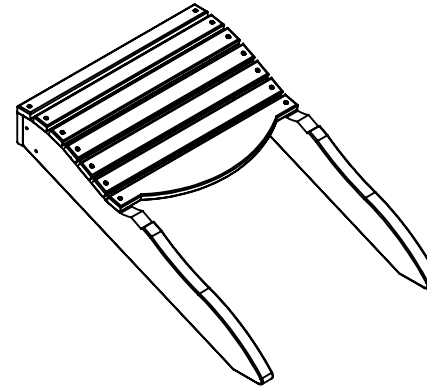
GENERAL SPECIFICATIONS	
Overall Width	30 ³ / ₄ "
Overall Depth	34 ¹ / ₂ "
Overall Height	40"
Seat Height	16"
Seat Width	23 ¹ / ₂ "
Seat Depth	17 ¹ / ₂ "
Arm Height	24"
Backrest Height	32"
Weight	47 lb.

ADIRONDACK CHAIR

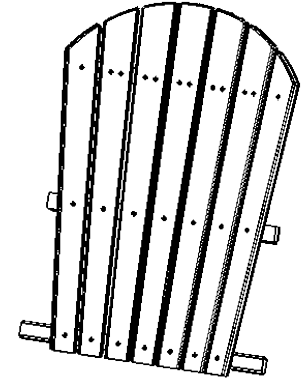


COMPONENTS

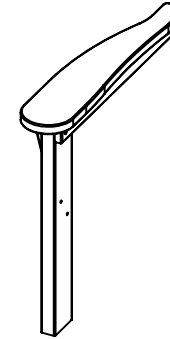
(1) SEAT ASSEMBLY



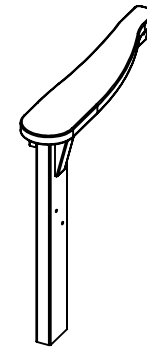
(1) BACKREST ASSEMBLY



(1) ARMREST & LEG ASSEMBLY (RIGHT)



(1) ARMREST & LEG ASSEMBLY (LEFT)



HARDWARE

PART NO.	DESCRIPTION	QTY.
1	2 1/2" Screw	2
2	1/4" Washer	2
3	1/4"-10 x 3" Lag Bolt	2
4	1/4"-20 Flange Nut	4
5	1/4"-20 x 3 1/2" Carriage Bolt	4

NOTE: PART NUMBERS CORRESPOND TO BUBBLES WITH ASSEMBLY INSTRUCTIONS.

WILDRIDGE
KNOWLEDGE • QUALITY • ADIRONDACK FURNITURE

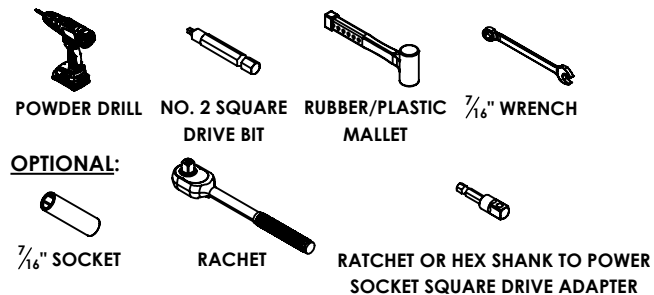
P.O. BOX 455, BERLIN OH 44610
 PHONE: (330) 893-4212 | FAX: 330.893.6406
 EMAIL: SALES1@COTTAGEKITS.COM
 ADMINISTRATION: 4550 SR 39, MILLERSBURG, OH 44654
 DISTRIBUTION: 4070 SR 39, MILLERSBURG, OH 44654

PROPRIETARY AND CONFIDENTIAL
 THE INFORMATION CONTAINED IN
 THIS DRAWING IS THE SOLE PROPERTY
 OF WILDRIDGE. ANY
 REPRODUCTION IN PART OR AS A
 WHOLE WITHOUT THE WRITTEN
 PERMISSION OF WILDRIDGE IS
 PROHIBITED.

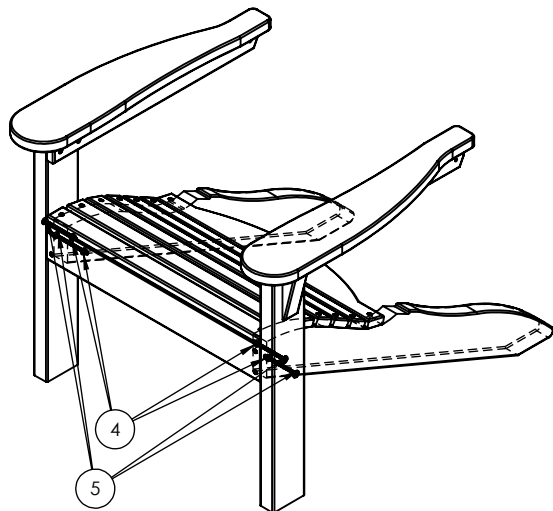
ITEM NO.
LCC-110
 SHEET 1 OF 2

ASSEMBLY INSTRUCTIONS

REQUIRED TOOLS

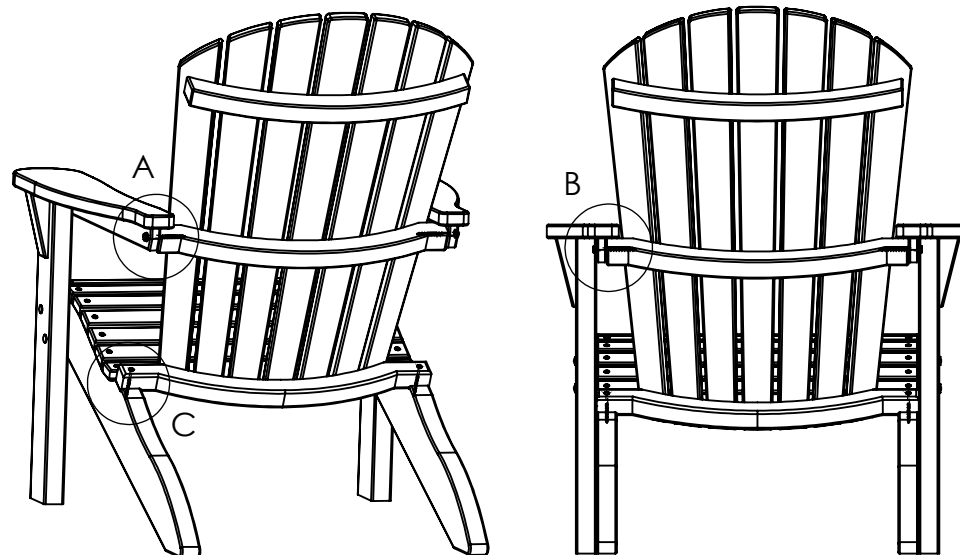


1. ATTACH ARMREST & LEG ASSEMBLIES TO SEAT ASSEMBLY

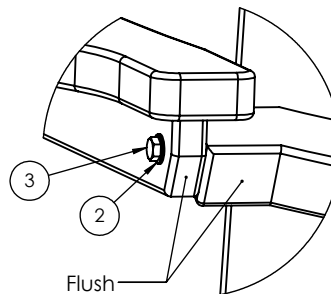


Attach left and right legs to seat assembly using $3\frac{1}{2}$ " carriage bolts, and $\frac{1}{4}$ " flange nuts. Ensure that armrest support wedges are facing outward.

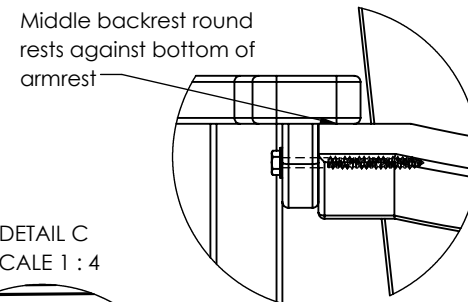
2. ATTACH BACKREST ASSEMBLY TO ARMRESTS & SEAT ASSEMBLY



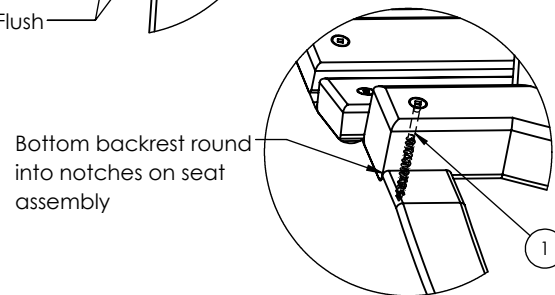
DETAIL A
SCALE 1 : 4



DETAIL B
SCALE 1 : 4



DETAIL C
SCALE 1 : 4



1. Attach armrest support to middle backrest round with 3" lag bolt and $\frac{1}{4}$ " washer.
2. Attach bottom backrest round to seat assembly using $2\frac{1}{2}$ " screws.

WILDRIDGE
 KNOWLEDGE • QUALITY • RUSTIC FURNITURE

P.O. BOX 455, BERLIN OH 44610
 PHONE: (330) 893-4212 | FAX: 330.893.6406
 EMAIL: SALES1@COTTAGEKITS.COM
 ADMINISTRATION: 4550 SR 39, MILLERSBURG, OH 44654
 DISTRIBUTION: 4070 SR 39, MILLERSBURG, OH 44654

PROPRIETARY AND CONFIDENTIAL
 THE INFORMATION CONTAINED IN
 THIS DRAWING IS THE SOLE PROPERTY
 OF WILDRIDGE. ANY
 REPRODUCTION IN PART OR AS A
 WHOLE WITHOUT THE WRITTEN
 PERMISSION OF WILDRIDGE IS
 PROHIBITED.

ITEM NO.
LCC-110
 SHEET 2 OF 2