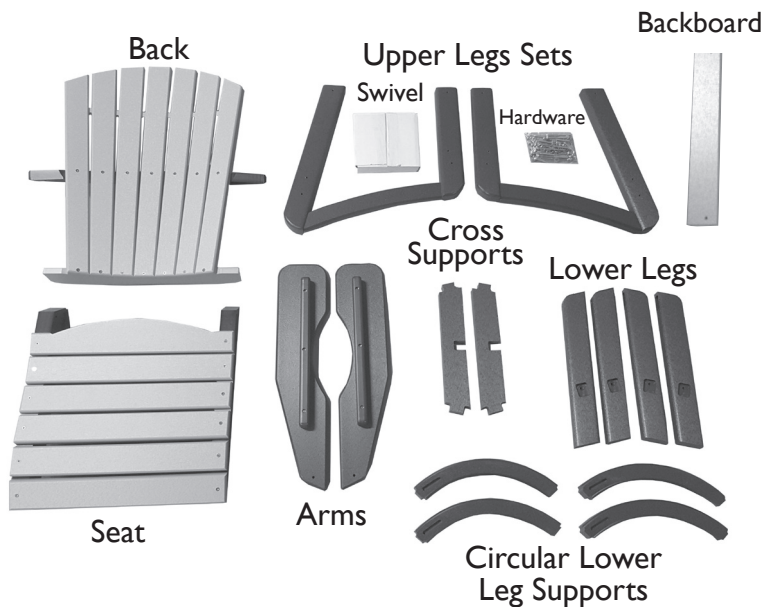


ASSEMBLY INSTRUCTIONS CL131B,C or D Swivel Arm Chair

Tools Not Included but Required: 7/16" wrench, or socket & ratchet and a power drill

Tools Included: #2 Square Drive Bit, 4mm Driver Bit



Parts Included:

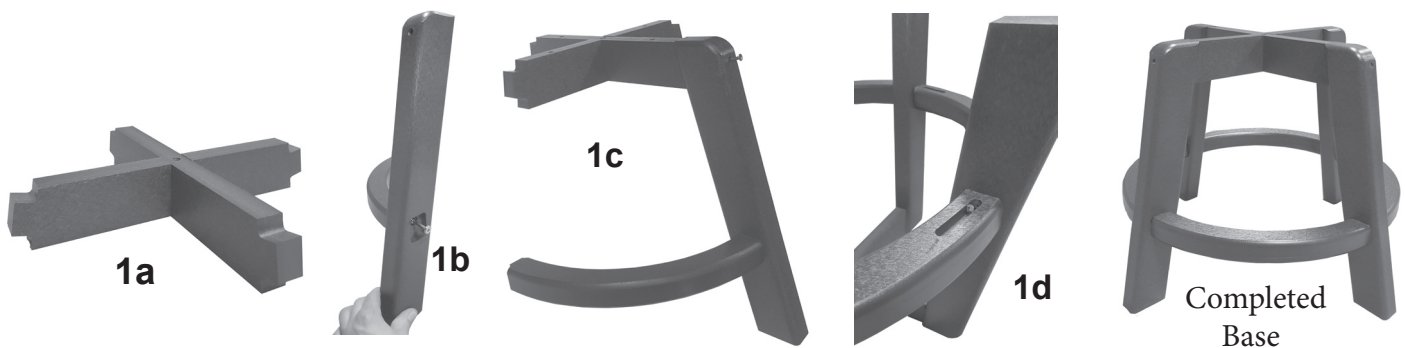
- 1 - Back
- 1 - Seat
- 2 - Arms
- 2 - Cross Supports
- 1 - Swivel
- 2 - Upper Leg Sets
- 4 - Circular Lower Leg Supports
- 4 - Lower Legs for Base
- 1 - Backboard

Stainless Steel Hardware Included:

- 8 - 3-1/2" Bolts
- 4 - 2 3/4" Bolts
- 2 - 2-1/2" Bolts
- 4 - 3" Lag Screws
- 4 - 1 5/8" Deck Screws
- 5 - 2" Deck Screws
- 4 - 4" Deck Screws
- 8 - 1 1/2" Lag Screws
- 14 - flanged lock nuts

1. Assembling the base.

- 1a:** Take the set of interlocking cross supports and secure them together using a 2" deck screw making sure the provided screw hole is facing up.
- 1b:** Next take one of the four lower legs for the base and attach one circular lower leg support using a 3" lag screw making sure to place the pocket of the circular lower leg support towards the ground. Repeat for the other three legs.
- 1c:** Next, attach one lower leg to the cross section you assembled in step 1a using a 4" deck screw. Then repeat with the three remaining legs. Make sure to insert the circular support into each pocket as you go.
- 1d:** Next, flip the base over and finish screwing the circular supports to each leg using four 2" deck screws.



Step 2



2. Attach the swivel to the completed base using four 1 1/2" lag screws. The nut on the swivel faces up and it will be easier to start all four lag screws in each pilot hole first and then tighten them down.

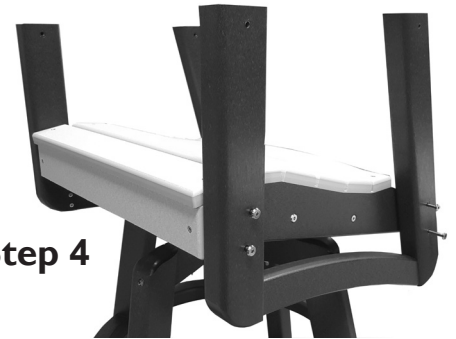
NOTE: Swivel will loosen after some use.

Step 3



3. Attach the base to the seat using four 1 1/2" lag screws. You may need to rotate the seat a little as you start each lag screw in each pilot hole. Then tighten each lag screw.

4. Determine your left and right upper leg sets. The screws holding the assembled arm supports together should face in towards each other. Place a 3-1/2" bolt through all 8 holes of the upper leg sets and into the seat. Place a flanged lock nut on each bolt and **HAND TIGHTEN ONLY.**



Step 4

Step 5



5. Attach the arms using four 2 3/4" bolts. The bolts go from the inside of the upper leg sets out through the arm support under each arm. Place a flanged lock nut on each bolt and **HAND TIGHTEN ONLY.**

6. Attach the back of the chair to the seat of the chair using two 1-5/8" deck screws. Make sure to push the chair back up tight to the seat. Then use the two 2-1/2" bolts to secure the arms to the upper back support of the chair back. Place a flanged lock nut on each bolt and fully tighten.

Step 6



Step 7



7. Attach the backboard to the back of the seat using two 1-5/8" deck screws. The holes should be offset towards the top of the chair.

8. Go back and fully tighten all remaining nuts.

9. Enjoy your Perfect Choice Swivel Arm Chair!

Your outdoor furniture is guaranteed for 20 years to never crack, split or fade. To clean, wash with soap and water. For tough stains, use a solution with water and soft scrub with bleach or try our furniture cleaner.

PerfectChoice[®] *furniture*

The perfect choice for lasting comfort and value.

477 Vogt Lane • Chilton, WI 53014 • 800-817-8833

www.backyardnatureproducts.com