

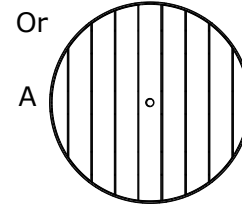
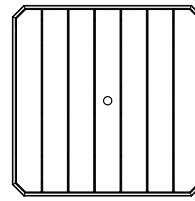


Tools Required

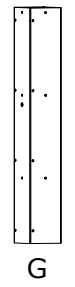
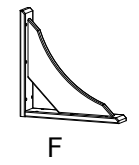
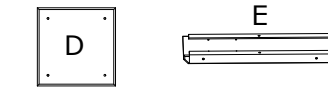
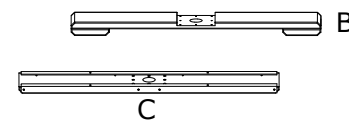
#2 Square Drive Bit
(Not Included)

Parts List

- 1 - (A) Table Top
- 2 - (B) Pedestal Feet
- 1 - (C) Top Long Crosspiece
- 1 - (D) Pedestal Block
- 2 - (E) Top Short Crosspiece
- 8 - (F) Braces
- 1 - (G) Pedestal Column

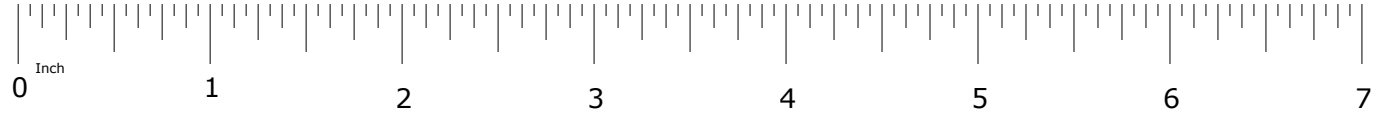


Or
A

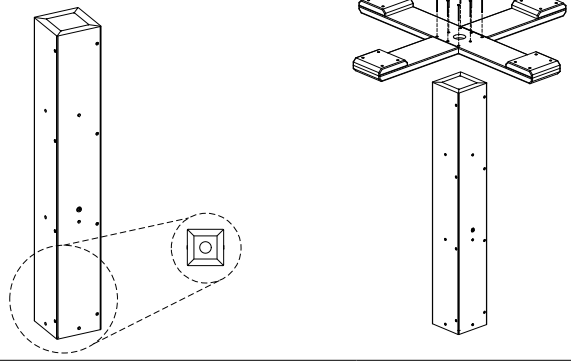


Hardware

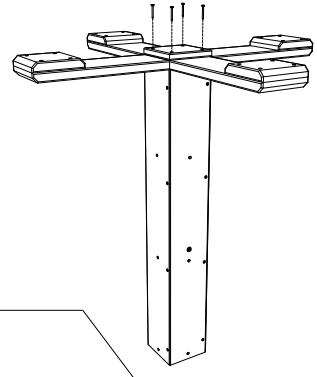
- 16 - 2 1/2" Screws
- 16 - 2" Screws
- 100 - 1 1/2" Screws
- 2 - 2-1/4" T Bolts



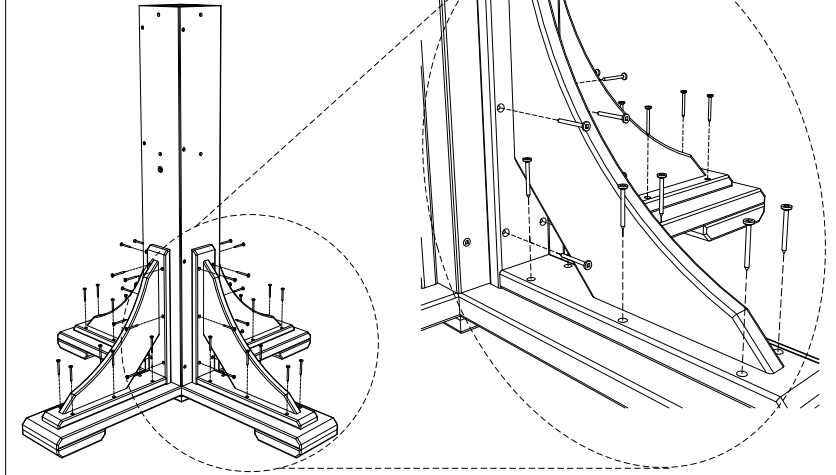
1. Position (G) Column with Umbrella hole facing down on Counter and Bar Height Tables. Attach (B) Pedestal Feet to (G) Column using 8 - 2 1/2" Screws in predrilled holes.



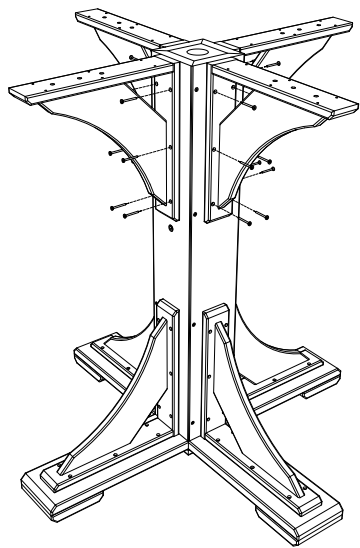
2. Align (D) Pedestal Block in center of Pedestal Feet. Attach (D) Pedestal Block using 4 - 1 1/2" Screws.



3. Attach (F) Brace to each Pedestal Foot using 12 - 1 1/2" Screws per Brace in predrilled holes.



4. Attach (F) Brace to top of Column using 6 - 1 1/2" Screws per Brace, Be sure to center Brace on Column & keep top side flush with Column.



4' Round and 41" Square Poly Table Assembly
Instructions

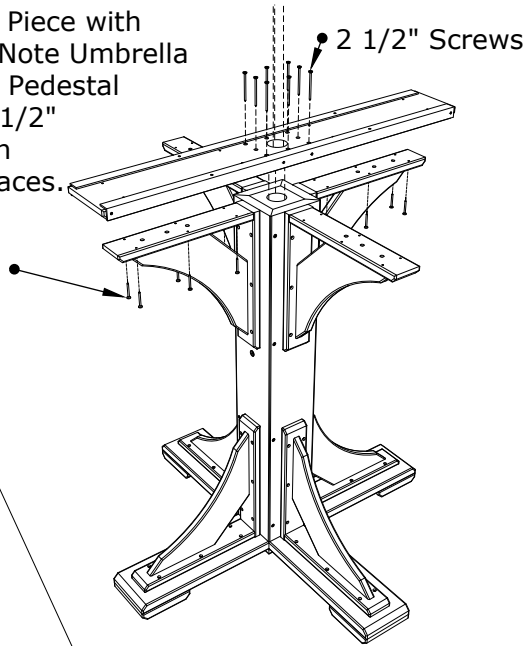
09/26/ 2019

R.M.

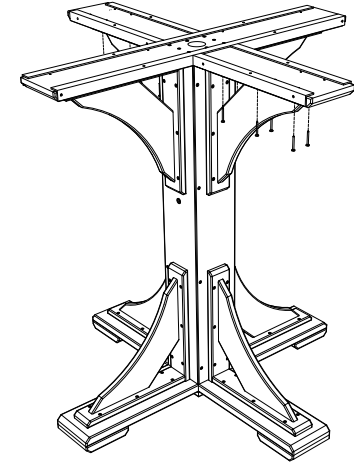


5. Align (C) Top Long Cross Piece with Pedestal Column & Braces, Note Umbrella hole must align with hole in Pedestal Column, Attach using 8 - 2 1/2" Screws for Pedestal Column & 12 - 1 1/2" Screws for Braces.

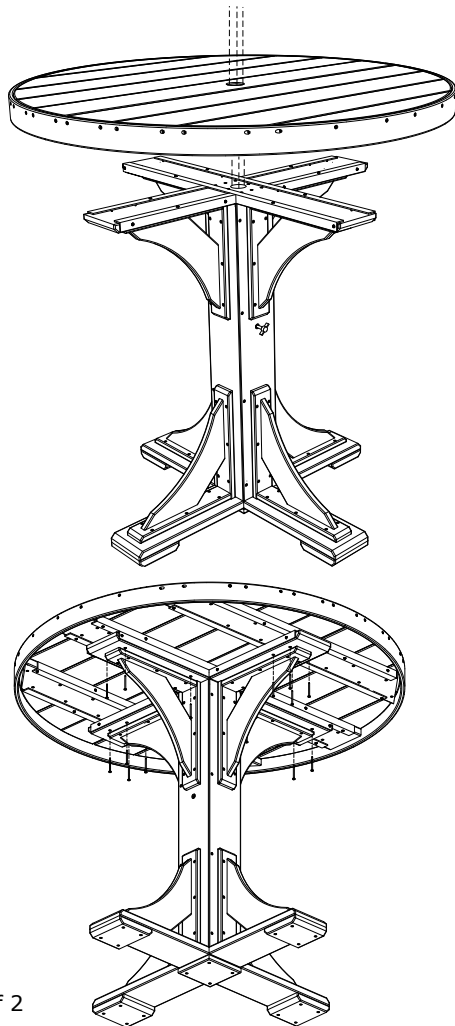
1 1/2" Screws



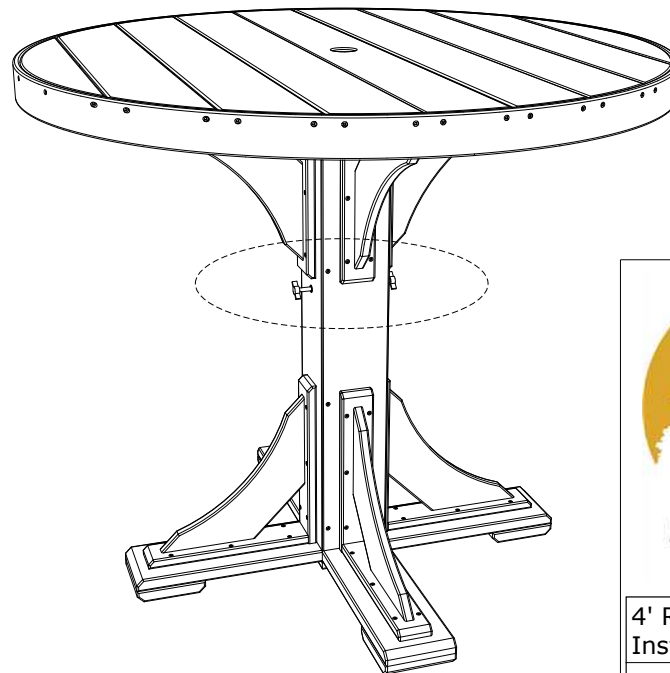
6. Align (E) Top Short Crosspieces with Braces keeping back end flush with (C) Top Long Crosspiece Attach using 12 - 1 1/2" Screws. Make sure that Aluminum is on top side.



7. Set Top on Pedestal Aligning Crosspieces and Umbrella Holes as shown. Attach Top using 16 - 2" Screws in predrilled holes.



8. Tighten T Bolts to add stability to Umbrella.



4' Round and 41" Square Poly Table Assembly
Instructions

09/26/ 2019

R.M.