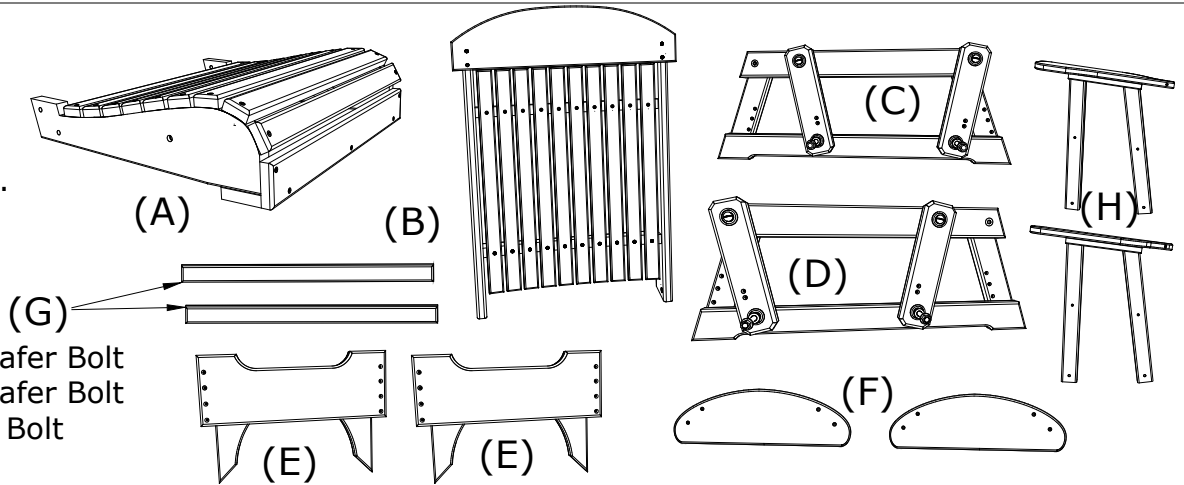




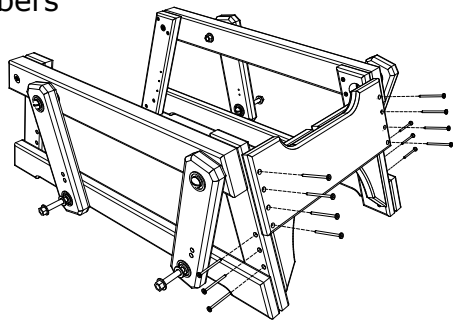
- 1 - (A) Seat Assembly
- 1 - (B) Back Assembly
- 1 - (C) Glider Base right side
- 1 - (D) Glider Base left side
- 2 - (E) Front & Back Cross Pcs.
- 2 - (F) Lintels
- 2 - (G) Bearing Support Arms
- 2 - (H) Armrest Assemblies

Tools Required
 5/32 Hex Key (Included)
 #2 Square Drive Bit (Not Included)
 9/16" Wrench (Not Included)

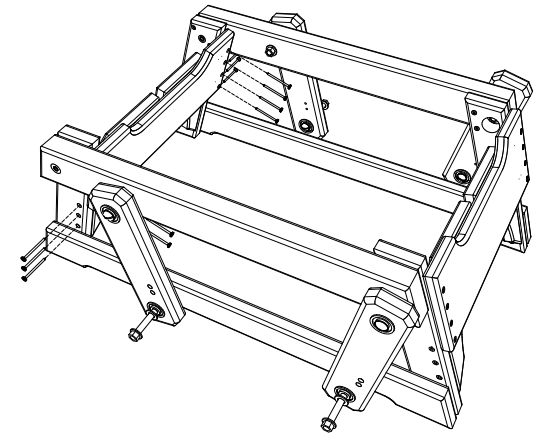
- Hardware**
- 2 - 5/16" x 3 1/2" Stainless Wafer Bolt
 - 2 - 5/16" x 2 1/2" Stainless Wafer Bolt
 - 4 - 5/16" x 2" Stainless Wafer Bolt
 - 4 - 3/8" Nuts
 - 4 - Washers
 - 44 - 2" Screws
 - 1 - 5/32 Hex Key



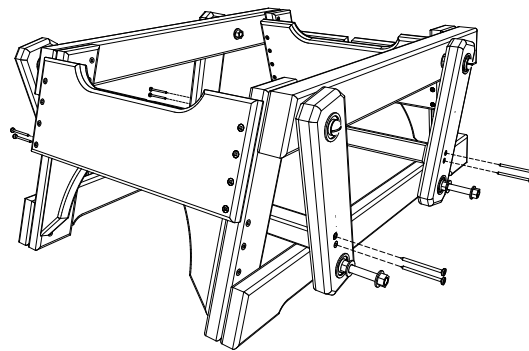
1. Attach (E) Front Cross Pc. to Glider Base Sides using 7 - 2" Screws per Side, Be sure to match all numbers & or letters.



2. Attach (E) Back Cross Pc. to Glider Base Sides using 7 - 2" Screws per side, Be sure to match all numbers & letters.



3. Attach (G) Bearing Support Arms to Glider Base using 4 - 2" Screws per side, Be sure to match all numbers & or letters.



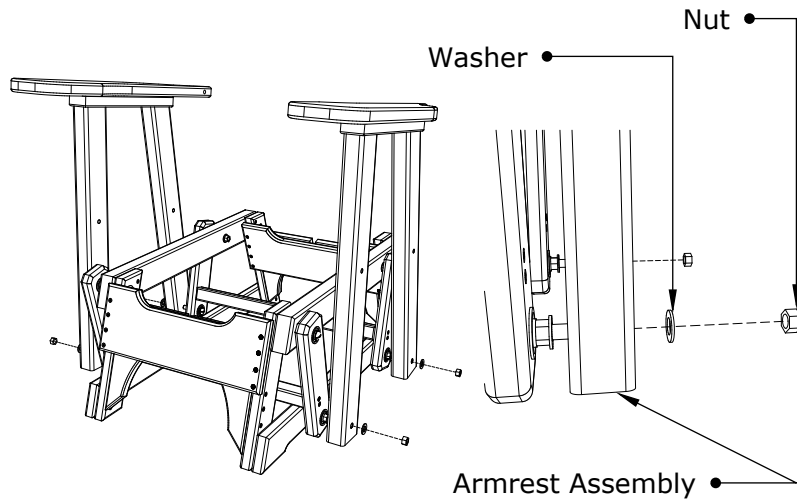
2' Classic Poly Glider Assembly Instructions

10/16/ 2017

R.M.



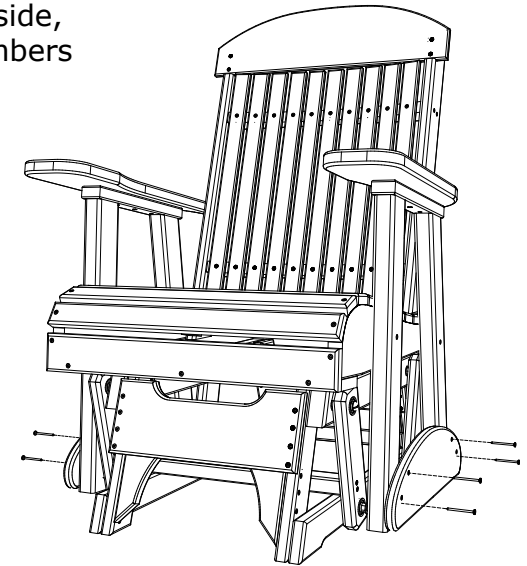
4. Attach (H) Armrest Assemblies to sides of Glider Base using 2 - Washers & 2 Nuts per side, Be sure to match all numbers & or letters.



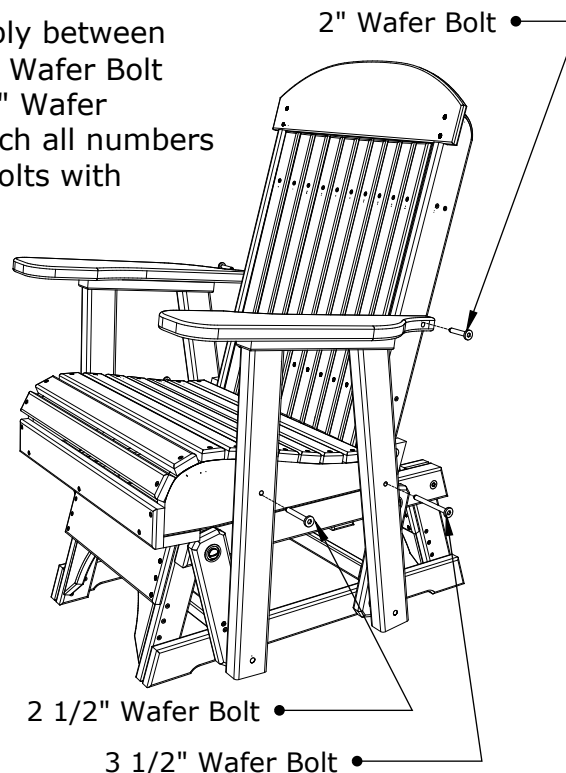
5. Attach (B) Back Assembly to (A) Seat Assembly using 1 - 2" Wafer Bolt in top hole per side, Be sure to match all numbers & or letters. Tighten Wafer Bolts with included Hex Key.



7. Attach Lintels to Armrest Assemblies using 4 - 2" Screws per side, Be sure to match all numbers & or letters.



6. Slide Seat & Back Assembly between Armrest's & install 1 - 3 1/2" Wafer Bolt 1 - 2 1/2" Wafer Bolt & 1 - 2" Wafer Bolt per side, Be sure to match all numbers & or letters, Tighten Wafer Bolts with included Hex Key.



2' Classic Poly Glider Assembly Instructions

10/16/ 2017

R.M.