

FANBACK SERIES  
ASSEMBLY INSTRUCTIONS



(717) 354-8998 • (877) 560-5966  
New Holland, PA






# #202 Fanback Settee



## Tools Required

- Hammer
- #2 Square Head Bit
- Power Drill
- 7/16" Socket

## Included Hardware

<b>A</b>		4	1/4" x 3" Carriage Bolt
<b>B</b>		4	1/4" Nut
<b>C</b>		6	1/4" x 3" Lag Bolt
<b>D</b>		2	1/4" x 3 1/2" Lag Bolt
<b>E</b>		12	2" Screws

## Instructions:

1. Unpack items from box(es). Be sure to match any numbers & letters that you may find on the pieces.
2. To begin, line up the back and pull the back tight to the seat slat. (Illustration 2)
3. With a #2 Square Head Bit, insert 2 (E) 2" screws into the pre-drilled holes and pull tight to the back seat slat. (Illustration 2) Repeat on the other side.
4. Fasten the arm & leg combo to the seat and seat back using 2 (A) 1/4" x 3" Carriage Bolts, 2 (B) 1/4" Nuts & 2 (D) 1/4" x 3 1/2" Lag Bolt. Do not tighten the nuts till complete. (Illustration 3) Only fasten the arm to outside of each of the chairs.
5. Fasten the leg to the settee table, using 4 (E) 2" Screws. (Illustration 4 )
6. Then fasten the back of the settee table to the back of the chair (where the arm would of been fastened) using 1 (C) 1/4" x 3" Lag Bolt. (Illustration 5) Repeat on the other side.
7. Now fasten the seat to the settee leg using 2 (C) 1/4" x 3" Lag Bolts. (Illustration 6) Repeat on the other side.



Illustration 2

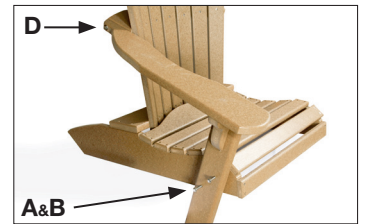


Illustration 3



Illustration 4



Illustration 5

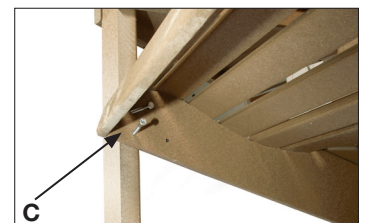


Illustration 6