



T411HS.W.U

Heat pump

General description

T411HS.W.U
Product line: Logic
Mode of installation: Freestanding
Number of programs: 16
Type of dryer: Heat pump
Display Type: LCD display
Anti crease
Color: White

Construction

- Long lasting stainless steel drum
- Durable brushless motor
- Warming pump
- Drying Sensor
- Butterfly drying system

Use and flexibility

- Water container: 1 US Gal
- Auto programs
- Removable filter
- Door diameter: 13 3/8" (340 mm)
- Door opening angle: 180 °
- Anti crease
- Time setting
- Humidity sensor
- Drum illumination: Yes

Interaction & control

- Remaining time indicator
- Display Type: LCD display
- End of Program Signal
- Program memory

Programs

- Auto dry
- Auto iron dry
- Auto terry
- Auto jeans
- Auto normal dry
- Auto down
- Auto synthetics
- Time program
- Airing
- Bedding
- Silk and wool
- Shirts
- Quick pro

Design & integration

- Door opening: Reversible door opening
- Adjustable feet: 9/16" (15 mm)
- Dryer can be mounted on top of washer
- Loading position: Front

Safety & Maintenance

- Lockable control panel
- Overheat protection
- Thermal and electronic protection against overheating

Technical data

- Noise level: 65 dB(A)
- Power consumption in standby mode: 0.3 W
- Power consumption in off-mode: 0.3 W
- Estimated annual energy consumption: 260 kWh
- Grounded plug

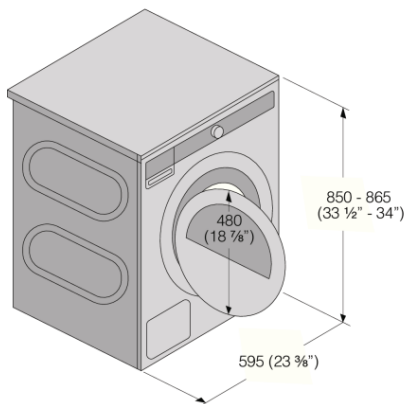
- Connecting cord with plug
- Connection rating: 5800 W
- Number of phases: 1
- Current: 30 A
- Frequency: 60 Hz
- Net weight: 145 lbs
- Marked for recycling
- ISO 14001

Dimensions

- Product dimensions (HxWxD): 33 7/16" × 23 7/16" × 30 1/4" (850 × 595 × 769 mm)
- Depth with door open: 45 7/8" (1165 mm)
- Cord length: 66 15/16" (1700 mm)

Logistic information

- Packaging dimensions: 36 1/4" × 25 3/16" × 33" (920 × 640 × 838 mm)
- Total weight of packaged product: 155 lbs
- Code: 730244
- EAN code: 3838782098772



Tumble Dryer/TD-85/USA

