



DBI786IXLSSOF.U

Built-in undercounter dishwasher

General description

Turbo Combi Drying
Product line: Style
Mode of installation: Built In
Size: XXL
Number of baskets: 4
Number of place settings: 18 place settings
Upper basket type: Exclusive
Middle basket: Removable rack for large utensils; Removable rack for bowls, cups and glasses; Handle; Middle basket connection fitted with non-return valve; Guide rails with ball bearings for middle rack
Lower basket type: Exclusive
Removable cutlery basket for easy unloading



Construction

- Welded stainless steel container
- Exterior float - detects water leakage on the base
- Stand by water protection
- Anti-block drain pump
- 8 Steel™ Construction
- Hidden heater
- SCS+ - Super Cleaning System+™
- Sensi Clean™ Sensor - measures dirtiness level
- Softener
- Number of spray arms: 3
- Number of spray zones: 10
- Twin Tubes™ - separate spray zone for the middle basket
- Turbo Combi Drying
- Automatic door opening
- Cutlery Power Zone - extra dishwashing power for the cutlery basket
- Door handle type: Integrated soft closing handle

Use and flexibility

- Number of place settings: 18 place settings
- Number of baskets: 4
- Upper basket type: Exclusive
- Upper basket system: Easy height adjustable with lever
- Guide rails with ball bearings for upper basket
- China Guard - protects fragile load from the rotating spray arm
- Middle basket: Removable rack for large utensils; Removable rack for bowls, cups and glasses; Handle; Middle basket connection fitted with non-return valve; Guide rails with ball bearings for middle rack
- Lower basket type: Exclusive
- Vase and bottle holder
- Tight mesh base in the baskets
- Removable cutlery basket for easy unloading
- 4 led lights
- Required inlet water pressure: 0,03-1 MPa

Interaction & control

- Display Type: TFT Top Display
- Ability to create own programs: Memory program
- Number of programs: 15
- Number of options: 9
- Status Light™
- Time remaining indicator: Yes
- Cycle end indication: Displayed with sound and light
- Adaptable power zones
- Adaptable water pressure

Programs

- 15 Programs: Normal wash; Automatic program; Intensive program; ECO wash; Time program; Plastic wash; Rinse and hold; Upper half; Lower half; Crystal glass; Quick Pro wash; Self-cleaning; Light wash; Sanitize; Anti odour
- Delayed start: 1-24 hours
- Green mode
- Speed mode
- Night mode

- Heat boost mode
- Normal mode

Design & integration

- From front adjustable rear foot
- Trim kit
- Multi fit outlet hose
- Simplified installation with integrated anti-siphon
- Depth (incl. wall spacing): 21 7/8" (555 mm)
- Height setting: 2 1/16" (53 mm)
- Possible adjustment of kick plate: 1 3/16 - 3 10/16" (30-94 mm)

Safety & Maintenance

- Aqua Safe™
- Kid Safe™ - lockable controls
- Rinse-aid indication: Notification in display
- Salt indication: Salt indication: Notification in display

Technical data

- Hot or cold water connection - 9/16
- Max. temperature of inflow water: 140 F
- Noise level: 39 dB(A)
- Duration of normal wash cycle: 125 min
- Estimated annual energy consumption: 230 kWh
- Energy consumption/cycle: 1 kWh
- Estimated annual water consumption: 687 US Gal
- Water consumption/cycle: 3 US Gal
- Consumption in standby mode: 0.5 W
- Connection rating: 1300 W
- Number of phases: 1
- Current: 15 A
- Frequency: 60 Hz
- Required inlet water pressure: 0,03-1 MPa
- Net weight: 106 lbs

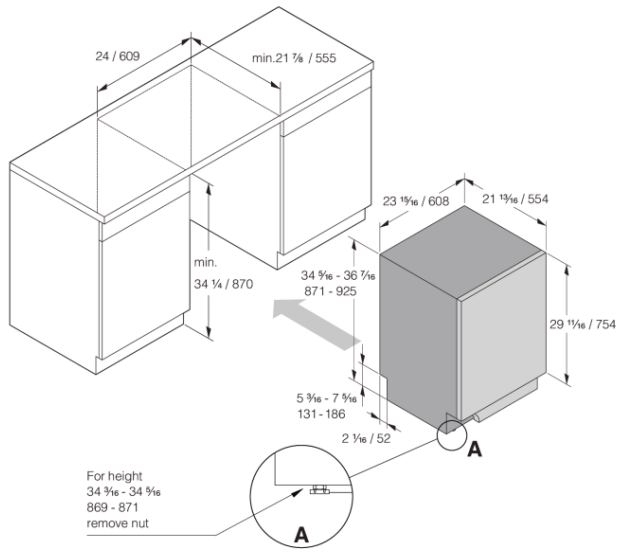
Dimensions

- Width: 23 15/16" (608 mm)
- Height: 34 5/16" (871 mm)
- Depth: 21 13/16" (554 mm)
- Maximum product height: 36 3/8" (924 mm)
- Cord length: 71 7/16" (1815 mm)
- Depth with door open: 48 7/16" (1231 mm)
- Length of inflow hose: 64 3/16" (1630 mm)
- Length of outflow hose: 90 9/16" (2300 mm)

Logistic information

- Packaging width: 25 3/16" (640 mm)
- Packaging height: 36 5/8" (930 mm)
- Packaging depth: 26 3/4" (680 mm)
- Total weight of packaged product: 113 lbs
- Code: 740095
- EAN code: 3838782650642
- Market: Domestic
- Range: Style

Measurements: inches / millimetres



DW60 Built-in Dishwasher XXL USA

