



W6124X.W.U

Washing machine

General description

Product: Washing Machine
Mode of installation: Freestanding
Spin speed: 1400 rpm
25 programs
Color: White



Programs

- Cotton
- Mix/synthetics
- Wool/hand wash
- Universal
- Dark wash
- Bedding
- Time program
- Auto
- Quick
- Heavy
- Rinse
- Spin
- Drain
- Easy care
- Drum cleaning
- Jeans
- Shirts
- Sanitize
- Quick Pro
- Allergy program Cotton
- Allergy program Synthetics
- Sportswear program
- Conditioning program
- Stain
- Steam refresh

Options

- Spin speed: Adjustable spin speed
- Super Rinse
- Super wash
- High water level
- Pre wash
- Anti-crease system

Run modes

- Normal mode, Green mode, Allergy mode, Speed mode, Intense mode, Night mode

Construction

- Quattro Construction™ - vibration-free spinning
- Door sealing: Steel Seal™ - hygienic door sealing
- Long lasting stainless steel drum
- Active Drum™ - maximum cleaning and minimal wear
- Heater capacity (W): 2000 W
- Precise temperature control (max deviation +/- 2 F)
- Water level sensor
- Drum volume: 2.8 cu ft
- Durable brushless motor
- Automatic Dosing System: Integrated
- Pro Wash system - extra effective washing and rinsing

Use and flexibility

- Easy close door
- Liquid detergent insert
- Active detergent compartment cleaning
- Temperature range: Cold-Extra hot

- Door diameter: 12 3/16" (310 mm)
- Door opening angle: 110 °
- Drum illumination: Yes
- Dose assist

Interaction & control

- 1-24 hours
- Remaining time indicator
- Display Type: LCD display
- 25 programs

Design & integration

- Door opening: Left
- Adjustable feet: 3/8" (10 mm)
- Dryer can be mounted on top
- Water connection: cold and hot
- Loading position: Front

Safety & Maintenance

- Removable lifters
- Waterproof bottom plate
- Maximized water inlet time
- PEX inlet hose
- Anti block drain pump
- Overflow protection
- Emergency door opening key easy accessible
- Lockable control panel
- Unbalance detection
- Draining capacity: 20 l/min
- Overheat protection
- Thermal and electronic protection against overheating

Technical data

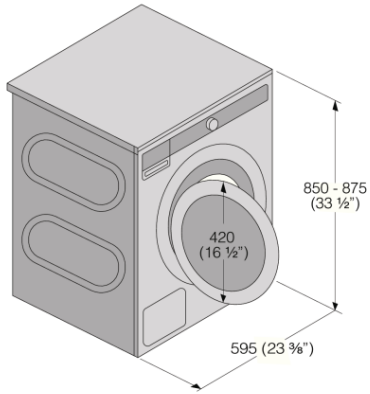
- Heater capacity (W): 2000 W
- Water connection: cold and hot
- Estimated annual energy consumption: 75 kWh
- Counter weight material: Cast iron
- Counter weight: 44 lbs
- Noise level: 74 dB(A)
- Noise level washing: 53 dB(A)
- Connection rating: 2200 W
- Number of phases: 1
- Current: 15 A
- Frequency: 60 Hz
- Net weight: 205 lbs
- ISO 14001

Dimensions

- Product dimensions (HxWxD): 33 7/16" x 23 7/16" x 27 9/16" (850 x 595 x 700 mm)
- Adjustable feet: 3/8" (10 mm)
- Depth with door open: 41 5/8" (1057 mm)
- Cord length: 78 3/4" (2000 mm)
- Length of inflow hose: 59 1/16" (1500 mm)
- Length of outflow hose: 63" (1600 mm)

Logistic information

- Packaging dimensions: 36 1/4" x 25 3/16" x 30 9/16" (920 x 640 x 776 mm)
- Total weight of packaged product: 213 lbs
- Code: 578203
- EAN code: 3838782012785
- Market: Domestic
- Range: Style



Washing Machine WM-85/USA

