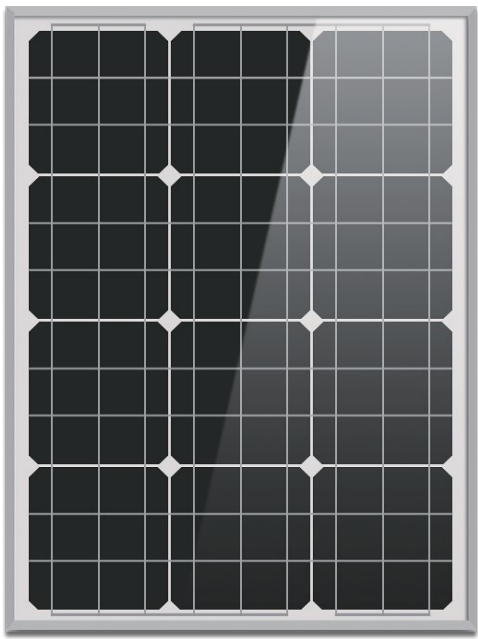


# Monocrystalline Solar PV Module

## 36 Cells, 100W



**+3W** Power and tolerance  
0~+3W positive power tolerance guaranteed

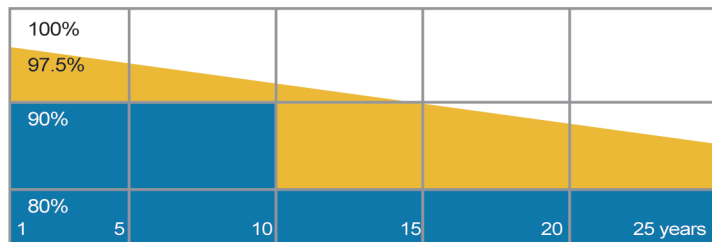
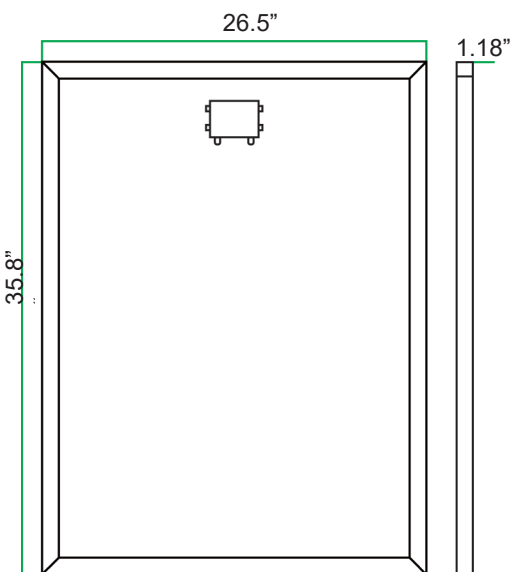
**Anti PID** Resistance to the PID

**6000**  
**3600** Stronger surface resistance to mechanical loads  
Passed the certification of 6000Pa snow load and 3600Pa wind load

**Designed for harsh environments**

**Hail**  
Passed a hail test with a diameter of 45mm and a speed of 30.7m/s

**Lower temperature coefficient**  
Better temperature coefficient allows for power attenuation at high temperature



linear power output warranty

Industry quality assurance

**12** 12 years of product material and process quality

**25** 25 years linear power output warranty



| MODEL                            | 100WATT |
|----------------------------------|---------|
| Maximum Power/Pmax(Wp)           | 100     |
| Optimum Operating Voltage/Vmp(V) | 18      |
| Optimum Operating Current/Imp(A) | 5.56    |
| Open Circuit Voltage/Voc(V)      | 21.6    |
| Short Circuit Current/IsC(A)     | 5.97    |
| Cell Efficiency                  | 19.02%  |
| Module Efficiency                | 16.4%   |
| Power Tolerance                  | 0~+3W   |
| Maximum Series Fuse Rating(A)    | 15A     |
| Maximum System Voltage           | 1000VDC |

### DATA

|                               |                     |                              |
|-------------------------------|---------------------|------------------------------|
| Operating Module Temperature  | -40°C to +80°C      | °C                           |
| Storage Temperature           | From -40°C to +80°C | °C                           |
| Insulation Cut Voltage        | 1000                | DC                           |
| Maximum Wind Resistance       | 60m/s               | N/m <sup>2</sup> or max KM/h |
| Surface Maximum Load Capacity | 200                 | Kg/m <sup>2</sup>            |
| Maximum Hail Load Capacity    | 5mm                 | 80km/h                       |

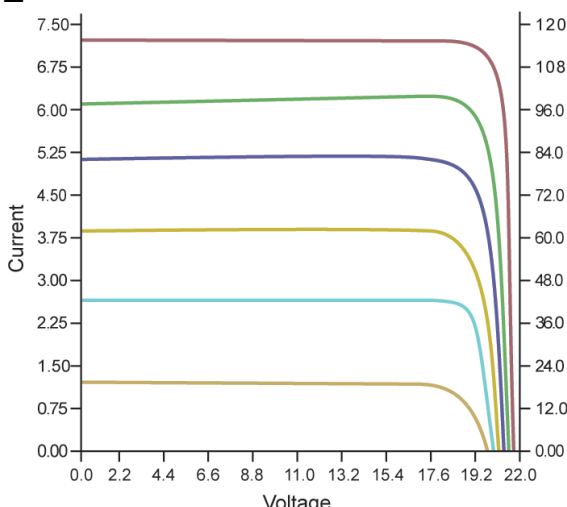
### MECHANICAL CHARACTERISTICS

### TEMPERATURE CHARACTERISTICS

|                     |   |
|---------------------|---|
| Number of cells     | 36(12*3)                                |
| Cell Dimension(mm)  | 156*52                                  |
| Dimension(inch)     | 35.8 x 26.5 x 1.18                      |
| Weight(lb)          | 15.43                                   |
| Frame Material      | Clear anodized aluminum frame           |
| Thickness of Glass  | 3.2mm tempered glass                    |
| Frame               | Anodized aluminum alloy                 |
| Laminating Material | EVA (Light transmittance more than 92%) |
| Backsheet Material  | TPT (High weather resistance)           |
| Junction Box        | Ip65 (1500V system voltage available)   |
| Output cable        | 90cm 2x4.0mm <sup>2</sup> MC4 connector |
| Bus Bar             | 5BB                                     |

|   |            |
|---|------------|
| Nominal Operating Cell Temperature (NOTC) | 45±2°C     |
| Temperature Coefficient of Pmax           | -0.37%/°C  |
| Temperature Coefficient of Voc            | -0.29%/°C  |
| Temperature Coefficient of Isc            | -0.048%/°C |

### I-V CURVE



- Sun:1200, Vmp:17.434, Pmax 114.554
- Sun:1000, Vmp:18.000, Pmax:100.152
- Sun:800, Vmp:17.829, Pmax: 82.615
- Sun:600, Vmp:17.784, Pmax:62.264
- Sun:400, Vmp:17.604, Pmax:41.833
- Sun:200, Vmp:17.054, Pmax:18.989