

---

**USER MANUAL**

Drying cabinet  
DC7784V.W.U

*Dear ASKO customer,*

*Congratulations on the choice you have made, and welcome to the ASKO family, a global family with its roots in Sweden.*

*We at ASKO thank you for your trust and hope that you will enjoy using your new drying cabinet.*

*A good drying cabinet should be well designed, dry clothes well, have a low environmental impact, be user-friendly, save time and energy, have a long service life and be reliable. ASKO meets all these requirements.*

*When you buy an ASKO product you can be sure that the inside is just as good as the outside and that the ethics and morality that go into manufacturing this product are just as high as the quality and function you are getting. That's what Swedish quality is all about.*

*Before using the product for the first time, please read the user instructions and the advice on caring for the product. This will help you get the best possible results from your product and all its functions.*

*If you have any questions, do not hesitate to call us or to contact us through our website.*

*Best wishes from Sweden and the ASKO team.*






# CONTENTS

<b>IMPORTANT SAFETY INFORMATION</b>	<b>5</b>	<b>OPERATION</b>	<b>31</b>
<i>Important safety instructions</i>	6	<i>Arranging laundry for drying</i>	31
<i>Installation and connection</i>	9	<i>Cabinet equipped with coat hanger rack and shoe rack</i>	31
<b>FOR A GOOD ENVIRONMENT</b>	<b>10</b>	<i>User advice</i>	31
<i>Packaging materials</i>	10	<i>Air flow</i>	32
<i>Management of end-of-life drying cabinet</i>	10	<i>Drying programs</i>	33
<b>COMPONENTS</b>	<b>11</b>	<i>Child lock</i>	34
<i>Control panel</i>	12	<i>Start automatic program</i>	35
<i>Language</i>	13	<i>Starting a manual program</i>	35
<i>Unpacking</i>	14	<i>User advice</i>	36
<b>DOOR REVERSING</b>	<b>15</b>	<b>SETTING DRYING PROGRAMS</b>	<b>37</b>
<b>INSTALLATION</b>	<b>20</b>	<i>Programming mode</i>	37
<i>Location requirements</i>	20	<i>Parameter list</i>	38
<i>Installation instruction – Laundry care concept</i>	21	<i>Adjustment</i>	40
<i>Mounting into custom cabinetry</i>	22	<i>Procedure</i>	41
<i>Ventilation connection</i>	25	<i>Restoring to factory setting</i>	41
<i>Ventilation requirements</i>	26	<b>CARE</b>	<b>42</b>
<i>Evacuation / air supply</i>	27	<i>Cleaning</i>	42
<i>Connection to evacuation</i>	27	<i>Replacement part</i>	42
<i>Electrical connection</i>	29	<b>OVERHEAT CUT-OUT</b>	<b>43</b>
<b>BEFORE USING THE DRYING CABINET</b>	<b>30</b>	<b>TROUBLESHOOTING</b>	<b>44</b>
		<b>SERVICE AND WARRANTY</b>	<b>45</b>
		<i>Service</i>	47
		<b>TECHNICAL DATA</b>	<b>48</b>
		<i>Energy consumption and drying times</i>	48

## ***THIS USER MANUAL***

The contents of this user manual describe the **function** and **operation** of the drying cabinet, as well as instructions for **installation** and **maintenance**.

**The following symbols are used throughout the manual and they have the following meanings:**

	Information, advice, tip, or recommendation		Warning – danger of hot surface
	Warning – general danger		Warning – danger of fire
	Warning – danger of electric shock		

## IMPORTANT SAFETY INFORMATION

*This drying cabinet meets applicable safety requirements. Incorrect use may, however, lead to injuries and damage to objects.*

*The advice and caution notices in this manual have been written to enable you to avoid incorrect use and unnecessary risks of accidents, and should be read before installing and using the drying cabinet.*

**CAUTION:** This equipment is intended only to be used to dry fabrics washed in water.

- The appliance is not intended for use by persons (including children) with various disabilities or inadequate experience and knowledge.

They may use the appliance only under supervision or if they have received instructions on how to use the appliance from a person who is responsible for their safety.

Children must be supervised to ensure that they do not play with the appliance.

- The drying cabinet must be installed and kept indoors. If the power cord is damaged, it must be immediately replaced, and this must be done only by the manufacturer, the manufacturer's service agent or similarly qualified persons in order to prevent danger.

Follow ASKO instructions in repair and replacement of parts.

## **IMPORTANT SAFETY INSTRUCTIONS**

**⚠ WARNING** – To reduce the risk of fire, electric shock, or injury to persons when using your appliance, follow basic precautions, including the following:

- 1 Read all instructions before using the appliance.
- 2 Do not dry articles that have been previously cleaned in, washed in, soaked in, or spotted with gasoline, dry-cleaning solvents, or other flammable or explosive substances, as they give off vapors that could ignite or explode.
- 3 Risk of suffocation and injury from entrapment: Do not allow children to play on or in the appliance. Close supervision of children is necessary when the appliance is used near children.
- 4 Before the appliance is removed from service or discarded, remove the door to the drying compartment.
- 5 Do not install or store this appliance where it will be exposed to the weather.
- 6 Do not tamper with controls.
- 7 Do not repair or replace any part of the appliance or attempt any servicing unless specifically recommended in the user-maintenance instructions or in published user-repair instructions that you understand and have the skills to carry out.


- 8 Do not use heat to dry articles containing foam rubber or similarly textured rubber-like materials.
- 9 Keep area around the exhaust opening and adjacent surrounding areas free from the accumulation of lint, dust, and dirt.
- 10 The interior of the appliance and exhaust duct should be cleaned periodically.
- 11 Do not place items exposed to cooking oils in your drying cabinet. Items contaminated with cooking oils may contribute to a chemical reaction that could cause a load to catch fire. To reduce the risk of fire due to contaminated loads, the final part of a drying cabinet cycle occurs without heat (cool down period). Avoid stopping a drying cabinet before the end of the drying cycle unless all items are quickly removed and spread out so that the heat is dissipated.
- 12 Do not use replacement parts that have not been recommended by the manufacturer (e.g. parts made at home using a 3D printer).


## For a grounded, cord-connected appliance:

### GROUNDING INSTRUCTIONS

This appliance must be grounded. In the event of malfunction or breakdown, grounding will reduce the risk of electric shock by providing a path of least resistance for electric current.

This appliance is equipped with a cord having an equipment-grounding conductor and a grounding plug. The plug must be plugged into an appropriate outlet that is properly installed and grounded in accordance with all local codes and ordinances.

 **WARNING**– Improper connection of the equipment-grounding conductor can result in a risk of electric shock. Check with a qualified electrician or service representative or personnel if you are in doubt as to whether the appliance is properly grounded.

 Do not modify the plug provided with the appliance: if it will not fit the outlet, have a proper outlet installed by a qualified electrician.

**SAVE THESE INSTRUCTIONS FOR FUTURE REFERENCE!**



## INSTALLATION AND CONNECTION



### WARNING!

Install the drying cabinet according to the manufacturer's instructions and local codes.

---



### WARNING!

Drying cabinet installation must be performed by a qualified installer.

---



### WARNING!

To reduce the risk of severe injury or death, follow all installation instructions.

---



### WARNING!

Save these instructions.

---



### WARNING!

Do not install a drying cabinet with flexible plastic venting materials. If flexible metal (foil type) duct is installed, it must be of a specific type identified by the appliance manufacturer as suitable for use with drying cabinets. Flexible venting materials are known to collapse, be easily crushed, and trap lint. These conditions will obstruct drying cabinet airflow and increase the risk of fire.

---



### WARNING!

- The appliance shall not be exhausted into a chimney, a wall, a ceiling, an attic, a crawl space, or a concealed space of a building;
  - Only rigid or flexible metal duct shall be used for exhausting;
  - Maximum duct length shall be 8 feet (2.4 m) and maximum number of bends shall be 4;
  - The total length of flexible metal duct shall not exceed 8 feet (2.4 m);
  - The duct shall not be assembled with screws or other fastening means that extend into the duct and catch lint.
- 



### WARNING!

Do not install a booster fan in the exhaust duct.

---

## **FOR A GOOD ENVIRONMENT**

### **PACKAGING MATERIALS**

The packaging that protects the drying cabinet against damage in transit has been chosen with concern for the environment in mind and is therefore recyclable.

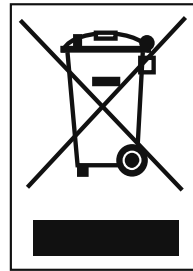
Packaging that is returned to the material cycle means reduced consumption of raw materials and a smaller volume of waste.

### **MANAGEMENT OF END-OF-LIFE DRYING CABINET**

When the drying cabinet has reached the end of its useful life, it must be taken to a recycling center for disposal.

Many parts of the drying cabinet can be re-used, but it also contains other material that must be handled correctly.

You should therefore never leave the drying cabinet or parts of the cabinet for collection with household waste, as this may lead to risks to health and cause damage to the environment.

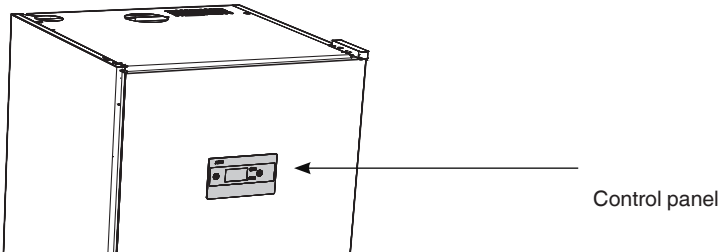
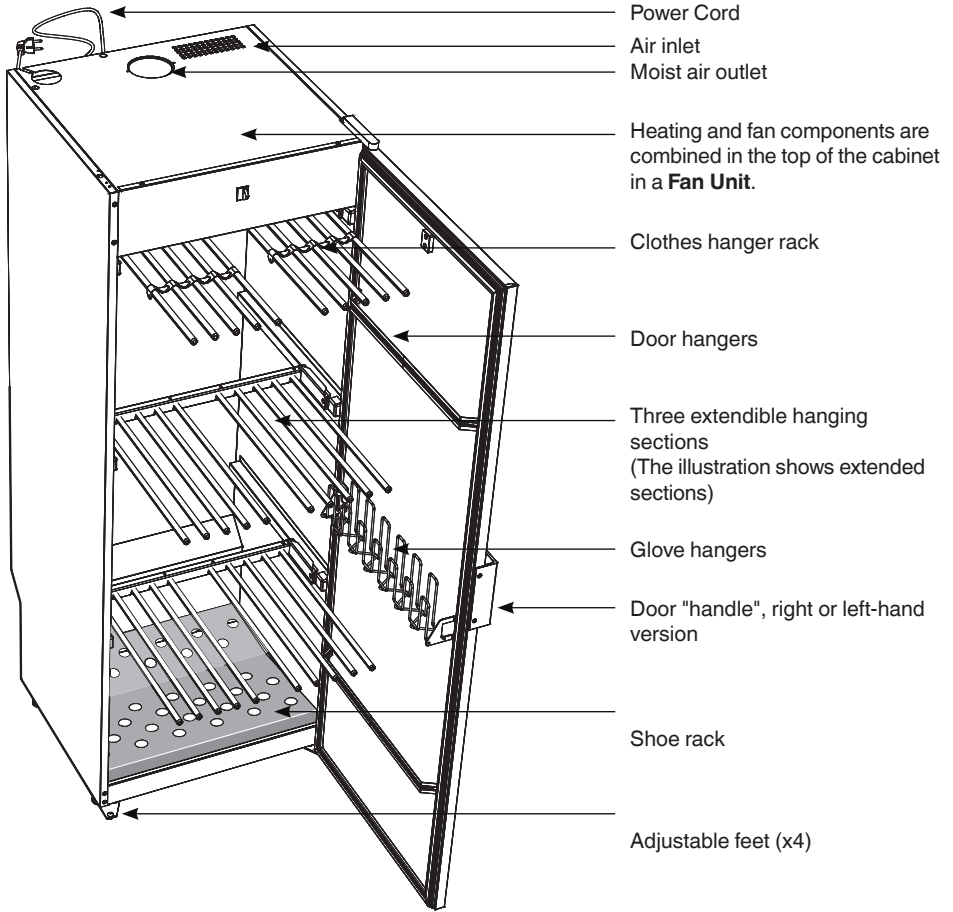


The end-of-life drying cabinet should instead be taken to a recycling center. Check with your dealer if necessary.

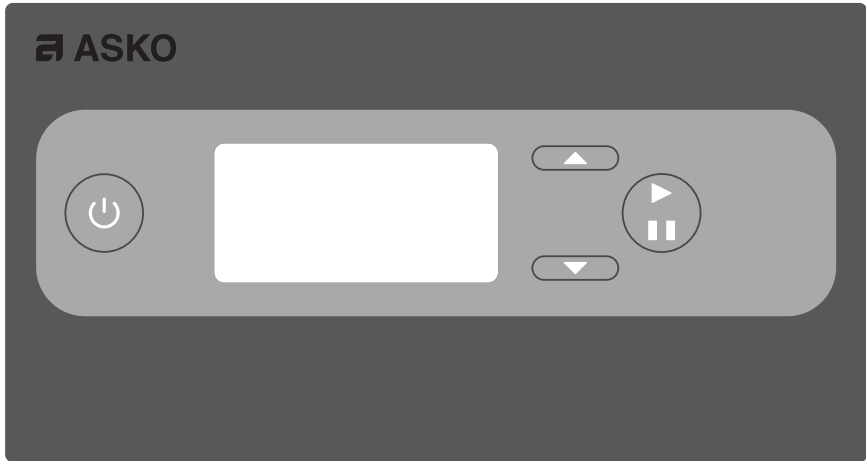
All the plastic parts of the drying cabinet are marked with internationally standardised symbols.

The parts of the drying cabinet can therefore be recycled in an environmentally sound manner by waste separation.

# COMPONENTS



## CONTROL PANEL



The drying cabinet is equipped with four automatic and four manual drying programs suited to different types of clothing. The programs are set using the buttons on the menu panel. Four languages can be chosen.

### BUTTONS



**ON/OFF**



**START** Starts and  
**STOP** Stops the drying program  
**OK** Confirms the selection of programs, functions and settings



**UP ARROW**, increase values or browse between programs.



**DOWN ARROW**, reduce values or browse between programs.

### DISPLAY

The display has two rows with 6 characters on each row. During the drying process the selected drying program and a rolling bar indicating that the process is in progress are shown.

## LANGUAGE

The following languages can be chosen: English, Swedish, Norwegian, Danish, Finnish, Italian, French, German, Spanish, Portuguese and Dutch.

### SETTING

- 1 Make sure that the **ON/OFF** switch on the drying cabinet is off. The display is unlit.
- 2 Hold down the **UP ARROW** and **DOWN ARROW** buttons and press the **ON/OFF** switch to the "ON" position. The display lights up and on the top row shows "P105" flashing, which is the parameter for language setting. If a different value is shown, use the **UP ARROW** or **DOWN ARROW** buttons to browse to the correct parameter.
- 3 Press **START/STOP** to confirm. The row for current language now flashes. The languages have a numerical symbol as shown in the list below.
- 4 Browse to the desired language with the **UP ARROW** or **DOWN ARROW** buttons.
- 5 To save the set value, press **START/ STOP**.
- 6 To return to operating mode, press **DOWN ARROW** and **START/STOP**.

Language symbol	Display language
0	English
1	Swedish
2	Norwegian
3	Danish
4	Finnish
5	Italian
6	French
7	German
8	Spanish
9	Portuguese
10	Dutch

## UNPACKING



### CAUTION!

The drying cabinet must be handled carefully if it is standing unsupported on its pallet.

#### RISK OF TIPPING OVER

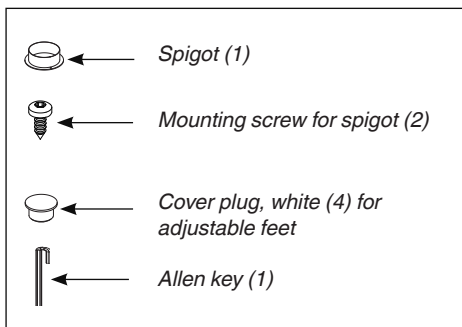
Make sure that the product has not been damaged in transit. Any damage incurred in transit must be reported to the dealer within 7 days.

#### Complete delivery must include:

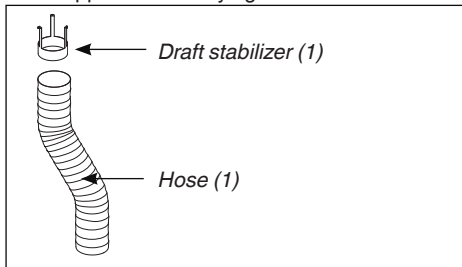
- Cabinet with installed fan unit
- Assembly kit
- User Manual

#### ASSEMBLY KIT

- for cabinet



- not supplied with a drying cabinet

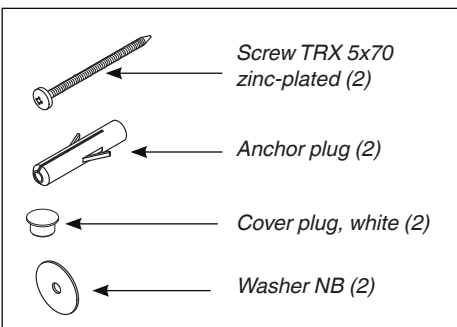


After unpacking, check that the product is intact. Damage, defects and any missing parts must be reported to the dealer immediately.

Check that all transport securing devices have been removed before connecting the drying cabinet.

Packaging materials such as plastic and styrofoam should be kept out of the reach of children.

- for attachment to wall



# DOOR REVERSING

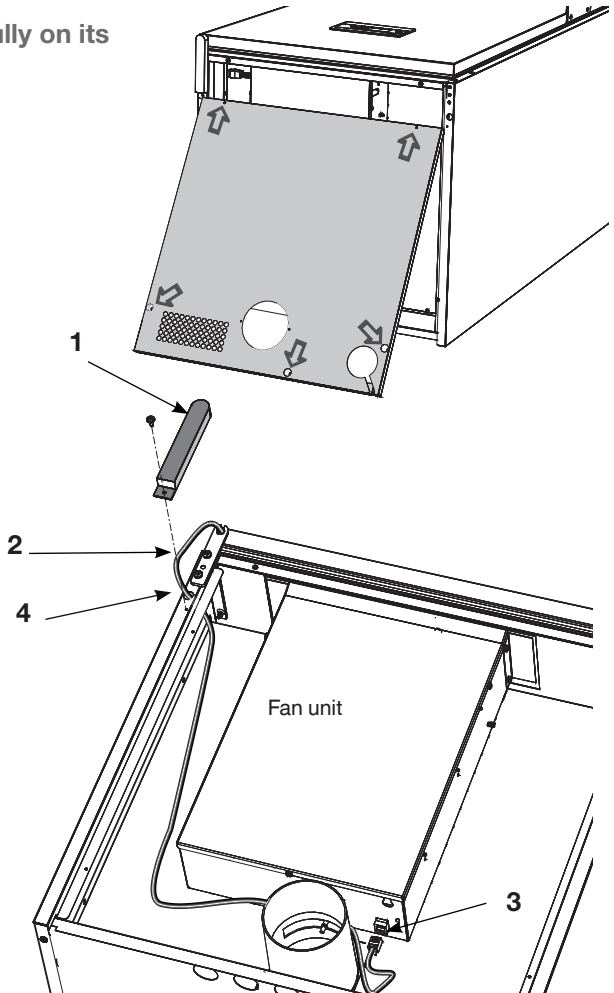
The pictures below illustrate reversing the door from right to left hinge.

## Door Reversing kit (Product code: 721529)

For reversing, a door reversing kit must be ordered from the supplier of the cabinet. The kit consists of a new upper hinge, as the left and right hinges are not interchangeable. The kit also includes a control cable for fitting in the door with associated hinge bushing.

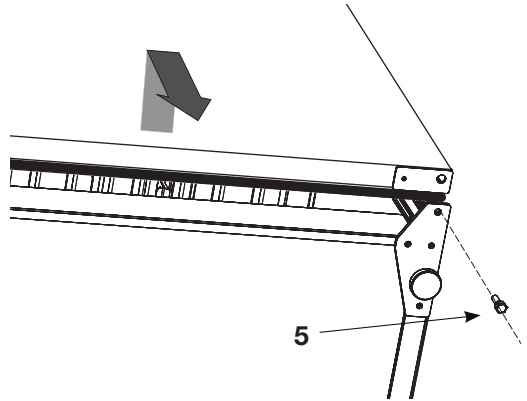
### Lay the cabinet down carefully on its back.

- 1 Remove the cover in the top of the drying cabinet. This is attached with five screws at the marking arrows.
- 2 Remove the protective cover (1) of the upper hinge and release the control cable (2).
- 3 Separate the control cable from the fan unit with the quick connector (3) and pull the cable through the hole (4).



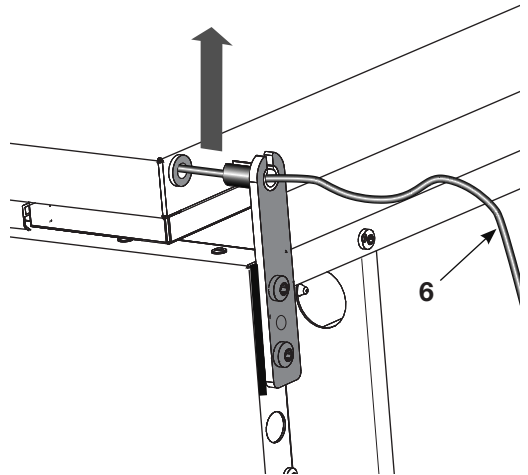
- 4 Unscrew the lower hinge pin (5).

Raise the door slightly from the bottom edge and detach it from the upper hinge, to the extent that the hinge pin is visible. The pin has a recess for the control cable.



- 5 Carefully pull the control cable (6) out of the recess in the hinge pin.

- 6 The door, together with the control cable, is now free and can be set aside.

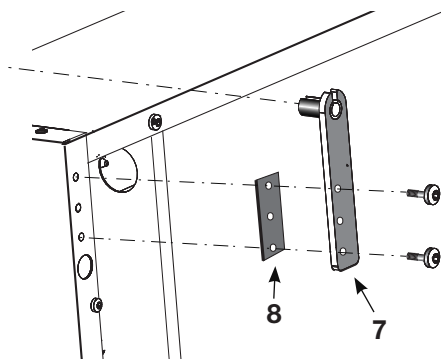


Upper hinge joint with the door pulled down so that the hinge pin is freed



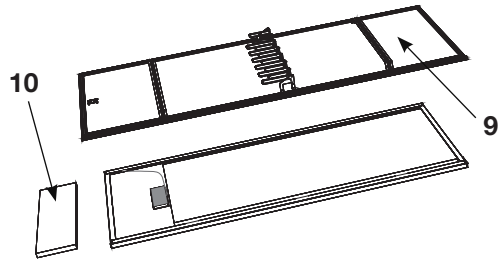
- 7 Detach the upper hinge (7) with hinge washer (8). **Discard the hinge.**
- 8 Install the new replacement hinge on the opposite side and move the hinge washer across.

*The hinge forms part of the door reversing kit, which can be ordered from the dealer of the drying cabinet.*

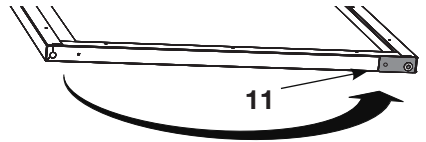


## Re-attachment in the door

- 9 Lay the door down with the inside facing up on a non-damaging surface.
- 10 Detach the inner plate (9) with **magnetic strip, door hangers and glove hangers**. Screws are beneath the magnetic strips.
- Remove the insulation (10).



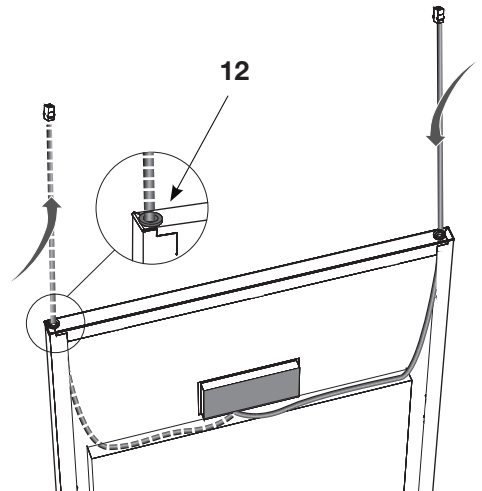
- 11 Detach and transfer the **reinforcement panel and lower hinge bushing (11)** in the door to the opposite side.



- 12 Detach existing control cable from control panel and pull cable out with hinge bushing (12). Discard the cable as there is a new complete cable in the door reversing kit.

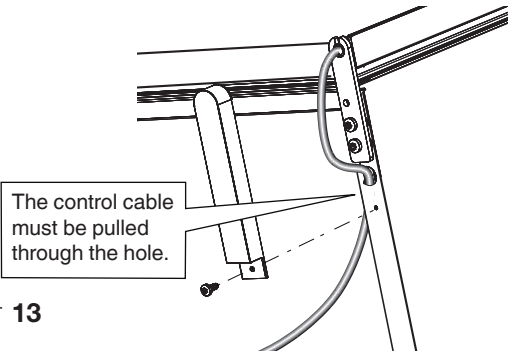
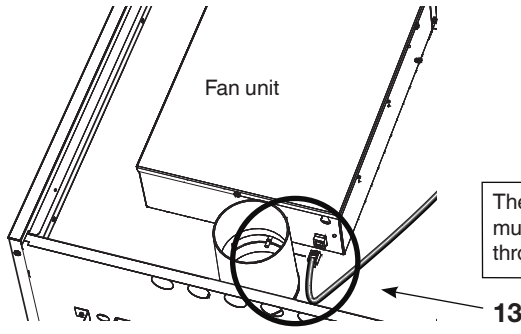
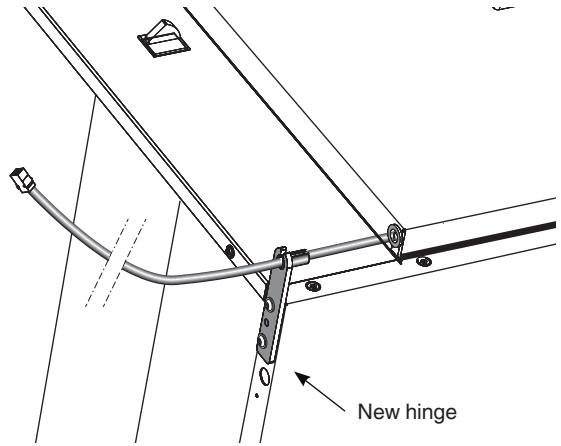
Fit the new cable on the opposite side - press the bushing firmly into the hole and connect the cable to the control panel outlet.

- 13 Move back the **insulation and inner plate with magnetic strips** and, if applicable, **hangers**.



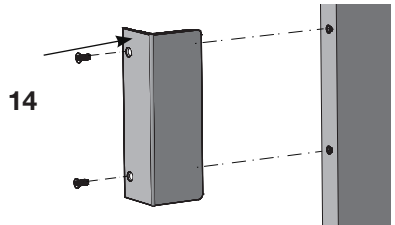
## Lay the door in position

- 14 Introduce the operating cable through the recess in the new upper hinge and slide the door up on the hinge pin.
- 15 Install the lower hinge pin.  
**Make sure that the hinge pin is tightened firmly.**
- 16 Connect the control panel (13) to the connector in the upper part of the drying cabinet.
- 17 Refit the drying cabinet cover which was removed under 1.



## Transfer the door handle

- 18 Transfer the handle (14) to the other side. Fit the cover plugs for the old holes by hand. Cover plugs are supplied in the assembly kit.



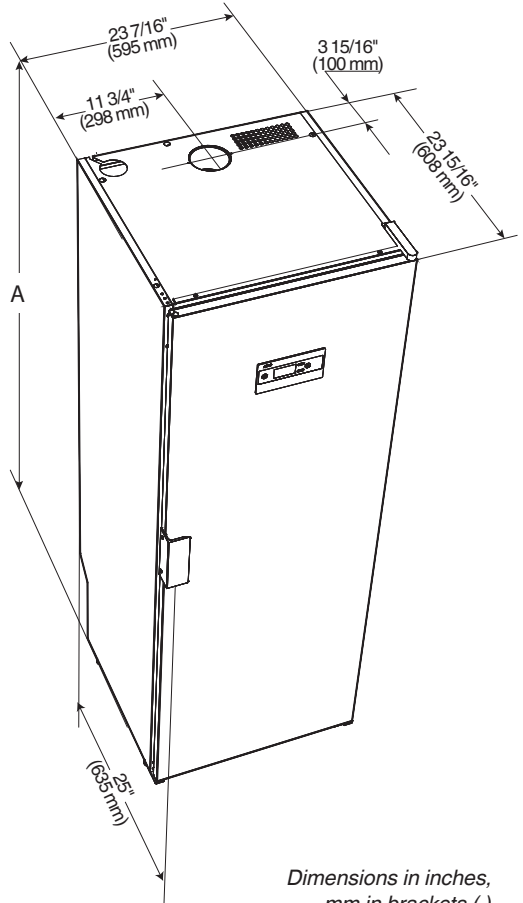
## Raise the cabinet

- 19 Raise the cabinet and place it in position and **secure the cabinet to the wall.**

# INSTALLATION

## LOCATION REQUIREMENTS

- If the drying cabinet is to be installed connected to air exhaust ventilation, this must be available in the room.
- There must be an grounded outlet socket within a distance of  $78\frac{3}{4}$ " (2 m) from the upper part of the drying cabinet. The drying cabinet has a  $78\frac{3}{4}$ " (2 m) long grounded outlet lead with a plug connected.
- The power cord should be located such that there is no need for an extension cable.
- It must be possible to reach the outlet easily after the drying cabinet has been installed.
- This must also be kept in mind if the drying cabinet is built into woodwork or similar. See also the section on 'Electrical connection'.
- The floor where the cabinet is located must withstand a weight of around 132.28 lbs (60 kg).
- The floor must be level with a max drop of  $63/64$ " (2.5 cm) under the cabinet.
- The drying cabinet is intended only for installation indoors with a temperature above 32°F (0°C).
- The drying cabinet must not be placed in an environment in which high-pressure water is used for cleaning.



Dimensions in inches,  
mm in brackets ( )

Cabinet designation	A inch (mm)
DC7784V	$72\frac{1}{16}$ " (1840 mm)

## **INSTALLATION INSTRUCTION – LAUNDRY CARE CONCEPT**

Instruction for installing the drying cabinet next to ASKO washing machines, hidden-helpers and tumble dryers.

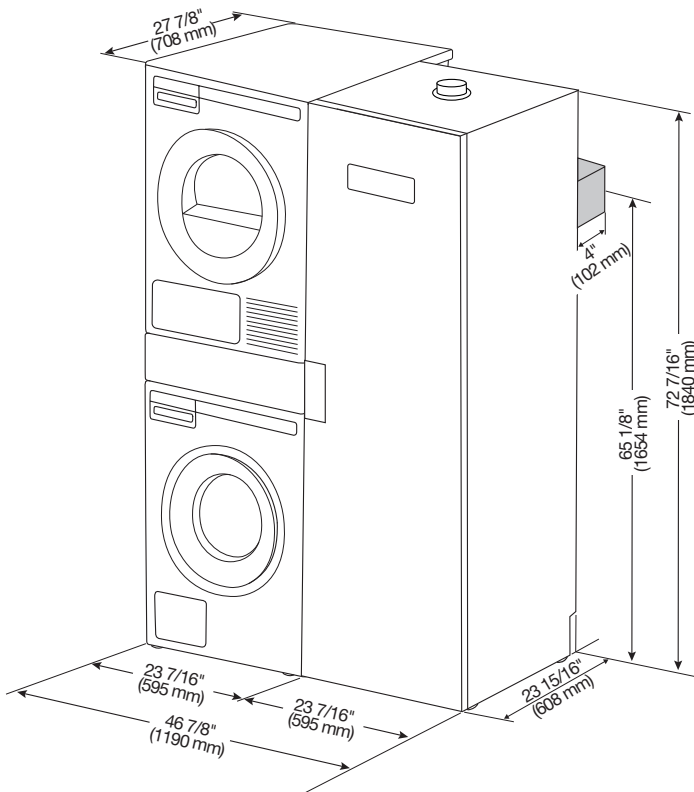
If your washing machine is slightly less deep than the drying cabinet you only have to fix the drying cabinet to the wall and place the other appliances next to it.

If your washing machine is deeper than the drying cabinet you will need to add a 4 inch (102 mm) distance (wood stud for example) to achieve aligned installation together with the other appliances. The distance should be attached to the wall for fixed installation.

This distance is needed if you have bought a XL appliance listed below;

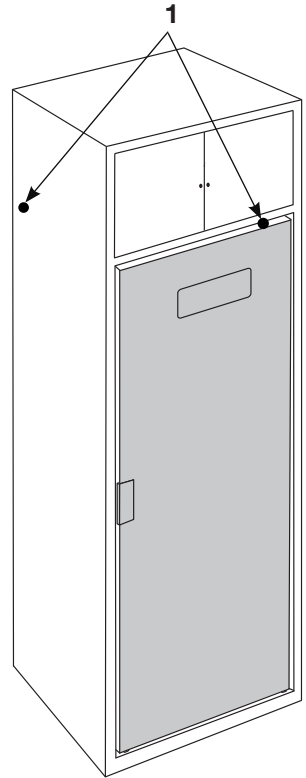
W4114 T411

W6124 T611

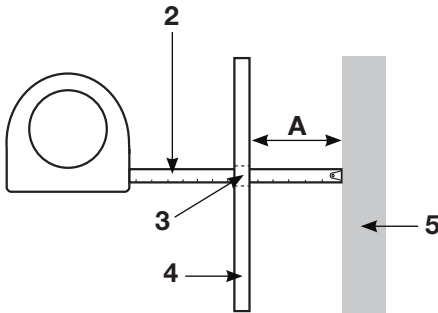


## MOUNTING INTO CUSTOM CABINETS

- 1 Keep the door taped closed until the cabinet is in place. Slide the drying cabinet in so that it is flush and centered with the cabinet face.
- 2 Plug in the power cord to the electrical outlet, making sure that the cord is not crimped and that the plug can be easily unplugged without moving the unit.
- 3 Remove the tape and open the door. Pull out the upper hanger section. Measure and note the distance between the drying cabinet's rear wall and the wall behind the drying cabinet. See dimension "A" in the figure.
- 4 Mark the location of the holes on the wall with a pencil.
- 5 Push back the hanger section, close the door and tape it closed. Pull out the entire drying cabinet.
- 6 Use a **wood shim** with thickness "A" according to point 3 as a gauge block. The shim must:
  - a) be divided into two parts for allowing free air flow behind the drying cabinet. Length ~6 in. (15 cm) each.
  - b) have a thickness of minimum  $\frac{1}{2}$ " (13 mm).
- 7 Screw the shims with two screws each to the wall behind the drying cabinet so that it covers the marked holes according to point 4. Use screws with appropriate length.

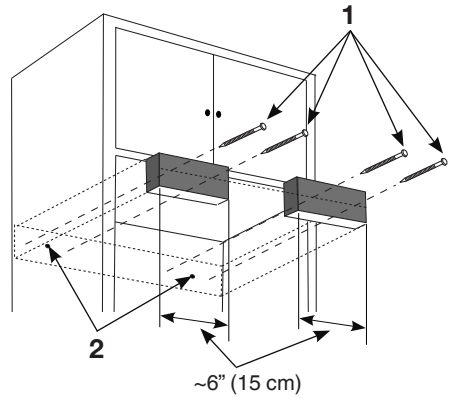


*Slide the drying cabinet in so that it is flush and centered with the cabinet face.*



1. Minimum ventilation openings in the top and between the cabinet and the rear wall must be  $\frac{1}{2}$ " (13 mm).
2. Tape measure
3. Mounting hole
4. Rear drying cabinet wall
5. Wall behind drying cabinet

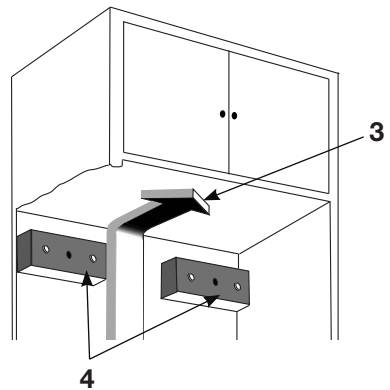
- 8 Push the drying cabinet back into its final location. Remove the tape that holds the door closed and check that the shims are aligned with the back of the drying cabinet. Also check that the drying cabinet's front section fits properly into the custom cabinetry.
- 9 **Level** the drying cabinet according to section "Levelling".
- 10 Pull out the upper hanger section and drill assembly holes in the wood shims for the mounting screws through the predrilled holes in the back of the drying cabinet.
- 11 Secure the cabinet with the supplied screws and associated washers.



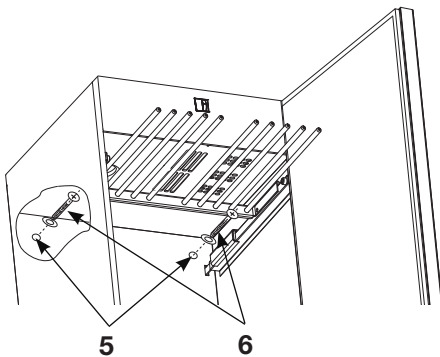
**! IMPORTANT!**

Check that the shims are properly secured to the rear wall and that the installation screws do not obstruct the drying cabinet's mounting holes.

The wood shims are not included in the delivery.



Custom cabinetry with mounted wood shims allowing free airflow.



1. Fastening screws
2. Mounting hole markings from the predrilled holes in the rear drying cabinet wall.
3. Air flow
4. Wood shims
5. Pre-drilled holes
6. Retaining screws with washers

The drying cabinet is intended only for use indoors in a dry place.

Do not place the drying cabinet in an area where high-pressure washing is used for cleaning.

To reduce the risk of fire, this appliance must be fastened or otherwise secured to an uncovered concrete floor.

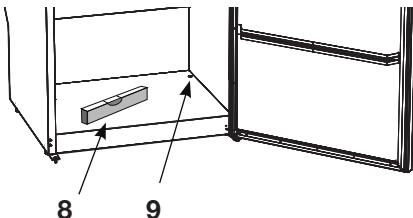
### LEVELLING

The drying cabinet must be **level on a flat surface**, resting on all four feet. Use the Allen wrench supplied and adjust the feet through the holes in the baseplate of the drying cabinet. Press the four covering plugs firmly into the holes after adjustment.

### SECURING TO WALL

The cabinet must be **secured to a wall** to prevent it from tipping over.

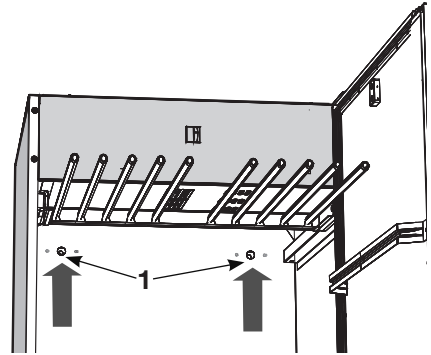
- 1 Open the door, pull out the upper hanging section and drill 8 mm holes in the wall through the two pre-drilled holes in the drying cabinet with extended upper hanger section rear of the drying cabinet (1).
- 2 Fit the plastic plugs in the wall (if necessary). Fit the screw with the flat washer as illustrated. Cover the holes with the cover plugs. Screws for fixing, washers and plastic plugs are provided in the assembly kit.



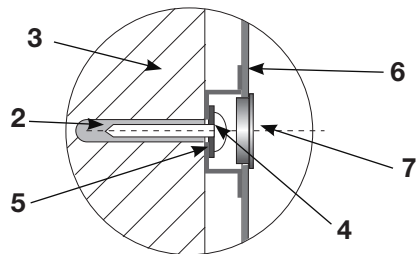
### ⚠ CAUTION!

The drying cabinet must not be used without being attached to a wall to avoid the risk of tipping over forward.

The installation is not complete and the cabinet must not be used until the drying cabinet has been attached to the wall according to the installation instructions. The illustration shows the attachment points.



Drying cabinet with extended upper hanger section



1. Pre-drilled holes
2. Wall plug
3. Wall behind drying cabinet
4. Fixing screws
5. Washer
6. Rear wall of drying cabinet
7. Cover plug
8. Spirit level
9. Cover plug



## **VENTILATION CONNECTION**

---

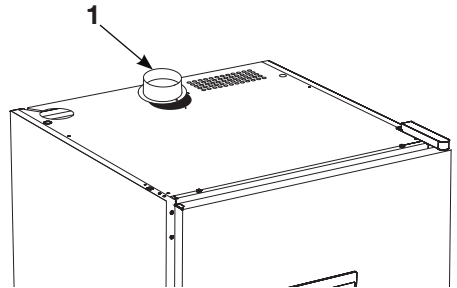
If the drying cabinet is installed in a custom cabinetry, fit the exhaust collar through the vent opening in the upper part of the cabinetry when the drying cabinet is moved to its final location.

---

The exhaust collar is designed to be screwed in place with two screws to the drying cabinet's top plate. There are predrilled holes in the exhaust collar and top plate.

---

- 1** Place the exhaust collar over the hole in the drying cabinet's top plate, align the screw holes and screw the exhaust collar into place.
- 2** Connect the vent pipe if the drying cabinet is built in, or press the supplied (only certain markets) flexible hose into place. See the section "Ventilation requirements".



*1. Exhaust collar*

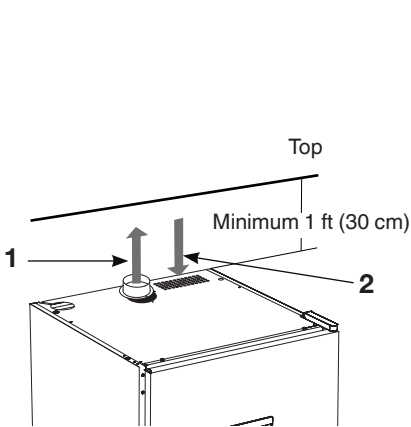
## VENTILATION REQUIREMENTS

Moist air can be discharged in two ways:

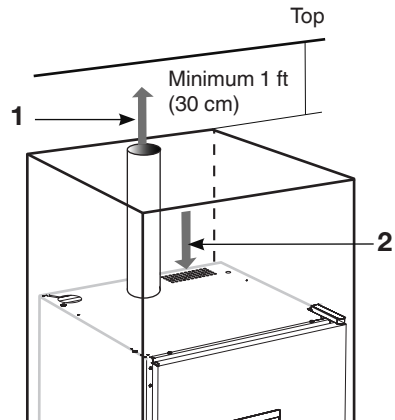
- Ventilation out into the room where the drying cabinet is located
- Connection to a vent duct (exhaust air ventilation)

### VENTILATION OUT INTO THE ROOM WHERE THE DRYING CABINET IS LOCATED

- It is advisable to open a door or window in the room for optimal ventilation.
- When the drying cabinet is built in, the supplied vent hose (only certain markets) is replaced by a solid vent pipe with a diameter of 4 in. (10.2 cm). The vent pipe should not exceed 3 ft (91.4 cm) in length.
- The distance between the vent pipe's upper edge and the ceiling must not be less than 1 foot (30 cm).
- The vent pipe must extend beyond the enclosing cabinet work.
- Provide appropriate air supply to the drying cabinet's air intake.



Ventilation out into the room where the drying cabinet is located. Drying cabinet not built in.



Ventilation out into the room where the drying cabinet is located. Built-in drying cabinet in custom cabinetry.

1. Moist air out
2. Air intake

## **EVACUATION / AIR SUPPLY**

When the cabinet is on, 1589 $\frac{3}{32}$  ft<sup>3</sup> (45 m<sup>3</sup>) moist air per hour is evacuated. It must therefore be ensured that air can enter the room to replace the moist air that is vented out.

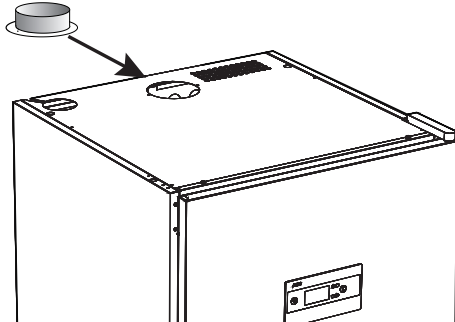
### **CONNECTION TO EVACUATION**

The drying cabinet can be connected to the evacuation duct in **two ways**, either with a **draft stabilizer** or **permanently fitted to a mechanical exhaust ventilation unit**.

If the drying cabinet is to be connected to an existing ventilation system, a draft stabilizer must always be used, so that the general ventilation in the room is not affected.

Permanent fitting must only be carried out when a separate exhaust-air duct is routed to the drying cabinet, the air flow in the exhaust-air duct being adjusted to 1589 $\frac{3}{32}$  ft<sup>3</sup> (45 m<sup>3</sup>) per hour.

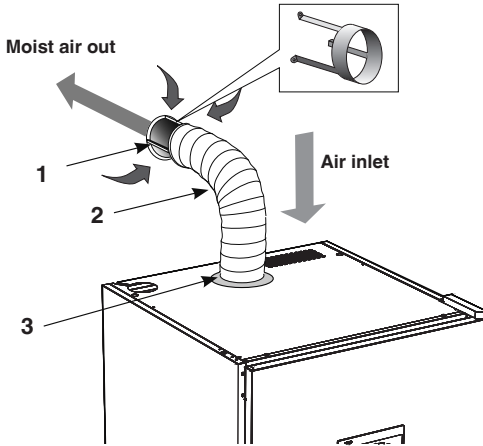
**The drying cabinet has been tested and factory-set for connection with a draft stabilizer.**



*Place the supplied spigot over the hole on the top of the cabinet, insert the screws and secure the spigot.*

### WITH DRAFT STABILIZER

Fit the supplied hose onto the spigot. Connect the other end of the hose to the draft stabilizer and then secure this on the exhaust vent in the room.



---

The drying cabinet must not be connected to a flue.

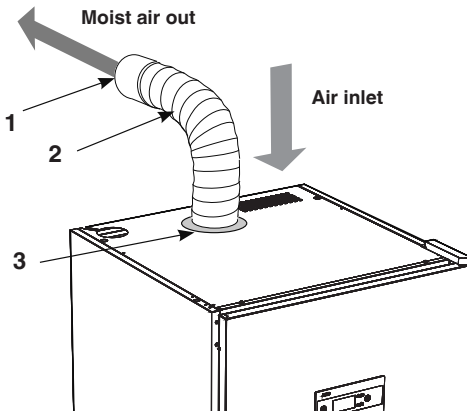
---

The air inlet must not be blocked.

---

1. Draft stabilizer
2. Flexible hose
3. Spigot

### PERMANENTLY FITTED TO MECHANICAL EXHAUST AIR VENTILATION UNIT



When the cabinet is permanently connected to a ventilation duct, the whole room is ventilated through the drying cabinet.

Connect the hose to the adapter between the hose and the ventilation duct.

---

The air inlet must not be blocked.

---

Adapter is not supplied.

---

1. Adapter
2. Hose
3. Spigot

## ELECTRICAL CONNECTION



### CAUTION!

Read the Electrical Requirements and Grounding instructions before connecting the drying cabinet.

---

The drying cabinet should be connected to an grounded wall socket using the supplied power cord and must not be permanently wired.

---

The outlet should be located so that the plug can be easily pulled out if necessary.

---

Check that the supply current matches the data on the rating plate and that the outlet is grounded correctly according to local code. We recommend that the power cord be fitted with a **residual current device (RCD)**.

---

The drying cabinet must be connected to a dedicated circuit.

---

Do not connect the drying cabinet to the power supply with an extension cord as the necessary safety cannot be guaranteed (risk of overheating).

---

The appliance's connection to power supply should comply with the relevant electrical safety regulations.

---

The drying cabinet is connected to a 120 V single-phase 60 Hz and protectively grounded wall socket.

Fuse 13 A .

The drying cabinet is supplied ready for connection with a power cord and an grounded plug.

---

The manufacturer disclaims all liability if the electrical connection has not been carried out in the way described in this use and care manual.

---

If the power cord is damaged for any reason, it must be replaced. Original spare part is available from the drying cabinet dealer. A damaged power cord may only be replaced by a person authorized by the manufacturer.

---



### CAUTION!

A damaged connecting cable may only be replaced with a special connecting cable of the same type (can be ordered from ASKO's spare parts department). For safety reasons, the replacement may be carried out only by a qualified electrician or by ASKO Service.

---

## **BEFORE USING THE DRYING CABINET**



Read this User Manual before starting the drying cabinet.

---

- Make sure that the cabinet is firmly attached to the wall. See the chapter "PLACEMENT".
- Make sure that no packaging material has been left behind.
- Use a mild detergent with hot water and wash the inside and outside of the drying cabinet. Dry carefully. See also the 'Care' section later in the manual.



### **CAUTION!**

Read the safety instructions (see the chapter "IMPORTANT SAFETY INFORMATION") before using the drying cabinet.

---

# OPERATION



## WARNING!

To reduce the risk of electric shock or injury to persons, read the "IMPORTANT SAFETY INSTRUCTIONS" section before operating this appliance.

---

### **ARRANGING LAUNDRY FOR DRYING**

There are three sections with hangers in the cabinet. Each section has a number of rails for hanging laundry.

- Hang the items in the drying cabinet according to how much space they require - not according to their weight.
- For most efficient drying, do not lay item flat on the upper hanger section.
- Place long items of clothing closest to the walls of the cabinet and shorter items towards the center of the cabinet. The most efficient drying results are achieved by hanging the items in this way.
- Fold up the two bottom hanger sections if long items are to be dried.
- Hang gloves, caps, scarves and similar items on the door hangers/glove hangers on the inside of the door.
- To make it easier, extend the hanger section when hanging laundry.
- Do not overload the drying cabinet. If you do, the laundry will become creased and dry unevenly. Instead, leave a space between the items of clothing if possible.
- If there is a risk of particular items shedding color, free space should be left around them.

- Avoid drying heavy items of clothing together with lighter items as they have very different drying times.
- Do not hang knitted items. These will stretch unnecessarily as they are heavy when wet.

### **CABINET EQUIPPED WITH COAT HANGER RACK AND SHOE RACK**

- For more efficient drying, hang shirts, jackets, etc. on clothes hangers and hang these on the clothes hanger rack.
- Use the shoe rack for more efficient drying of shoes.

### **USER ADVICE**

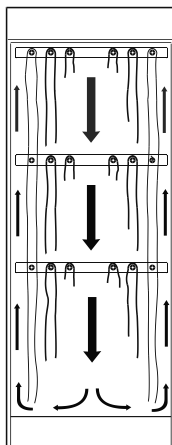
- Always following the laundry instructions on the item of clothing if present.
- If a fabric conditioner or anti-static agent is used, follow the manufacturer's instructions for use of this product.
- Remove laundry that it is already dry. This will reduce drying time for remaining laundry.

## **AIR FLOW**

The illustration shows the air flow in the drying cabinet.

**Keep the area around the evacuation duct clear of dust and dirt.**

**Make sure that the air intake and exhaust duct are not blocked.**



### **NOTE**

When the cabinet is cold it may happen that the sealing strip of the door does not close completely. However, this is fully compensated when the cabinet is operating with heat as the sealing strip expands.



## DRYING PROGRAMS

This drying cabinet is equipped with **automatic programs** and **manual drying programs** for efficient drying of fabrics of different kinds.

**The automatic programs** automatically switch off the drying process when the fabrics are dry. During the last 10 minutes, the heat is switched off while the fan cools down the fabrics (cool-down period).

The **manually time-controlled programs** stop after a set time has been counted down. Cooling also takes place in the last 10 minutes of drying time in this case.

### AUTOMATIC PROGRAMS

- **Aut 104°F (40°C) Normal dry.** Used for drying items of normal thickness.
- **Aut 104°F (40°C) Extra dry.** Used for drying thicker items, deep drying.
- **Aut 140°F (60°C) Normal dry.** Used for drying items of normal thickness.
- **Aut 140°F (60°C) Extra dry.** Used for drying thicker items, deep drying.

**104°F (40°C) or 140°F (60°C)** is selected taking account of the washing instructions for the item.

### MANUAL PROGRAMS

- **Man 86°F (30°C).** A time-controlled drying program that should be selected for sensitive fabrics that should not be exposed to temperatures above 86°F (30°C).
- **Man 104°F (40°C).** As above, but a somewhat higher drying temperature is allowed.
- **Man 140°F (60°C).** As above, but the fabrics can be dried at max. 140°F (60°C).
- **Man --.** This is a very energy-efficient drying program without heat, only the fan dries the laundry.

**86°F (30°C), 104°F (40°C) or 140°F (60°C)** is selected taking account of the washing instructions for the item.



#### NOTE

It is very important to follow the laundry instructions for the fabrics concerned when selecting the drying program.

---

## ***CHILD LOCK***

To make sure that the drying process is not interrupted or started by mistake, a child lock function can be activated.

### ***FUNCTION OF THE CHILD LOCK***

Activation buttons must be held down for a least 3 seconds (delay time).

### ***ACTIVATION/DEACTIVATION OF CHILD LOCK***

The child lock is activated and deactivated via a setting parameter (see the chapter "SETTING DRYING PROGRAMS/Parameter list"). When this function is activated, a clock symbol appears on the display.

## **START AUTOMATIC PROGRAM**

Start the cabinet by pressing **ON/OFF**.

The display lights up and shows the last program used.

E.g. *AUT 104° NORMAL DRY*

The text flashes.

If this is OK - **press OK**

and the process will then start.

– or select another program with **UP / DOWN ARROW + OK** and the process will then start.

## **STARTING A MANUAL PROGRAM**

Start the cabinet by pressing **ON/OFF**.

The display lights up and shows the last program used

e.g. *MAN 104°*

The text flashes.

If this is OK - **press OK**

the default or last used drying time flashes,

e.g. *2:30* (two hours, 30 minutes)

If this is OK - **press OK**

the process starts at once, in this example, Man 104°F (40°C) program where the time is counted down from 2½ hours.

– or select a different drying time with **UP ARROW** (increases drying time) **DOWN ARROW** (reduces drying time) + **OK** the process starts with a Man 104°F (40°C) program with a new drying time.

A different manual drying program is selected in the same way as above.

If the child lock is activated, hold this button down for at least 3 seconds.

## **FACTORY-SET DRYING TIMES FOR MANUAL PROGRAMS**

**Man 86°F (30°C)** 2:30 (two hours, 30 minutes)

**Man 104°F (40°C)** 2:30

**Man 140°F (60°C)** 2:30

## **USER ADVICE**

- If you have made a mistake or are unsure where you are, you can always press **ON/OFF** and start selecting drying program again.
- If the door is open when a drying program is started and the **OK** button is activated, the display will show “*CLOSE DOOR*”. Close the door, and the selected drying program will start.
- The **animated symbol** (bar) on the left side of the display indicates that the drying process is in progress.
- When the drying process has finished, the display shows the text “*END*” (flashing). When the **STOP** button is then pressed, or the door is opened, the current program ends and the display shows the last used program.
- **NOTE: In standby mode the display goes off after 15 minutes and lights up when any of the buttons on the control panel is activated or the door is opened.**
- To halt a drying process in progress, press **STOP**.
- If the door is opened while the drying process is in progress, the fan will continue operating for another 5 minutes. The display shows “*CLOSE DOOR*” and counts down the 5 minute program pause period.

If the door is closed within this 5 minute period, the drying process will restart.

If the door is left open, the drying process will stop after 5 minutes and must be restarted manually.

If you wish to stop the drying process immediately, without a 5 minute period, press **STOP**.

## SETTING DRYING PROGRAMS

Setting to optimise the drying cabinet's automatic program is done using the buttons on the control panel when the drying cabinet is in **programming mode**.

Adjustments must be made if it is found that

- the laundry does not dry sufficiently.
- the laundry is over-dried – long drying time.

### PROGRAMMING MODE

- 1 Make sure that the **ON/OFF** switch on the drying cabinet is in the OFF position. The display is unlit.
- 2 Hold down the **UP ARROW** and **DOWN ARROW** buttons **simultaneously** and press the **ON/OFF** switch to the "ON" position. The display is lit and shows "P 105" flashing, which is the first setting parameter in the list below. Then select the relevant parameter using the arrow keys and confirm with **OK**.
- 3 To return to operating mode, press **DOWN ARROW** and then **OK**.

## PARAMETER LIST

Parameter	Name	Factory preset	Min value	Max value	Signifies
P105	Language	1	0	7	Swedish For setting, see the chapter "COMPONENTS/Language".
P106	Temperature system	1	0	1	Signifies: 1 = Fahrenheit, 0 = Celsius
P115	Child lock On/Off	0	0	1	Off. Value 1 = Child lock ON
P2011	Min drying time Aut 104°F (40°C)	35 min	10 min	45 min	Regardless of moisture level, the drying process runs 35 min. Factory preset.
P2012	Max drying time Aut 104°F (40°C)	360 min	60 min	360 min	Regardless of moisture level, the drying process runs 360 min. Factory preset.
P2013	Max temp Aut 104°F (40°C)	123°F (51°C)	106°F (41°C)	142°F (61°C)	The heating elements switch off if the value is exceeded.
P2014	Exhaust temp. process finished Aut 104°F (40°C)	95°F (35°C)	93°F (34°C)	129°F (54°C)	For Normal programs the drying process ends with cooling. For Extra programs the extra drying time starts, followed by cooling.
P2015	Extra drying time Aut 104°F (40°C)	30 min	10 min	45 min	Extra program drying time after exhaust temp. has been reached.
P2021	Min drying time Aut 140°F (60°C)	35 min	15 min	45 min	Regardless of moisture level, drying process runs 35 min. Factory preset.
P2022	Max drying time Aut 140°F (60°C)	240 min	60 min	360 min	Regardless of moisture level, drying process runs 240 min. Factory preset.
P2023	Max temp Aut 140°F (60°C)	194°F (90°C)	142°F (61°C)	212°F (100°C)	The heating elements switch off if the value is exceeded.

<b>Parameter</b>	<b>Name</b>	<b>Factory preset</b>	<b>Min value</b>	<b>Max value</b>	<b>Signifies</b>
<b>P2024</b>	Outlet temp. process finished Aut 140°F (60°C)	107°F (42°C)	104°F (40°C)	163°F (73°C)	For Normal programs the drying process ends with cooling.  For Extra programs the extra drying time starts, followed by cooling.
<b>P2025</b>	Extra drying time Aut 140°F (60°C)	30 min	10 min	45 min	Extra program drying time after exhaust temp. has been reached.

## **ADJUSTMENT**

The program **Aut 104°F (40°C) Normal** is controlled via **temp sensor exhaust air**.

The program **Aut 104°F (40°C) Extra** is controlled via **temp sensor exhaust air** and a **time factor**.

The program **Aut 140°F (60°C) Normal** is controlled via **temp sensor exhaust air**.

The program **Aut 140°F (60°C) Extra** is controlled via **temp sensor exhaust air** and a **time factor**.

The automatic programs end automatically when the laundry is dry.

To decide when the laundry is dry, the actual exhaust air temperature is compared against a parameter, **P2014 for 104°F (40°C)** program and **P2024 for 140°F (60°C)** program.

For **Aut 104°F (40°C) Extra** an extra drying time is additionally added according to parameter **P2015**.

For **Aut 140°F (60°C) Extra** an extra drying time is additionally added according to parameter **P2025**.

It is primarily these four parameters that are adjusted to optimise the drying processes of the automatic programs.

**Aut 104°F (40°C) Normal** and **Aut 104°F (40°C) Extra** are adjusted with **parameter P2014**.

**Aut 104°F (40°C) Extra** is additionally adjusted with **parameter P2015** (extra drying time).

**Aut 140°F (60°C) Normal** and **Aut 140°F (60°C) Extra** is adjusted with **parameter P2024**.

**Aut 140°F (60°C) Extra** is additionally adjusted with **parameter P2025** (extra drying time).

If it is found that the laundry does not dry sufficiently, the parameter value is **increased**.

If it is found that the laundry is over-dried, long drying time, the parameter value is **reduced**.

Optimisation of drying processes must always take place in small steps, start by adjusting the parameter concerned one to two units up or down. Then check the result after the next drying process and make any further adjustment necessary.



## **PROCEDURE**

The setting parameters according to the list (see the chapter "SETTING DRYING PROGRAMS/Parameter list") are shown on the display as follows:

- on the **top row** of the display the relevant parameter is shown, for example P 2014,
  - on the **bottom row** the set value of the parameter is shown.
- 1 Go to programming mode. See the chapter "SETTING DRYING PROGRAMS/Programming mode".
  - 2 Browse to the relevant parameter by pressing the **ARROW UP** or **ARROW DOWN** key repeatedly. If you go too far, simply continue browsing until the display shows the correct parameter.
  - 3 When the display shows the correct parameter, for example "P 2012", press **OK** to confirm. The row now flashes with the set value of the parameter.
  - 4 Increase or reduce the value using the **ARROW UP** or **ARROW DOWN** key.
  - 5 To save the set value, press **OK**.
  - 6 To return to operating mode, press **DOWN ARROW** and then **STOP**.

## **RESTORING TO FACTORY SETTING**

- 1 Go to **programming mode** (see the chapter "SETTING DRYING PROGRAMS/Programming mode").
- 2 Hold down the **UP ARROW** and **DOWN ARROW** keys simultaneously and press **OK**. The factory settings are saved and the display shows the last run program.

# CARE

## CLEANING



### NOTE

Do not use high-pressure cleaning.

---

- Clean the walls of the cabinet with a mild soap solution on a damp cloth.
- Dust tends to collect around the air intake on the top of the cabinet. This can cause disruption, in turn leading to breakdowns in operation.

To avoid these problems, the air intake and the roof of the cabinet should be vacuumed at least once a year, or more often depending on the environment the cabinet is positioned in.

## REPLACEMENT PART

If the power cord for any reason is damaged, it must be replaced. A genuine spare part can be obtained from the dealer who supplied the cabinet.



### NOTE

A replacement cord may be installed only by the manufacturer, the manufacturer's service agent or other qualified electrician.

---



### NOTE

Cleaning and maintenance must not be performed by children without supervision.

---

## OVERHEAT CUT-OUT

The cabinet is equipped with an overheat cut-out.

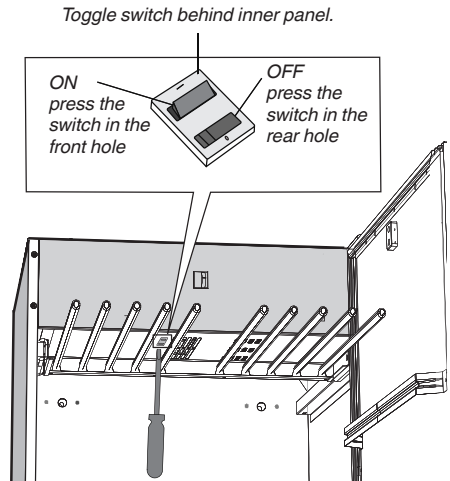
This trips when the temperature in the fan unit exceeds 248°F (120°C).

When the overheat cut-out triggers, the display dims down and pauses the ongoing program.

- 1 You reset the overheat cut-out by turning OFF the power supply with the switch inside the roof of the cabinet. See illustration.
- 2 You must then wait 15 to 20 minutes before the temperature has fallen.
- 3 Now you can reset the overheat cut-out by turning ON the power supply with the switch inside the roof of the cabinet. See illustration.

If the overheat cut-out triggers again when you start a program, redo step 1, 2, 3 above.

If overheat cut-out triggers several times, call for service.



# TROUBLESHOOTING

## DEAL WITH MINOR FAULTS YOURSELF

Problem	What you can do
The drying cabinet is not working	<ol style="list-style-type: none"><li>1. Check that the power cord is connected to a outlet.</li><li>2. Check that no breaker has tripped.</li><li>3. Have you pressed the start button?</li><li>4. Is the door closed?</li></ol>
The display shows an alarm/error code	This should normally not happen, but if an alarm or error code appears, first try to reset the alarm by holding the START/STOP button down for 5 sec. If the problem persists, a service technician must be called in.
Drying takes a long time	<ol style="list-style-type: none"><li>1. Check that the correct program has been selected for the type of laundry.</li><li>2. Check that the laundry is not very wet (poorly spun).</li><li>3. Check that too much laundry has not been hung.</li></ol>
The washing does not become dry	<ol style="list-style-type: none"><li>1. Check that the correct program has been selected for the type of laundry.</li><li>2. Check that too much laundry has not been hung.</li><li>3. Adjust parameters 2014, 2015, 2024 and 2025 according to the chapter "Setting of drying program".</li></ol>
The sealing strip does not close tightly/the door is ajar	Check that the cabinet is level. Check with a spirit level, if necessary adjust with the adjustable feet.

# SERVICE AND WARRANTY

## LIMITED WARRANTY – RESIDENTIAL APPLIANCES

This Limited Warranty covers parts and labor, except as set forth in this Limited Warranty. Service must be provided by an authorized ASKO service company. YOUR SOLE AND EXCLUSIVE REMEDY UNDER THIS LIMITED WARRANTY SHALL BE PRODUCT REPAIR AS PROVIDED HEREIN. This Limited Warranty is valid only when the ASKO Product is used in the country in which it was purchased. Proof of original purchase date is required to obtain service under this Limited Warranty. This warranty only applies to the original purchaser and is non-transferable.

### **Residential ASKO Products Used Exclusively for Household/Personal Purposes:**

Two (2) Years limited Warranty – Any warranty service claims for residential ASKO Products must be filed with ASKO within two (2) years from date of purchase. Service will be provided during normal business hours.

### **Residential ASKO Products Not Used Exclusively for Household/Personal Purposes or used Commercially or used in Marine, Mobile or Aeronautical Applications:**

One (1) Year limited Warranty – Any warranty service claims for ASKO Products not used exclusively for household and personal use, or used commercially or used in marine, mobile, or aeronautical applications must be filed with ASKO within one (1) year from date of purchase. Service will be provided during normal business hours.

## ITEMS EXCLUDED FROM WARRANTY

**This limited warranty does not cover:**

1. Replacement parts or repair labor if the ASKO Product is used in a manner that is inconsistent with published user or operator instructions and/or installation instructions.
2. Service calls to correct the installation of the ASKO Product, to instruct you on how to use the ASKO Product, to replace or repair house fuses, or to correct house wiring or plumbing.
3. Consumable items and parts, such as filters.
4. Damage resulting from accident, alteration, misuse, abuse, negligence, fire, flood, acts of God, improper use, improper installation, installation not in accordance with electrical or plumbing codes, or use of products not approved by ASKO, as well as any attempted repair by other than authorized ASKO service companies.
5. Cosmetic damage, including scratches, dents, chips or other damage to the finish of the ASKO Product, unless such damage results from defects in materials or workmanship and is reported to ASKO within 5 days from date of purchase.
6. Pickup and delivery. The ASKO Product is intended to be repaired in your home.
7. Repairs to parts or systems resulting from unauthorized modifications made to the ASKO Product.
8. Expenses for travel and transportation for product service if the ASKO Product is located in a remote area where service by an authorized ASKO service company is not available.
9. The removal and reinstallation of the ASKO Product if it is installed in an inaccessible location or is not installed in accordance with ASKO's published installation instructions.
10. Replacement parts or repair labor on ASKO Products with original model/serial numbers that have been removed, altered or cannot be easily determined.

## **DISCLAIMER**

YOUR SOLE AND EXCLUSIVE REMEDY UNDER THIS LIMITED WARRANTY SHALL BE PRODUCT REPAIR AS PROVIDED HEREIN. EXPRESSLY DISCLAIMED ARE ALL OTHER EXPRESS AND IMPLIED WARRANTIES, INCLUDING ANY IMPLIED WARRANTIES OF MERCHANTABILITY AND FITNESS FOR A PARTICULAR PURPOSE. Some jurisdictions do not allow exclusion or limitations regarding warranty rights. This Limited Warranty gives you specific legal rights and you may have other rights that vary from jurisdiction to jurisdiction. Attempted repair by any person other than an authorized ASKO service company will void this Limited Warranty.

### **Limitation of liability**

IN NO EVENT SHALL ASKO OR THE MANUFACTURER AND THEIR RESPECTIVE PARENTS, SUBSIDIARIES AND AFFILIATES BE LIABLE FOR CONSEQUENTIAL, INCIDENTAL, EXEMPLARY, PUNITIVE OR SPECIAL DAMAGES. IN NO EVENT SHALL ASKO OR THE MANUFACTURER AND THEIR RESPECTIVE PARENTS, SUBSIDIARIES AND AFFILIATES BE LIABLE FOR DAMAGES OTHER THAN ACTUAL DAMAGES AND IN NO EVENT FOR DAMAGES IN EXCESS OF THE PRICE PAID FOR THE ASKO PRODUCT AS TO WHICH A CLAIM IS MADE. Some jurisdictions do not allow the exclusion or limitation of incidental, consequential or other damages, so these limitations and exclusions may not apply to you. This Limited Warranty gives you specific legal rights. You also may have other rights that vary from jurisdiction to jurisdiction.

## **ASKO CUSTOMER CARE**

Read the chapter Troubleshooting before contacting the service department. If you have encountered a problem that you cannot resolve, please contact your nearest dealer.

USA      [us.asko.com](http://us.asko.com), +1-800-898-1879

CANADA    [ca.asko.com](http://ca.asko.com), +1-800-361-0799, [service@distinctive-online.com](mailto:service@distinctive-online.com)

MEXICO    [asko.com/mx](http://asko.com/mx), +52-800-400-4372, [atencionalcliente@sub-zeromx.com](mailto:atencionalcliente@sub-zeromx.com)

When making contact, provide the details on the serial number plate. Include the service number (1), the article number (2), and the serial number (3).

## **SERVICE AFTER EXPIRATION OF LIMITED WARRANTY**

For information about obtaining parts and labor after expiration of this Limited Warranty or arising outside the scope of this Limited Warranty, please contact ASKO Customer Care.

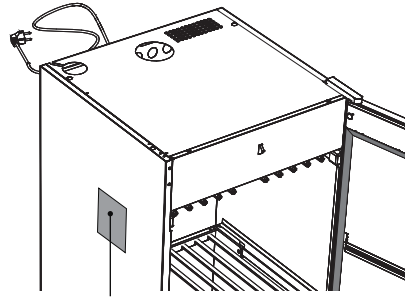
## SERVICE

**Before contacting Service**, you should find out the name, article number and serial number of the drying cabinet.

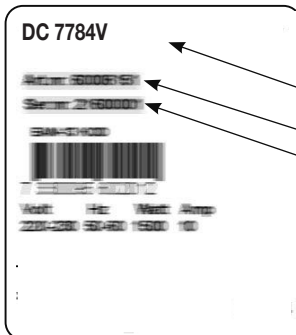
This information can be found on the drying cabinet located upper left side wall inside the cabinet.

### Service after expiration of limited warranty

For information about obtaining parts and labor after expiration of this Limited Warranty after or outside of expiration of this Limited Warranty, please contact ASKO Customer Care.



*Identification plate (inside)*



*Name of the drying cabinet*

*Article number*

*Serial number (12 digits)*

*Identification plate for drying cabinet model DC7784V*

## TECHNICAL DATA

<b>Capacity:</b>	8.82 lbs (4 kg) of laundry (cotton)
<b>Dewatering capacity:</b>	0.59 oz/min (17 g/min)
<b>Electrical supply:</b>	Single phase 120 V, 60 Hz
<b>Fuse:</b>	13 A
<b>Motor:</b>	35 W
<b>Heating element:</b>	1300 W
<b>Overheat cut-out:</b>	Yes
<b>Fan capacity:</b>	6356 <sup>4</sup> / <sub>64</sub> ft <sup>3</sup> /hour (180 m <sup>3</sup> /hour)
<b>Hanging length:</b>	52½ ft (16 metres)
<b>Dimensions DC7784V:</b>	Height 72 <sup>7</sup> / <sub>16</sub> " (1840 mm) 73 <sup>1</sup> / <sub>16</sub> " (1855 mm) incl. hinge Width 23 <sup>7</sup> / <sub>16</sub> " (595 mm) Depth 23 <sup>7</sup> / <sub>8</sub> " (606 mm) 25" (635 mm) incl. door handle
<b>Weight of DC7784V:</b>	~138.9 lbs (63 kg)
<b>Sound level:</b>	max 60 dB(A)

### MANUFACTURING STANDARD

See cabinet rating plate.

### WIRING DIAGRAM

Wiring diagram can be ordered from the manufacturer.

### IDENTIFICATION PLATE

See the chapter "SERVICE AND WARRANTY/Service").

## ENERGY CONSUMPTION AND DRYING TIMES

*Drying of spun laundry \*)*

Program	Energy consumption	Drying time
Aut 104°F (40°C)	0.60 kWh/kg laundry	2 hours 45 min
Aut 140°F (60°C)	0.62 kWh/kg laundry	2 hours

\*) Stated values apply to drying cabinet connected with draft stabilizer. Values may vary depending on spin speed











US.ASKO.COM • CA.ASKO.COM • ASKO.COM/MX

Right to make changes reserved.



ASKO DC 7784V



879787



ae (12-23)