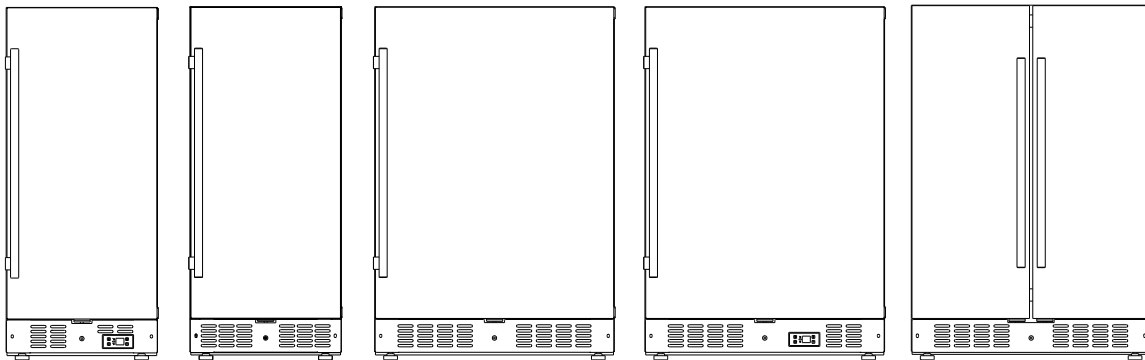




OUTDOOR or INDOOR FROST-FREE REFRIGERATORS, FREEZERS and REFRIGERATOR/FREEZERS



MODELS:

Refrigerators:

ASDS1523
FF64BSS

ASDS2413
SCR610BLS

SPR618OSADA

FF1532BSS

AL54IF

Freezers:

SCFF1533BSS

SCFF53BSS

Refrigerator/Freezers:

FFRF24SS

User Manual

BEFORE USE, PLEASE READ AND FOLLOW ALL SAFETY RULES AND OPERATING INSTRUCTIONS.

Write Model and Serial Nos. (on lower left corner of inside cabinet) here:

Model No.: _____

Serial No.: _____

Felix Storch, Inc.
ISO 9001:2015 registered company
770 Garrison Avenue
Bronx, NY 10474
www.summitappliance.com

TABLE OF CONTENTS

Appliance Safety	3
Important Safeguards	3-4
Location of Parts	5-9
Installation Instructions	10-15
<i>Before Using Your Appliance</i>	10
<i>Installation of Your Appliance</i>	10-11
<i>Electrical Connection</i>	12
<i>Reversing the Door Swing of Your Appliance</i>	12-14
<i>Adjusting the Height of the Unit</i>	14
<i>Adjusting the Kick-plate</i>	14
<i>Installing the Stainless Steel Handle</i>	14-15
<i>Full Overlay Panel Installation Instructions</i>	15
Operating Your Appliance	16-16
<i>Control Panel for Refrigerators</i>	16
<i>Settings Mode</i>	17
<i>Control Panel only for SCR610BLSD</i>	18
<i>Control Panel for Freezers</i>	19
<i>Control Panel for Refrigerator/Freezers</i>	20-21
<i>Sabbath Mode</i>	21
<i>Temperature Memory Function</i>	21
<i>Defrosting</i>	21
<i>Using the Freezer</i>	21-22
<i>Temperature Alarm / Door Alarm</i>	22
<i>Door Lock</i>	22
<i>Shelves</i>	22-23
Care and Maintenance	24
<i>Cleaning Your Appliance</i>	24
<i>Power Failure</i>	24
<i>Vacations</i>	24
<i>Moving Your Appliance</i>	24
<i>Energy-Saving Tips</i>	24
Troubleshooting	25-26
Limited Warranty	28

APPLIANCE SAFETY

Your safety and the safety of others are very important.

We have provided many important safety messages in this manual and on your appliance. Always read and obey all safety messages.



This is the Safety Alert Symbol. The symbol alerts you to potential hazards that can kill or injure you and others. All safety messages will follow the Safety Alert Symbol and either the word DANGER or WARNING.



DANGER means that failure to heed this safety statement may result in severe personal injury or death.



WARNING means that failure to heed this safety statement may result in extensive product damage, serious personal injury, or death.

All safety messages will alert you about the potential hazard, tell you how to reduce the chance of injury, and let you know what can happen if the instructions are not followed.

IMPORTANT SAFEGUARDS



Before the appliance is used, it must be properly positioned and installed as described in this manual, so read the manual carefully. To reduce the risk of fire, electrical shock or injury when using the appliance, follow basic precautions, including the following:



- Plug into a grounded 3-prong outlet, do not remove the grounding prong, do not use an adapter, and do not use an extension cord.
- Replace all panels before operating.
- It is recommended that a separate circuit serving only your appliance be provided. Use receptacles that cannot be turned off by a switch or pull chain.
- Never clean appliance parts with flammable fluids. These fumes can create a fire hazard or explosion. And do not store or use gasoline or other flammable vapors and liquids in the vicinity of this or any other appliance. The fumes can create a fire hazard or explosion.
- Do not connect or disconnect the electric plug when your hands are wet.
- Unplug the appliance or disconnect the power before cleaning or servicing. Failure to do so can result in electrical shock or death.
- Do not attempt to repair or replace any part of your appliance unless it is specifically recommended in this manual. All other servicing should be referred to a qualified technician.
- This appliance is CFC- and HFC-free and contains small quantities of Isobutane (R600a) which is environmentally friendly, but flammable. It does not damage the ozone layer, nor does it increase the greenhouse effect. Care must be taken during transportation and setting up of the appliance so that no parts of the cooling system are damaged. Leaking coolant can ignite and may damage the eyes.
- In the event of any damage:
 - Avoid open flames and anything which creates a spark.

- Disconnect from the power supply,
- Air the room in which the appliance is located for several minutes and contact the Service Department for advice.
- The more coolant there is in an appliance, the larger the room it should be installed in. In the event of a leakage, if the appliance is in a small room, there is the danger of combustible gases building up. For every ounce of coolant, at least 325 cubic feet of room space is required. The amount of coolant in the appliance is stated on the data plate inside the appliance. It is hazardous for anyone other than an Authorized Service Person to carry out servicing or repairs to this appliance.
- Take serious care when handling, moving, and using the appliance to avoid either damaging the refrigerant tubing or increasing the risk of a leak.
- Replacing component parts and servicing shall be done by factory-authorized service personnel, so as to minimize the risk of possible ignition due to incorrect parts or improper service.

WARNING

FOLLOW THE WARNING CALLOUTS BELOW ONLY WHEN APPLICABLE TO YOUR MODEL

- Use two or more people to move and install the appliance. Failure to do so can result in back or other injuries.
- To ensure proper ventilation for your appliance, the front of the unit must be completely unobstructed. Choose a well-ventilated area with temperatures above 44°F (7°C) and below 90°F (32°C).
- The appliance should not be located next to ovens, grills, or other sources of high heat.
- The appliance must be installed with all electrical, water, and drain connections in accordance with state and local codes. A standard electrical supply (115 V AC only, 60 Hz), properly grounded in accordance with the National Electrical Code and local codes and ordinances, is required.
- Do not kink or pinch the power supply cord of the appliance.
- The size of the fuse (or circuit breaker) should be 15 amperes.
- It is important that the appliance be leveled in order to work properly. You may need to make several adjustments to level it.
- All installations must be in accordance with local plumbing code requirements.
- Make certain that the pipes are not pinched, kinked, or damaged during installation.
- Check for leaks after connection.
- Never allow children to operate, play with or crawl inside the appliance.
- Do not use solvent-based cleaning agents or abrasives on the interior. These cleaners may damage or discolor the interior.
- Use this appliance only for its intended purpose as described in this *Instruction Manual*.
- Keep fingers out of the “pinch point” areas. Clearances between the door and cabinet are necessarily small. Be careful closing the door when children are in the area.

DANGER

Risk of child entrapment!

Child entrapment and suffocation are not problems of the past. Junked or abandoned appliances are still dangerous, even if they will “just sit for a few days.”

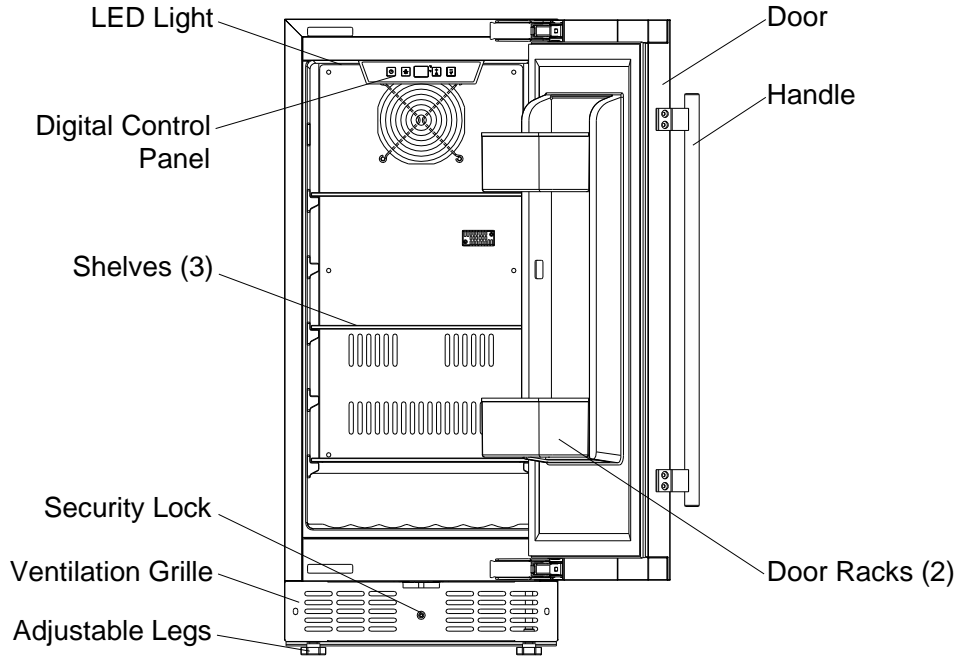
Before discarding your old refrigerator:

- *Take off the doors*
- *Leave the shelves in place so that children may not easily climb inside.*

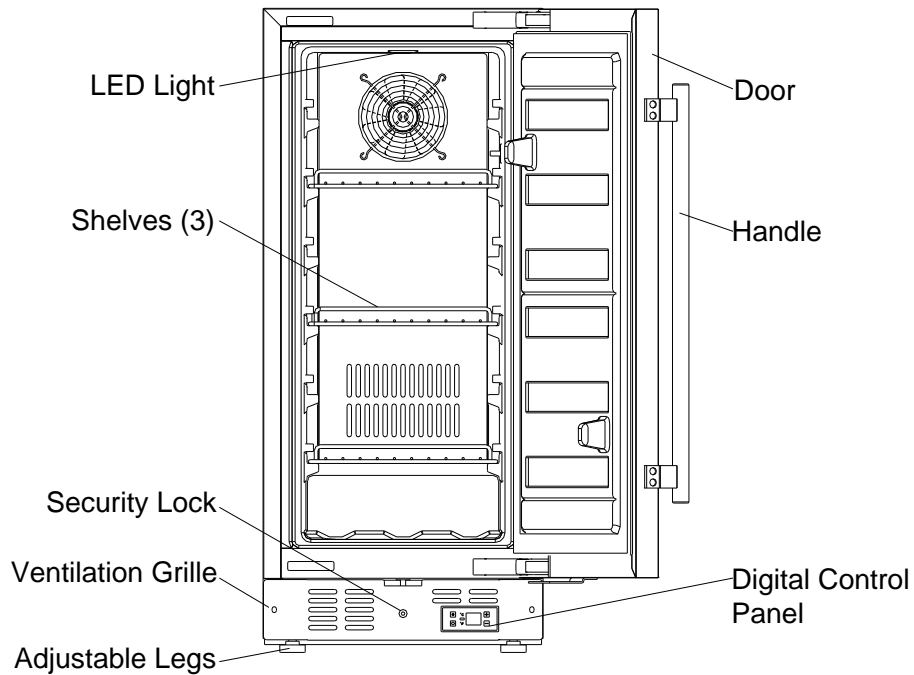
- SAVE THESE INSTRUCTIONS -

LOCATION OF PARTS

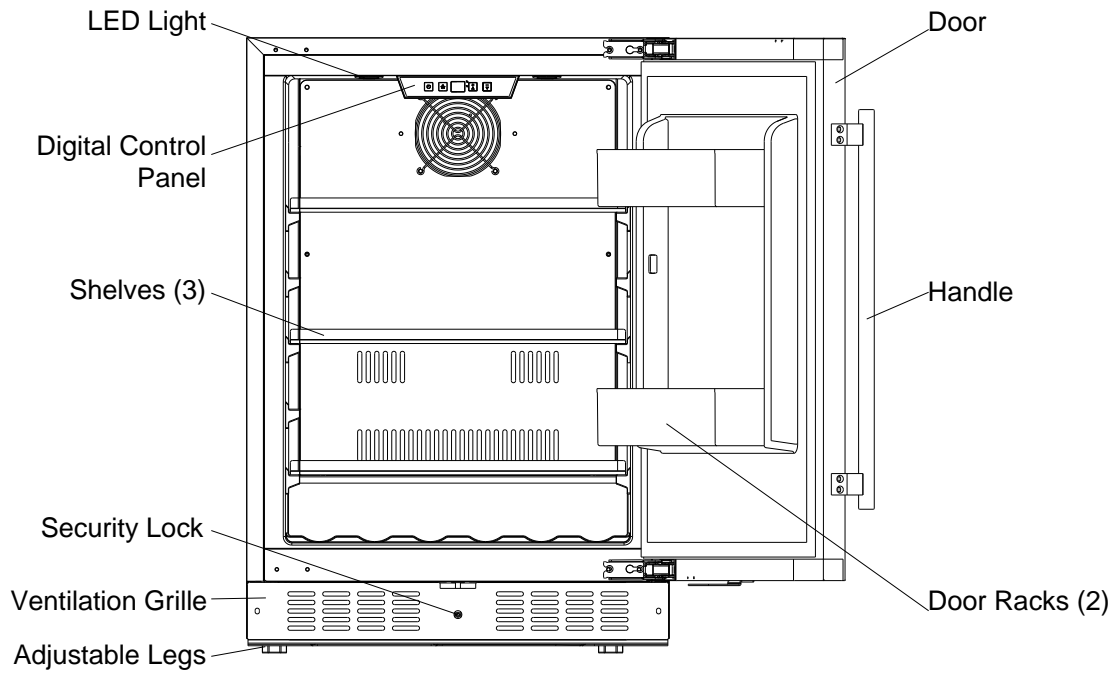
MODEL FF1532BSS – FROST-FREE REFRIGERATOR



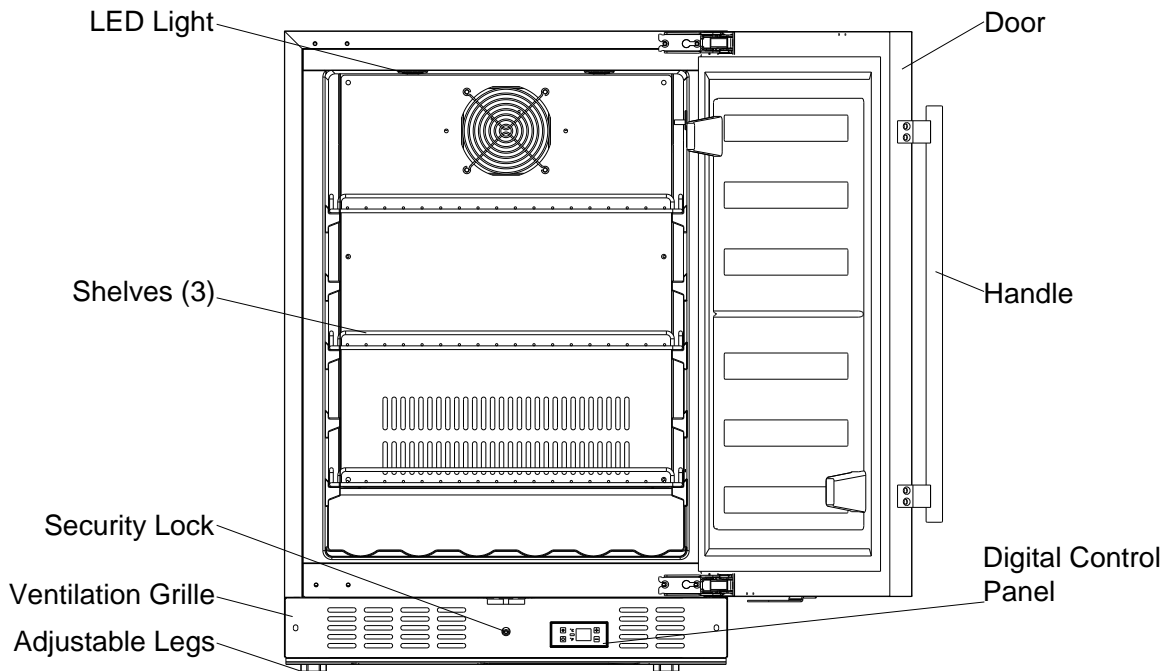
MODEL SCFF1533BSS – FROST-FREE FREEZER



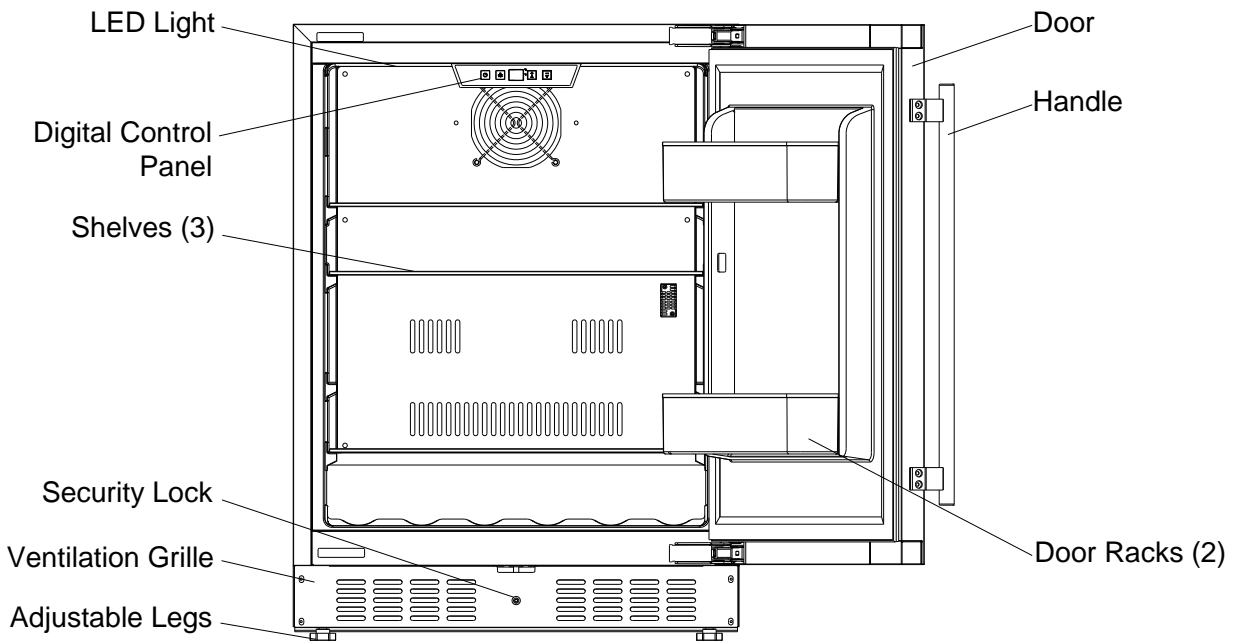
MODEL FF64BSS – FROST-FREE REFRIGERATOR



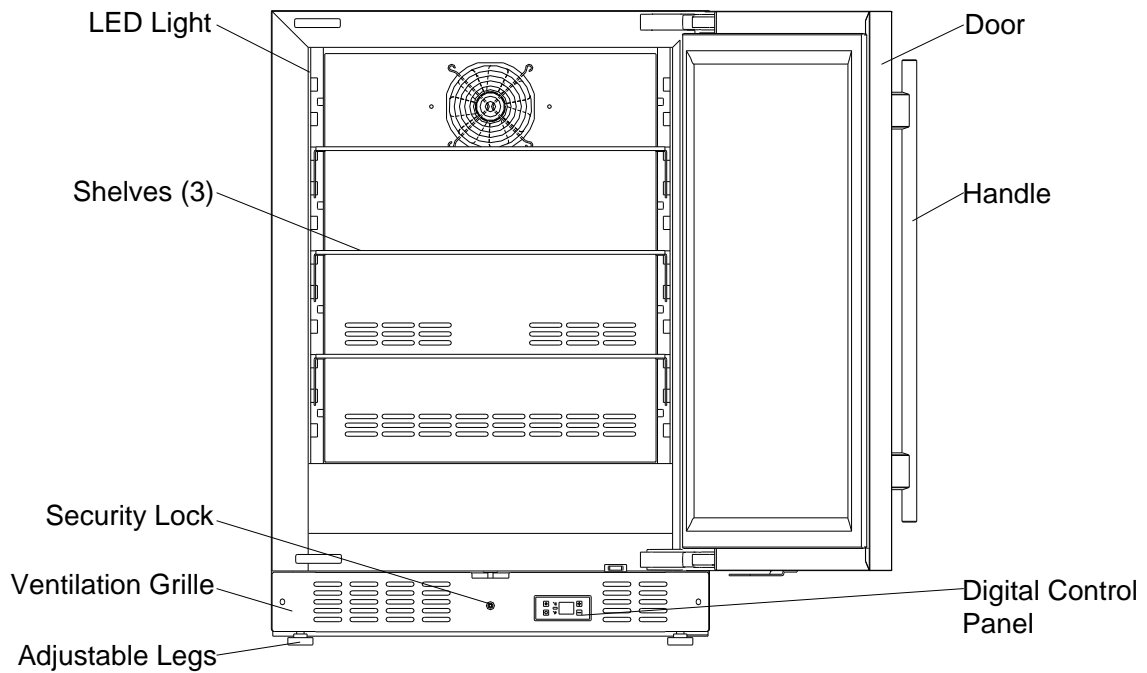
MODEL SCFF53BSS – FROST-FREE FREEZER



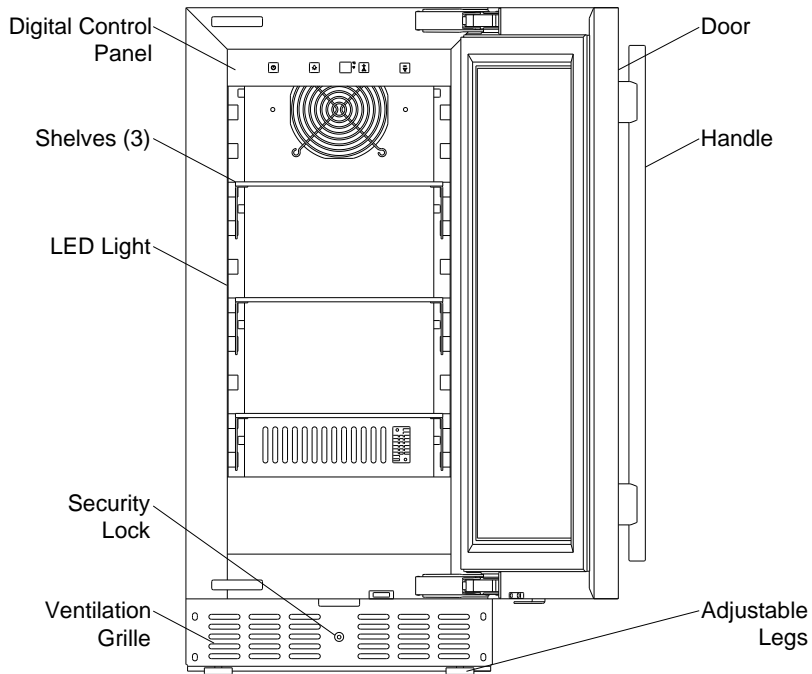
MODEL AL54IF – FROST-FREE REFRIGERATOR



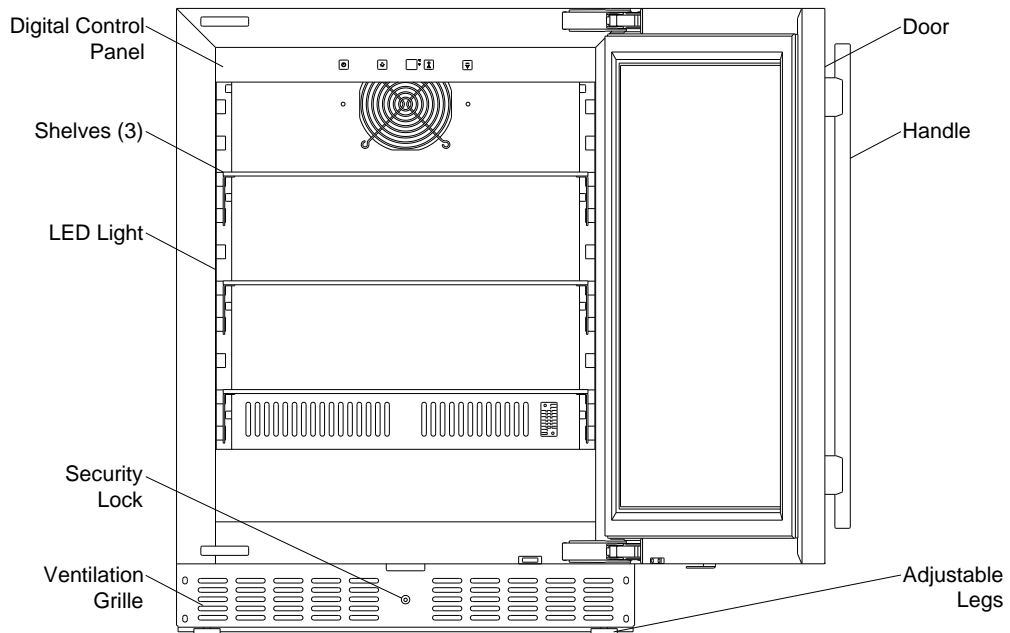
MODEL SCR610BLSLSD – FROST-FREE REFRIGERATOR



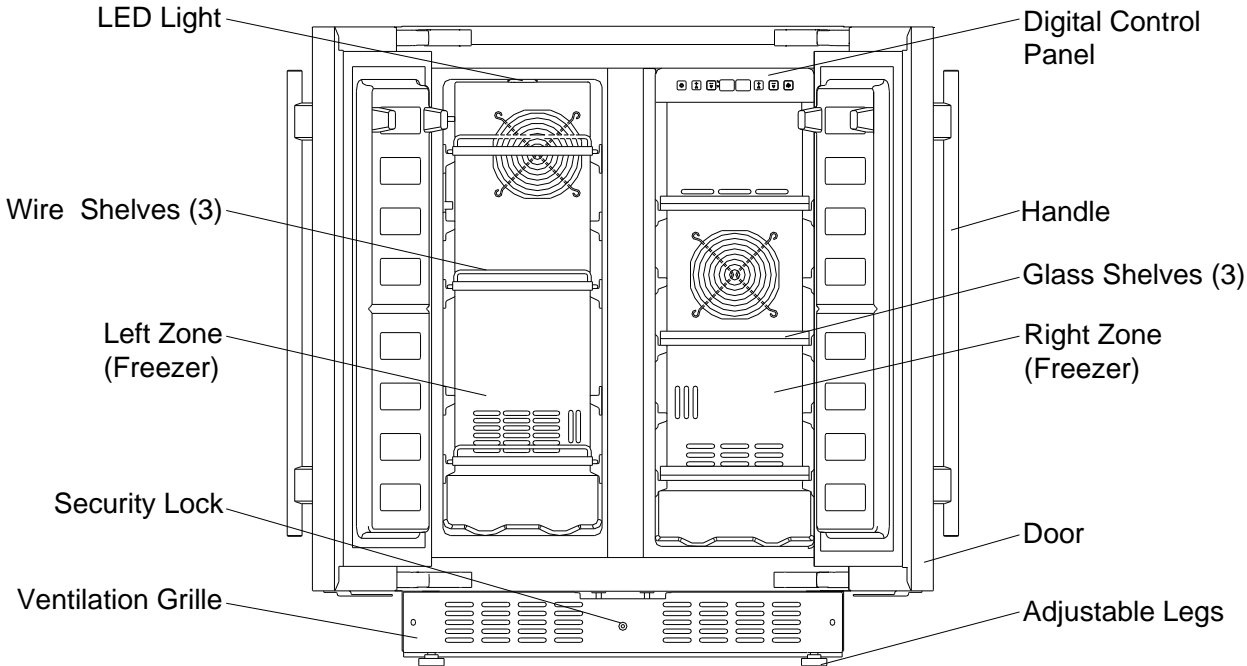
MODEL ASDS1523 - FROST-FREE REFRIGERATOR



MODEL ASDS2413 - FROST-FREE REFRIGERATOR
MODEL SPR618OSADA - OUTDOOR FROST-FREE REFRIGERATOR



MODEL FFRF24SS – FROST-FREE REFRIGERATOR/FREEZER



INSTALLATION INSTRUCTIONS

Before Using your Appliance

- Remove the exterior and interior packing.

CAUTION: After unpacking you MUST allow this appliance to stand upright for at least 2 hours to allow the lubricant and refrigerant to drain back into the compressor and stabilize. Failure to do so may adversely affect performance and the lifetime of this unit.

- Clean the interior surface with lukewarm water using a soft cloth.
- Install the handle on the door. (See Installing the Stainless Steel Handle.)

Installation of your Appliance

CAUTION: This appliance is designed for storing and cooling fresh food, beverages, and drinks. Do not store perishable food, medicine, or other medical products.

- The appliance is designed for built-in, recessed, or free-standing installation for indoor use only for models ASDS1523, ASDS2413, FF1532BSS, SCFF1533BSS, AL54IF, FF64BSS, SCFF53BSS, SCR610BLSD, and FFRF24SS. And for indoor or outdoor use for SPR618OSADA only.

NOTE: Do not store or install the appliance outdoors for models with indoor use only.

- Place your appliance on a floor that is strong enough to support it when it is fully loaded. To level the unit, adjust the front leveling legs.
- For freestanding installation, leaving 5" (127mm) of space at the back and sides of the unit and 4" (102mm) at the top is suggested, which allows the proper air circulation to cool the compressor and condenser to save energy. For built-in installation, it is better to leave at least ¼" (5mm) of space on each side, 2" (50mm) at the back, and ⅛" (3mm) at the top to ensure proper service access and ventilation. And the air vent at the front of the appliance must never be covered or blocked in any way.

CAUTION: Make sure that the socket and ON/OFF switch are easily accessible after the appliance has been installed.

- Avoid locating the unit in moist areas.
- Plug the appliance into an exclusive, properly grounded wall outlet. Do not under any circumstances cut or remove the third (ground) prong from the power cord. Any questions concerning power and/or grounding should be directed toward a certified electrician or an authorized service center.

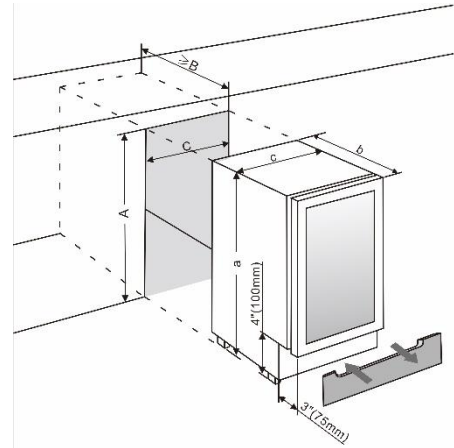
NOTE: It is recommended that you do not install the appliance near an oven, radiator, or other heating sources. Direct sunlight may affect the acrylic coating and heat sources may increase electrical consumption. Do not install in a location where the temperature will fall below 60°F (16°C). For best performance, do not install the appliance behind a cabinet door or block the base grille.

Built-in Under-counter Instructions

Make sure your installation does not block the front ventilation grille. The unit is designed to fit under worktops.

If the fully integrated unit is to be installed to fit the kitchen plinth, make sure that the ventilation gaps in the plinth are at least 46in² (300cm²) and remove the ventilation grilles, so that warm air can disperse unhindered. Otherwise, the appliance has to work harder, resulting in an increase in electricity consumption.

NOTE: When pushing the appliance into the niche, make sure that the main cable does not get trapped.



Model No.	a (Inch/mm)	b (Inch/mm)	c (Inch/mm)	A (Inch/mm)	B (Inch/mm)	C (Inch/mm)
FF1532BSS	34" / 864	22 ³ / ₄ " / 575	14 ⁷ / ₈ " / 377	34 ¹ / ₈ " / 866	22 ³ / ₄ " / 575	15" / 381
FF64BSS	34" / 864	23 ¹ / ₂ " / 596	23 ¹ / ₂ " / 596	34 ¹ / ₈ " / 866	22 ⁷ / ₈ " / 580	23 ⁵ / ₈ " / 600
AL541F	32" / 813	22 ³ / ₄ " / 575	23 ¹ / ₂ " / 596	32 ¹ / ₈ " / 816	22 ³ / ₄ " / 575	23 ⁵ / ₈ " / 600
ASDS1523	32" / 813	18" / 455	14 ⁷ / ₈ " / 377	32 ¹ / ₈ " / 816	18" / 455	15" / 381
ASDS2413	32" / 813	18" / 455	23 ¹ / ₂ " / 596	32 ¹ / ₈ " / 816	18" / 455	23 ⁵ / ₈ " / 600

NOTE:

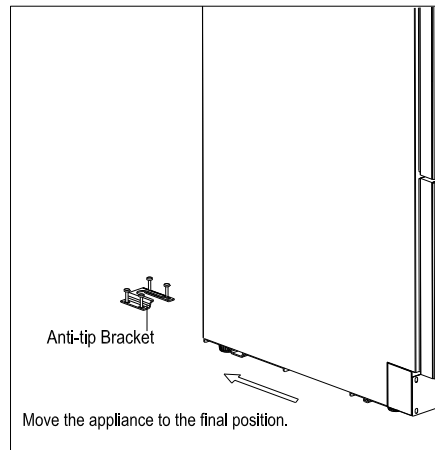
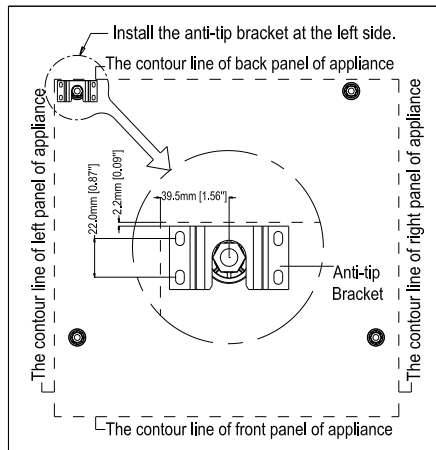
1. Model SCFF1533BSS is the same size as FF1532BSS.
2. Models SCR610BLSD, FFRF24SS and SCFF53BSS are the same size as FF64BSS.
3. Model SPR618OSADA is the same size as ASDS2413.

Anti-tip Bracket Installation

To reduce the risk of tipping the unit by abnormal usage or improper loading, the appliance must be secured by properly installing the anti-tip device packed with the appliance.

1. Place the anti-tip bracket on the floor as shown in the figure. An anti-tip bracket must be installed on the left side.
2. Mark the locations of the 4 holes of the anti-tip bracket on the floor.
3. Use a 5/16" masonry drill bit and insert plastic anchors.
4. Secure the bracket onto the floor using screws.
5. Slide the appliance into position and make sure the leg engages the anti-tip bracket.

NOTE: If the unit is relocated, the bracket must be removed and reinstalled in the new location.



Electrical Connection



WARNING

Improper use of the grounded plug can result in the risk of electrical shock. If the power cord is damaged, have it replaced by a qualified electrician or an authorized service center.

This appliance should be properly grounded for your safety. The power cord of this appliance is equipped with a three-prong plug which mates with standard three-prong wall outlets to minimize the possibility of electrical shock.

Do not under any circumstances cut or remove the third (grounded) prong from the power cord supplied. For personal safety, this appliance must be properly grounded. Any questions concerning power and/or grounding should be directed toward a certified electrician or an authorized service center.

This appliance requires a standard 115/120 Volt AC ~ 60Hz three-prong grounded electrical outlet. Have the wall outlet and circuit checked by a qualified electrician to make sure the outlet is properly grounded. When a standard 2-prong wall outlet is encountered, it is your responsibility and obligation to have it replaced with a properly grounded 3-prong wall outlet.

To prevent accidental injury, the cord should be secured behind the appliance and not left exposed or dangling.

The appliance should always be plugged into its own individual electrical outlet which has a voltage rating that matches the rating label on the appliance. This provides the best performance and also prevents overloading house wiring circuits that could cause a fire hazard from overheating. Never unplug the appliance by pulling on the power cord. Always grip the plug firmly and pull it straight out from the receptacle. Repair or replace immediately all power cords that have become frayed or otherwise damaged. Do not use a cord that shows cracks or abrasion damage along its length or at either end. When moving the appliance, be careful not to damage the power cord.

Extension Cord

Because of potential safety hazards under certain conditions, it is strongly recommended that you do not use an extension cord with this appliance. However, if you must use an extension cord, it is absolutely necessary that it be a UL/CUL-Listed, 3-wire grounding type appliance extension cord having a grounding type plug and outlet and that the electrical rating of the cord is 115 volts and at least 10 amperes.

Reversing the Door Swing of your Appliance

This unit has the capability of the door opening from either the left or right side. The unit is delivered to you with the door opening from the left side. Should you desire to reverse the opening direction, please follow the reversal instructions shown below.

NOTE: All parts removed must be saved to allow the door swing to be reversed.

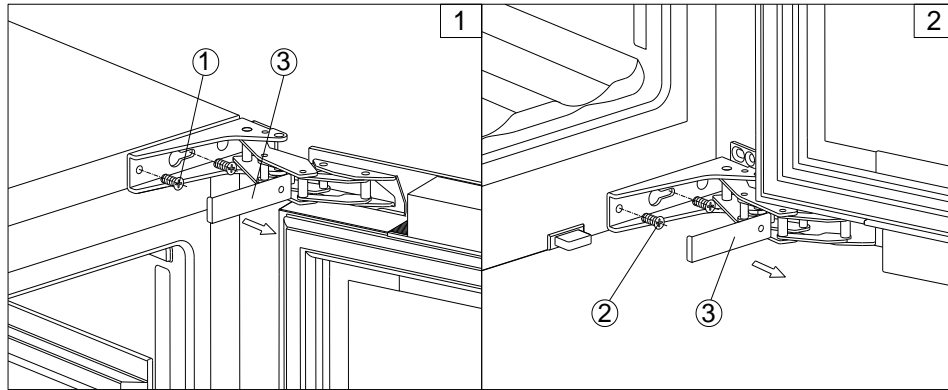
NOTE: Some variations of these items may only be reversible in Summit facilities before being shipped. Consult our website for more information.



WARNING

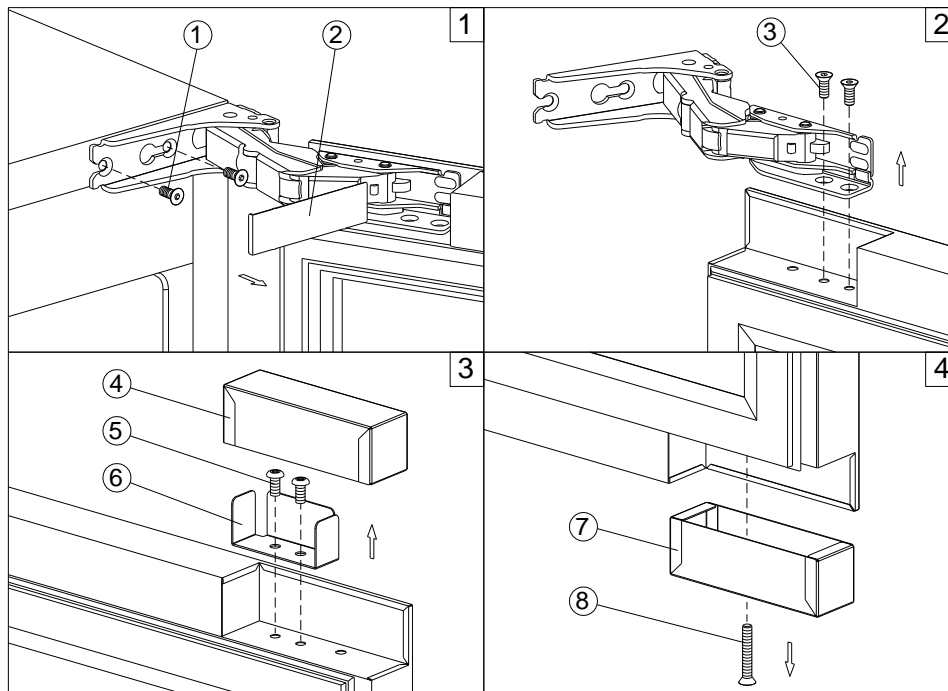
Use extreme caution with the articulated hinges. The hinge is self-closing, and many pinch points exist prior to built-in installation.

Models SCFF1533BSS / SCFF53BSS / SPR618OSADA / ASDS1523 / ASDS2413 / SCR610BLSD



1. Remove the cover caps (3) and then remove the door by unscrewing the four screws (1) and (2). Be careful to hold the door firmly after removing the screws and place it on a padded surface to avoid the risk of damage.
2. Pop out the cover caps on the left side of the cabinet and use them to cover the screw holes on the right-hand side.
3. Unscrew and transfer the holes cover and lock catch to the opposite side of the door.
4. Rotate the door 180° and refit the door to the opposite side. Then screw and tighten it after the door is leveled.

Models FF1532BSS / FF64BSS / AL54IF



1. Remove the cover caps (2) and then remove the door by unscrewing the four screws (1). Be careful

to hold the door firmly after removing the screws and place it on a padded surface to avoid the risk of damage. Leave the hinges open. (Figure 1)

2. Unscrew the four screws (3) to remove the top and bottom articulated hinges. (Figure 2)
3. Pop out the cover caps on the left side of the cabinet and use them to cover the screw holes on the right-hand side.
4. Pull the top decoration cover (4) upward and remove it. Unscrew the two screws (5) and transfer the retaining bracket (6) to the opposite side of the door. Refit the top decoration cover (4). (Figure 3)
5. Unscrew the screw (8) and transfer the bottom decoration cover (7) to the opposite side of the door. (Figure 4)
6. Refit the articulated hinges to the opposite side of the door by using the four screws (3). (Repeat step 2 in reverse.)
7. Refit the door to the opposite side. Then screw and tighten it after the door is leveled. (Repeat step 1 in reverse.)

Adjusting the Height of the Unit

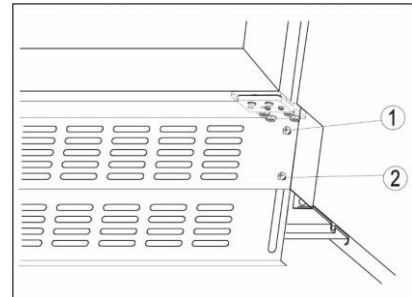
The height of the ADA refrigerators can be increased by up to 3" by turning the adjustable legs. Once the desired height has been achieved, the gap between the kick-plate and the floor can be covered by lowering a hidden section of the kick-plate. See the next section for instructions.

Adjusting the Kick Plate

(Only for Models AL54IF / ASDS1523 / ASDS2413 / SPR618OSADA)

The pre-fitted kick-plate of the appliance includes an adjustable kick-plate section that is initially seated behind the upper section. In order to adjust the kick-plate height, follow the instructions below:

1. Remove the screws (1) from both the top left- and top right-hand sides of the kick-plate.
2. Loosen or remove the screws (2) from both the bottom left and bottom right-hand sides of the kick-plate. Failure to loosen the bottom screws sufficiently may cause damage to the lower trim when adjusting it.
3. Carefully guide the lower trim down until the desired height is achieved.
4. Reinsert screws and tighten them.

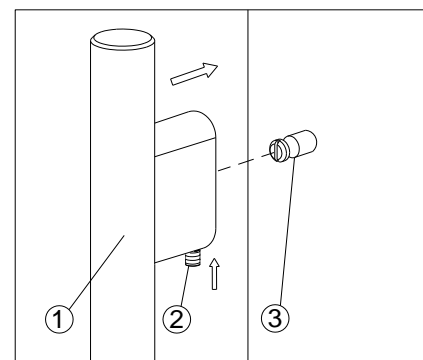


Installing a Stainless Steel Handle

(Only for Models ASDS1523 / ASDS2413 / SPR618OSADA / SCR610BLSD / FFRF24SS)

This appliance includes a stainless steel handle that is not required to operate the unit. To install the handle, follow the instructions below:

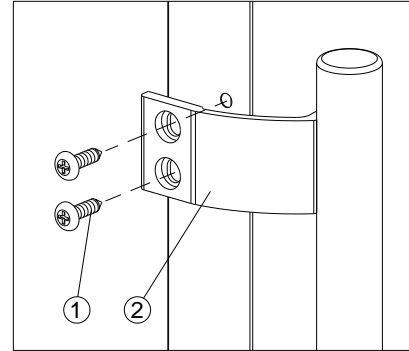
Place the handle (1) over the mounting stub (3) of the door and using the supplied Allen key, tighten the securing grub screws (2) to affix the handle.



(Only for Models FF1532BSS, SCFF1533BSS, AL54IF, FF64BSS and SCFF53BSS)

This appliance includes a stainless steel handle that is not required to operate the unit. To install the handle, follow the instructions below:

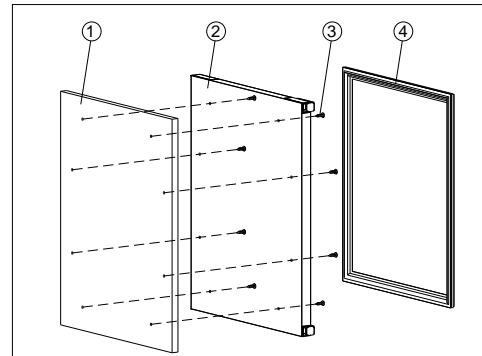
1. Use a screwdriver to remove the screws on the side of the door where the handle is to be installed.
2. Align the handle with the screws removed in step # 1. Tighten the screws using a Phillips head screwdriver until the handle is both flush and secured tightly against the door side. (DO NOT over-tighten as this will cause damage to the stainless steel door surface.)



Full Overlay Panel Installation Instructions

Most of these models are designed for field-installed overlay panels. The overlay panels cover the stainless steel to give the unit a built-in appearance. The overlay panel and appropriate hardware are not included with the unit and the end user needs to prepare them themselves. Please follow the instructions below for installation:

1. Peel off the gasket (4) and remove the handle by removing the four screws that attach the handle to the door.
2. Drill the 8 holes shown by using a 3/16" drill bit inside the door groove on the four sides of the door front (2).
3. Cut the overlay panel (1) with a thickness of 3/4" to the dimensions corresponding to your model. *
4. Attach the handle to the overlay panel by using the flat head screws and drive the screws flush with the panel.
5. Then attach the overlay panel to the door face using the 8 wood screws #10x2 (ST4x50) (3) and through the 8 existing holes inside the door groove.
6. Reinstall the gasket.



*Suggested Panel Sizes:

FF1532BSS / SCFF1533BSS: 14³/₄" W x 30" H
FF64BSS / SCFF53BSS / SCR610BLSD: 23.4" W x 30" H
ASDS1523: 14³/₄" W x 28³/₈" H
SPR618OSADA / ASDS2413 / AL54IF: 23.4" W x 28³/₈" H


OPERATING YOUR APPLIANCE


It is recommended you install the appliance in a place where the ambient temperature is between 44°F and 90°F (7°C to 32°C). If the ambient temperature is above or below the recommended temperatures, the performance of the unit may be affected. For example, placing your unit in extremely cold or hot conditions may cause interior temperatures to fluctuate. The optimal temperature range may not be reached.

Control Panel for Refrigerators




ON/OFF Power

To turn the appliance OFF, press the  symbol and hold for 5 seconds.

To turn the appliance ON, press the  symbol and hold for 1 second.

NOTE: Pressing the POWER key once can switch off the audible alarm when the alarm is on.

LIGHT

To turn the interior light on/off, press and hold the  key for 5 seconds. The interior light indicator will light up or go out to confirm the selection. The interior light indicator is the dot at the bottom right of the display.

UP

Used to increase (warm) the set temperature by 1°F/1°C.

DOWN

Used to decrease (cool) the set temperature by 1°F/1°C.

Setting the Temperature Control

- You can set the temperature by touching the **UP** and **DOWN** symbols. When you push either of the two buttons for the first time, the LED readout will show the original temperature set previously. (The temperature preset at the factory is 38°F or 3°C.)
- The temperature you are setting will increase by one degree each time you touch the **UP** symbol and will decrease by one degree each time you touch the **DOWN** symbol.
- The range of the temperature control is from 36°F to 43°F.
- To view the set temperature at any time, touch the **UP** or **DOWN** symbol. The set temperature will flash in the display window for 5 seconds. After 5 seconds, the temperature inside the unit will reappear in the display window.

Interior Light

- The interior light makes it easy to view your items. Pressing and holding the **LIGHT** symbol for 5 seconds toggles between 2 modes of operation for the internal lights: functional (default) mode and showcase mode. If you are in functional (default) mode, the lights will turn on only when the door is open. If you are in showcase mode, the lights will be on whether or not the door is open.

Settings Mode

Certain settings on the refrigerators can only be selected in settings mode.

Touch and hold the **UP** key for 5 seconds to enter and leave Settings mode. The appliance will leave Settings mode automatically after approximately one minute.

°F/°C Selection

1. Lightly touch and hold the **UP** key for 5 seconds to enter Settings mode.
2. Use **the UP** and **DOWN** keys to select the temperature display setting in Fahrenheit or Celsius degree.
3. Touch and hold the **UP** key for 5 seconds to confirm the selection.

Display Brightness

1. Lightly touch and hold the **UP** key for 5 seconds to enter Settings mode and then touch the **POWER** key once.
2. Use **the UP** and **DOWN** keys to select the brightness of the display when the door is close. When the door is open, the display brightness returns to its normal level.
 - d0: off
 - d1: dimmest setting (default)
 - d2: medium setting
 - d3: brightest setting
3. Touch and hold the **UP** key for 5 seconds to confirm the selection.

Interior Lighting Brightness

1. Lightly touch and hold the **UP** key for 5 seconds to enter Settings mode and then touch the **POWER** key twice.
2. Use **the UP** and **DOWN** keys to select the brightness of the interior lighting when the door is close. When the door is open, the interior lighting returns to its normal level.
 - L0: off when the door is close or open
 - L1: dimmest setting
 - L2: medium setting
 - L3: brightest setting (default)
3. Touch and hold the **UP** key for 5 seconds to confirm the selection.

Fan Mode

1. Lightly touch and hold the **UP** key for 5 seconds to enter Settings mode and then touch the **POWER** key three (3) times.
2. Use **the UP** and **DOWN** keys to select the fan mode.
 - F0: Silent mode - Energy saving mode (default)
 - F1: DynaClima mode - half time
 - F2: DynaClima mode - full time
3. Touch and hold the **UP** key for 5 seconds to confirm the selection.

Audible Tones

1. Lightly touch and hold the **UP** key for 5 seconds to enter Settings mode and then touch the **POWER** key four (4) times.
2. Use **the UP** and **DOWN** keys to select the audible tones.
 - S0: sensor tone ON, alarm tone OFF
 - S1: sensor tone ON, alarm tone ON (default)
 - S2: sensor tone OFF, alarm tone OFF
 - S3: sensor tone OFF, alarm tone ON
3. Touch and hold the **UP** key for 5 seconds to confirm the selection.

Control Panel only for Model SCR610BLSD



ON/OFF Power ⏻

To turn the appliance off, press and hold the ⏻ key for 5 seconds until the temperature display goes off. To turn the appliance on, press and hold the ⏻ key for 1 second until the temperature display lights up.

NOTE: Pressing the **POWER** key once can switch off the audible alarm when the alarm is on.

UP +

Used to increase (warm) the set temperature by 1°F/1°C.

To switch on the Silent mode, press and hold the **UP** key for 5 seconds. Three beeps will confirm the selection.

DOWN -

Used to decrease (cool) the set temperature by 1°F/1°C.

To switch on the Dynamic Cooling mode, press and hold the **DOWN** key for about 5 seconds. Five beeps will confirm the selection.

Light 💡

The interior light makes it easy to view your items. Pressing the **LIGHT** symbol toggles between 2 modes of operation for the internal lights: functional (default) mode and showcase mode. If you are in functional (default) mode, the lights will turn on only when the door is open. If you are in showcase mode, the lights will be on whether or not the door is open.

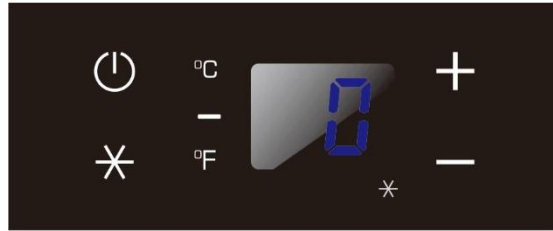
°F/°C Selector

Select the temperature display in Fahrenheit or Celsius degrees. To change the temperature from Fahrenheit to Celsius or from Celsius to Fahrenheit, press and hold the **LIGHT** key for 5 seconds.

Setting the Temperature Control

- You can set the temperature by pressing the **UP** and **DOWN** symbols. When you press either of the two buttons for the first time, the LED readout will show the original temperature set previously. (The temperature preset at the factory is 38°F, or 3°C).
- The temperature you are setting will increase by one degree each time you press the **UP** symbol and will decrease by one degree each time you press the **DOWN** symbol.
- The range of the temperature control is from 36°F to 43°F.
- To view the set temperature at any time, press the **UP** or **DOWN** symbol. The set temperature will flash in the display window for 5 seconds. After 5 seconds, the temperature inside the unit will reappear in the display window.

Control Panel for Freezers



ON/OFF Power ⏻

To turn the appliance ON or OFF, press and hold the POWER key ⏻ for 5 seconds.

NOTE: Pressing the POWER key once can switch off the audible alarm when the alarm is on.

SuperFreeze *

SuperFreeze is used to freeze fresh food quickly. The function overrides the thermostat control and will make the compressor operate continuously. It is not necessary to adjust the thermostat setting when using this function. When the function is selected, the SuperFreeze indicator (dot at the bottom right of the display) will be ON. The function can be canceled by pressing the key again and the indicator will turn OFF. SuperFreeze will turn off automatically after 8 hours.

UP +

Used to increase (warm) the set temperature by 1°F/1°C.

DOWN -

Used to decrease (cool) the set temperature by 1°F/1°C.

°F/°C Selector

Select the temperature display setting in Fahrenheit or Celsius degree. To change the temperature from Fahrenheit to Celsius or from Celsius to Fahrenheit, press and hold the **SUPERFREEZE** key for 5 seconds.

Setting the Temperature Control

- You can set the temperature by pressing the **UP** and **DOWN** keys. When you press either of the two keys for the first time, the LED readout will show the original temperature set previously. (The temperature preset at the factory is 0°F or -18°C.)
- The temperature you are setting will increase by one degree each time you press the **UP** key and will decrease by one degree each time you press the **DOWN** key.
- The range of the temperature control is from -11°F to 11°F.
- To view the set temperature at any time, press the **UP** or **DOWN** key. The set temperature will flash in the display window for 5 seconds. After 5 seconds, the temperature inside the unit will reappear in the display window.

Interior Light


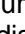
The unit is equipped with interior LED lights which will be turned ON when a door is opened. LED-type lights are designed for extremely long life. They are not user serviceable. To change them please contact the service department.

NOTE: Please use only the original LED light fittings provided by the manufacturer.

Control Panel for the FFRF24SS Model



ON/OFF Power

To turn the appliance off, press and hold the  key for 5 seconds until the temperature display goes off. To turn the appliance on, press and hold the  key for 1 second until the temperature display lights up.

NOTE: Pressing the **POWER** key once can switch off the audible alarm when the alarm is on.

UP



Used to increase (warm) the set temperature by 1°F/1°C.

DOWN

Used to decrease (cool) the set temperature by 1°F/1°C.

Display

Display the digital temperature and service indicators.

 is for the LEFT temperature zone and  is for the RIGHT temperature zone.

Indicator Light

The indicator light is the dot located at the bottom right corner of the display. The indicator light will be on when a multi-key function is selected. To perform a multi-key function, press and hold the first key, then press the second key for at least 5 seconds and then release both keys.

°F/°C Selector

Select the temperature display setting in Fahrenheit or Celsius degree.

Setting the Temperature Control

- This model has two separate temperature compartments. You can set the temperature of the right compartment (refrigerator) by touching the right **UP** and **DOWN** symbols and set the temperature of the left compartment (freezer) by touching the left **UP** and **DOWN** symbols. When you touch either key for the first time, the LED readout will show the original temperature set previously. (The temperature preset at the factory is 38°F/3°C for the refrigerator compartment and 0°F/-18°C for the freezer compartment.)
- The temperature you are setting will increase by one degree each time you touch the **UP** symbol and will decrease by one degree each time you touch the **DOWN** symbol.
- The range of the temperature control is from 36°F/2°C to 43°F/6°C for refrigerator compartment and from -11°F/-24°C to 11°F/-12°C for freezer compartment.
- To view the set temperature at any time, touch the **UP** or **DOWN** symbol. The set temperature will temporarily flash in the display window for 5 seconds. Then the display shows the current inner temperature again.

Interior Light

The unit is equipped with interior LED lights which will be turned ON when a door is opened. LED-type lights are designed for extremely long life. They are not user serviceable. To change them please contact the service department.

NOTE: Please use only the original LED light fittings provided by the manufacturer.

NOTES:

- If the unit is unplugged or power is lost or turned off, you must wait 3 to 5 minutes before restarting the unit. If you attempt to restart before this time delay, the unit will not start.
- When you use the unit for the first time or restart the unit after it has been shut off for a long time, there could be a few degrees variance between the temperature you select and the one indicated on the LED readout. This is normal and is due to the length of the activation time. There should not be a problem once the unit has been running for a few hours.

SABBATH Mode

Sabbath mode is available for the observance of certain religious holidays. This mode turns off the displays, interior light, and audible alarms and prevents them from turning on again. Normal cooling operations will still take place.

To initiate Sabbath mode, press the **POWER** and **LIGHT** keys, press the **POWER** and **SUPERFREEZE** keys or press the **POWER** and **°C/F** keys at the same time for at least 5 seconds. The temperature display will go out to confirm that the Sabbath mode is ON.

Sabbath mode can be canceled by repeating the above process. The Sabbath Mode will automatically turn off after 96 hours.

Temperature Memory Function

In the event of a power interruption (power surge, breaker switch, etc.), the unit can remember the previous temperature settings, and when the power is recovered, the cabinet temperature will return to the same setting temperature as before the power went off.

Defrosting

- The unit defrosts automatically in normal operating conditions.
- The evaporator behind the rear wall of the unit defrosts automatically. The condensate collects in the drainage channel behind the rear wall of the unit and flows through the drainage hole into the drip tray by/above the compressor where it evaporates.
- However, frost may accumulate on the evaporator if the unit is repeatedly opened in a high heat or high humidity location. If this frost pattern does not clear within 24 hours, your unit will require manual defrosting.

Using the Freezer

- These freezers are designed for the long-term storage of frozen food. Storage time is up to three months.
- The storage life of frozen foods varies and the recommended storage time should not be exceeded.
- Pre-packaged commercially frozen food should be stored in accordance with the frozen foods manufacturer's instructions for a three-star frozen food storage compartment or home freezer.

- Place frozen food into the freezer as quickly as possible after purchase. If there are instructions on the packet, carefully follow these instructions regarding storage times.

Temperature Alarm / Door Alarm

- An audible alarm sounds if the storage temperature is not cold enough. The temperature display flashes at the same time.
- The cause of the temperature being too high may be:
 - Warm fresh food was placed inside
 - Too much warm ambient air flowed in when rearranging and removing food
 - Power failure for some time
 - The appliance is faulty
- The audible alarm is automatically silenced, and the temperature display stops flashing when the temperature is sufficiently cold again.
- If the door has been left open for more than 60 seconds, the alarm will sound. Pressing the POWER key once can switch off the audible alarm.

Door Lock

Your unit is provided with a lock and key combination.

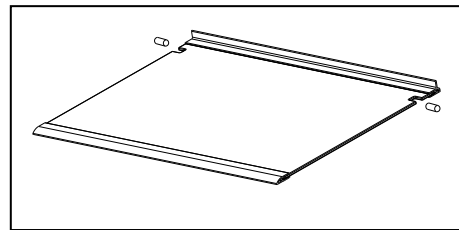
The keys are located inside the plastic bag that contains the *Instruction Manual*. Insert the key into the lock and turn it counterclockwise to unlock the door. To lock the door, do the reverse operation, making sure the metal pin is engaged completely. Remove the key and put it in a secure place for safekeeping.

Shelves

(Only for Models FF1532BSS / SCFF1533BSS / AL541F / FF64BSS / SCFF53BSS / FFRF24SS.)

To prevent damaging the door gasket, make sure to have the door all the way open when pulling the shelves out of the rail compartment.

- Any of the shelves can be removed to store larger items.
- When removing the shelf from the rail compartment, make sure to remove all items first. Then move the shelf to the position where the notch of the shelf is exactly under the plastic post and lift the shelf. In order to replace the shelf, repeat the steps described above in reverse.



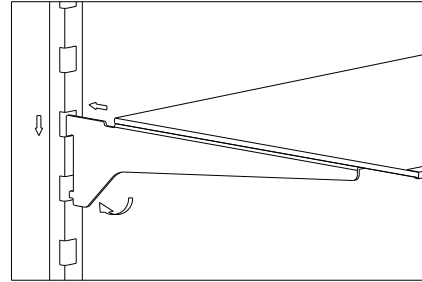
CAUTION: When removing or replacing the shelf, use caution not to scratch the sides of the unit.

Glass Shelves

(Only for Models ASDS1523 / ASDS2413 / SPR618OSADA / SCR610BLSD.)

Any of the shelves can be removed to store larger items.

- When removing the shelf, make sure to have the door all the way open and remove all items first. Hold the front of the shelf, and then gently lift up and slide out.
- In order to replace the shelf, hold the shelf at an angle so the front is higher than the back, and then insert the top hook into the top shelf notch. Then, lower the shelf and insert the bottom shelf hook into the bottom shelf notch.



CAUTION: When removing or replacing the shelf, use caution not to scratch the sides of the unit.

CARE AND MAINTENANCE

Cleaning your Appliance

- Turn off the power, unplug the appliance, and remove all items, including shelves.
- Wash the inside surfaces with a solution of warm water and baking soda (about 2 tablespoons of baking soda to a quart of water).
- Wash the shelves with a mild detergent solution.
- Wring excess water out of the sponge or cloth when cleaning the area where the controls are located, or any electrical parts.
- Wash the outside cabinet with warm water and mild liquid detergent. Rinse well and wipe dry with a clean soft cloth.
- Use an approved stainless steel cleaner to clean the doors and handles. Do not use steel wool or a steel brush on the stainless steel.

CAUTION: Failure to unplug the appliance during cleaning could result in electrical shock or other personal injuries.

Power Failure

Most power failures are corrected within a few hours and should not affect the temperature of your appliance if you minimize the number of times the doors are opened. If the power is going to be off for a longer period of time, you need to take the proper steps to protect the contents.

Vacation Time

- **Short vacations:** Leave the appliance operating during vacations of less than three weeks.
- **Long vacations:** If the appliance will not be used for several months, remove all items and turn off the appliance. Clean and dry the interior thoroughly. To prevent odor and mold growth, leave the doors open slightly, blocking them open if necessary.

Moving your Appliance

1. Remove all items.
2. Securely tape down all loose items (shelves) inside the appliance.
3. Turn the adjustable legs up to the base to avoid damage.
4. Tape the doors shut.
5. Be sure the appliance stays secure in the upright position during transportation. Also, protect the outside of the appliance with a blanket or similar item.

Energy-Saving Tips

- The appliance should be located in the coolest area of the room or outdoor location, away from heat-producing appliances and out of direct sunlight.
- Ensure that the unit is adequately ventilated. Never cover air vents.
- Do not keep the doors open any longer than necessary.
- Let hot foods cool to room temperature before placing in the unit. Overloading the unit forces the compressor to run longer.
- Be sure to wrap foods properly, and wipe containers dry before placing them in the unit. This cuts down on frost build-up inside the unit.
- Unit shelves and storage bins should not be lined with aluminum foil, wax paper, or paper toweling. Liners interfere with cold air circulation, making the unit less efficient.
- Organize and label food to reduce door openings and extended searches. Remove as many items as needed at one time and close the door as soon as possible.

TROUBLESHOOTING

You can solve many common problems easily, saving you the cost of a possible service call. Try the suggestions below to see if you can solve the problem before calling the servicer.

PROBLEM	POSSIBLE CAUSE	REMEDY
<i>Appliance does not operate.</i>	<i>Appliance is not connected to a power supply. The appliance is turned off. Tripped circuit breaker or a blown fuse.</i>	<i>Connect the appliance. Switch on the appliance. Switch on circuit breaker or replace fuse.</i>
<i>Appliance is not cold enough.</i>	<i>The temperature is not set correctly. The ambient temperature could require a lower temperature setting. The doors were opened too often. A door was not closed completely. Doors are not hermetically sealed. The condenser is too dirty. The ventilation opening is blocked or too dusty.</i>	<i>Check the set temperature. Set a lower temperature. Do not open the doors more often than necessary. Close door properly. Check the door seal and clean or replace. Clean the condenser when necessary. Clear the obstructions and clean the dust.</i>
<i>Appliance turns itself on and off frequently.</i>	<i>The room temperature is higher than average. A large amount of food has been added to the unit. The doors are opened too often. A door is not closed completely. A door gasket is not sealing properly.</i>	<i>Put the appliance in a cooler place. Leave the appliance to work for a while until the set temperature has been reached. Do not open the doors more often than necessary. Close door properly. Check the door seal and clean or replace.</i>
<i>The light does not work.</i>	<i>Appliance is not connected to a power supply. Tripped circuit breaker or a blown fuse. The light was switched off on the control panel.</i>	<i>Connect the appliance. Switch on circuit breaker or replace fuse. Switch on the light.</i>
<i>Vibrations</i>	<i>The appliance is not properly leveled.</i>	<i>Level the appliance with the adjustable feet.</i>
<i>The appliance seems to make too much noise.</i>	<i>A rattling noise may come from the flow of the refrigerant, which is normal. As each cycle ends, you may hear gurgling sounds caused by the flow of refrigerant in your appliance. If temperature fluctuations occur, the contraction and expansion of the inner walls may cause popping and crackling noises.</i>	
	<i>The appliance is not properly level.</i>	<i>Level the appliance with the adjustable feet.</i>
<i>The doors will not close properly.</i>	<i>The appliance is not properly level. The gaskets are dirty. The shelves are out of position.</i>	<i>Level the appliance with the adjustable feet. Clean the door gaskets. Check the shelves and refit correctly.</i>
<i>Display "E0", "E1", "E2",</i>	<i>"E0" indicates a communication error for 3-zone models.</i>	<i>Call for service.</i>

<p><i>"E3", "E4", "E5" or "E7".</i></p>	<p><i>"E1" or "E2" indicates that the air temperature sensor has failed. "E3" or "E4" indicates that the defrost sensor in the evaporator has failed. "E5" indicates a defrost heater failure. "E7" indicates a door switch failure.</i></p>	
<p><i>The alarm sounds and the temperature display flashes.</i></p>	<p><i>Has an appliance door been open for longer than 60 seconds? If not, then the temperature has risen higher or fallen lower than the temperature that has been set. This could be due to: The appliance door being opened too often. The ventilation opening being covered or too dusty. A lengthy interruption in the power supply. A large amount of food has been added to the unit.</i></p>	<p><i>If yes, close the door.</i></p> <p><i>Do not open the door more often than necessary. Clear the obstructions and wipe off the dust. Leave the appliance to work for a while until the set temperature has been reached.</i></p>
<p><i>The icon "--" is lit and flashing in the temperature display.</i></p>	<p><i>The display temperature is out of range.</i></p>	<p><i>Only temperatures within the range -49~99°F/-45~37°C can be displayed. If the temperature is not within this range, the icon "--" will be displayed instead. This is normal.</i></p>

If you've checked the table above and find that you still need help with your appliance, call our Customer Service facility at **800-932-4267** between 9:00AM and 5:00PM ET or visit <https://www.summitappliance.com/support>.. We will do our best to answer your questions.

CALIFORNIA CARB/SNAP DISCLOSURE

This product uses eco-friendly hydrocarbon refrigerant and fully complies with California CARB regulations.

However, we are required by California Law to provide the following disclosure statement in every product sold in California.

"This equipment is prohibited from use in California with any refrigerants on the 'List of Prohibited Substances' for that specific end-use, in accordance with California Code of Regulations, title 17, section 95374. This disclosure statement has been reviewed and approved by Felix Storch, Inc. and Felix Storch, Inc. attests, under penalty of perjury, that these statements are true and accurate."

This product does **not** use any refrigerants on the 'List of Prohibited Substances'"

NOTES

LIMITED WARRANTY

ONE-YEAR LIMITED WARRANTY

Within the 48 contiguous United States, for one year from the date of purchase, when this appliance is operated and maintained according to instructions attached to or furnished with the product, warrantor will pay for factory-specified parts and repair labor to correct defects in materials or workmanship. Service must be provided by a designated service company. Outside the 48 states, all parts are warranted for one year from manufacturing defects. Plastic parts, shelves and cabinets are warranted to be manufactured to commercially acceptable standards, and are not covered from damage during handling or breakage.

5-YEAR COMPRESSOR WARRANTY

1. The compressor is covered for 5 years.
2. Replacement does not include labor.

ITEMS WARRANTOR WILL NOT PAY FOR:

1. Service calls to correct the installation of your appliance, to instruct you how to use your appliance, to replace or repair fuses or to correct wiring or plumbing.
2. Service calls to repair or replace appliance light bulbs or broken shelves. Consumable parts (such as filters) are excluded from warranty coverage.
3. Damage resulting from accident, alteration, misuse, abuse, fire, flood, acts of God, improper installation, installation not in accordance with electrical or plumbing codes, or use of products not approved by warrantor.
4. Replacement parts or repair labor costs for units operated outside the United States.
5. Repairs to parts or systems resulting from unauthorized modifications made to the appliance.
6. The removal and reinstallation of your appliance if it is installed in an inaccessible location or is not installed in accordance with published installation instructions.

DISCLAIMER OF IMPLIED WARRANTIES; LIMITATION OF REMEDIES

CUSTOMER'S SOLE AND EXCLUSIVE REMEDY UNDER THIS LIMITED WARRANTY SHALL BE PRODUCT REPAIR AS PROVIDED HEREIN. IMPLIED WARRANTIES, INCLUDING WARRANTIES OF MERCHANTABILITY OR FITNESS FOR A PARTICULAR PURPOSE, ARE LIMITED TO ONE YEAR. WARRANTOR SHALL NOT BE LIABLE FOR INCIDENTAL OR CONSEQUENTIAL DAMAGES. SOME STATES DO NOT ALLOW THE EXCLUSION OR LIMITATION OF INCIDENTAL OR CONSEQUENTIAL DAMAGES, OR LIMITATIONS ON THE DURATION OF IMPLIED WARRANTIES OF MERCHANTABILITY OR FITNESS, SO THESE EXCLUSIONS OR LIMITATIONS MAY NOT APPLY TO YOU. THIS WARRANTY GIVES YOU SPECIFIC LEGAL RIGHTS AND YOU MAY ALSO HAVE OTHER RIGHTS, WHICH VARY FROM STATE TO STATE.



WARNING: This product can expose you to chemicals including Nickel (Metallic) which is known to the State of California to cause cancer.

For more information go to www.P65Warnings.ca.gov

Note: Nickel is a component in all stainless steel and some other metallic compositions.

Felix Storch, Inc.
An ISO 9001:2015 registered company
770 Garrison Ave
Bronx, New York 10474
www.summitappliance.com

SUMMIT
P R O F E S S I O N A L

For parts and accessory ordering,
troubleshooting and helpful hints, visit:
www.summitappliance.com/support