

ASKO
Inspired by Scandinavia



Laundry

Front-Loading Washing Machine

3 electronic interfaces:

Classic, Logic and Style.
Capacity of 17 1/2 to 26 1/2 lbs.

Quattro Construction™:

exclusive suspension system with 4 shock absorbers to reduce vibrations and increase machine stability.

Steel Seal™ Porthole:

washing machine opening without a rubber seal for better hygiene, no smell and easier access.

Dose Assist:

Recommends the optimum amount of detergent. After the machine is loaded, the measuring sequence begins and then displays the amount of detergent needed for the cycle.

Steam:

Steam is created in bottom of tub with small amount of water used for re-fresh and wrinkle care.



Automatic dosage*:

decreases detergent consumption by using the exact amount. Eliminates the risk of residues on dark fabrics and improves general washing performance.

Pro Wash™*:

system that enables excellent washing results and optimal detergent dilution.

Active Drum™:

takes care of your laundry by treating it as gently as possible.

Induction motor:

increases the lifespan of the washer, reduces energy consumption and reduces noise.

*On select models

Front-Loading Tumble Dryer

3 electronic interfaces:

Classic, Logic and Style.
Capacity 17 1/2 to 26 1/2 lbs.

Air Lift™ paddles:

to increase the effectiveness of drying and make it faster.

Soft Drum™:

to improve air circulation around laundry, increases the effectiveness of drying, and is more gentle.

Steam:

Integrated steam generator for clothes refreshing and anti-wrinkle treatment.



Butterfly™ drying system:

to prevent laundry from getting tangled up in a ball.

Multi-level filter system:

to prevent lint from entering the dryer and increasing the drying time.

Induction motor:

increases the lifespan of the dryer, reduces energy consumption and reduces noise.

Contents

Be inspired by Scandinavia	3
Washing machines	5
More steel, less plastic — long lasting	7
A style for every taste	9
ASKO prioritizes washing quality	11
ASKO Pro Wash™ system provides extra washing power	13
Mode function - your shortcut to better washing	14
Programs for all kinds of laundry	15
Scandinavian inspired Laundry Essentials	17
Washers — Classic	19
Washers — Logic	20
Washer — Style	21
Tumble dryers	22
More steel less plastic	23
There's always room for a heat pump dryer	25
Laundry care starts with the right program	27
Steam is natural caring	29
Heat pump dryers are closed systems	31
Multilevel lint filter: ensures optimal operation	33
Complementary options for more comfort	35
List of programs	36
Tumble dryers — Classic	37
Tumble dryers — Logic	38
Tumble dryer — Style	39
International awards	40
Drying Cabinet	41
Why do I need a drying cabinet?	43
Hidden Helpers™	47
Your laundry room just got bigger!	49

Be inspired by Scandinavia

Long, dark winters with short eruptions of bright summer; nature is key, and our main source of inspiration. It made us what we are – creatures yearning for warmth and light. It also made us aware of what we have – forests, mountains, plains, and archipelagos, landscapes and seascapes with winding sharp shorelines in between, an abundance of beauty. Function was always vital for survival as climate was harsh and resources were scarce. That is why, it seems, form and function are inseparable, and to the very core of Scandinavian design; it is what it is, purely practical and simply beautiful. ASKO is no exception.

Appliances should balance care for the user with care for the world around us. They should be as environmentally friendly as possible, built with care and respect for nature. They should look good, since they'll be in your home for a long time: built to last, but also built to harmonize. Made beautiful, timeless and elegant.



Our history

The beginning of ASKO was an act of love – no more, no less. In the 1950s, a young farmer in Jung, south of Lidköping in Sweden, saw his mother's predicament: washing by hand is wet, cold, hard and heavy. He wished to ease her washing burden, and so he invented his own washing machine. It had superior cleaning performance, with built-in water heating, spinning and a durable stainless steel construction. When others saw his washing machine, they wanted one too. Pretty soon, production began.

More than 70 years later, ASKO is a global brand that designs and

develops premium kitchen and laundry appliances for homes and businesses. We manufacture our products to the highest possible standards and develop our domestic appliances based on professional principles.

Today, ASKO helps people around the world to cook, clean and care for their families whilst looking after the environment. With a uniquely Scandinavian approach, ASKO combines award-winning design with innovative features and smart solutions. We create products and services that are destined to become a much-loved part of people's homes and lives.

About ASKO

We're inspired by Scandinavian values: healthy living, fairness, care for people, functional and minimalistic design, dedicated craftsmanship and environmental responsibility. We want to reflect the values of care, honesty, reliability and respect and combine them with a feeling for quality and respect for the environment. We are driven by the passion to create products that can become a much-loved part of your home, that are a joy to use, that take great care of you and your family, and that can provide you with the inspiration, the opportunity and the time to do the things you really enjoy.

Washing machines

Washing clothes that only need to be refreshed is negative both for your clothes and for the environment. That is why we have updated our washing machines with old-fashioned steam. Steam can be used daily for refreshing, gently cleaning, and removing odor from everywhere from wedding dresses at dry cleaners to car upholstery at auto detailers. Now you will also find steam in ASKO's washing machines. Another novelty is Dose Assist. It is a smart function that first measures the weight of the load and then gives you information about how much detergent you should dose. You thus avoid both unnecessary overdose and insufficient under-dose of detergent.

STYLE

LOGIC

CLASSIC



WASHERS

More steel, less plastic — long lasting

ASKO washing machines and dryers have a long-lasting and exclusive design along with innovative functionalities designed to make your everyday life easier. They are manufactured with high-quality steel parts that can withstand the test of time. ASKO follows the most recent

quality management standards (ISO 9001) and complies with the most rigorous environmental standards (ISO 14001, EMAS). ASKO is a Scandinavian brand that is globally recognized for its design and performance. Designed to last for 20 years (tested 10,000 hours).



Quattro Construction™ vibration-free spinning

Our contribution to better living conditions for people living next door to the washer is spelled Quattro Construction™. This is a unique yet simple system consisting of four shock absorbers that transfer the vibrational energy from the outer drum to the bottom plate of the machine. In fact, the entire construction stands inside the casing and spinning at even maximum rpm can be achieved virtually free of vibrations.



QUATTRO CONSTRUCTION



Hygienic Steel Seal™ door

A common feature of all commercial washing machines, whether they are used in hotels, beauty salons or retirement homes, is that they have no rubber below. And there's good reason. Eliminating a rubber door seal that can degrade over time, start to smell, and trap dirt and grime, ensures a more hygienic wash. You will also find loading and unloading easier with the Steel Seal™ door solution. All ASKO domestic washers have this long-lasting door solution.



Strong and silent

Our washing machines are fitted with brushless motors to ensure that the machine can cope with the highest spin speeds while reducing noise levels and increasing the life of the machine. High efficiency ensures reduced energy consumption and the motor also allows for speed control, enabling the further development of washing programs.



Tough on dirt and gentle on fabrics

The hourglass-shaped and removable lifters guide the load to the gentler central area of the drum and effectively remove large debris, such as dirt and gravel, to the larger holes at the edge of the drum. Active Drum™ is perfectly balanced to ensure the best possible washing and rinsing performance while still ensuring minimal wear on fabrics.

SERIES

A style for every taste

ASKO offers three laundry series: Classic, Logic, and Style. With a range of features and looks, you can pick the best fit for you. ASKO laundry appliances are designed to complement each other, so your washer, dryer, and other ASKO laundry products combine effortlessly.

All models have:

- easy to use Line concept (left to right)
- program and option memory (will remember last run program)
- add clothes function
- remaining time indication



Style

The Style models have a full-size front made from a single piece of solid steel that surrounds the stylish horizontally brushed aluminum panel. The front, panel, display and other visible components boast a perfect fit and finish and the full-color high-definition TFT display provides the best possible overview of the available functions, modes, and status. We have not compromised on any material, which is why all the knobs and buttons are made of carefully polished metal and designed to offer the best feel and response when used.




Logic

For the Logic models we focused on a minimalistic appearance with sleek lines and a balanced color scheme between the front plate, panel and display. Harmony is key here and the Logic models are suited to all types of integration where appearance is important. This is the logical choice for everyone and caters to the need for both design and function.



Classic

Our Classic models have a program for every living situation and with the three run modes, you can quickly adjust the programs to make them either more environmentally friendly or wash more intensively. The interface is easy to understand and straightforward to use with a selection knob for program selection and buttons for each option. The front plate, panel and controls have the same timeless, discreet and elegant white design that will last forever.

Features	Style	Logic	Classic
Drum Volume	2.8 Cu. Ft.	2.8 Cu. Ft.	2.1 Cu. Ft.
Clothing Capacity	26.5 lbs	24.3 lbs	17.6 lbs
Washing Programs	25	22	15
Modes	6	5	4
Energy Star	—	—	
Display	Full graphic color display (TFT)	High Quality LCD display	High Quality LCD display
Auto Dosing	Yes	—	—
ASKO Pro Wash™	Yes	—	—
Steel Seal™	Yes	Yes	Yes
ECO (hot & cold fill)	Yes	—	—
Load light	Yes	—	—
Colors Available	White	White / Titanium	White

WASHERS

ASKO prioritizes washing quality

ASKO washing machines are the outcome of a long tradition of innovative engineering guaranteeing optimal washing quality by using new technologies and constantly adjusting the four

fundamental and interdependent parameters of the Sinner Circle – temperature, mechanics, time and chemistry – in order to achieve perfect and efficient washing results while protecting the environment.



Save detergent with Auto Dose

AVAILABLE ON STYLE

To be on a par with the Auto Dose system, you need to know the weight and dirtiness of the load, the water hardness and the type of program you are about to run. All of these parameters affect how much detergent is needed. With the Auto Dose system, the only thing you need to do is select the dirtiness of the load and then leave the rest of the decision making to the clever algorithms that control the Auto Dose system.

The Auto Dose system ensures that the water and detergent are well mixed before reaching the clothes in the drum. This eliminates the risk of spots on dark fabrics and improves overall washing performance. It also activates the detergent earlier in the process, which makes cleaning more effective even at lower temperatures.



Dose Assist

AVAILABLE ON CLASSIC AND LOGIC

Instead of struggling yourself, let the washing machine measure exactly the right detergent dose. With the Dose Assist function, the washing machine will recommend the optimum amount of detergent based on the wash load weight. After starting the program the washing machine will measure the appropriate amount of detergent needed in the washing cycle and display the dosing recommendation on the screen.



Steam refresh program

AVAILABLE ON LOGIC AND STYLE

Steam helps you to freshen up your garments in no time without the need for detergent or fabric softener. After 20 minutes of steam treatment in our Steam Refresh program, only a short drying time remains before you can use your reborn garment. Steam is a highly effective and gentle means to care for your shirts, jackets and trousers. You can steam both natural fibers, such as cotton and linen, as well as synthetics.

WASHERS

ASKO Pro Wash™ system provides extra washing power

The ASKO Pro Wash™ system actively circulates the water and detergent from the bottom of the drum to the top where two nozzles spray the water/detergent mix over the inner drum and it is then guided by the lifters and eventually sprayed on the laundry. This means the load is

soaked faster, which enables superb washing and rinsing performance even with very short washing cycles or very big loads. The system also ensures optimal usage and effectiveness of the detergent will be faster resolved in the process water.



Higher capacity

Our Active Drum™ has a volume of 2.12 or 2.83 cu.ft, enabling a wash load of up to 17.64 and 26.46 lbs (depending on model). The higher capacity means fewer wash loads. The larger drum space also ensures less wrinkles and tangling of clothes, giving you optimum wash performance.



WASHERS

Mode function - your shortcut to better washing

When using a run mode, different parameters of the selected program are changed to be able to, for example, wash faster, quieter,

more energy efficiently or more intensively. Our Style models have six different modes, Logic has five and the Classic models four.

Green mode

If you want to save both water and energy you should choose Green mode. To achieve the best possible washing and rinsing result yet still reduce energy consumption, each stage in the program is prolonged. Total program time will thus be longer compared to Normal mode.

Night mode

Use night mode whenever you need the washing machine to be quieter. The drum movements are gentler and the final spin uses a lower rpm. Time is added to ensure that the load is washed perfectly.

Intensive mode

In this mode the washing machine has plenty of time to wash the load, more time than in Normal mode. And to really ensure a perfect result for heavily soiled clothes, more water and energy are also used. In Intensive mode the selected temperature is kept at the same level for a longer time.

Speed mode

When selecting Speed mode the washing machine will deliver perfect washing and rinsing results in less time than normal. To achieve this, both more water and more energy are added to the washing cycle.

Allergy mode

This mode ensures that all detergent residue is rinsed away from the load as well as from the detergent compartment. More water is used in Allergy mode and energy and time are also added to achieve the best possible washing and rinsing performance. The selected temperature is kept at the same level for a longer time.

Super Rinse

Dirt is not good for your clothes and detergents are not good for your skin. As a preventive measure for people with very sensitive skin ASKO's washing machines feature an extra rinse function called Super Rinse. This is especially important in countries with soft water and means that the machine rinses up to seven times.

WASHERS

Programs for all kinds of laundry

Today, we use significantly more different clothes, different types of fabrics and often fabrics of mixed materials than we did just a decade ago. As a consequence, it is also more difficult to choose

the right program. We have made it easy for you to make the right choice by creating a large number of programs for different types of clothes and fabrics. Some of them are featured here.



Wool/handwash

The Hand and wool wash programs, delicate garments are washed in 104°F before it is shortly spun at low speed. We promise, your favorite wool sweater has never looked better.

Sportswear

A program for clothes with membranes, such as waterproof garments and breathable fabrics. This program is also ideal for sportswear made of mixed materials. The program is short and uses fewer rinses to reduce wear on waterproofing agents.

Hygiene

The hygiene program is designed for all those situations where deep hygienic washing is required. It is perfect for home chefs who need to clean aprons, kitchen towels and other textiles that meet raw food. It is also suitable for baby clothes, bedding and clothes used by skin allergy sufferers. The program combines longer heating sequences and extra rinses.

Steam refresh

If your clothes have no visible stains, you can use the steam refresh program. This is an ideal way to get your clothes fresh again, without any detergents struggling to clean textile fibers. A careful treatment for your clothes, skin, and the environment.

Stain

Tell the machine what type of fabric and stain you have. Then, let the Stain program deal with it while you do something more fun. Like having another glass of wine.

Time

Use the Time program to optimize a wash depending on how long time you have. A smart way to get clean clothes in a jiffy.

Minimum time: 20 min
Maximum time: 180 min

Auto

The Auto program optimizes washing time and number of rinses depending on load and which program you choose. Now you can wash smaller loads without feeling bad. Just activate the program.

Drum cleaning

If you use the Drum cleaning program regularly it will maintain the freshness of the laundry and prolong the life of your washing machine. One button, two benefits.

Quick Pro

This is a quick program but with high washing efficiency. The program washes with gentle tumbling and lower spin speeds and takes just less under an hour. Perfect for sweaters and training clothes.

LAUNDRY DETERGENT

Scandinavian inspired Laundry Essentials

ASKO Laundry Essentials have been created with care in mind: made to look after clothes, and the people wearing them. Six enzymes provide extra washing power, breaking down any tough stains and keeping garments fresh. The detergents are also specially formulated for a

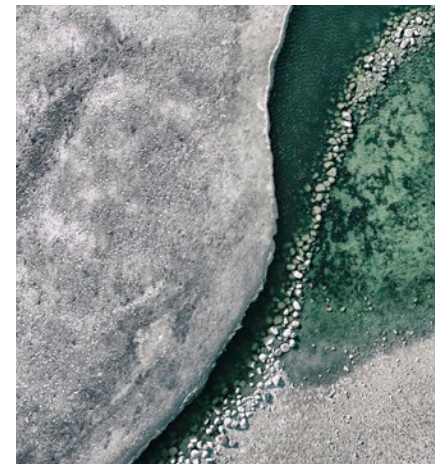
reduced environmental impact – with a 99% natural, formula, free from dyes, animal-based ingredients, phosphates and parabens. They're enhanced with scents inspired by Scandinavian nature, and are perfect for ASKO washing machines.



Eliminaze™ Odor Neutralizer Technology

The detergent's fragrance also contains a specialized odor-neutralizing technology which actively binds the compounds that cause bad smells. As a result, using the detergent helps to control these odors.

- Eliminates bad smells
- Removes them by neutralizing them
- Proven to be effective



Liquid detergent White & Color

Be gentle on nature and the environment and wash your colored clothes with this sustainable, effective laundry wash.

Benefits

- 99% natural ingredients
- Proven to be effective
- With 6 enzymes for extra washing power
- Tough against stains
- With odor-neutralizing technology
- Free from colorants, parabens and animal-derived ingredients
- Effective from 86 °F
- Anti-pilling effect on cotton/ polyester blends
- Color-safe formula
- Transparent bottle – nothing to hide
- Bottle made from 100% recycled plastic
- Minimalistic design
- Scandinavian fragrance

Liquid fabric care

Extend the life of your favorite garments with this caring formula.

Benefits

- Removes fuzz & pills
- Anti-graying
- Softer & smoother feel (functions as a softener)
- Protects clothing
- Preserves colors & shapes
- Removes static electricity
- Keeps clothes looking new for longer
- With odor-neutralizing technology
- Transparent bottle – nothing to hide
- Bottle made from 100% recycled plastic
- Minimalistic design
- Scandinavian fragrance

Nordic Swan Ecolabel



The Nordic Swan Ecolabel is the official Nordic Ecolabel, founded by the Nordic Council of Ministers in 1989.

The purpose of the Nordic Swan Ecolabel is to contribute to less environmentally damaging production and consumption. That is why the Nordic Swan Ecolabel looks at the entire product's journey and the environmental problems that arise along the way – for the benefit of people, the environment and the earth's resources.

Vegan



The Vegan label is administered by The Vegan Society, which is the oldest and most recognized vegan community in the world, founded in England in 1944. The brand is registered in many parts of the world and is used on more than 22,000 products.

The Vegan Society defines veganism as “a way of life that seeks to exclude as far as possible and practically possible all forms of exploitation and cruelty to animals for food, clothing and any other purpose”. The label is found on many different products such as food, clothing, cosmetics and detergents.



W2084W
Front-loaded washing machine
White
Loading capacity: 17.6 lb
Max spin: 1400 rpm
Dose Assist



Washers — Classic

Spinning without vibrations: Quattro Construction™ professional suspension system, **Gentle on fabrics, tough on stains:** Active Drum™, **Hygienic door without rubber below:** Steel Seal™, **Always the right amount of detergent:** Dose Assist



Features

- Quattro Construction™ anti-vibration build: 4 shock absorbers to increase stability and durability
- Steel Seal™ anti-mold porthole without a rubber seal
- Stainless steel drum and tank // Rust-resistant galvanized steel body // Brushless induction motor
- 20 years of domestic use (Quality test: 10,000 h, 225 cycles per year)

Performance

- Dose Assist measures the load weight and calculates the required amount of detergent
- Active Drum™ ensures a gentle and effective motion that preserves fabrics

Comfort

- Easy to read LCD display
- Large ergonomic knob for easy navigation through the menu system
- Remaining time display // Favorite programs // Signal at end of program // Adjustable feet

Programs

- 15 programs: Universal wash, Cotton, Mix/synthetics, Wool/hand, Dark wash, Time program, Auto, Quick, Heavy, Easy care, Quick Pro, Rinse, Spin, Drain, Drum cleaning

Program modes

- 4 modes: Normal mode, Green mode, Speed mode, Intensive mode

Dose modes

- Dose Assist

Options

- Temperature, Spin speed, Super rinse, Dose Assist, Pre-wash, High water level, Anti-crease, Delayed start

Settings

- Child lock, Language selection, Temperature unit, Acoustic signals, Display settings, Set programs, Reset

Safety

- Aqua Block™ full protection against all leaks:
 - Control of water intake duration // Anti-overflow protection // Anti Block™ drain pump
 - Ultra-durable PEX water inlet hose, with a lifespan of approx. 50 years
- Child safety/electronic strip lock // After-sale self-diagnostics

Dimensions

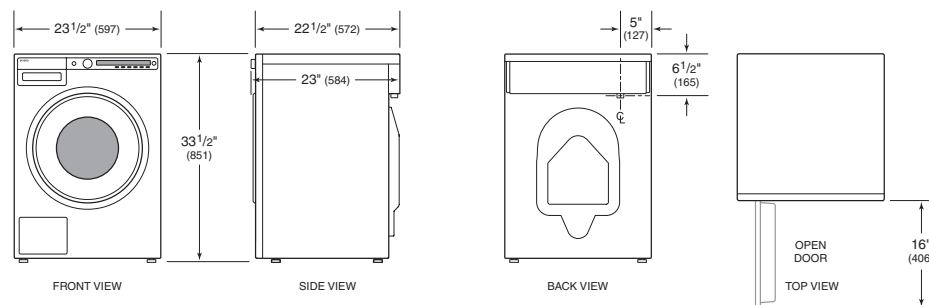
- Appliance dimensions (H x D x W): 33 7/16" x 23 7/16" x 23 1/16" (850 x 595 x 585 mm)
- Length of the power cable: 78 3/4" (2000 mm)
- Length of the PEX inlet hose / Locknut dimensions: 59 1/16" (1500 mm) / 3/4"
- Drain hose length: 63" (1600 mm)

Technical data

- Electrical requirements: 208-240V / 15A / 60Hz
- Electrical connection: unit comes ready fitted with a 208-240V 20A plug
- Drum volume: 2.1 cu. ft.
- Noise level during washing dB(A): 51
- Noise level during spin dB(A): 75
- Energy consumption/100 cycles (kWh): 54
- Water consumption standard cycle: 12.15 gal (46 L)
- Max spin: 1400 rpm
- Remaining moisture after spin: 48 %
- Loading capacity: 17.6 lb (8 kg)

ASKO washers can be connected to ASKO dryers - using 30A connection for the ASKO Tumble Dryer - valid for all washers and all dryers.

Installation*



*Check technical and installation specifications on the us.asko.com website for any updated information.



W4114CW
Front-loaded XL washing machine
White
Loading capacity: 24.3 lb
Max spin: 1400 rpm
Dose Assist/Steam



W4114CT
Front-loaded XL washing machine
White
Loading capacity: 24.3 lb
Max spin: 1400 rpm
Dose Assist/Steam

*Check technical and installation specifications on the us.asko.com website for any updated information.

Washers — Logic

Spinning without vibrations: Quattro Construction™ professional suspension system, **Gentle on fabrics, tough on stains:** Active Drum™, **Hygienic door without rubber below:** Steel Seal™, **Heavy duty design:** Cast-iron counterweight, **Always the right amount of detergent:** Dose Assist, **Soft cleaning and refreshment:** Steam programs



Features

- Quattro Construction™ anti-vibration build: 4 shock absorbers to increase stability and durability
- Steel Seal™ anti-mold porthole without a rubber seal // Cast iron counterweights
- Stainless steel drum and tank // Rust-resistant galvanized steel body // Brushless induction motor
- 20 years of domestic use (Quality test: 10,000 h, 225 cycles per year)

Performance

- Dose Assist measures the load weight and calculates the required amount of detergent
- Active Drum™ ensures a gentle and effective motion that preserves fabrics

Comfort

- Easy to read LCD display
- Large ergonomic knob in solid aluminium for easy navigation through the menu system
- Remaining time display // Favorite programs // Signal at end of program // Adjustable feet

Programs

- 22 programs: Universal wash, Cotton, ECO 40-60°, Mix/synthetics, Wool/hand, Dark wash, Time program, Auto, Quick, Heavy, Easy care, Jeans, Shirts, Steam refresh, Quick Pro, Hygiene, Bedding, Allergy cotton, Allergy synthetics, Rinse, Spin, Drain, Drum cleaning

Program modes

- 5 modes: Normal mode, Green mode, Speed mode, Allergy mode, Intensive mode

Dose modes

- Dose Assist

Options

- Temperature, Spin speed, Super rinse, Dose Assist, Pre-wash, High water level, Anti-crease, Delayed start

Settings

- Child lock, Language selection, Temperature unit, Display settings, Set programs, Acoustic signals, Reset

Safety

- Aqua Block™ full protection against all leaks:
 - Control of water intake duration // Anti-overflow protection // Anti Block™ drain pump
 - Ultra-durable PEX water inlet hose, with a lifespan of approx. 50 years
- Child safety/electronic strip lock // After-sale self-diagnostics

Dimensions

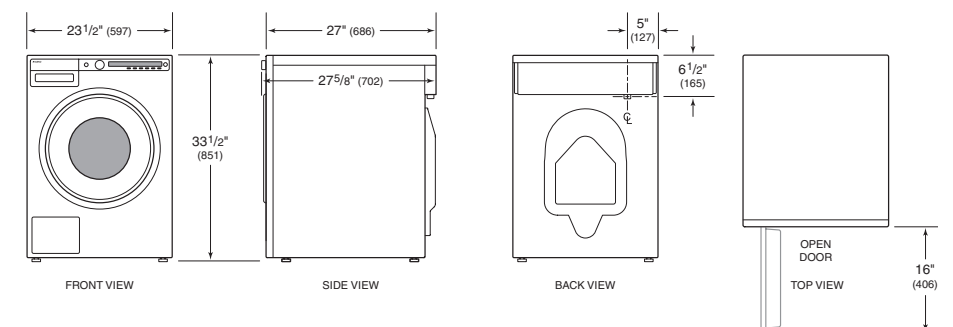
- Appliance dimensions (H x D x W): 33 7/16" x 23 7/16" x 27 9/16" (850 x 595 x 700 mm)
- Length of the power cable: 78 3/4" (2000 mm)
- Length of the PEX inlet hose / Locknut dimensions: 59 1/16" (1500 mm) / 3/4"
- Drain hose length: 63" (1600 mm)

Technical data

- Electrical requirements: 208-240V / 15A / 60Hz
- Electrical connection: unit comes ready fitted with a 208-240V 20A plug
- Drum volume: 2.8 cu ft (80 L)
- Noise level during washing dB(A): 52
- Noise level during spin dB(A): 74
- Energy consumption/100 cycles (kWh): 61
- Water consumption standard cycle: 12.6 gal (48 L)
- Max spin: 1400 rpm
- Remaining moisture after spin: 48 %
- Loading capacity: 24.3 lb (11 kg)

ASKO washers can be connected to ASKO dryers - using 30A connection for the ASKO Tumble Dryer - valid for all washers and all dryers.

Installation*

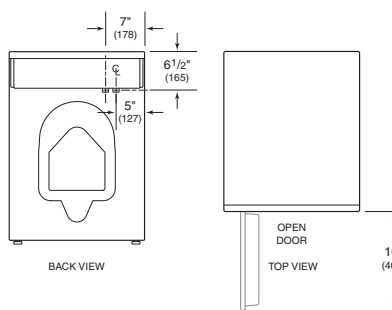
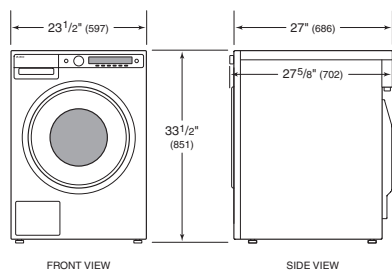




W6124XW
 Front-loaded washing machine
 White
 Loading capacity: 26.5 lb
 Max spin: 1400 rpm
 Dose Assist/Pro Wash/Steam/
 Auto Dose



Installation*



*Check technical and installation specifications on the us.asko.com website for any updated information.

Washer — Style

Spinning without vibrations: Quattro Construction™ professional suspension system, **Automatic dosing of correct amount of detergent:** Auto Dose, **Efficient washing and rinsing:** Pro Wash system, **Gentle on fabrics, tough on stains:** Active Drum™, **Hygienic door without rubber below:** Steel Seal™, **Heavy duty design:** Cast-iron counterweight, **Always the right amount of detergent:** Dose Assist, **Cleaning and refreshing:** Steam programs



Features

- Quattro Construction™ anti-vibration build: 4 shock absorbers to increase stability and durability
- Steel Seal™ anti-mold porthole without a rubber seal // Cast iron counterweights and cross piece
- Stainless steel drum and tank // Rust-resistant galvanized steel body // Brushless induction motor
- Quality test: 10,000 h, 225 cycles per year (20 years of domestic use)

Performance

- Dose Assist measures the load weight and calculates the required amount of detergent
- Automatic dosage // Automatic detergent compartment cleaning function
- Pro Wash™ system for excellent washing results and optimal detergent dilution
- Active Drum™ ensures a gentle and effective motion that preserves fabrics

Comfort

- Easy to read TFT Full color display
- Large ergonomic knob in solid aluminium for easy navigation through the menu system
- Favorite programs // Sound signal at the end of the program // Adjustable feet

Programs

- 25 programs: Universal wash, Cotton, ECO 40-60°, Mix/synthetics, Wool/hand, Dark wash, Time program, Auto, Quick, Heavy, Easy care, Jeans, Shirts, Steam refresh, Quick Pro, Hygiene, Sports wear, Conditioning, Stain program, Bedding, Allergy cotton, Allergy synthetics, Rinse, Spin, Drain, Drum cleaning

Program modes

- 6 modes: Normal mode, Green mode, Speed mode, Allergy mode, Night mode, Intense mode

Dose modes

- Auto Dose tank A, Auto Dose tank B, Dose Assist

Options

- Temperature setting, Spin speed, Delayed start, Add to favorites, Super rinse, High water level, Anti-crease

Settings

- Child lock, Set dose modes, Language selection, Temperature unit, Water hardness, Acoustic signals, Drum illumination, Display settings, Set programs, Reset

Safety

- Aqua Block™ full protection against all leaks:
 - Control of water intake duration // Anti-overflow protection // Anti Block™ drain pump
 - Ultra-durable PEX water inlet hose, with a lifespan of approx. 50 years
- Child safety/electronic strip lock // After-sale self-diagnostics

Dimensions

- Appliance dimensions (H x L x W): 33 7/16" x 23 7/16" x 27 9/16" (850 x 595 x 700 mm)
- Length of the power cable: 78 3/4" (2000 mm)
- Length of the PEX intake tube / Locknut dimensions: 59 1/16" (1500 mm) / 3/4"
- Drainage tube length: 63" 1600 mm

Technical data

- Electrical requirements: 208-240V / 15A / 60Hz
- Electrical connection: unit comes ready fitted with a 208-240V 20A plug
- Drum volume: 2.8 cu ft (80 L)
- Noise level during washing dB(A): 53
- Noise level during spin dB(A): 74
- Energy consumption/100 cycles (kWh): 62
- Water consumption standard cycle: 13.5 gal (51 L)
- Max spin: 1400 rpm
- Remaining moisture after spin: 48 %
- Loading capacity: 26.5 lb (12 kg)

ASKO washers can be connected to ASKO dryers - using 30A connection for the ASKO Tumble Dryer - valid for all washers and all dryers.



Tumble dryers

Our tumble dryers do more than just dry your clothes perfectly. You can use them to refresh clothes instead of washing them - either using air or steam. Anti-wrinkle treatment is optimally performed with the Steam Wrinkle Care program. For thermal activation of waterproofing agents you simply use the Conditioning program. This is total flexibility from ASKO.

TUMBLE DRYERS

More steel less plastic

All ASKO tumble dryers come with a stainless steel drum, an induction motor and five ball bearings to make them more durable. The five ball bearings located in the drum and the motor reduce the wear on functional components, thus making sure that the tumble dryer will last for a long time. Designed to last 20 years — tested 10,000 hours.



We love ball bearings

Ball bearings are good things. They make things spin easier and last longer, so we equip our tumble dryer with up to five of them: one on the drum shaft, two to rest the drum on, and two ball bearings to support the motor.



Stainless Steel drum

At ASKO, we believe not only that stainless steel will outlast for example, plastic, but also that quality materials will always look better in years to come. Eventually, galvanized steel rusts, so we decided to make our drums out of stainless steel. That's why our tumble dryers really do last longer.



Long lasting motors

We have fitted our tumble dryers with extra reliable and quiet brushless motors. No brushes means a part less than can break, it also makes the motor more quiet.

TUMBLE DRYERS

There's always room for a heat pump dryer

ASKO's heat pump dryers are closed systems in which the process air constantly circulates inside the tumble dryer, making it possible to install them in confined spaces, with little incoming air. Easy to integrate and install.

Main benefits with Heatpump

- Low temperature – gentler drying resulting in longer lifetime for your clothes
- Low energy consumption
- Less wear and tear
- Reduced risk of clothes shrinking
- Possibility to dry sensitive fabrics
- Possible to install in confined spaces



How can a heat pump be gentle on your clothes?

The air is dehumidified with the help of an evaporator instead of heat only, which means that lower temperatures can be used in the drying process. This, in turn, makes the drying gentler on fabrics without any loss in drying capacity or effectiveness. As well as gentler drying, the heat pump dryer also reduces the risk of clothes shrinking and even very sensitive fabrics can be dried.

A Soft Drum™ made of stainless steel

Soft Drum™ is a solution developed to enhance air flow around the load, thereby increasing the drying effect. The circular indentations with beveled edges also have a cushioning effect that reduces wear and tear on fabrics. The new drum design allows for even and gentle drying with both small and large loads.

Dry with more air and less heat

To dry clothes quickly and gently, you must use the air that circulates in the drum as efficiently as possible. Our two lifters have a high and a low side placed on opposite sides of the drum. The clothes will thus fall irregularly in the drum which prevents them from bundling, allowing better air circulation through the clothes.

Butterfly Drying™

This smart feature is our own invention. It saves both the motor and your ironing board. The unique paddles inside the drum tumble the clothes in a figure eight to prevent the clothes from bundling. This leads to a reduced need to reverse the drum rotation. This is an intelligent function which saves the motor and the belt from any unnecessary strain and your clothes from creasing.

Condensed water evacuation

The water generated during drying is collected in a large water tank that is easy to remove and empty. All our dryers can also be connected to drains, which means that you do not have to worry about emptying the water tank.

Save energy!

Our heat pump dryers consume only 1,77 kWh per program for a 15.4 lb load.

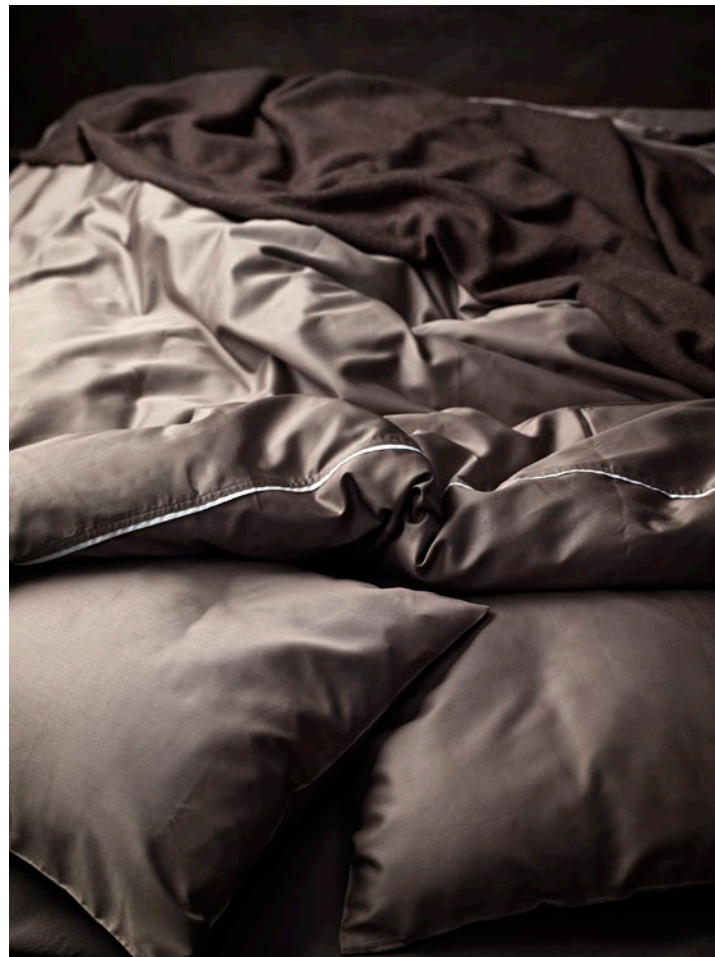


TUMBLE DRYERS

Laundry care starts with the right program

Other manufacturers offer a few programs that you must adapt to suit different fabrics, materials and situations. We have a completely different philosophy and want you to spend as little time as possible

in the laundry room. This is why we have created a large number of programs that reflect different types of clothes, fabrics and situations. On the next page we present some examples.



Bedding

A program for drying large items such as double sheets and duvet covers. This program uses a low temperature, more time and reverse drum movements to prevent the laundry from bundling.

Silk & wool

Silk and wool fabrics shouldn't be washed too often. Use the Silk & Wool program to loosen up and refresh the garments.

Shirts

A program for shirts and blouses that dries at a low temperature with reverse drum movements. The program runs until the fabric is almost dry, with just a small amount of moisture remaining to prevent creasing.

Timed drying

This program lets you set the duration of your drying cycle. You can set it from 30 minutes to 4 hours (in 15-minute intervals). Make sure you choose a duration that is suitable for the type of laundry.

Steam wrinkle care

Skip the boring ironing and put the shirts in the tumble dryer instead. The Steam wrinkle care program uses steam and gentle heat treatment to reduce wrinkles. That is revolutionary.

Sportswear

A program for drying clothing with membranes, such as waterproof and breathable fabrics that require gentle care. This program is also ideal for sportswear made of mixed materials. A low temperature and more time are used to ensure that the load is completely dry throughout.

Quick Pro

With this program you can get your wash completely dry in under an hour.

Steam refresh

Ideal for freshening up garments such as suit jackets, wool sweaters and other items that would normally be dry cleaned or otherwise treated. Steam is very effective at removing odors from cigarette smoke and fire smoke.

Conditioning

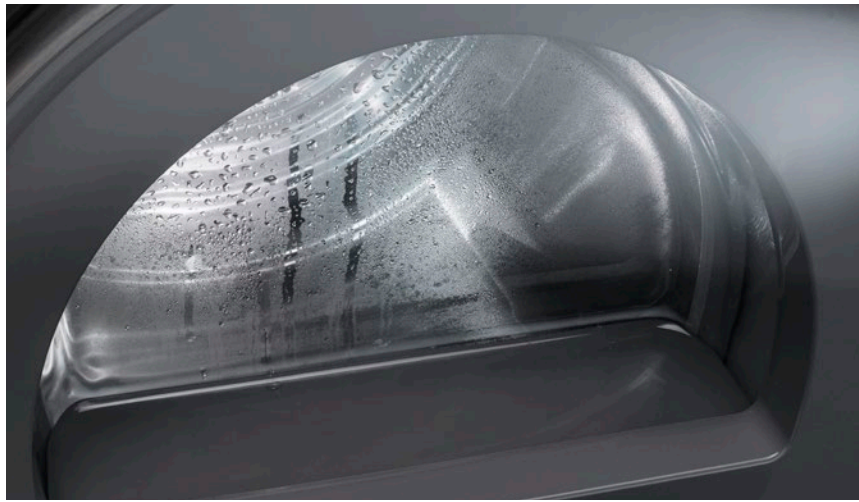
A program for the thermal activation and optimization of waterproofing agents used in the Conditioning program in the washer. This is a short program with a high temperature to ensure optimal waterproofing of the fabric.

TUMBLE DRYERS

Steam is natural caring

With the steam function, our heat pump dryers offer you a product that takes caring for your clothes to a new level. Steam is a highly effective and gentle means to care for your shirts, jackets and trousers.

It is an easy way of getting your favorite shirts creaseless, but can also be used for refreshing clothes that don't need washing. You can steam both natural fibers, such as cotton and linen, and synthetics.



The only crease treatment that actually works

Using the steam wrinkle care program effectively reduces and eliminates creases in, for example, shirts and linen. The program uses repetitive steam injections and heat treatment at low temperatures, which also make it suitable for sensitive fabrics. You can steam treat up to six shirts for perfect results. 200 ml of water is used and the program is done in just 25 minutes or so. Water from the drying process is used for the steam generator.

Steam beats bad smells

Our Steam refresh program is ideal for dealing with such situations. The program freshens up garments such as jackets, wool sweaters and other items that would normally be dry cleaned or otherwise treated.



Load Light™ - practical drum illumination

The Load Light™ illuminates the inside of the drum, which helps you when loading and emptying the machine - it is simply easier to see that remaining sock inside the drum. It also facilitates inspection when cleaning lifters and lifter inserts. The Load Light™ is integrated in the door hinge and is designed to last the machines entire lifetime.

Sensi Dry™

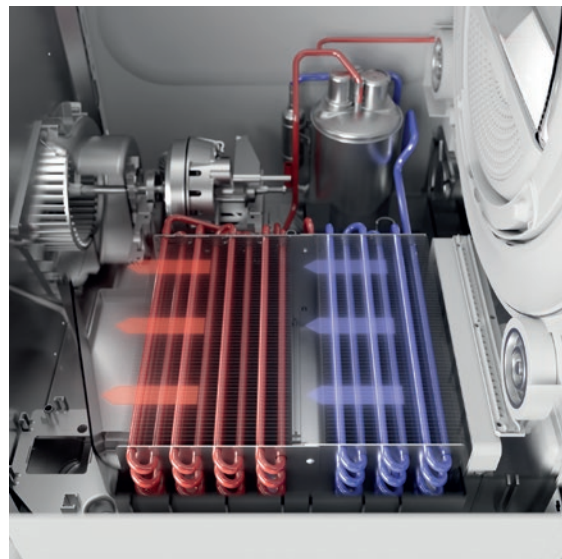
The ASKO Sensi Dry™ system measures moisture in and around the machine, which prevents unnecessary over-drying as well as wear and tear on your clothes.

TUMBLE DRYERS

Heat pump dryers are closed systems

ASKO's heat pump dryers are closed systems in which the process air constantly circulates inside the tumble dryer, in contrast to condenser and vented dryers that consumes and release over

200 m³ of air per program cycle, which places great demands on the supply air and ventilation. Our heat pump dryers are designed so that, in principle, no air needs to be added.



The heat pump process

- 1 The compressor drives the refrigerant through the evaporator and the condenser.
- 2 When the refrigerant is pushed from the larger pipes in the evaporator to the smaller pipes in the condenser it transforms from a cold liquid into a warm gas which heats the air.
- 3 The warm air absorbs the moisture from the damp clothes.
- 4 The moist air is transported via a duct, where it finally reaches the cold part of the evaporator where it is condensate into water.

Refrigerant

The fluid used in the heat pump process. It undergoes phase transition from a liquid to a gas and back again.

Evaporator

In this device the liquid refrigerant is evaporated into gas form. In this case the evaporator also works as a dehumidifier of the moist warm air from the wet clothes.

Condenser

This device has smaller pipes that increases pressure and density of the gas resulting in heat.

Heat pump dryers are easy to install

Our heat pump dryers can be installed in rooms with a lower level of ventilation and unlike ordinary tumble dryers, they can also be installed in confined spaces. Large air gaps are not required around our heat pump dryers and the drying process is not negatively affected by a warm or humid climate, unlike ordinary tumble dryers. Thanks to the closed system, the air around the dryer is not heated, which leads to energy gains in buildings with climate control/air conditioning.

Condensed water evacuation

The water generated during drying is collected in a large water tank that is easy to remove and empty. All our dryers can also be connected to drains, which means that you do not have to worry about emptying the water tank. This is an ASKO-unique feature.

Save energy!

Our heat pump dryers consume only 1,77 kWh per program for a 15.4 lb load.

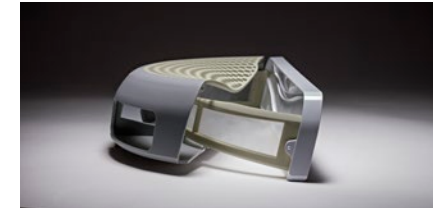
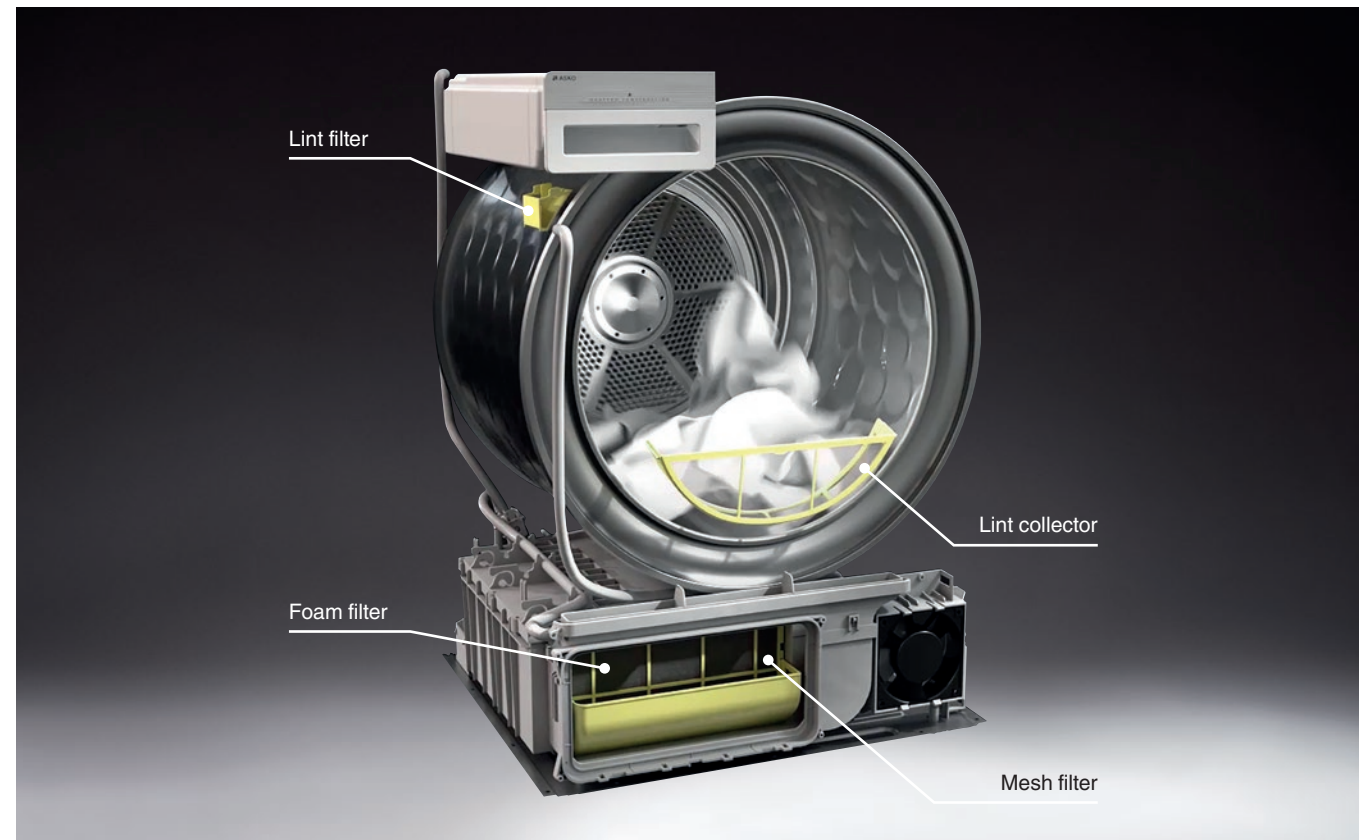
TUMBLE DRYERS

Multilevel lint filter: ensures optimal operation

Lint is a dryer's worst nightmare and inevitably results in a longer drying time, increased energy consumption, and other problems. To prevent lint from entering the appliance, we have designed a multi-level filter system. It is a filtration system that consists of four different filters, depending on

the model. The first filter captures lint from the drum. It is located on the porthole and can be easily cleaned. Dryers that come with a heat pump have a second and third filter. One of them is a mesh filter and the other is a foam filter, and they are installed on the front side of the evaporator. These

filters collect smaller particles and prevent them from getting into the evaporator and the condenser. Models with the steam function contain a small lint filter located on the water recovery tray to prevent lint from getting into the generator.



Multi Filter System

Lint is the tumble dryer's worst enemy and will inevitably lead to longer drying times and increased energy consumption. To prevent lint from getting into the tumble dryer, we have designed the Multi Filter System. This is a filter system of five different filters that ensures that all lint and even smaller particles are trapped before they reach the sensitive inner parts of the tumble dryer.



Lint collector

The lint collector is placed in the door and is designed to be easy to empty and clean. Adopt the habit of always checking that the lint collector is empty before tumble drying. Always empty it after tumble drying.

On all dryers.



Front filter

The front filter is placed in the cooling air inlet for the condenser and keeps the fan wheel free from dust. This additional filter will extend the condenser unit cleaning interval and ensure the best possible performance over time.

On condenser dryers.



Mesh filter

The mesh filter is one of two filters that provides extra protection for the condenser in our heat pump dryers. This filter traps slightly smaller particles than the lint collector. The mesh filter is automatically cleaned with water.

On heat pump dryers.



Foam filter

As a final step before the air hits the condenser the foam filter traps the smallest dust particles. The foam filter is easy to clean in a washing machine without detergent and softener.

In heat pump dryers.



Lint filter

Models with a steam function have an additional small filter, the lint filter, that protects the steam generator from lint and dust.

On selected heat pump dryers.

TUMBLE DRYERS

Complementary options for more comfort

Depending on the dryer model, you have the following options:



Add to Favorites

After each drying cycle, you can save the programs that you use on a daily basis. This functionality is useful for saving time.

Dryness level

You have the choice of 3 dryness levels. Depending on the type of laundry or load, this function lets you optimize drying quality.

Gentle drying

If you want to treat a delicate piece of clothing with care, you can choose the gentle drying option, which reduces the temperature.

Load

You have the possibility of selecting 3 load levels: small, medium and heavy. This function is practical for optimizing drying time depending on the amount of clothing.

TUMBLE DRYERS

List of programs

	Classic			Logic		Style
	Vented	Condenser	Heat pump	Vented	Heat pump with steam	Vented
Auto extra dry	■	■	■	■	■	■
Auto dry	■	■	■	■	■	■
Auto normal dry	■	■	■	■	■	■
Auto iron dry	■	■	■	■	■	■
Auto jeans				■	■	■
Auto synthetic	■	■	■	■	■	■
Auto terry				■	■	■
Auto down				■	■	■
Bedding	■	■	■	■	■	■
Silk & wool			■		■	
Shirts		■	■	■	■	■
Steam wrinkle care					■	
Steam refresh					■	
SportWash					■	■
Conditioning					■	■
Quick Pro	■	■	■	■	■	■
Time	■	■	■	■	■	■
Airing	■	■	■	■	■	■

Tumble dryers — Classic



T208VW
Front-loaded tumble dryer
White // Loading capacity: 17.6 lb
Vented



T208CW
Front-loaded tumble dryer
White // Loading capacity: 17.6 lb
Condenser



T208HW
Front-loaded tumble dryer
White // Loading capacity: 17.6 lb
Heat Pump

Drying without bundling: Butterfly Drying™, **Low noise and long life-time:** Brushless motor, **Easy installation**



Features

- Hygienic and durable stainless steel drum
- Galvanized sturdy steel casing
- 5 ball bearings to ensure smooth operation and longevity // Durable and silent brushless motor
- Designed for 20 years of domestic use (Tested for 10,000 hours, 160 cycles per year)

Performance

- Butterfly Drying™ for optimal distribution of the load and prevention against bundling
- Quick Pro program - effective drying in just 59 minutes
- Perfect dryness level with auto programs and temperature sensor

Comfort

- Easy to read LCD display // Display of remaining time
- Line concept with program memory function
- 24 hour delayed start // Signal at the end of the program
- 2 US Gal water tank // Full water tank indicator // Connection to drain possible
- Adjustable feet // Possible to stack on an ASKO washing machine
- ASKO Washer can be connected to ASKO dryer - valid for all ASKO washers and all ASKO dryers
- Door is reversible

Programs

- 9-10 programs: Time program, Auto normal dry, Silk and wool, Airing, Auto synthetics, Bedding, Auto dry, Auto iron dry, Auto extra dry, Quick Pro

Options

- Dryness level, Gentle dry, Load size, Delayed start, Anti-crease, Steam finish, Adding to favorite program

Settings

- Child lock, Set language, Sound settings, Display settings, Customize programs, Condensed water, Reset

Safety

- Overheating protection // Overfill prevention // Child safe door

Dimensions

- Appliance dimensions (H x W x D): 33 7/16" x 23 7/16" x 25 3/4" (850 x 595 x 654 mm)
- Length of the power cable: 66 15/16" (1700 mm)

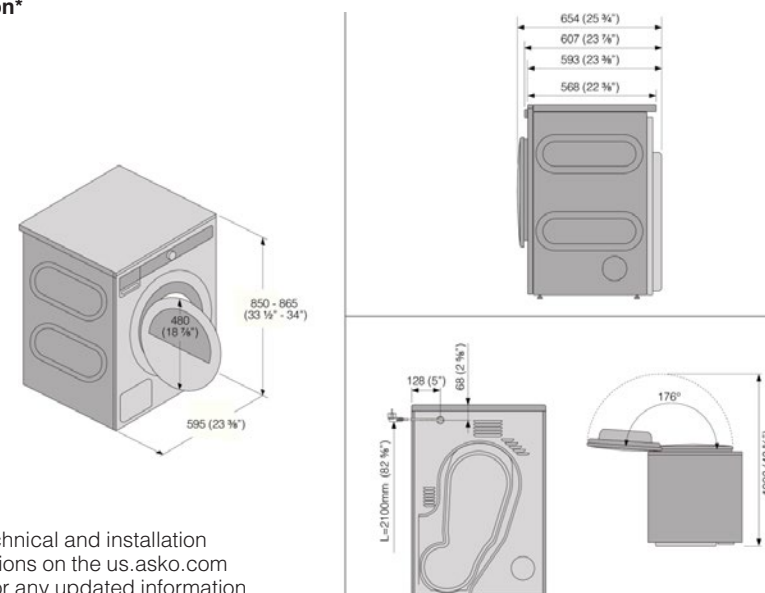
Technical data

- Loading capacity:
- Number of programs:
- Drum volume:
- Noise level (dB(A) re 1 pW):
- Estimated annual energy consumption:
- Electrical requirements:

	Vented	Condenser	Heat Pump
Loading capacity:	17.6 lb	17.6 lb	17.6 lb
Number of programs:	9	9	10
Drum volume:	4.1 cu ft	4.1 cu ft	4.1 cu ft
Noise level (dB(A) re 1 pW):	65 dB(A)	65 dB(A)	64 dB(A)
Estimated annual energy consumption:	260 kWh	335 kWh	280 kWh
Electrical requirements:	208-240 V 60 Hz / 30 A	208-240 V 60 Hz / 30 A	208-240 V 60 Hz / 20 A

- Electrical connection:

Installation*

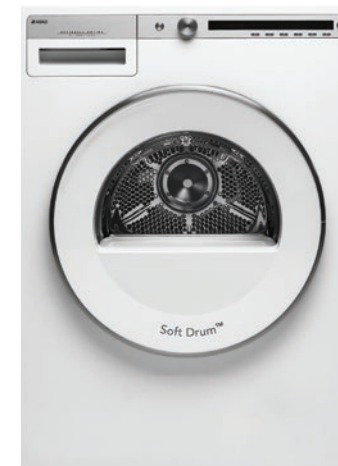


*Check technical and installation specifications on the us.asko.com website for any updated information.

Tumble dryers — Logic



T411VDT
Front-loaded tumble dryer
Titanium // Loading capacity: 24.3 lb
Vented



T411VDW
Front-loaded tumble dryer
White // Loading capacity: 24.3 lb
Vented



T411HSW
Front-loaded tumble dryer
White // Loading capacity: 24.3 lb
Heat Pump/Steam

Drying without bundling: Butterfly Drying™, **Low noise and long life-time:** brushless motor, **Low energy consumption:** Heat pump system, **Effective lint protection for heat pump system:** Multi filter system, **Easy installation**



Features

- Hygienic and durable stainless steel drum
- Galvanized sturdy steel casing
- 5 ball bearings to ensure smooth operation and longevity // Durable and silent brushless motor
- Designed for 20 years of domestic use (Tested for 10000 hours, 160 cycles per year)

Performance

- Butterfly Drying™ for optimal distribution of the load and prevention against bundling
- Quick Pro program - effective drying in just 59 minutes
- Extra careful drying for silk and wool
- Perfect dryness level with auto programs and temperature sensor

Comfort

- Easy to read LCD display // Display of remaining time
- Line concept with program memory function
- 24 hour delayed start // Signal at the end of the program
- 2 US Gal water tank // Full water tank indicator // Connection to drain possible
- Adjustable feet // Possible to stack on an ASKO washing machine
- ASKO Washer can be connected to ASKO dryer - valid for all ASKO washers and all ASKO dryers
- Door is reversible
- Load Light™ - drum illumination for easier loading and unloading
- Self-cleaning condenser filter

Programs

- 13-16 programs: Auto jeans, Auto normal dry, Auto down, Auto synthetics, Auto dry, Auto iron dry, Auto extra dry, Time program, Silk and wool, Airing, Bedding, Shirts, Quick Pro, Auto terry

Options

- Dryness level, Gentle dry, Load size, Delayed start, Anti-crease, Steam finish, Adding to favorite program

Settings

- Child lock, Set language, Sound settings, Display settings, Customize programs, Condensed water, Reset

Safety

- Overheating protection // Overfill prevention // Child safe door

Dimensions

- Appliance dimensions (H x W x D): 33 7/16" x 23 7/16" x 30 1/4" (850 x 595 x 769 mm)
- Length of the power cable: 66 15/16" (1700 mm)

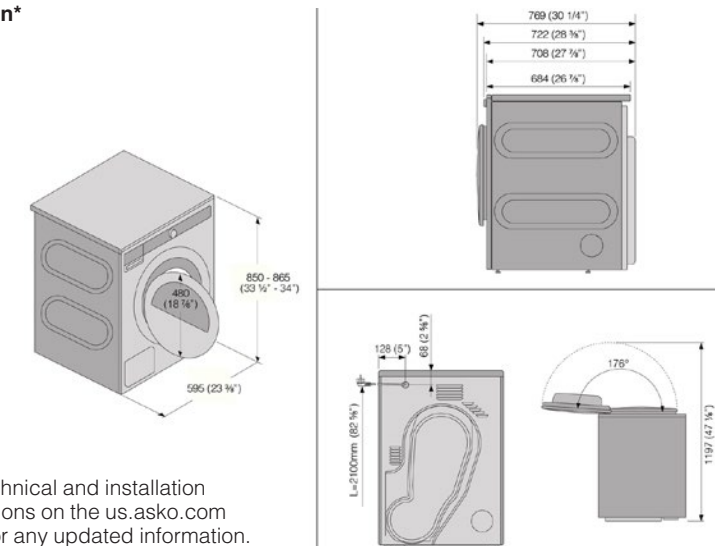
Technical data

- Loading capacity:
- Number of programs:
- Drum volume:
- Noise level (dB(A) re 1 pW):
- Estimated annual energy consumption:
- Electrical requirements:
- Electrical connection:

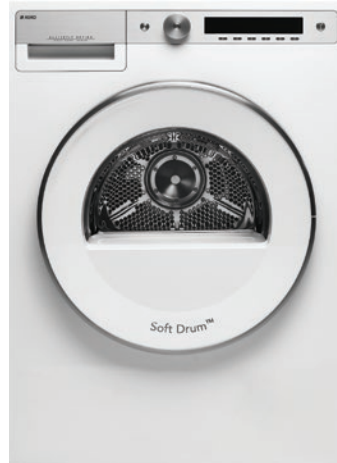
	Vented	Heat Pump
Loading capacity:	24.3 lb	24.3 lb
Number of programs:	13	16
Drum volume:	5.1 cu ft	5.1 cu ft
Noise level (dB(A) re 1 pW):	65 dB(A)	65 dB(A)
Estimated annual energy consumption:	630 kWh	260 kWh
Electrical requirements:	208-240 V / 60 Hz / 30 A	208-240 V / 60 Hz / 20 A

- Units come ready fitted with a 208-240V 30A plug

Installation*



*Check technical and installation specifications on the us.asko.com website for any updated information.



T611VUW
Front-loaded tumble dryer
White // Loading capacity: 24.3 lb
Vented

Tumble dryer — Style

Drying without bundling: Butterfly Drying™, Low noise and long life-time: Brushless motor, Easy installation



Features

- Hygienic and durable stainless steel drum
- Galvanized sturdy steel casing
- 5 ball bearings to ensure smooth operation and longevity // Durable and silent brushless motor
- 20 years of domestic use (Tested for 10,000 hours, 160 cycles per year)

Performance

- Butterfly Drying™ for optimal distribution of the load and prevention against bundling
- Quick Pro program - effective drying in just 59 minutes
- Extra careful drying for silk and wool
- Perfect dryness level with auto programs and temperature sensor

Comfort

- Easy to read LCD display // Display of remaining time
- Line concept with program memory function
- 24 hour delayed start // Signal at the end of the program
- 2 US Gal water tank // Full water tank indicator // Connection to drain possible
- Adjustable feet // Possible to stack on an ASKO washing machine
- ASKO Washer can be connected to ASKO dryer - valid for all ASKO washers and all ASKO dryers
- Door is reversible
- Load Light™ - drum illumination for easier loading and unloading

Programs

- 14 programs: Auto jeans, Auto normal dry, Auto down, Auto synthetics, Auto dry, Auto iron dry, Auto extra dry, Time program, Airing, Bedding, Shirts, SportWash, Quick Pro, Conditioning, Auto terry

Options

- Dryness level, Gentle dry, Load size, Delayed start, Anti-crease, Steam finish, Adding to favorite program

Settings

- Child lock, Set language, Sound settings, Display settings, Customize programs, Condensed water, Reset

Safety

- Overheating protection // Overfill prevention // Child safe door

Dimensions

- Appliance dimensions (H x W x D): 33 7/16" x 23 7/16" x 30 1/4" (850 x 595 x 769 mm)
- Length of the power cable: 66 15/16" (1700 mm)

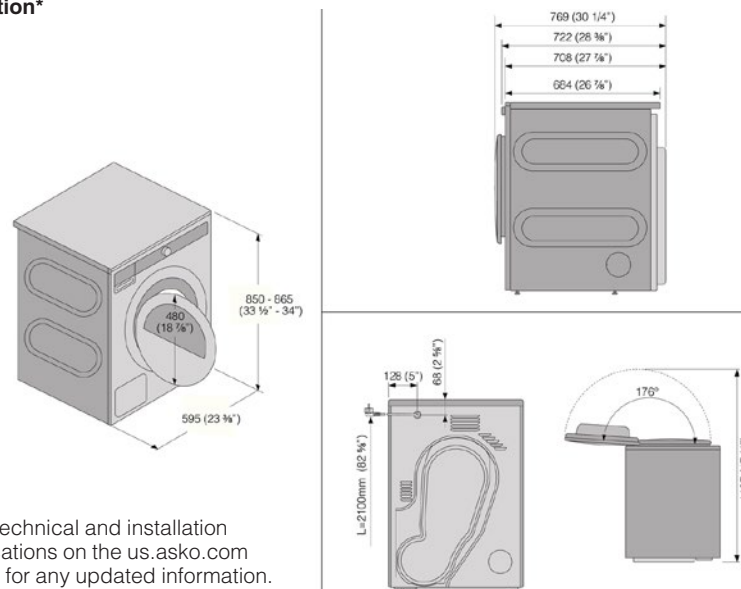
Technical data

- Loading capacity:
- Number of programs:
- Drum volume:
- Noise level (dB(A) re 1 pW):
- Estimated annual energy consumption:
- Electrical requirements:
- Electrical connection:

Vented

- 24.3 lb
- 14
- 5.1 cu ft
- 65 dB(A)
- 630 kWh
- 208-240V / 15A / 60Hz
- Unit comes ready fitted with a 208-240V 30A plug

Installation*



*Check technical and installation specifications on the us.asko.com website for any updated information.

RECOGNITION

International awards

The key elements of Scandinavian design – understated elegance, high quality craftsmanship and natural materials – are reflected in ASKO's design language. And since we design and manufacture household appliances, we're also committed to making them as functional as possible. We want to make your life easier by giving our appliances user-friendly interfaces and plenty of practical functions, and by making them

uncomplicated, long-lasting machines that will remain a joy to use for years to come.

Ever since the 50's when we began our journey as a small producer of appliances, we have been richly awarded for our design, functionality and innovations. Now, almost 70 years later we are proud of the recognition ASKO has received for the premium level of design, quality, and performance

of our products. Below you can find a small collection of some of the awards we have received through the years.

The Red Dot Award ranks amongst the largest, most prestigious, and most well-known design competitions in the world. Since 1995 an international jury has reviewed submitted products based on innovation, functionality, and quality.

Red Dot Award Winner 2019

True to the motto "In search of good design and innovation", the international jury of the Red Dot Award focuses on criteria such as the level of innovation, functionality, formal quality, longevity and ergonomics when

assessing submissions. This year, we are happy and proud to have received an award for ASKO's T600HX Dryers available in two colors and several different specifications.



reddot award 2019
winner

T600HX Dryers

Red Dot Best of the Best Award Winner 2017

We are proud to announce that the new ASKO Pro Home Laundry concept have been awarded with the Red Dot Best of the Best. The winners are from the Logic user interface range; Washing machine W4086C and Tumble dryer T408HD - both available in

our main markets this year. Our designers strategic work over time have again been rewarded by two Red Dot awards – but this time both of them are "best of the best". This is the first time ASKO products have been rewarded best of the best.



reddot award 2017
best of the best

W4086C.W and T408HD.W

Drying Cabinet

Our drying cabinets are very spacious with the equivalent of up to 52 feet of clothesline. The interior is flexible and the intelligent design makes them very easy to adapt and organize for various kinds of laundry. This ensures that you always have the maximum drying effect.

Pairing the drying cabinet next to a stacked washer, hidden helper, and tumble dryer creates the ultimate laundry care center in only 7.6 sq ft of space.



DRYING CABINETS

Why do I need a drying cabinet?

Drying cabinets are common in Scandinavia, where the climate often requires that you can dry all types of clothes quickly, even coarse outerwear and shoes. A drying cabinet is practical but also

gentle on your most sensitive fabrics since it uses no mechanical action that can wear your clothes, the air stream transports residual moisture and it's almost like drying outdoors.



Drying with extra care

Check the labels on your clothes and you'll see that many garments and materials need very careful treatment. Silk, velvet and satin, for example, need to be handled with care. That's when a drying cabinet comes in handy.

Less mess

With a drying cabinet, you can dry your family's sweaters, shirts, coats, shoes, gloves and more in a neat, organized way. It's a brilliant way of taking care of your family's clothes while keeping the house neat and tidy.

Also for shoe care

It's not just rubber boots that can be dried in a drying cabinet. All leather shoes need to rest between each use to allow moisture to escape. If you use them before they have dried, the seams will eventually break and they will lose their fit. Put them in the drying cabinet when you get home from work and they are ready for your evening walk an hour later.



Drying Cabinet

Super gentle and wrinkle-free drying for clothes not possible to tumble dry: Soft air stream, Dry all types of clothes and shoes: Clothes hangers, glove holder, shoe rack



Features

- Super gentle drying of all kinds of fabrics and clothes
- Easy loading and unloading with pull-out hangers which are also foldable
- Special hangers for gloves, socks and linens.
- Special rack for effective drying of shoes
- Energy and time-saving automatic drying programs
- Possible to rehang door - reversible door

Performance

- Loading capacity: 8.8 lbs
- Dewatering capacity: 0.59 oz/min
- Total drying length: 52 1/2 feet
- Fan capacity: 6356 ft³/hour / 180m³/h
- Heating element: 1300 W

Programs

- Auto 104°F Normal Dry: Normal thick garments
- Auto 104°F Extra Dry: Thick garments
- Auto 140°F Normal Dry: Normal thick garments
- Auto 140°F Extra Dry: Thick garments, faster than 104°F
- Manual 86°F: Time-controlled drying program that should be selected for delicate textiles that should not be subjected to temperatures higher than 86°F
- Manual 104°F: Time-controlled drying program for textiles that can be subjected to 104°F.
- Manual 140°F: Time-controlled drying program for textiles that can be subjected to 140°F.
- Manual _ _ : This is a highly energy-efficient drying program without heat, where the washing is dried only by the fan.

Safety and maintenance

- Overheat cut-out
- Easy to clean surfaces and control panel

Dimensions

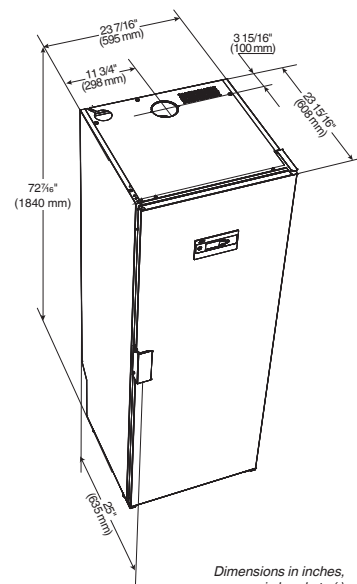
- Product (H x W x D): 72 x 24 x 24 in (1840 x 595 x 605 mm)

Technical data

- | | |
|---|-------------------------|
| ■ Shortest cycle time (Normal dry): 120 min | ■ Drying method: Vented |
| ■ Capacity: 8.8 lbs / 4 Kg | ■ Reversible door: Yes |
| ■ Control : Electronic sensor | ■ Voltage: 120 V |
| ■ Air flow: 6356 ft ³ /hour / 180m ³ /h | ■ Frequency: 60 Hz |
| ■ Noise level: 60 dB | |

DC7784VW
Drying cabinet
White
72"
Vented

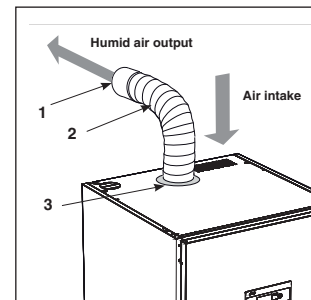
Installation*



Dimensions in inches,
mm in brackets ()

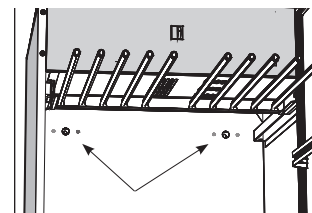
Using an air exhaust ventilation hose is optional

The drying cabinet may be placed in a room with or without an air exhaust ventilation hose. If installing without an air exhaust ventilation hose, the space must be large enough to have sufficient air movement to take the extra humid air. Make sure that new air can enter the space to replace the humid air emitted by the drying cabinet.



Air exhaust hose

Example of an installation with an air exhaust hose.



Wall fastening

The cabinet must be fastened to a wall in order to prevent it from tipping.

*Check technical and installation specifications on the us.asko.com website for any updated information.



Hidden Helpers™

We know that laundry areas often lack folding/working surface as well as storage space. Our Hidden Helpers™ are the assistants you need to make your life much easier. They are the tools you often don't know where to store and which normally take up a lot of floor space in your home. No matter which solution appeals to you, with our Hidden Helpers™ you can create a functional, harmonious overall impression that suits your needs exactly.

Removable rack

A pull-out basket that is easily accessible from the dryer, and has a push-pull door opening with a large removable rack. This is a solution that is useful for removing laundry and carrying it to the wardrobe or workbench for ironing and folding.

Storage and improved ergonomics

A useful storage drawer with a height of 30 cm. Ideal for storing your detergent, softener, coat hangers, pegs, user manuals and other useful items in the laundry area. Place it beneath your washer and dryer and you'll have a better working height when loading and unloading. The drawer also comes with a shelf for more easily loading and unloading of your laundry.

Keep it simple with a shelf and a handy basket

The wire basket and pull-out shelf can be used as an additional surface space when folding clothes and sorting socks - or for storage. The basket can be used to carry your clothes to the wardrobe. Now that's practical!



HIDDEN HELPERS™

Your laundry room just got bigger!

ASKO's Hidden Helpers™ laundry accessories simplify life with convenient and compact storage of laundry accessories. The pull-out basket, ironing board, and double and single shelves

and double and single shelves seamlessly integrate with ASKO washers and dryers, disappearing behind a push/pull door.



Placing it on a pedestal?

Pedestals are metal risers, installed beneath ASKO front-load washers and dryers. Pedestals raise the appliance off the floor, providing greater accessibility and reducing the amount of bending required to load and unload.

Classic Pedestals

HPS5323W

- Pedestal drawer with shelf

HPS5000W

- 12" Height White Pedestal Riser

Compatible White Washers & Dryers:

W2084W, T208VW, T208CW, T208HW



Logic & Style Pedestals

HPS6324W

- 12" Height White Pedestal Riser

Compatible White Washers & Dryers:

W4114CW, W6124XW, T411VDW, T411HSW, T611VUW



HPS6324T

- 12" Height Titanium Pedestal Riser

Compatible Titanium Washers & Dryers:

W4114CT, T411VDT



Pull-Out Basket | Color: White



Description:

- Dimensions (HxWxD): 5 7/8" x 23 1/2" x 23 1/8"
- Maximum Load: 11 lbs
- Installation Type: Integrated

Features:

- Push/Pull opening
- Removable deep wire basket
- Integration with washer and dryer



The deep, steel wire basket aids in unloading and can be easily carried to ironing and folding work surfaces.

Ironing Board | Color: White / Titanium



Description:

- Dimensions (HxWxD): 5 7/8" x 23 1/2" x 23 1/8"
- Maximum Load: 22 lbs
- Installation Type: Integrated

Features:

- Push/Pull opening
- Adjustable telescopic rails
- Hidden ironing board
- Integration with washer and dryer



Built on telescopic rails, the board pulls out and locks into place for ironing, and then safely collapses to invisibly store away when not in use.

Compatible White Washers & Dryers:

W2084W, W4114CW, W6124XW, T208VW, T208CW, T208HW, T411VDW, T411HSW, T611VUW

Compatible Titanium Washers & Dryers:

W4114CT, T411VDT

Double Shelf | Color: White / Titanium



Description:

- Dimensions (HxWxD): 5 7/8" x 23 1/2" x 23 1/8"
- Maximum Load: 22 lbs
- Installation Type: Integrated

Features:

- Push/Pull opening
- Removable wire basket
- Adjustable telescopic rails
- Pull-out shelf
- Integration with washer and dryer



It comes with both a removable wire basket and sturdy, telescopic pull-out shelf, aiding in unloading, folding, and carrying of laundry.

Compatible White Washers & Dryers:

W2084W, W4114CW, W6124XW, T208VW, T208CW, T208HW, T411VDW, T411HSW, T611VUW

Compatible Titanium Washers & Dryers:

W4114CT, T411VDT

Single Shelf | Color: White

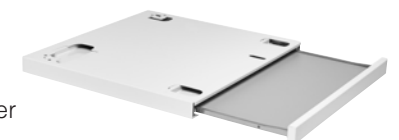
It aids with loading/unloading, sorting, and folding of clothes, and then invisibly stores away when not in use. It is a sleek solution for additional, flexible work space.

Description:

- Dimensions (HxWxD): 2" x 23 1/2" x 22 1/4"
- Maximum Load: 22 lbs
- Installation Type: Integrated

Features:

- Push/Pull opening
- Pull-out shelf
- Integration with washer and dryer



Compatible White Washers & Dryers:

W2084W, T208VW, T208CW, T208HW

 **ASKO**
Inspired by Scandinavia

us.asko.com

ca.asko.com

asko.com/mx