

Monocrystalline Solar PV Module

330 WATTS



AIMS POWER™

9550 Gateway Drive | Reno, NV 89521 775-359-6703

FEATURES



Power and tolerance
0~+3W positive power tolerance guarantee



Resistance to the PID



Stronger surface resistance to mechanical loads
Passed the certification of 6000Pa snow load and 3600Pa wind load



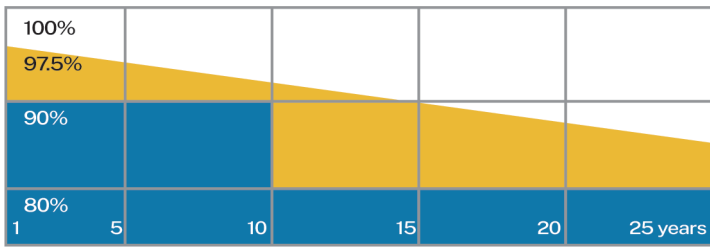
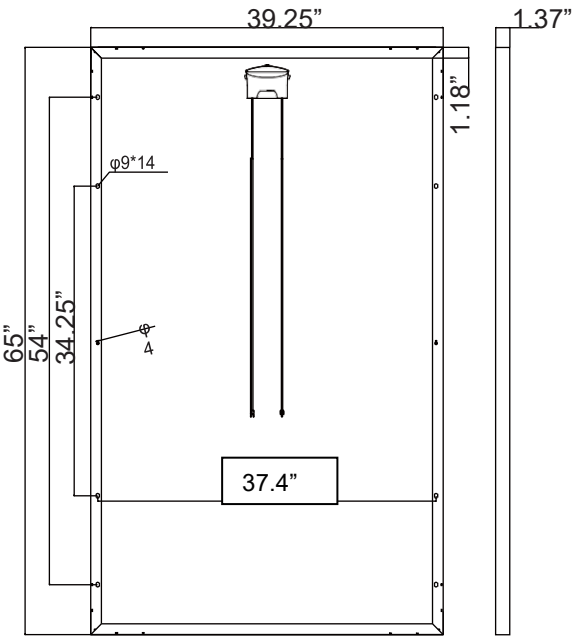
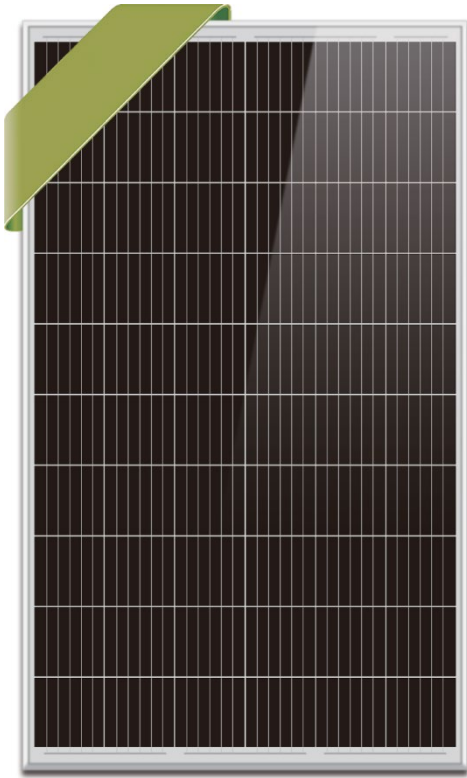
Designed for harsh environments



Hail
Passed a hail test with a diameter of 45mm and a speed of 30.7m/s



Lower temperature coefficient
Better temperature coefficient allows for power attenuation at high temperature



AIMS Power linear power output warranty

Industry quality assurance

12 years of product material and process quality assurance

25 years linear power output warranty



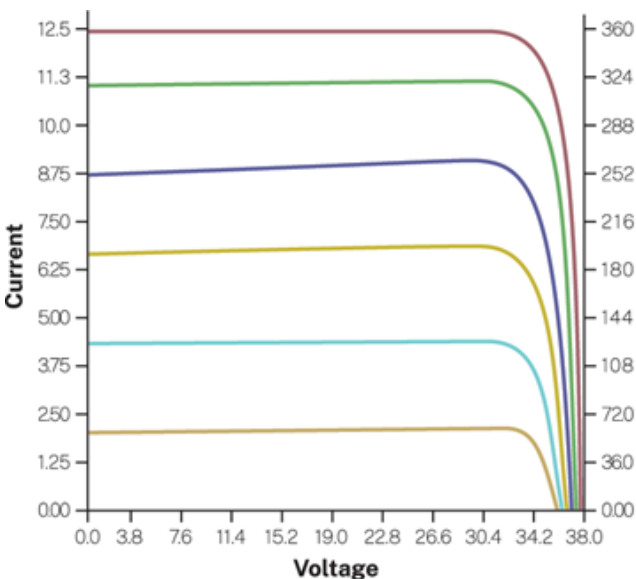
MODEL	PV330MONO
Maximum Power/Pmax(Wp)	330
Optimum Operating Voltage/Vmp(V)	33.9
Optimum Operating Current/Imp(A)	9.73
Open Circuit Voltage/Voc(V)	41.5
Short Circuit Current/Isc(A)	10.22
Cell Efficiency	21.47%
Module Efficiency	19.78%
Power Tolerance	0~+3W
Maximum Series Fuse Rating(A)	20A
Maximum System Voltage	1500VDC

Operating Module Temperature	-40°C to +85°C	°C
Storage Temperature	From -40°C to +85°C	°C
Insulation Cut Voltage	1000	DC
Maximum Wind Resistance	60m/s	N/m ² or max KM/h
Surface Maximum Load Capacity	200	Kg/m ²
Maximum Hail Load Capacity	5mm	80km/h

Nominal Operating Cell Temperature (NOTC)	45±2°C
Temperature Coefficient of Pmax	-0.38%/°C
Temperature Coefficient of Voc	-0.29%/°C
Temperature Coefficient of Isc	-0.048%/°C

Number of cells	60 (10*6)
Cell Dimension(mm)	158.75 * 158.75
Dimension(inch)	65 x 39.25 x 1.37
Weight (lb)	39.7
Frame Material	Clear anodized aluminum frame
Thickness of Glass	3.2mm tempered glass
Frame	Anodized aluminum alloy
Laminating Material	EVA (Light transmittance more than 92%)
Backsheet Material	TPT (High weather resistance)
Junction Box	Ip68 (1500V system voltage available)
Output cable	90cm 2x4.0mm ² MC4 connector (35.5")
Bus Bar	5BB

I-V CURVE



- Sun:1200, Vmp:31.945, Pmax:358.391
- Sun:1000, Vmp:32.500, Pmax:320.028
- Sun:800, Vmp:32.338, Pmax:256.359
- Sun:600, Vmp:32.295, Pmax:190.937
- Sun:400, Vmp:32.116, Pmax:125.597
- Sun:200, Vmp:31.577, Pmax:59.553