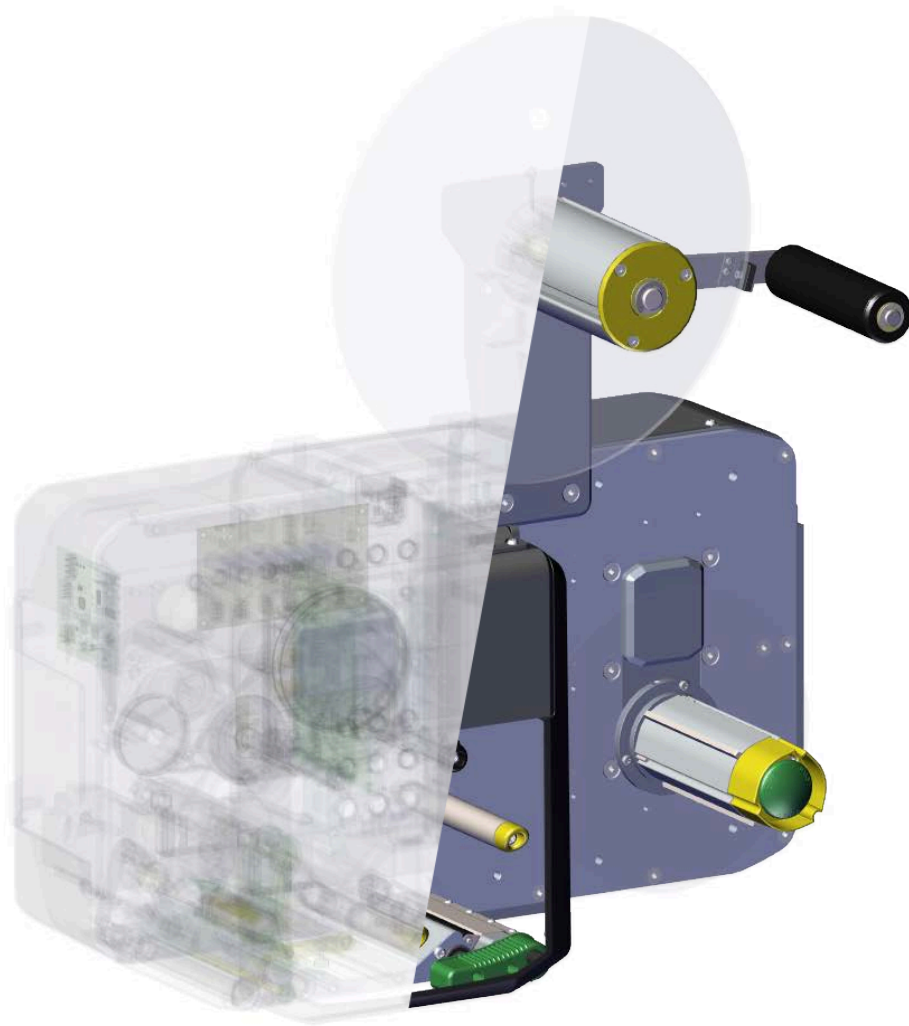


# SPARE PARTS CATALOG

XPA 93x



# Contents

## Spare Parts Representation and Ordering -3

- Ordering notes -3
- Product codes (Exxx-yy) -4

## Spare Parts -5

- Complete Machine -5
  - Overview Unwinders -5
  - Modules & Housing Parts -6
  - Connection Panel -7
- Rewind module -8
  - Rewind Module Complete -8
  - Rewinder (Easy Push) -9
- Print module -10
  - Boards & Operation Panel -10
  - Ribbon Mandrels -11
  - Ribbon Roller -12
  - Draw Roller & Pressure Roller -13
  - Print roller feed -14
  - Print head pressure lever (E480-01, E480-02) -15
  - Print head pressure lever (E480-00) -17
  - Print head & Head lift mechanics -18
  - Label sensor (E480-01, E480-02) -19
  - Label sensor (E480-00) -20
  - Material guides -21
  - Cables & Sensors -23

## Options -26

- Unwinder -26
  - Unwinder "Compact" -26
  - Unwinder Pro 300 for XPA 934 - Expanding Mandrel -27
  - Unwinder Pro 300 for XPA 935/936 - Expanding Mandrel -28
  - Unwinder Pro 300 - Dancer arm -29
  - Unwinder Pro 300 - Brake -31
  - Unwinder Pro 300 - Cable OD control -32
- Dispensing edges & Pressure roller -33
- Remote operation panel -34

## Appendix -35

- Content of small parts kits -35
- Small Standard Parts -36

# Spare Parts Representation and Ordering

## ORDERING NOTES

### Ordering Spare Parts

Each spare part can be identified by matching the figure number with its corresponding ordering code and designation. Please take notice that certain parts are not suitable for all design versions. The entries in the column „Comment“ denote, among other, which parts belong to a certain machine version. Unless otherwise stated in the parts list or requested by the customer, the given quantity for each spare part is 1.

When ordering, please indicate the *complete ordering code* with the *designation* as well as the *quantity*. Only then is it possible to deliver the desired spare parts rapidly and without error.

Please direct your orders to your local NOVEXX Solutions sales partner.

### Drawings (RH/LH)

If the machine is available in both versions, LH and RH, the exploded view drawing always shows the RH version.

The figures shown may deviate from the actual part version. We reserve the right to make alterations without notice.

### Copyright Notice

All rights to this spare parts catalog are assigned to NOVEXX Solutions. Transmission, reprinting or any other means of reproduction of these documents, whether whole or in part, are not allowed without prior written permission. Third parties, in particular competitors, are not to be allowed access to information derived from this catalog.

### Availability of Spare Parts

Each spare part is assigned to one of four categories, depending on the forecasted demand of the part. Each category has a different shorthand, which is put down on top of the appropriate column of the spare parts chart. If the spare part matches one of the categories, it is marked with a „X“ in the appropriate column.

Cat.	Shorth.	Meaning
1	WP	Wear part
2	RSP	Recommended spare part
3	SP	Spare part
4	--	Spare part on request

## PRODUCT CODES (EXXX-YY)

In order to be able to distinguish machines of the same type with different hardware versions, they are provided with a product code.

The product code has the form Exxx-yy with:

xxx	Marking of the machine type
yy	Numbering of the hardware states

The product code is located in the following places:

- Nameplate
- Parameter menu (Info > System > Machine Data > Product code)

|| Does not apply to applicators; the product code in the parameter menu applies to the machine to which the applicator is mounted. ||

In the spare parts catalog, the relevant product code can be found in the "P. Code" column. If a component can be used for all hardware states, "All" is written here.

Example:

P. Code	Explanation
Exxx-01	Part fits machine with hardware version 01
Exxx-02	Part fits machine with hardware version 02
All	Part fits all hardware versions
w/o	Part fits machine w/o product code

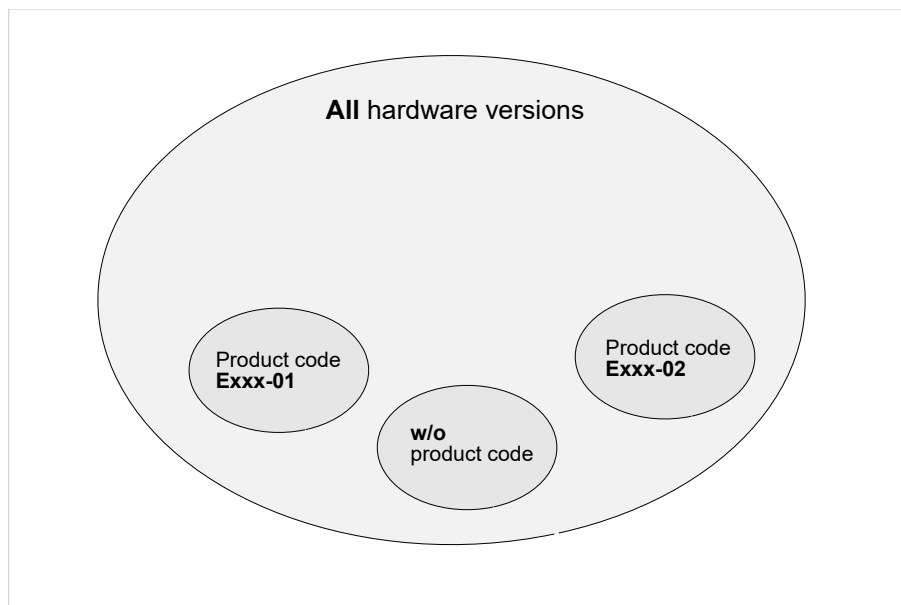


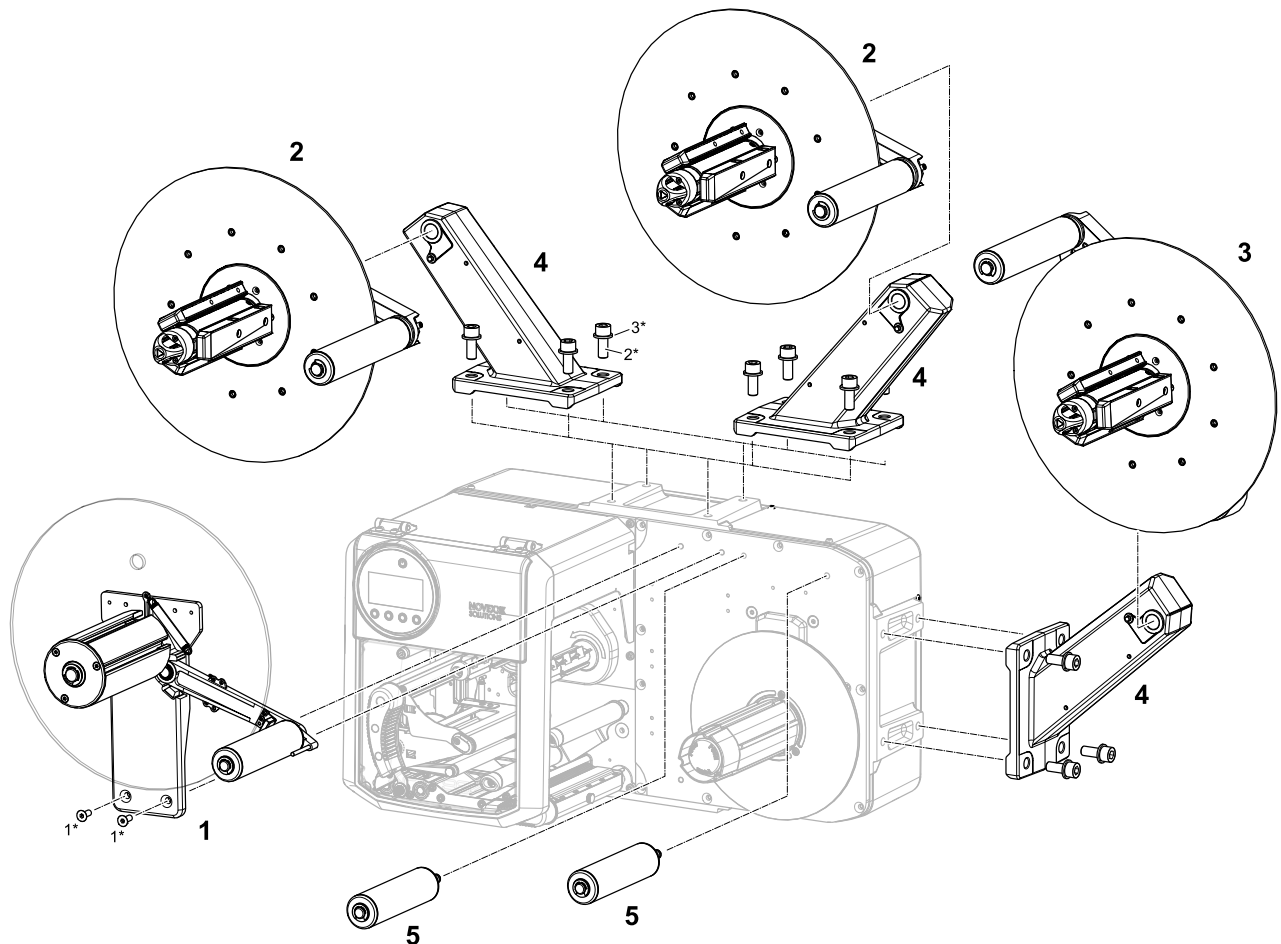
Figure 1: Hardware version schematic.

|| Detailed description of the hardware versions: see service manual, chap. "Product Description" > "Technical data" > "Hardware status / product codes" ||

# Spare Parts

## COMPLETE MACHINE

### Overview Unwinders

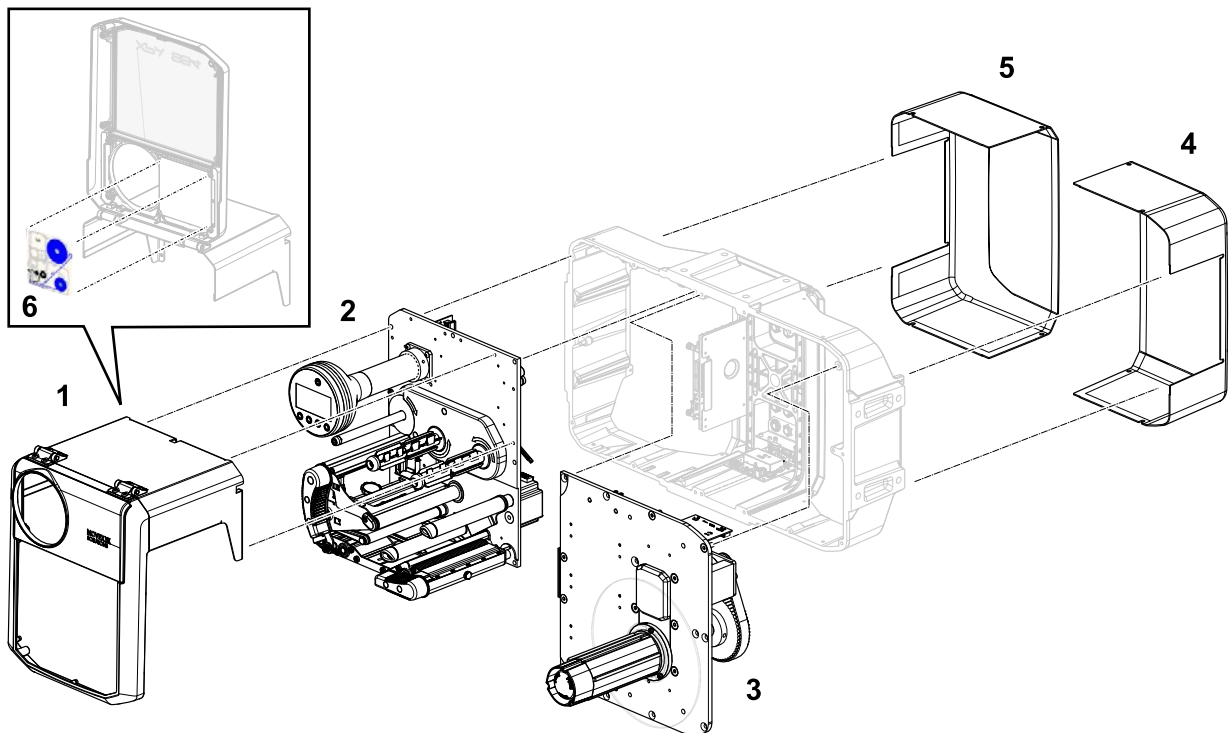


Pos	Designation	Article no.	SP	RSP	WP	Comment	P. code
1	Unwinder "Compact"	N102046 N102207	X			XPA 934 LH (with screws, picture above) XPA 934 RH (with screws) Refer to <b>Unwinder Compact</b> on page 26	All
2	Unwinder "Pro 300"	--				Refer to <b>Unwinder Pro 300 for XPA 934 - Expanding Mandrel</b> on page 27	All
3							All
4	Holder assy.	N101392	X			with screws	All

Pos	Designation	Article no.	SP	RSP	WP	Comment	P. code
5	Deflection roll assy.	N102052 N102572	X			XPA 934 XPA 935/936 For "face-in" wound label roll (unwinder on top) or "face-out" wound label roll (unwinder at side)	All

\*) See list of **Small Standard Parts** on page 36.

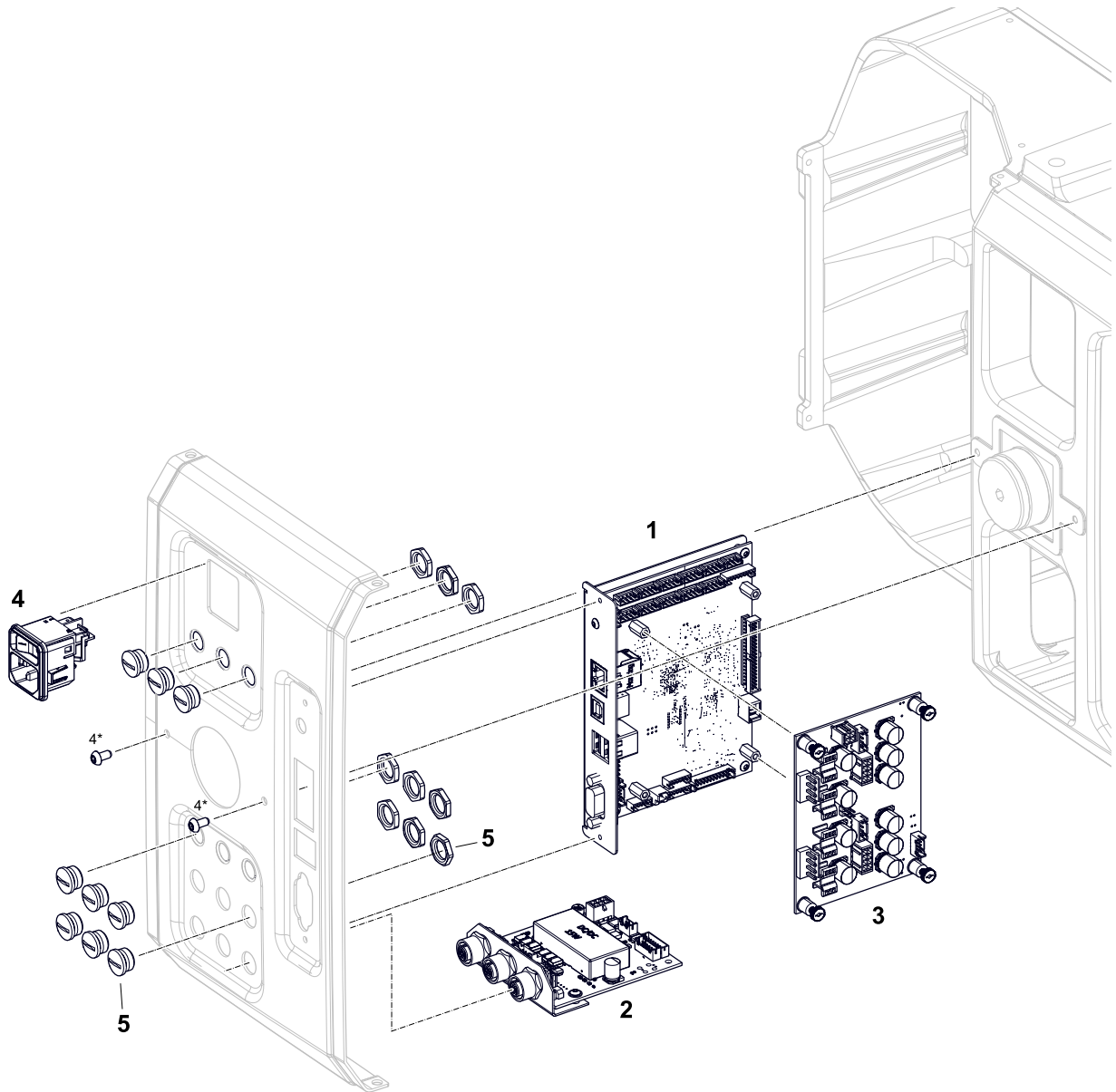
### Modules & Housing Parts



Pos	Designation	Article no.	SP	RSP	WP	Comment	P. code
1	Front cover assy.	N102008 N102526 N102448	X			XPA 934 XPA 935 XPA 936 each LH, with screen	All
		N102268 N102528 N102460	X			XPA 934 XPA 935 XPA 936 each RH, with screen	All
2	Print module	--				Refer to <b>Print module</b> on page 10	All
3	Rewind module	--				Refer to <b>Rewind module</b> on page 8	All
4	Rear cover	N101232	X			Rewinder side	All
5	Rear cover	N101231	X			Print module side	All

Pos	Designation	Article no.	SP	RSP	WP	Comment	P. code
6	Sticker winding diagram	N102210 N102211	X			LH RH	Alle

### Connection Panel



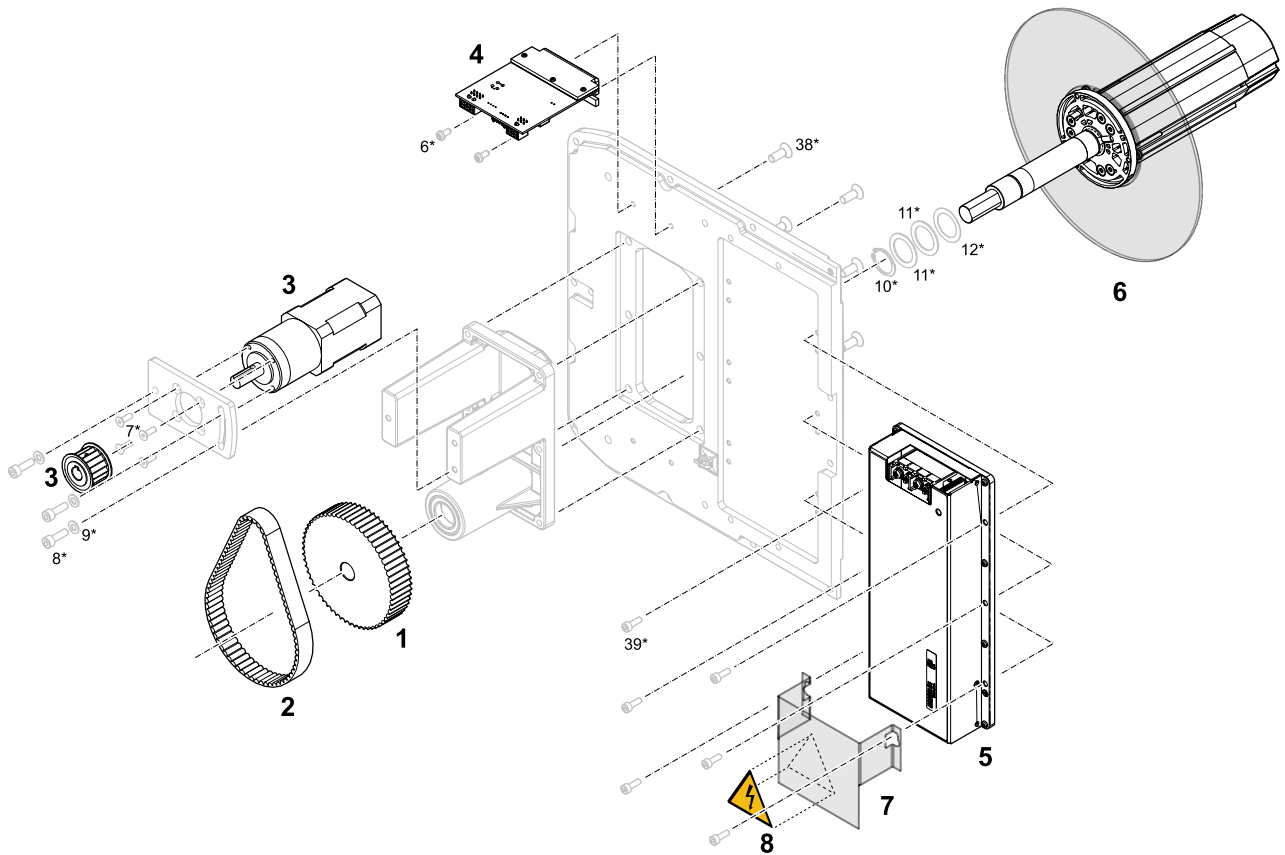
Pos	Designation	Article no.	SP	RSP	WP	Comment	P. code
1	CPU board	N101605	X			Also refer to chapter <b>Cables &amp; Sensors</b> on page 23	All
2	BasicIO board	N101381	X		All		
3	4-fold motor output stage board	N101377	X		All		
4	Mains socket	N101468	X		All		

Pos	Designation	Article no.	SP	RSP	WP	Comment	P. code
5	Dummy plug kit	N103866	X			1 dummy plug with O-ring and nut	All

\*) See list of **Small Standard Parts** on page 36.

## REWIND MODULE

### Rewind Module Complete



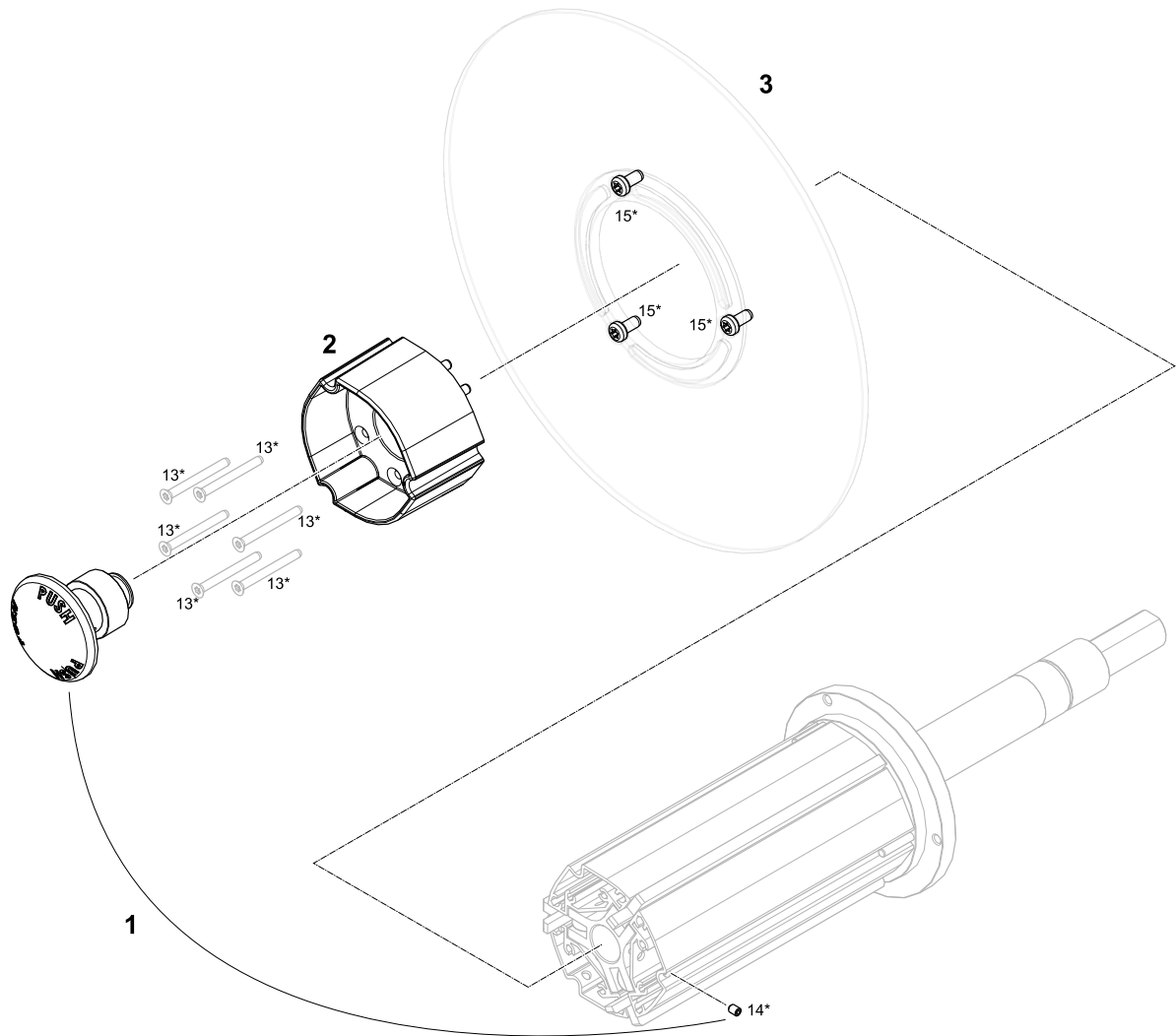
Pos	Designation	Article no.	SP	RSP	WP	Comment	P. Code
1	T-belt pulley kit	N102160	X			with set screws	All
2	T-belt	N101986	X	X	X	HTD 5M 15	All
3	Motor kit	N102159	X			with T-belt pulley, set screws and feather key	All
4	Output stage board for BLDC motor	N101378	X				All
5	Power pack	N101247	X				All
6	Rewriter	N101333 N102385	X X			XPA 934 XPA 935/936 Refer to <b>Rewriter (Easy Push)</b> on page 9	All



Pos	Designation	Article no.	SP	RSP	WP	Comment	P. Code
7	Plastic plate	N103975	X				E480-01
8	Warning label electrical voltage	N103776	X				E480-01

\*) See list of **Small Standard Parts** on page 36.

### Rewinder (Easy Push)

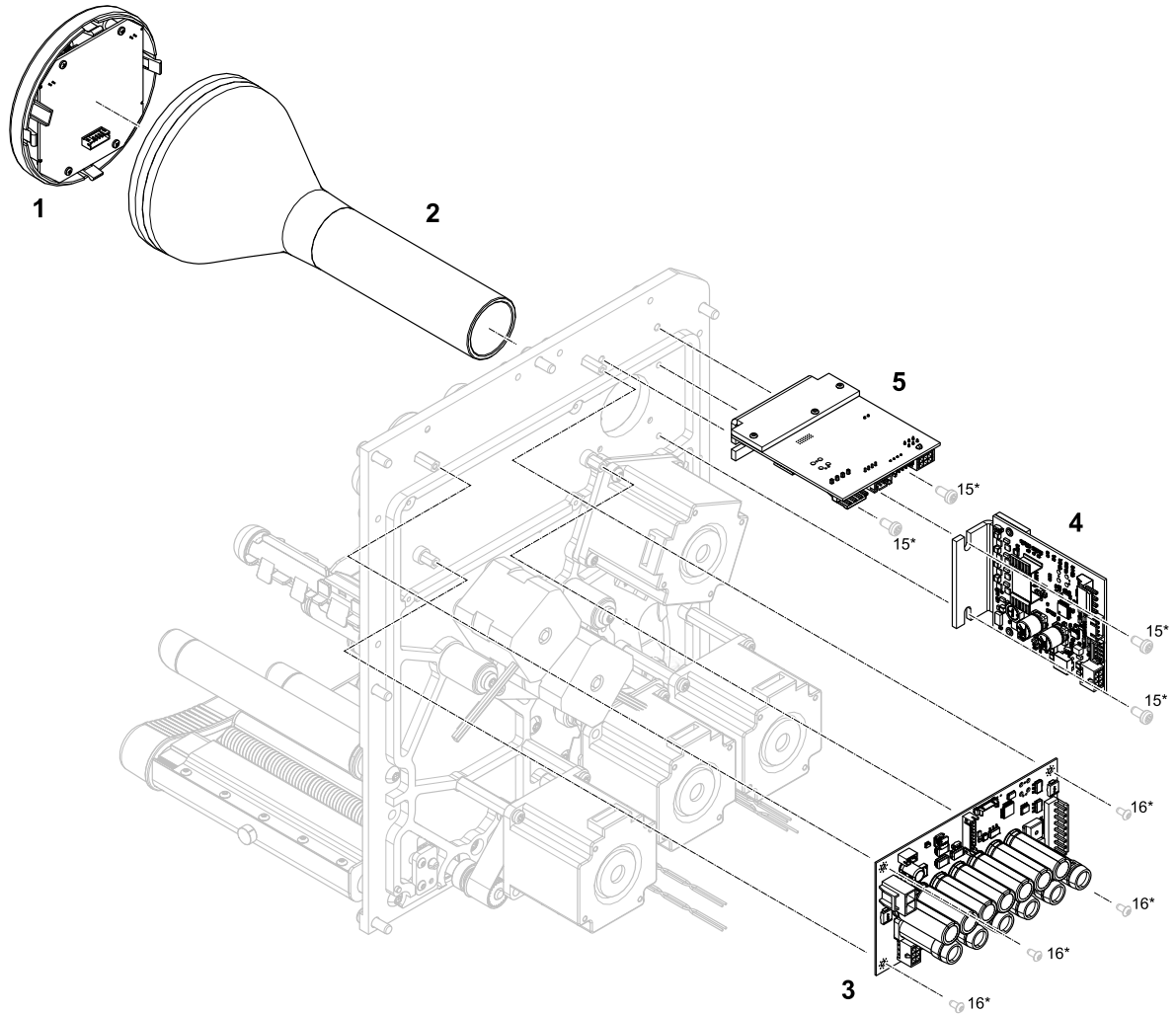


Pos	Designation	Article no.	SP	RSP	WP	Comment	P. code
1	Button kit	N101568	X			with set screw	All
2	Closing cover	N101337	X				All
3	Guide disc kit	N101569	X			with screws	All

\*) See list of **Small Standard Parts** on page 36.

# PRINT MODULE

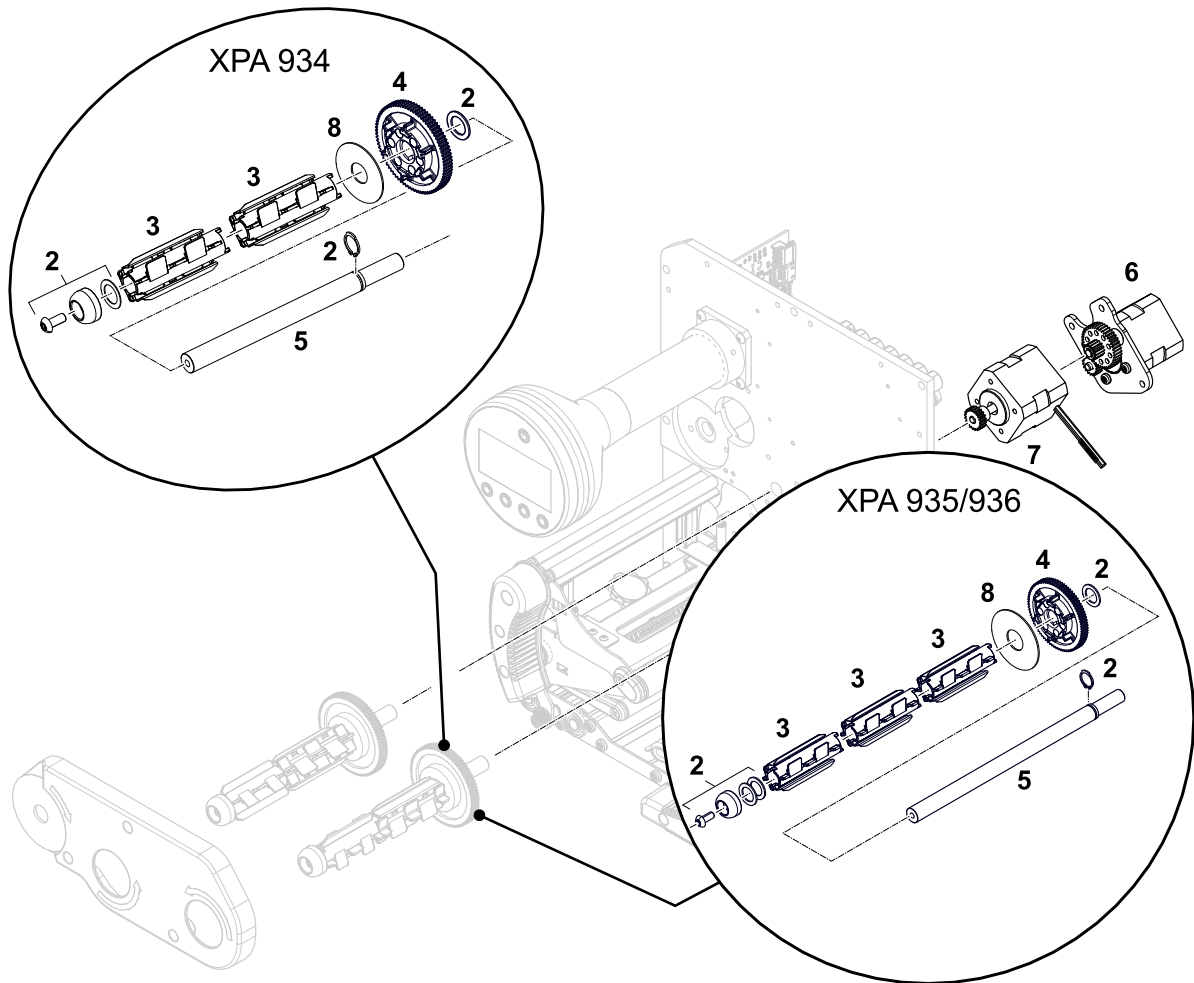
## Boards & Operation Panel



Pos	Designation	Article no.	SP	RSP	WP	Comment	P. Code
1	Operation panel assy.	N101898	X	X			All
2	Operation panel housing assy.	N101894 N102430	X			XPA 934 XPA 935/936	All
3	Distribution board	N103643	X			Requires at least firmware BEL-V4.2	All
4	Output stage board for stepper motor	N101379	X			From index 003, at least Fw. BEL-V6.0 mandatory	All
5	Output stage board for stepper motor	N101379	X			From index 003, at least Fw. BEL-V6.0 mandatory Position in machines with optional ribbon saving function	All

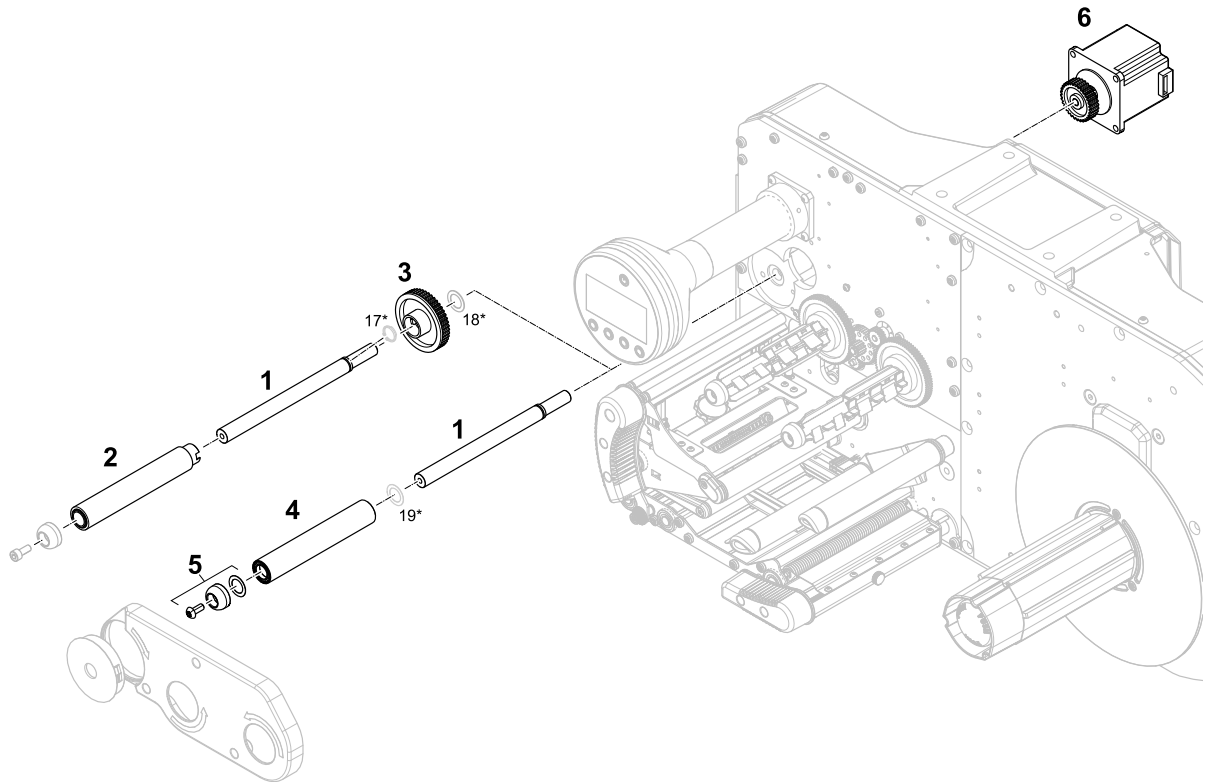
\*) See list of **Small Standard Parts** on page 36.

Ribbon Mandrels



Pos	Designation	Article no.	SP	RSP	WP	Comment	P. code
2	Small parts kit	N102149	X			Content see <b>N102149</b> on page 36	All
3	Ribbon core adapter inside assy.	N100019	X	X	X		All
4	Toothed wheel	N103628 N101419	X				E480-00 E480-01
5	Steel axis	N101976 N102415	X			XPA 934 XPA 935/936	All
6	Drive assy.	N102003	X			LH	All
		N102293	X			RH	All
7	Ribbon unwinding motor assy.	N102002	X				All
8	Steel disk	N102610	X			Only part of the <i>unwinding</i> mandrel	E480-00

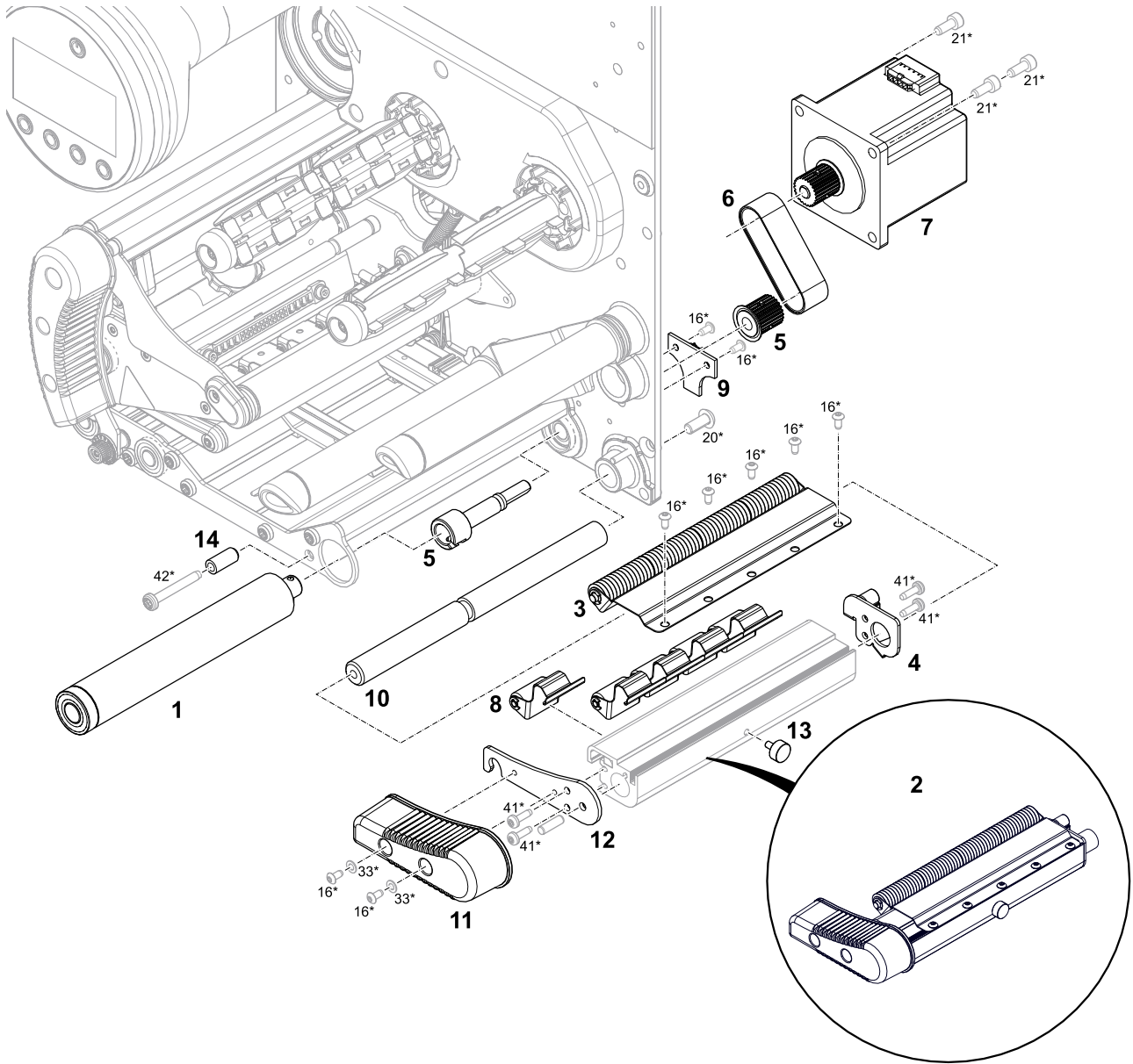
Ribbon Roller



Pos	Designation	Article no.	SP	RSP	WP	Comment	P. Code
1	Steel axle	N101976 N102415	X			XPA 934 XPA 935/936	All
2	Steel tube with coating assy.	N102564 N102604	X	X	X	XPA 934 XPA 935/936 Only in machines with opt. ribbon saving function	All
3	Toothed wheel ribbon drive	N102565	X			Only in machines with opt. ribbon saving function	All
4	Roller assy.	N102569 N102432	X			XPA 934 XPA 935/936	All
5	Small parts kit	N102149	X				All
6	Stepper motor assy.	N102562 N103180	X			Only in machines with opt. ribbon saving function	E480-00 E480-01

\*) See list of **Small Standard Parts** on page 36.

Draw Roller & Pressure Roller

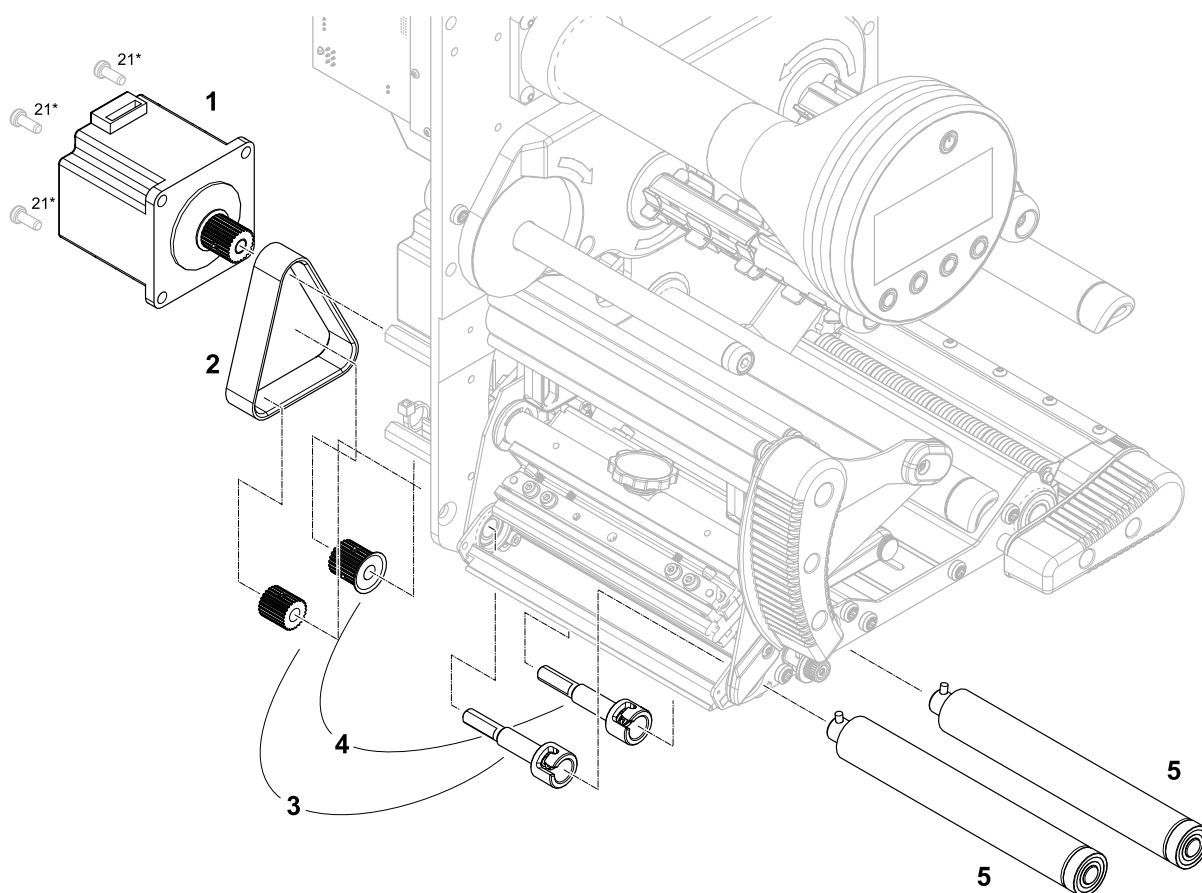


Pos	Designation	Article no.	SP	RSP	WP	Comment	P. Code
1	Roller assy.	N102000 N102445	X	X	X	XPA 934 XPA 935/936	All
2	Draw unit assy.	N101937 N102409	X			XPA 934 LH XPA 935/936 LH Including axis	All
		N102300 N102461	X			XPA 934 RH XPA 935/936 RH Including axis	All
3	Contact pressure spring assy.	N101923 N102407	X			XPA 934 XPA 935/936	All
4	Magnet assy.	N102033 N102202	X			LH RH	All

Pos	Designation	Article no.	SP	RSP	WP	Comment	P. Code
5	Clutch kit	N102150	X			Clutch + t-belt pulley	All
6	T-belt	N101910	X	X		15-S2M-126-NG	All
7	Motor assy.	N102032 N103645	X				E480-00 E480-01
8	Pressure roller bottom side assy.	N101928	X				All
9	Hall sensor switch	N102511	X				E480-01
10	Swing axle	N101919 N102408	X			XPA 934 XPA 935/936	All
11	Plastic handle	N101913 N102261	X			LH RH	All
12	Steel lever drive unit	N101914	X				All
13	Knurled screw	A6584	X				All

\*) See list of **Small Standard Parts** on page 36.

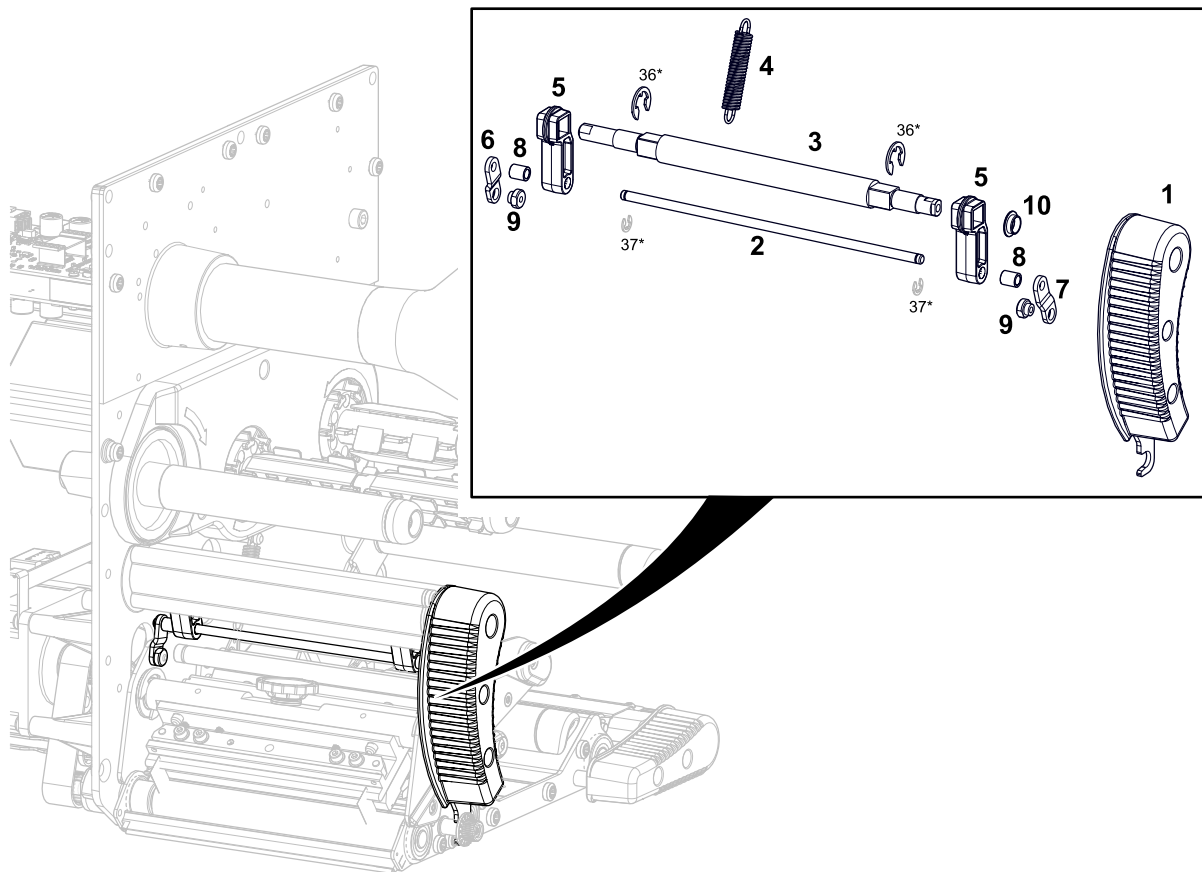
### Print roller feed



Pos	Designation	Article no.	SP	RSP	WP	Comment	P. code
1	Stepper motor assy.	N102032 N103645	X				E480-00 E480-01
2	T-belt	A6914	X	X		15-S2M-202-NG	All
3	Clutch kit	N104010	X			Clutch + t-belt pulley for print roller	All
4	Clutch kit	N102150	X			Clutch + t-belt pulley for feed roller	All
5	Silicone roller assy.	N101907 N102443	X	X	X	XPA 934 XPA 935/936	All

\*) See list of **Small Standard Parts** on page 36.

### Print head pressure lever (E480-01, E480-02)



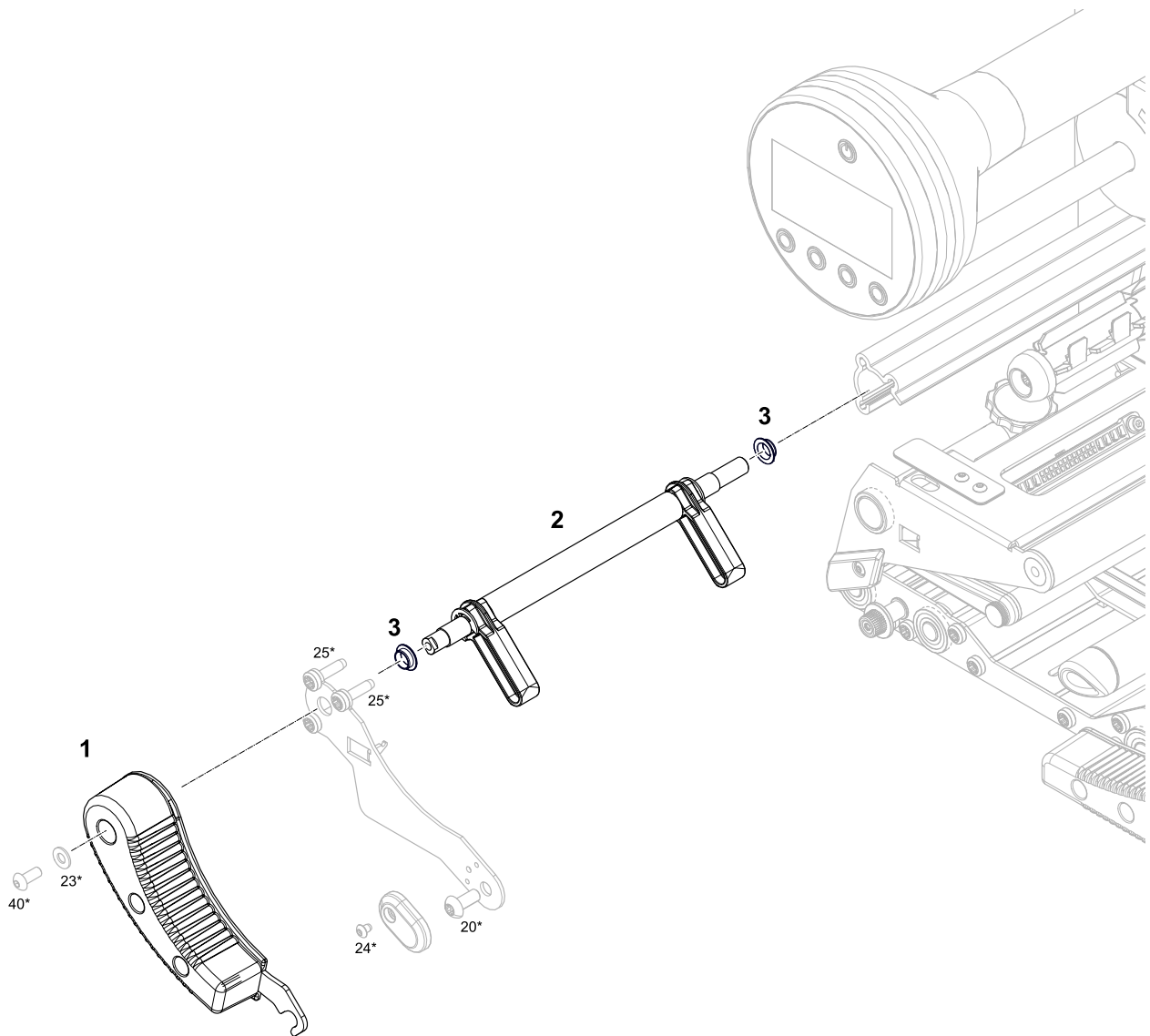
Pos	Designation	Article no.	SP	RSP	WP	Comment	P. code
1	Swing arm lever assy.	N103724	X			XPA 93x LH	E480-01
		N103725	X			XPA 93x RH	E480-02
2	Bending rod	N103351 N103388	X			XPA 934 XPA 935/936	E480-01 E480-02

Pos	Designation	Article no.	SP	RSP	WP	Comment	P. code
3	Axle	N103278 N102422	X			XPA 934 XPA 935/936	E480-01 E480-02
4	Tension spring	A7889	X				E480-01 E480-02
5	Cam	N103353	X				E480-01 E480-02
6	Push plate inside	N103983	X				E480-01 E480-02
7	Push plate outside	N103355	X				E480-01 E480-02
8	Spacer ring	N103365	X				E480-01 E480-02
9	Stud	N103360	X				E480-01 E480-02
10	Bearing	N101942	X				E480-01 E480-02

\*) See list of **Small Standard Parts** on page 36.



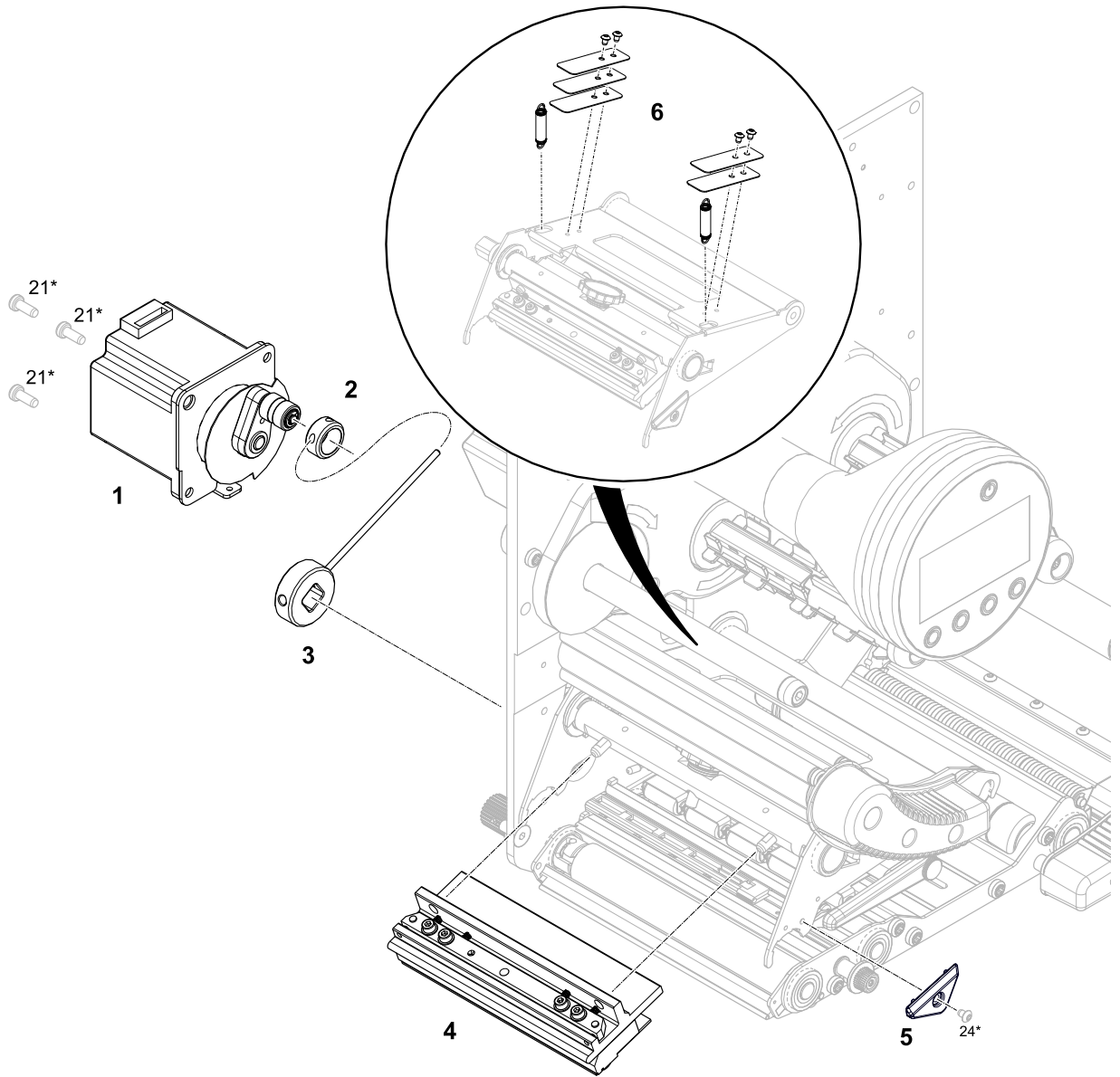
Print head pressure lever (E480-00)



Pos	Designation	Article no.	SP	RSP	WP	Comment	P. Code
1	Swing arm lever assy.	N101915	X			LH	E480-00
		N102267	X			RH	E480-00
2	Contact pressure axis assy.	N102043 N102489	X			XPA 934 LH XPA 935/936 LH	E480-00
		N102357 N102490	X			XPA 934 RH XPA 935/936 RH	E480-00
3	Igus bushing	N101942	X				E480-00

\*) See list of **Small Standard Parts** on page 36.

Print head & Head lift mechanics

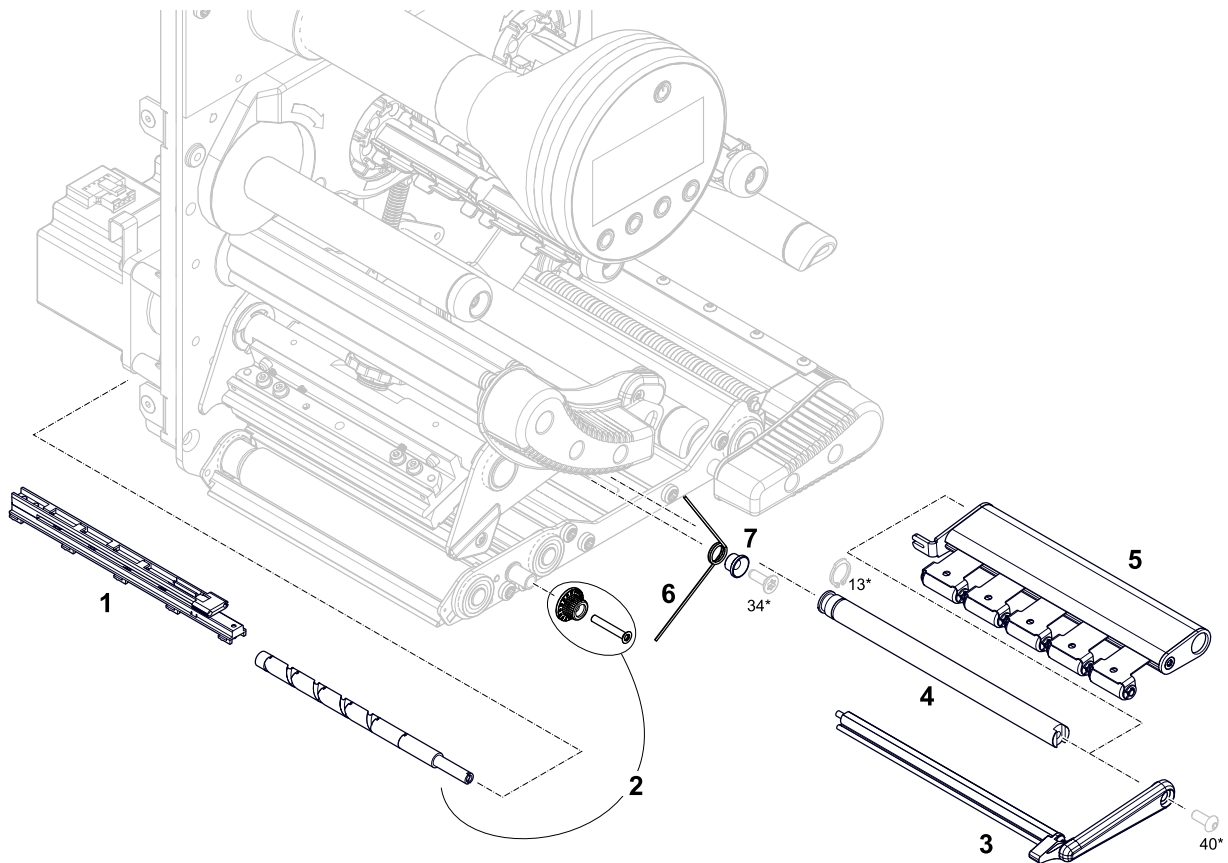


Pos	Designation	Article no.	SP	RSP	WP	Comment	P. Code
1	Head lift motor assy.	N102041 N103660	X			LH	E480-00 E480-01
		N102290 N103657	X			RH	E480-00 E480-01
2	Plastic ring	N101950	X				All
3	Holding ring assy.	N102045	X				All
4	Print head assy.	N102006 N102397 N102395 N102391		X	X	XPA 934 XPA 935 LH XPA 935 RH XPA 936	All
5	Edge protection	N102800 N102801	X			LH RH	All

Pos	Designation	Article no.	SP	RSP	WP	Comment	P. Code
6	Spring kit	N102151	X			XPA 934: Use tension spring with thin wire XPA 935/936: Use tension spring with thick wire	E480-00

\*) See list of **Small Standard Parts** on page 36.

### Label sensor (E480-01, E480-02)

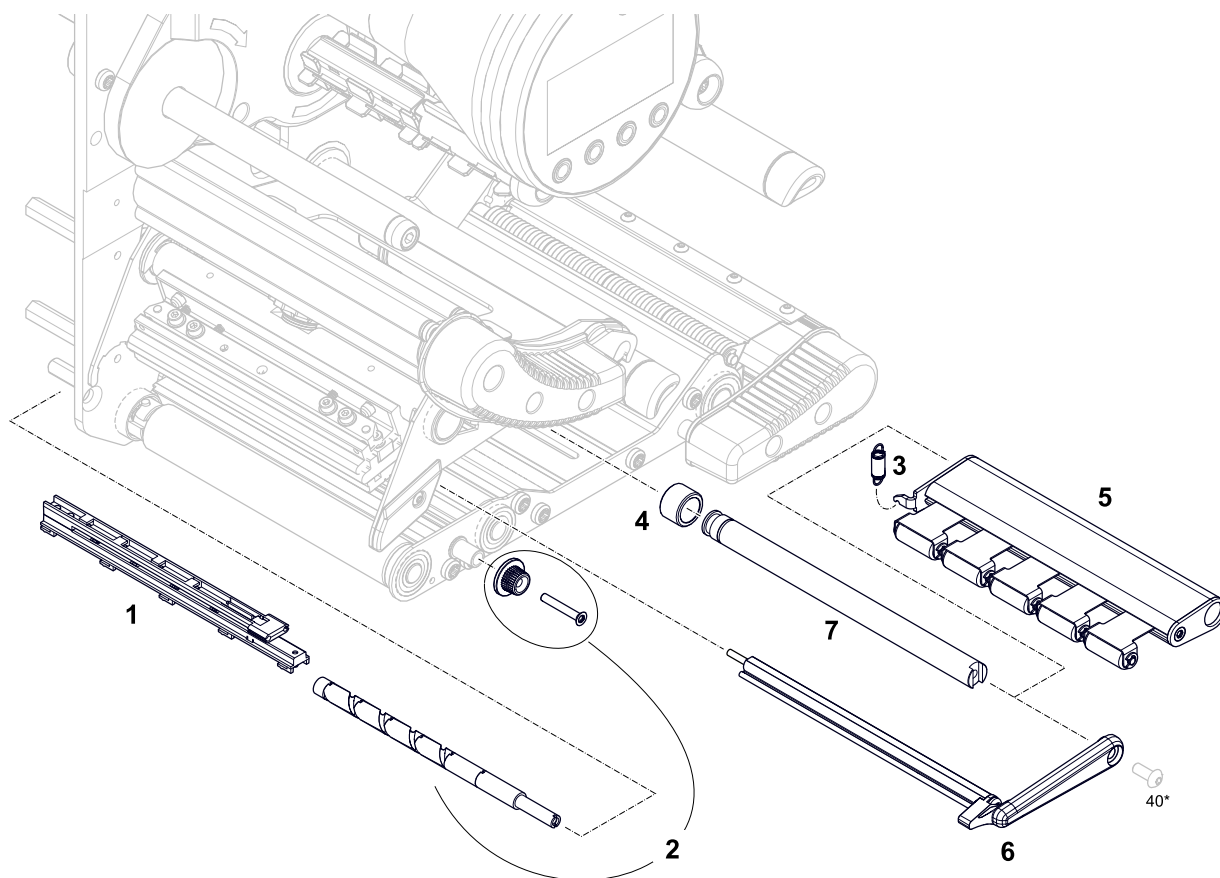


Pos	Designation	Article no.	SP	RSP	WP	Comment	P. code
1	Labelsensor fork	N101461 N103533	X			Punch/gap sensor Punch/gap/reflex sensor (bottom side)	E480-01 E480-02
2	Spindle kit	N102152 N102787	X			XPA 934 XPA 935/936 in each case spindle + rotary knob + screw	E480-01 E480-02
3	Guide profile assy.	N102154 N102788 N103779 N103780	X			XPA 934 LH XPA 935/936 LH XPA 934 RH XPA 935/936 RH	E480-01 E480-02

Pos	Designation	Article no.	SP	RSP	WP	Comment	P. code
4	Steel shaft pressure unit	N101964 N102421	X			XPA 934 XPA 935/936	E480-01 E480-02
5	Aluminium profile material contact pressure assy.	N103445 N103436	X			XPA 934 LH XPA 935/936 LH	E480-01 E480-02
		N103973 N103976	X			XPA 934 RH XPA 935/936 RH	
6	Torsion spring	N103067 N103651	X			LH RH	E480-01 E480-02
7	Steel sleeve	N103066	X				E480-01 E480-02

\*) See list of **Small Standard Parts** on page 36.

### Label sensor (E480-00)

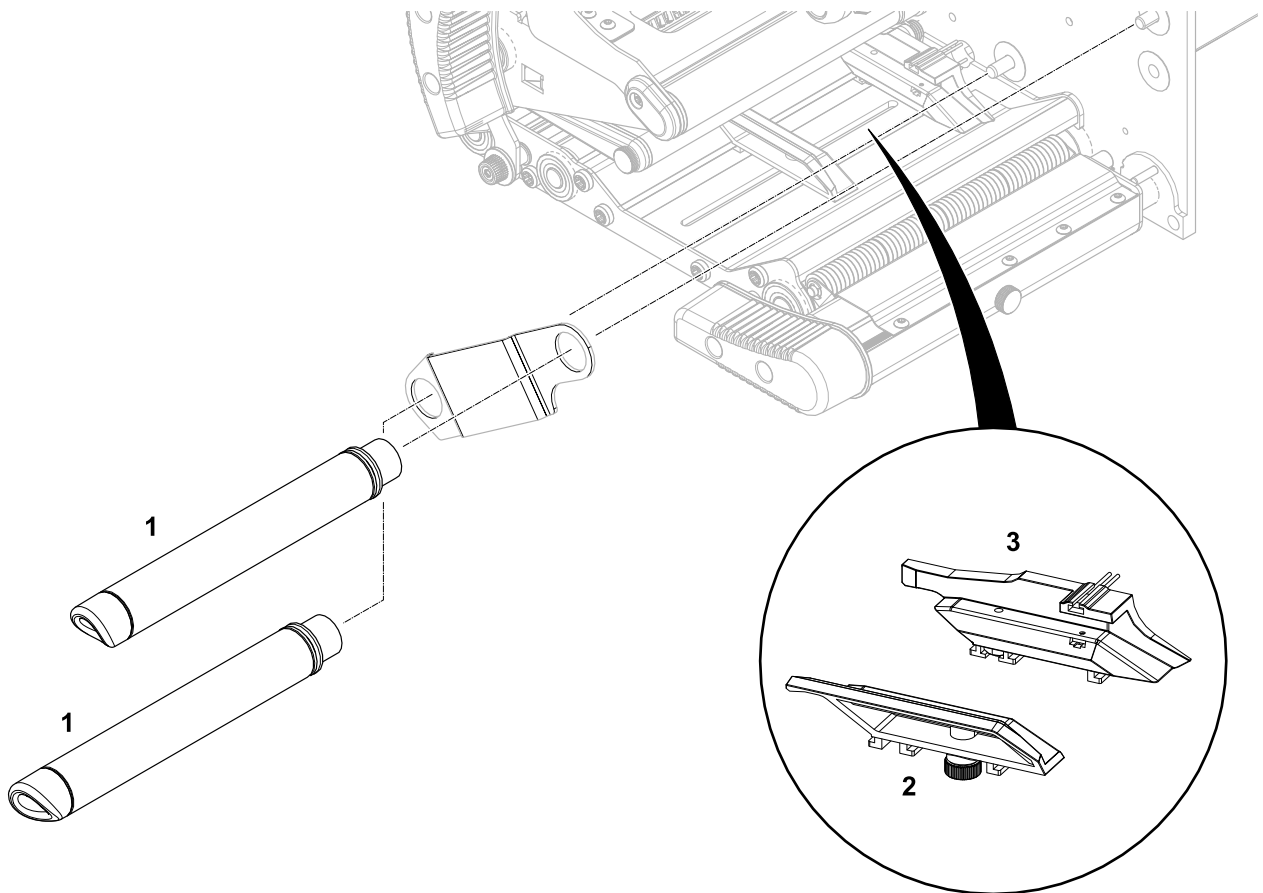


Pos	Designation	Article no.	SP	RSP	WP	Comment	P. Code
1	Labelsensor fork	N101461	X				E480-00
2	Spindle kit	N102152 N102787	X			XPA 934 XPA 935/936 Spindle + rotary knob + screw	E480-00

Pos	Designation	Article no.	SP	RSP	WP	Comment	P. Code
3	Tension spring	N101967	X				E480-00
4	Spacer bushing	N101965	X				E480-00
5	Aluminium profile material contact pressure assy.	N102042 N102485	X			XPA 934 LH XPA 935/936 LH	E480-00
		N102356 N102486	X			XPA 934 RH XPA 935/936 RH	E480-00
6	Guide profile assy.	N102154 N102788 N103779 N103780	X			XPA 934 LH XPA 935/936 LH XPA 934 RH XPA 935/936 RH	E480-00
7	Steel shaft pressure unit	N101964 N102421	X			XPA 934 XPA 935/936	E480-00
8	Steel sleeve	N103066	X				E480-00
9	Torsion spring	N103067	X				E480-00

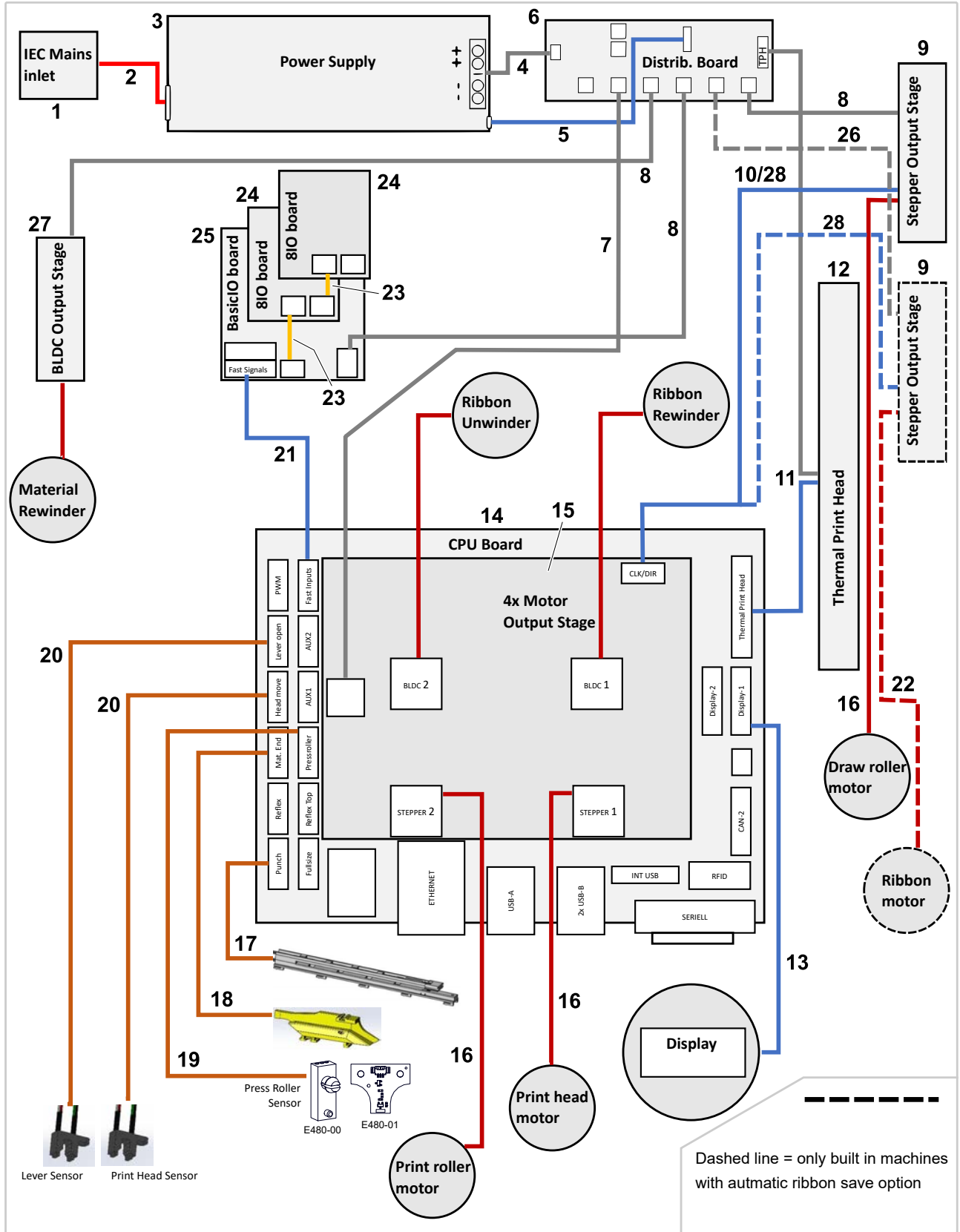
\*) See list of **Small Standard Parts** on page 36.

### Material guides



Pos	Designation	Article no.	SP	RSP	WP	Comment	P. code
1	Deflection roller kit	N102155 N102789	X			XPA 934 XPA 935/936	All
2	Outer material guiding assy.	N101969	X			LH, with thumb screw + washer	All
		N102311	X			RH, with thumb screw + washer	All
3	Inner material guiding assy.	N101492	X			LH	All
		N102314	X			RH	All

**CABLES & SENSORS**



Pos	Designation	Article no.	SP	RSP	WP	Comment	P. code
1	Mains socket	N101468	X				All
2	Mains cable	N101812	X				All
3	Power pack	N101247	X				All
4	Cable power pack - distribution board	N101802	X				All
5	Cable power pack - CPU board	N101803	X				All
6	Distribution board	N103643	X			Requires at least firmware 4.2	All
7	Cable CAN bus + MCB supply	N101809	X			Marking "MCB"	All
8	Cable CAN bus + Board supply	N101806	X				All
9	Output stage board for stepper motor	N101379	X			From index 003, at least Fw. BEL-V6.0 mandatory	All
10	Cable output stage board stepper motor - 4-fold motor output stage board	N103105	X				All
11	Print head cable	N101827	X			LH	All
		N102246	X			RH	All
12	Print head	N102006 N102397 N102395 N102391	X			XPA 934 XPA 935 LH XPA 935 RH XPA 936	All
13	Cable CPU board - operation panel	N103695	X				All
14	CPU board	N101605	X				All
15	4-fold motor output stage board	N101377	X				All
16	Cable stepper motor	N101805 N103096	X			XPA 93x XPA 93x Facelift Cable for connection of print head or feed motor	E480-00 E480-01
17	Labelsensor fork	N101461	X				All
18	Inner material guiding	N101492	X			LH, with material end sensor	All
		N102314	X			RH, with material end sensor	All
19	Cable hall switch - CPU board	N101464	X				All
20	Fork-shape light barrier	N102689	X			Print head sensor or pressure lever sensor	All
21	Cable BasicIO board - CPU board	N101811	X				All

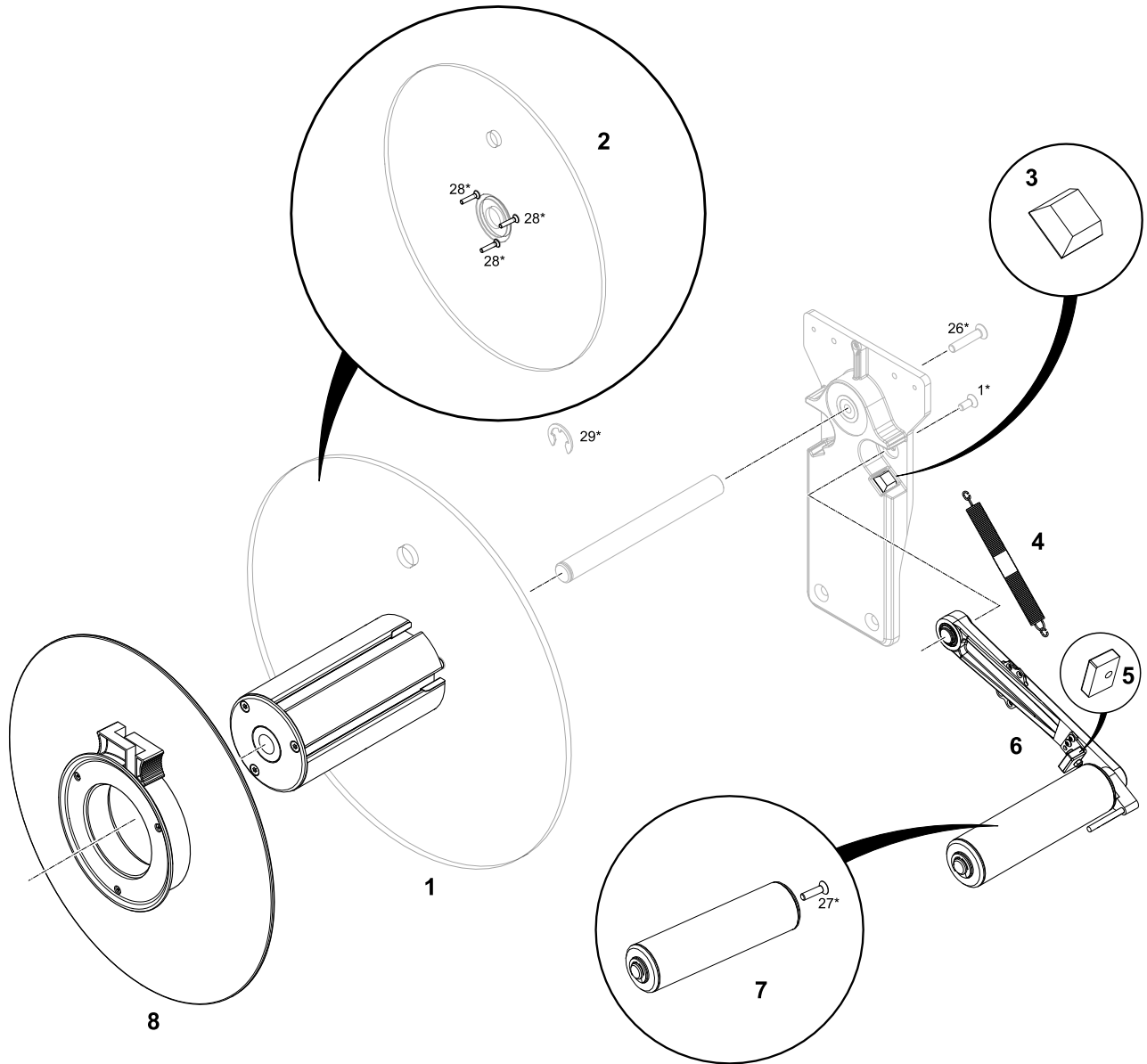


Pos	Designation	Article no.	SP	RSP	WP	Comment	P. code
22	Kabel Schrittmotor	N103109 N103210	X			XPA 93x XPA 93x Facelift Cable for connection of ribbon motor, only for machines with automatic ribbon save option	E480-00 E480-01
23	Cable BasicIO board - 8IO board	N101810	X				All
24	8IO board	N101382	X			From index 003, at least Fw. BEL-V6.0 mandatory	All
25	BasicIO board	N101381	X			From index 002, at least Fw. BEL-V6.0 mandatory	All
26	Cable CAN bus + Board supply	N103097	X			Only for machines with automatic ribbon save option	All
27	BLDC motor output stage board	N101378	X				All
28	Cable output stage boards stepper motor - 4-fold motor output stage board	N103265	X			Y-cable, only for machines with automatic ribbon save option	All

# Options

## UNWINDER

Unwinder "Compact"

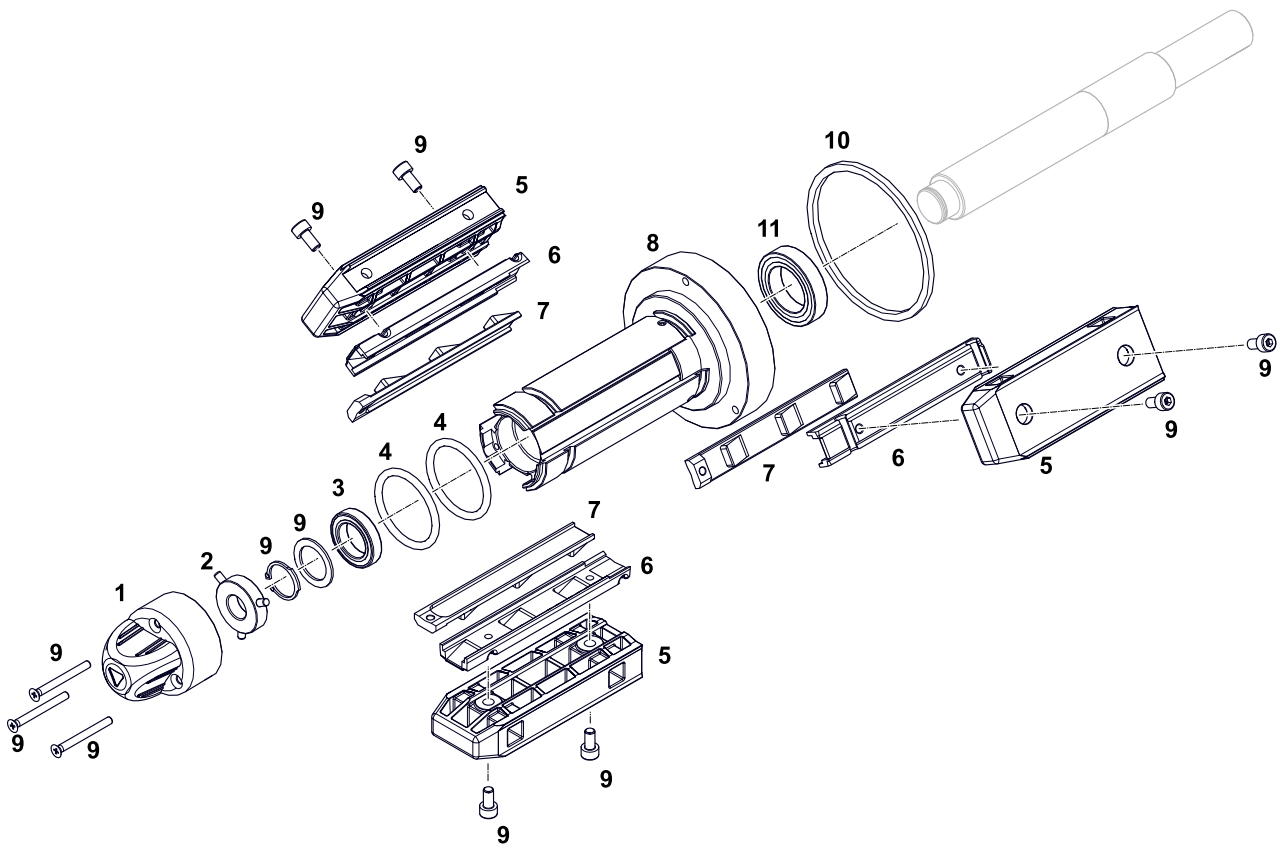


Pos	Designation	Article no.	SP	RSP	WP	Comment	P. Code
1	Unwinder core assy.	N102069	X				All
2	Disc kit	N102153	X			with screws	All
3	Rubber foot	95620-00-3	X				All
4	Spring kit	N102156	X			with rings	All
5	PU plate	A2865	X				All

Pos	Designation	Article no.	SP	RSP	WP	Comment	P. Code
6	Dancer arm assy.	N102067	X			LH	All
		N102244	X			RH	All
7	Roll kit	N102157	X			with axis	All
8	Support disc assy.	N102165	X			Option	All

\*) See list of **Small Standard Parts** on page 36.

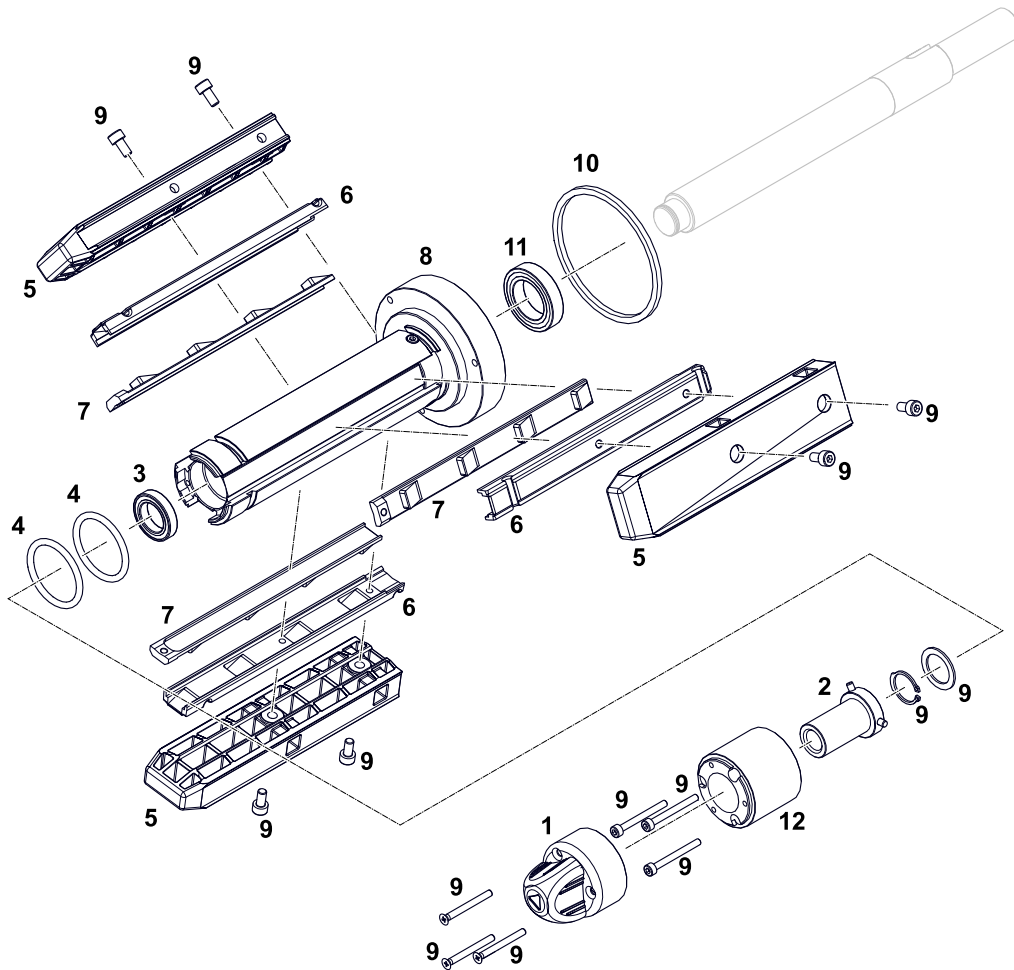
### Unwinder Pro 300 for XPA 934 - Expanding Mandrel



Pos	Designation	Article no.	SP	RSP	WP	Comment	P. Code
1	Handle assy.	A7273	X				All
2	Aluminium ring assy.	A7279	X				All
3	Ball bearing	95965	X	X	X		All
4	O-ring	A7113	X	X			All
5	Plastic block 4	A7464	X	X			All
6	Spread bar 4	A7442	X				All
7	Lift bar 4	A7321	X				All
8	Aluminium tube 4 assy.	A7792	X				All

Pos	Designation	Article no.	SP	RSP	WP	Comment	P. Code
9	Small parts kit	A8116	X			Content see <b>A8116</b> on page 35	All
10	Felt sealing	A7466	X				All
11	Ball bearing	000074-45	X	X	X		All

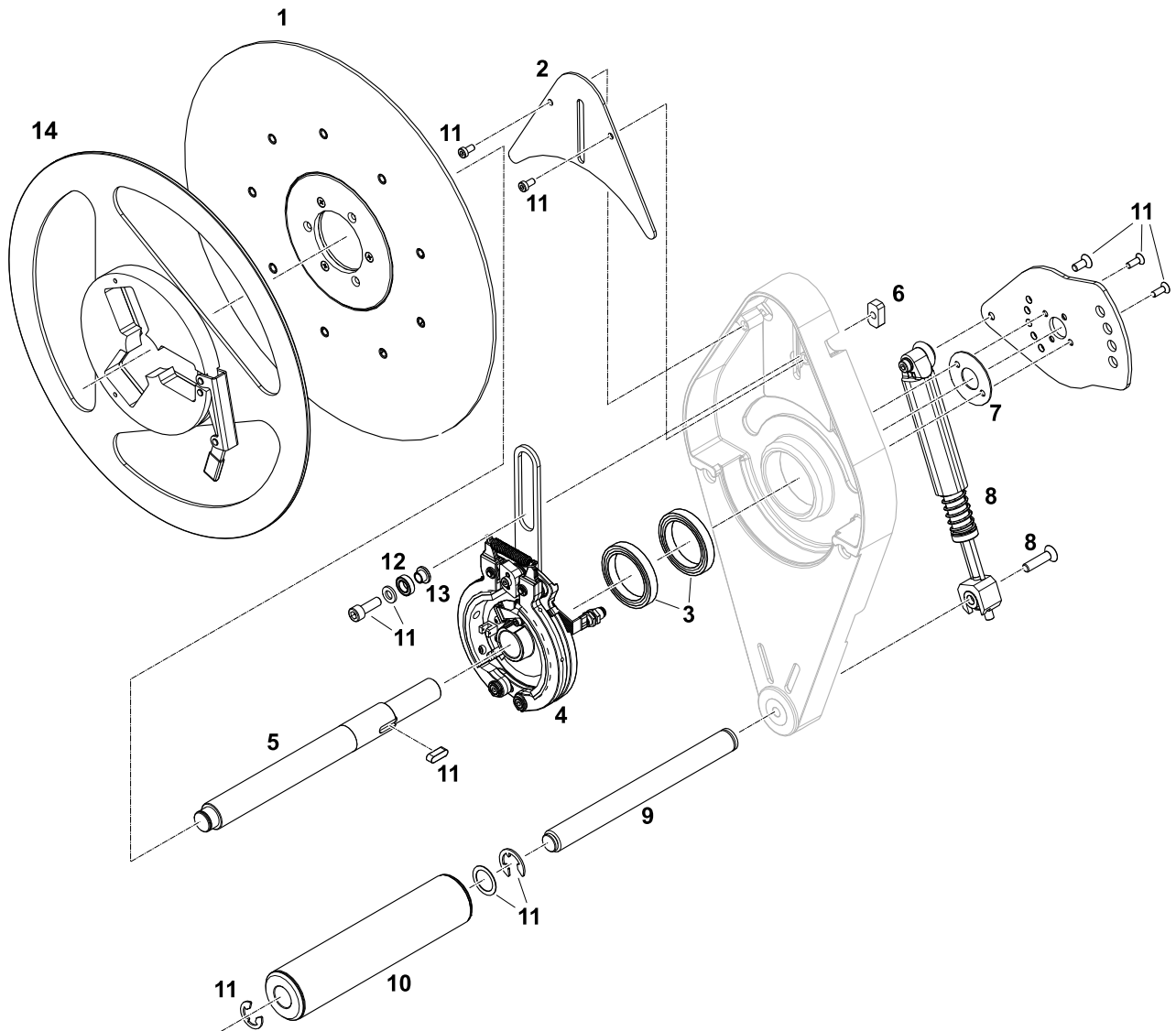
Unwinder Pro 300 for XPA 935/936 - Expanding Mandrel



Pos	Designation	Article no.	SP	RSP	WP	Comment	P. code
1	Handle assy.	A7273	X				Alle
2	Aluminium ring assy.	A9674	X				Alle
3	Ball bearing	95965	X	X	X		Alle
4	O-ring	A7113	X	X			Alle
5	Plastic block	A7336	X	X			Alle
6	Spread bar	A7451	X				Alle
7	Lift bar	A7320	X				Alle
8	Aluminium tube 6 assy.	A7750	X				Alle

Pos	Designation	Article no.	SP	RSP	WP	Comment	P. code
9	Small parts kit	A9718	X			Content see <b>A9718</b> on page 35	Alle
10	Felt sealing	A7466	X				Alle
11	Ball bearing	000074-45	X	X	X		Alle
12	Spacer tube	A9669	X				Alle

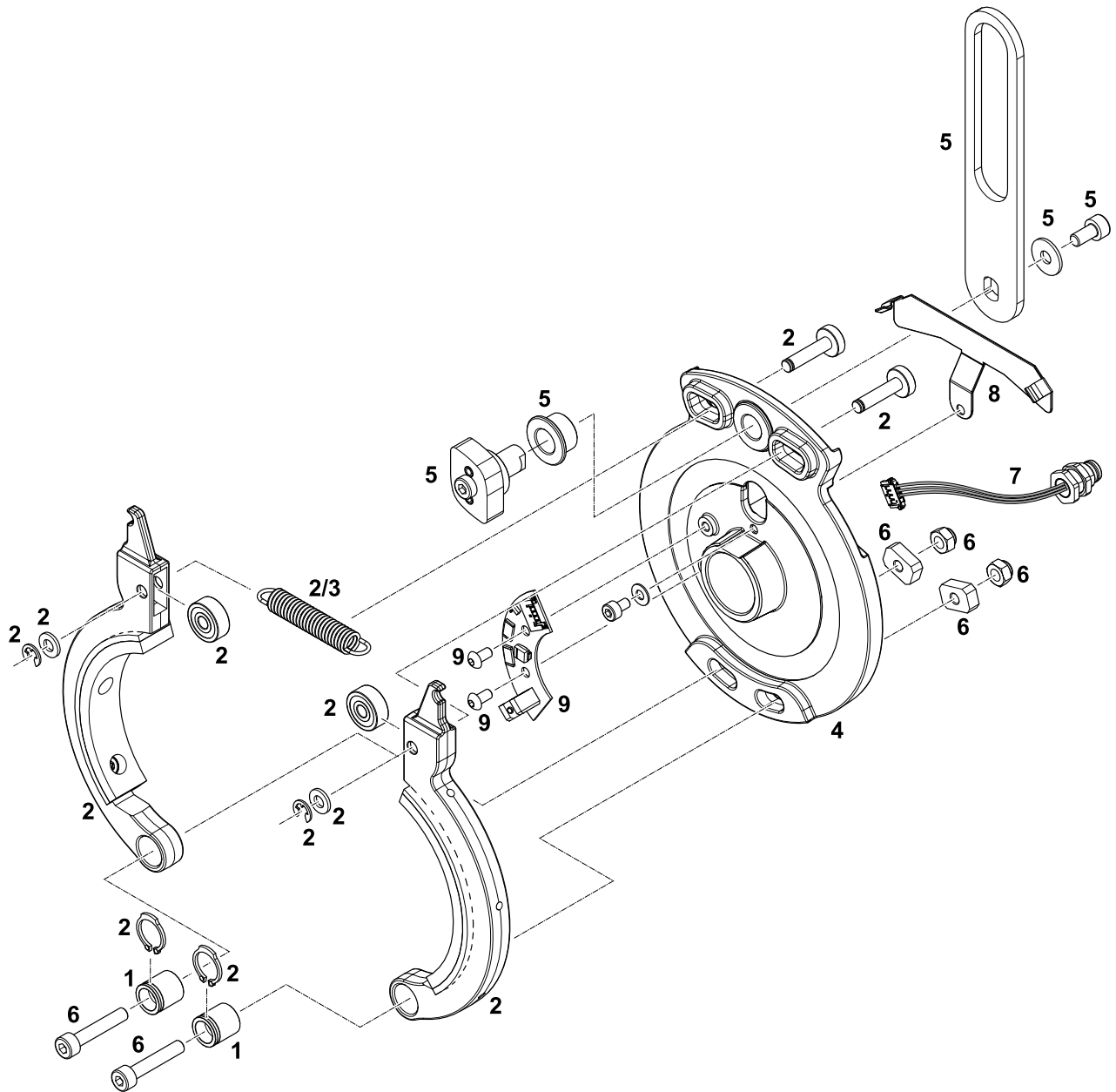
Unwinder Pro 300 - Dancer arm



Pos	Designation	Article no.	SP	RSP	WP	Comment	P. Code
1	Guiding disc assy.	N100533	X				All
2	Brake cover	A7560	X				All
3	Bearing kit	A8124	X				All

Pos	Designation	Article no.	SP	RSP	WP	Comment	P. Code
4	Brake assy.	N102079	X			For mounting top left / top right; See chapter <b>Unwinder Pro 300 - Brake</b> on page 31	All
		N102080	X			For mounting on the right side; see chapter <b>Unwinder Pro 300 - Brake</b> on page 31	All
5	Steel shaft	A6907	X				All
6	Thread plate	A7278	X				All
7	Steel washer	A7256	X				All
8	Parts kit dancer arm plastic tube	A8118	X				All
9	Aluminium shaft	A6782 N102577	X			XPA 934 XPA 935/936	All
10	Deflection roller D37-6 assy.	A7001 N102578	X			XPA 934 XPA 935/936	All
11	Small parts kit	A8119	X			Content see <b>A8119</b> on page 35	All
12	Ball bearing	A103482	X				All
13	Steel bushing	A105368	X				All
14	Support disc assy.	A7426	X			Option	All

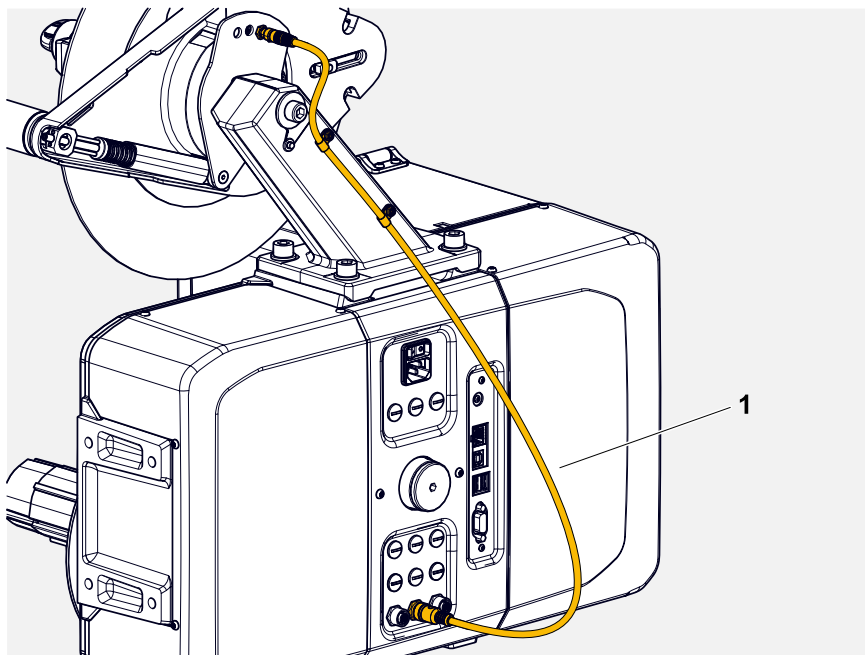
Unwinder Pro 300 - Brake



Pos	Designation	Article no.	SP	RSP	WP	Comment	P. Code
1	Steel bushing	A7716	X				Alle
2	Parts kit brake 1	A8120	X	X	X		Alle
3	Extension spring	A7889	X	X			Alle
4	Steel flange assy.	A9510	X				Alle
5	Parts kit brake 2	A8121	X			for unwinders mounted at the right side	Alle

Pos	Designation	Article no.	SP	RSP	WP	Comment	P. Code
	Parts kit brake 3	A8122	X			for unwinders mounted on top left / top right for unwinders mounted at the left side	Alle
6	Parts kit brake 4	A8123	X				Alle
7	OD-sensor cable internal	N101415	X				Alle
8	Cable clamp	A7846	X				Alle
9	Sensor board kit	N102158	X				Alle

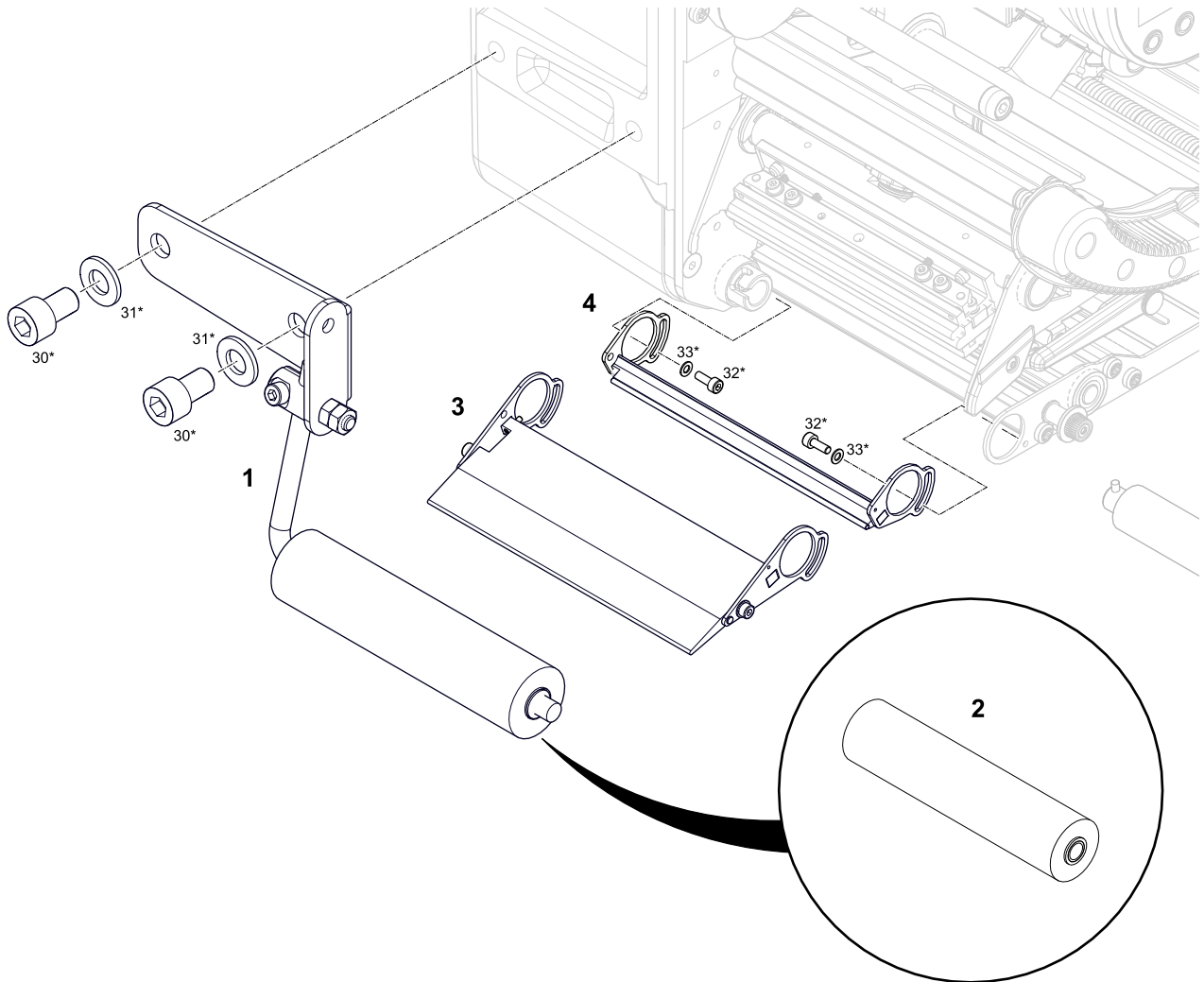
Unwinder Pro 300 - Cable OD control



Pos	Designation	Article no.	SP	RSP	WP	Comment	P. code
1	Cable kit for OD sensor	N103074	X			with cable clamps and screws	All



## DISPENSING EDGES & PRESSURE ROLLER

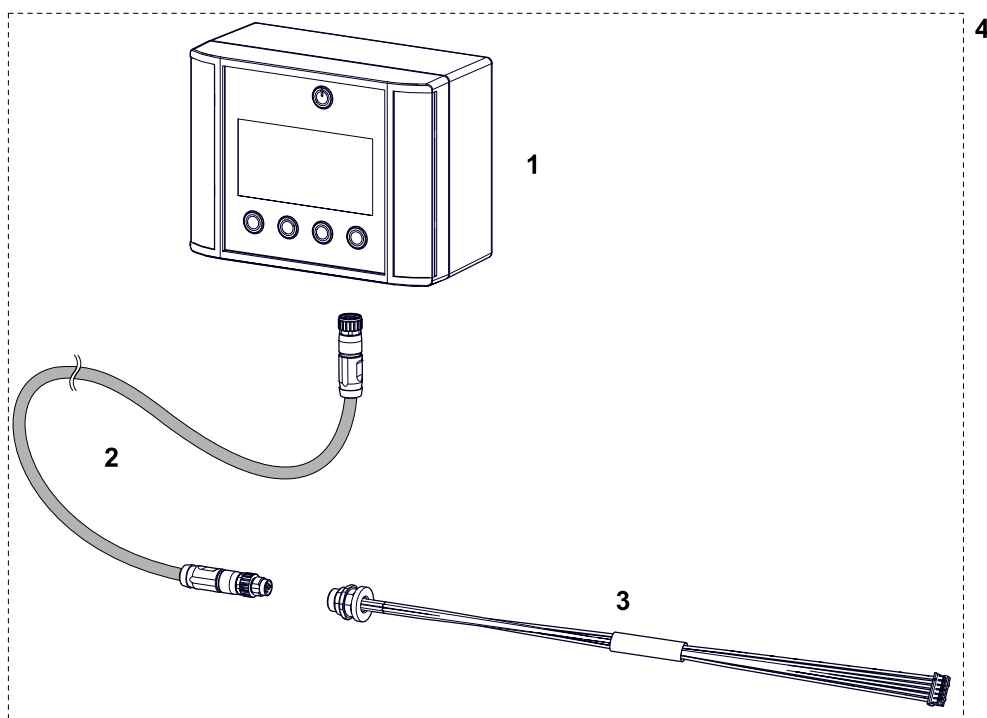


Pos	Designation	Article no.	SP	RSP	WP	Comment	P. code
1	Contact roller assy.	N102302 N102803	X			XPA 934 LH XPA 935/936 LH with mounting screws	All
		N102304 N102805	X			XPA 934 RH XPA 935/936 RH with mounting screws	All
2	Spare foam roller	A3336 A4799	X			XPA 934 XPA 935/936	All
3	Long dispensing edge	N102257 N103686 N102802 N103688	X			XPA 934 LH XPA 934 LH Facelift XPA 935/936 LH XPA 935/936 LH Facelift with mounting screws	E480-00 E480-01 E480-00 E480-01

Pos	Designation	Article no.	SP	RSP	WP	Comment	P. code
		N102298 N103687 N102811 N103689	X			XPA 934 RH XPA 934 RH Facelift XPA 935/936 RH XPA 935/936 RH Facelift with mounting screws	E480-00 E480-01 E480-00 E480-01
		N102256 N103676 N102813 N103678	X			XPA 934 LH XPA 934 LH Facelift XPA 935/936 LH XPA 935/936 LH Facelift with mounting screws	E480-00 E480-01 E480-00 E480-01
4	Standard dispensing edge	N102297 N103677 N102814 N103679	X			XPA 934 RH XPA 934 RH Facelift XPA 935/936 RH XPA 935/936 RH Facelift with mounting screws	E480-00 E480-01 E480-00 E480-01

\*) See list of **Small Standard Parts** on page 36.

## REMOTE OPERATION PANEL



Pos	Designation	Article no.	SP	RSP	WP	Comment	P. code
1	Remote operation panel assy.	N103943	X				All
2	Connection cable external	N103894	X				All
3	Connection cable internal	N103892	X				All
4	Remote operation panel retrofitting kit	N103935	X				All

# Appendix

## CONTENT OF SMALL PARTS KITS

### A8116

Amount	Part
3	Countersunk screw ISO 7046 M3 x 30 A2
6	Socket head cap screw M4 x 8 V2A
1	Retaining ring DIN 471 D15 x 1 A2
1	Shim ring DIN 988 15 x 21 x 1 A2

### A8119

Amount	Part
2	Socket head screw DIN 6912 M4 x 8 A2
1	Socket head screw ISO 10642 M5 x 12 A2
1	Socket head screw ISO 4762 M6 x 18 A2
1	Slot nut ISO 2491 16 x 5 x 5
1	Locking washer DIN 6799 10 A2
1	Locking washer DIN 6799 12 A2
1	Shim ring DIN 988 16 x 22 x 0.5 A2
1	Washer ISO 7089/7090 6.4 A2

### A9718

Amount	Part
3	Cross head countersunk screw ISO 7046 M3 x 20 A2
3	Socket head screw ISO 4762 M3 x 30 A2
1	Retaining ring DIN 471 A15 x 1 A2
1	Shim ring DIN 988 15 x 21 x 1 A2
1	Shim ring DIN 988 6 x 12 x 1
12	Socket head screw ISO 4762 M4 x 8 A2
1	Socket head screw ISO 4762 M6 x 18
1	Washer ISO 7089/7090 6.4 A2
2	Countersunk screw DIN 7991 M4 x 12 A2
1	Countersunk screw DIN 7991 M5 x 12 A2
1	Key DIN 6885 5 x 5 x 16

**N102149**

Amount	Part	
1	Guide cap	
1	Flat-head screw with torx socket ISO 7380-1TX - M5x12 - A2K	
2	Shim ring DIN 988 12x18x0.5	
1	Shim ring DIN 988 12x18x1	
1	Retaining ring for shafts DIN 471 - FST - A12	

**SMALL STANDARD PARTS**

Pos	Designation	
1	Hex socket countersunk head cap screw DIN 7991 - M5x12 - 8.8:A2K	
2	Hex socket head cap screw DIN 912 - M10x25 - A2	
3	Washer DIN 125 - 10 - A2	
4	Flat-head screw with torx socket ISO 7380-1TX - M4x8	
5	Hex socket head cap screw DIN 912 - M4x12 - A2K	
6	Socket head screw SN4850TX - M4x8	
7	Hex socket countersunk head cap screw DIN 7991 - M4x12	
8	Hex socket head cap screw DIN 912 - M5x16	
9	Washer DIN 125 - 5.3	
10	Retaining ring for shafts DIN 471 - 20 - A2	
11	Shim ring DIN 988 20x28x1 - A2	
12	Shim ring DIN 988 20x28x0.5 - A2	
13	Self-tapping thread rolling countersunk head screw DIN 7500 MTX - M3x30	
14	Hex socket set screw with cup point DIN 916 - M3x4 - A2	
15	Socket head screw SN4850TX - M4x8	
16	Torx screw SN 6404 - M3x6	
17	Retaining ring for shafts DIN 471 - FST - A12	
18	Shim ring DIN 988 12x18x0.5	
19	Shim ring DIN 988 12x18x0.2	
20	Flat-head screw with torx socket ISO 7380-1TX - M5x12 - A2K	
21	Socket head screw SN4850TX - M4x10 - 8.8	
22	Flat-head screw with hex socket DIN 7380 - M4x10 - A2	
23	Washer DIN 125A - M4 - 140HV	
24	Torx screw SN 6404 - M3x4	
25	Hex socket head cap thread rolling screw DIN 7500 EE - M4x16	
26	Hex socket countersunk flat head screw ISO 14581 - M6x30	
27	Hex socket countersunk head cap screw DIN 7991 - M4x20 - 8.8	

Pos	Designation	
28	Self-tapping thread rolling countersunk head screw DIN 7500 MTX - M4x20	
29	Retaining washer for shafts DIN 6799 - 12 - A2	
30	Hex socket head cap screw DIN 912 - M10x16 - A2	
31	Washer DIN 125 - 10.5	
32	Hex socket head cap screw DIN 912 - M3x8 - 12.9	
33	Washer DIN 433 - 3.2	
34	Countersunk screw SN4851TX - M4x12 - 8.8	
35	Retaining ring for shafts DIN 471 - 10 - FST	
36	Retaining washer for shafts DIN 6799 - 7	
37	Retaining washer for shafts DIN 6799 - 3.2 A2K	
38	Hex socket countersunk head cap screw DIN 7991 - M6x16 - 8.8	
39	Hexalobular cylindrical head ISO 14579 - M4x12 - 8.8	
40	Flat-head screw with torx socket ISO 7380-1TX - M4x10	
41	Torx screw WN 1552 DG 30x10	
42	Torx screwDG 40x30	

Telephone: +49-8165-925-0 | [www.novexx.com](http://www.novexx.com)

**NOVEXX**   
SOLUTIONS

**Novexx Solutions GmbH**

Ohmstraße 3  
85386 Eching  
Germany