

Basic features

Approval/Conformity	CE cURus cULus WEEE
Basic standard	EN 61204
Series	Standard
Short description	Switching power supply
Version	DIN rail

Electrical connection

Connection	0.25...4 mm ²
-------------------	--------------------------

Electrical data

Derating	-2%/°C -10°C>T>-20°C/115 VAC, 230 VAC -1.67%/°C>+40°C/115 VAC -2.5%/°C>+50°C/230 VAC
Display	DC LOW DC ON
Efficiency typ.	90 %
Hold-up time	≥ 20 ms at 115 V AC ≥ 90 ms typ. at 230 V AC
Input fuse	T 4 A
Input voltage	85...264 V AC
Input/output insulation voltage	3000 V AC
Inrush current	≤ 20 A at 115 V AC ≤ 40 A at 230 V AC
Isolation resistance	≥ 100 MOhm
Output capacity max.	120 W
Output voltage	24 VDC
Output voltage, tolerance	+1 %
Protection class	I
Rated input current	2.2 A at 115 V AC 1.2 A at 230 V AC
Rated output current	5 A
Setting range	22...28 V DC

Switching Power Supplies
BAE PS-XA-1W-24-050-017
Order Code: BAE0112

BALLUFF

Settling time	2 ms
Turn-on time max.	1 s
Working frequency	47...63 Hz

Material

Housing material	Metal
------------------	-------

Environmental conditions

Ambient temperature	-20...70 °C
Contamination scale	2
Cooling	Free convection
EN 60068-2-27, Shock	Half-sinus: 11 ms (10 G), X-axis
EN 60068-2-6, Vibration	Sinus waves: 10Hz to 500Hz, acceleration 19.6m/s ² (2g peak) 10 min/cycle, 60 min, X-axis
IP rating	IP20
Over temperature	protected
Relative humidity	20...95 %, non-condensing
Storage temperature	-40...85 °C
Temperature coefficient max.	±0.03 %/K

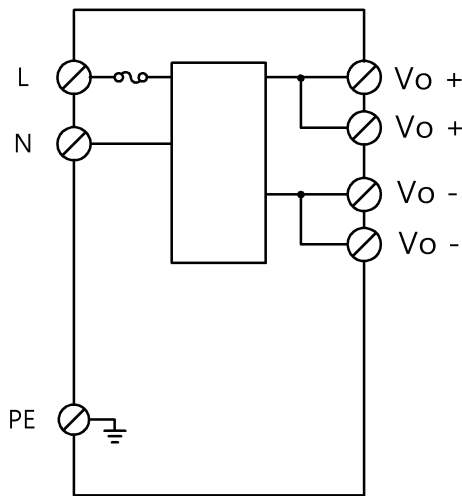
Mechanical data

Dimension	40 x 123.6 x 117.6 mm
Mounting part	DIN rail mount
Weight	0.54 kg

Remarks

Values measured at +25 °C and full load.

Wiring Diagrams



L