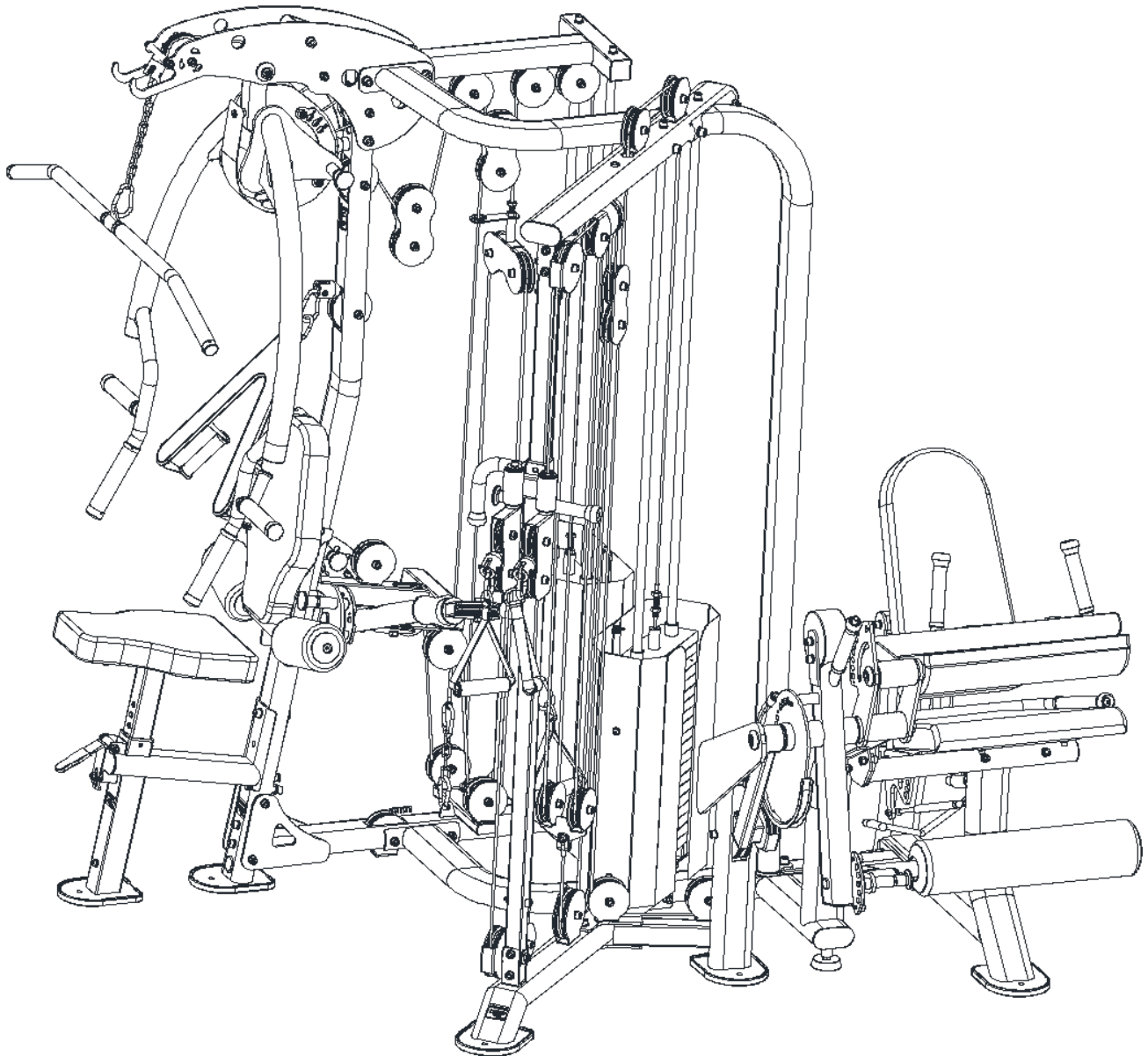




Megatron Corner Gym MT-CG



Installation Manual

www.muscledfit.com

Table of Contents

01 / Safety Instructions

02 / Installation Steps Diagram and Checklist

03 / Product Description

04 / Product Parameters

05 / Maintenance Guide

01/ Safety Instructions:

Thank you for choosing our company's product. Proper use of the training equipment ensures your safety and convenience. Before using the training equipment, please read the following carefully:

1. Before using this product, please carefully read all the instructions and strictly follow the methods described in the manual. Keep this manual throughout the entire lifespan of the product.
2. The owner of the product should ensure that all users understand all usage precautions.
3. When using this machine, ensure that the indoor air is fresh and circulating, and ensure there is sufficient space for movement.
4. Users are responsible for ensuring the proper maintenance of the equipment. After installing this product and before each use, check that all fasteners are securely tightened without any excess. Regularly inspect the condition of easily worn parts.
5. In the event of damage to your equipment, please contact the dealer and the company's after-sales service department immediately to replace all worn or defective parts. Do not use the equipment until it has been completely repaired.
6. Before use, wear appropriate sportswear and sports shoes. Do not wear skirts or jewelry, and tie your hair up to avoid interference during exercise.
7. Warm up before exercising on this machine.
8. If you experience abnormal symptoms such as dizziness, pain, vomiting, etc., stop exercising immediately and consult a doctor.
9. Children should use this machine for selective training under adult supervision.
10. Warning! Keep hands and feet away from moving parts.
11. Warning! Do not exceed the adjustment settings.
12. Warning! Do not allow children or pets near the equipment during exercise.
13. Warning! All adjustment devices must be properly adjusted during use.
14. Warning! Please use the machine correctly for exercise. Using incorrect methods or features beyond the machine's capabilities may cause injury to your health.
15. It is recommended to use this equipment only in supervised areas.

02/ Installation Steps Diagram and Checklist

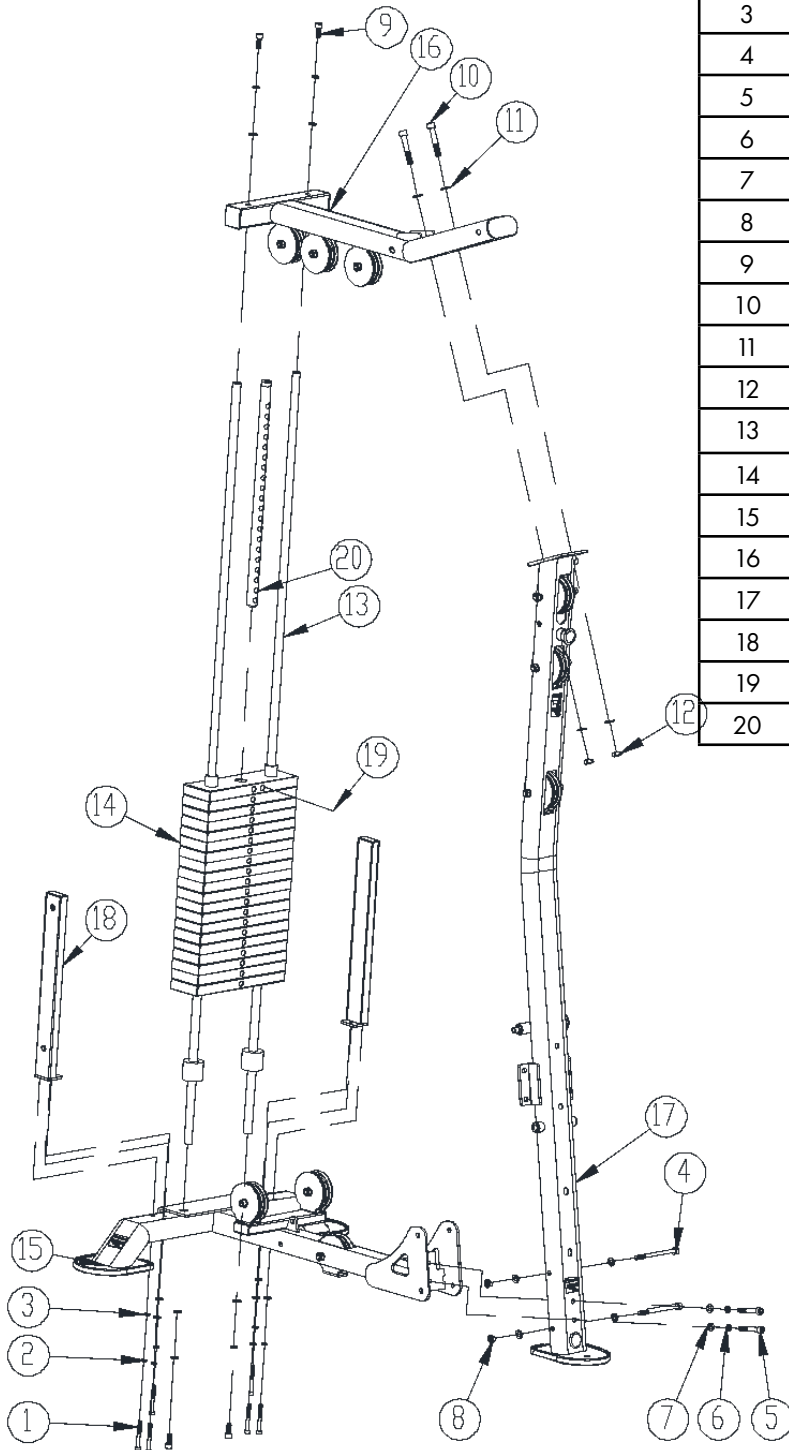
STEP 1:

Main Frame Assembly

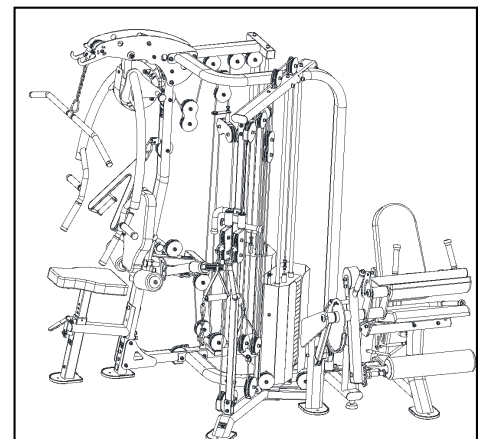
Note: Note that **MOST** of the nuts, bolts and washers are already in place. Be sure to bolt the guide rods to the underside of the U-shaped base frame **BEFORE** loading the weight plates onto the guide rods. The drift pin(19) attaches the top selector plate to the selector plate stem.

Installation checklist for this step

1	Socket Head Cap Screw	M8X65	6
2	Spring Washer	Ø8	6
3	Flat Washer	Ø8	6
4	Socket Head Cap Screw	M10X130	2
5	Socket Head Cap Screw	M10X65	2
6	Spring washer	Ø10	6
7	Flat Washer	Ø10	10
8	Hexagon Lock Nut	M10	2
9	Socket Head Cap Screw	M10X25	4
10	Socket Head Cap Screw	M12X70	2
11	Flat Washer	Ø12	4
12	Hexagon Lock Nut	M12	2
13	Guide Rod	Ø20* 1890	2
14	SM01 Weight Assembly	100KG	1
15	Base Bracket		1
16	Upper Fixing Assembly		1
17	Upright Assembly		1
18	Protective Plate Bracket		2
19	Clevis Pin	Ø10X80	1
20	SM01 Center Pole	Ø25*560	1



Installation completed image for reference.



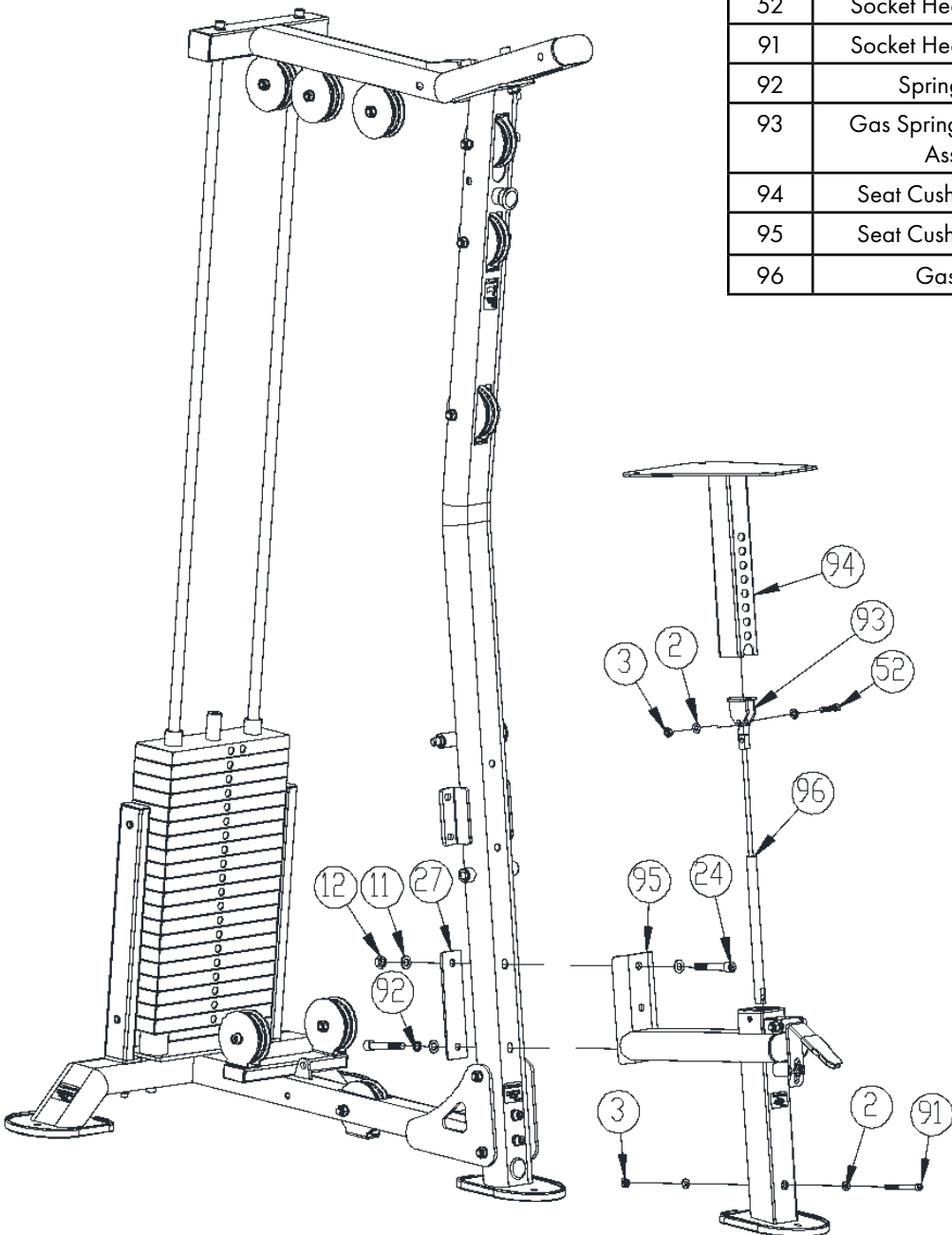
STEP 2:

Seat Assembly

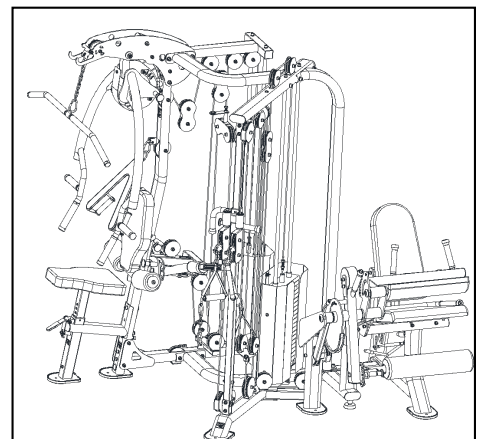
Note that there is a pneumatic gas piston in the chrome seat post that assist the user adjusting the height of the seat pad. Make sure to follow the order of assembly for the nuts, bolts, and washers when replacing them into the respective holes.

Installation checklist for this step

2	Flat Washer	Ø8	4
3	Hexagon Lock Nut	M8	2
11	Flat Washer	Ø12	3
12	Hexagon Lock Nut	M12	1
24	Socket Head Cap Screw	M12X75	2
27	Protective Plate	190*50*T4	1
52	Socket Head Cap Screw	M8X35	1
91	Socket Head Cap Screw	M8X75	1
92	Spring Washer	Ø12	1
93	Gas Spring Upper Fixing Assembly		1
94	Seat Cushion Assembly		1
95	Seat Cushion Assembly		1
96	Gas Spring		1



Installation completed image for reference.



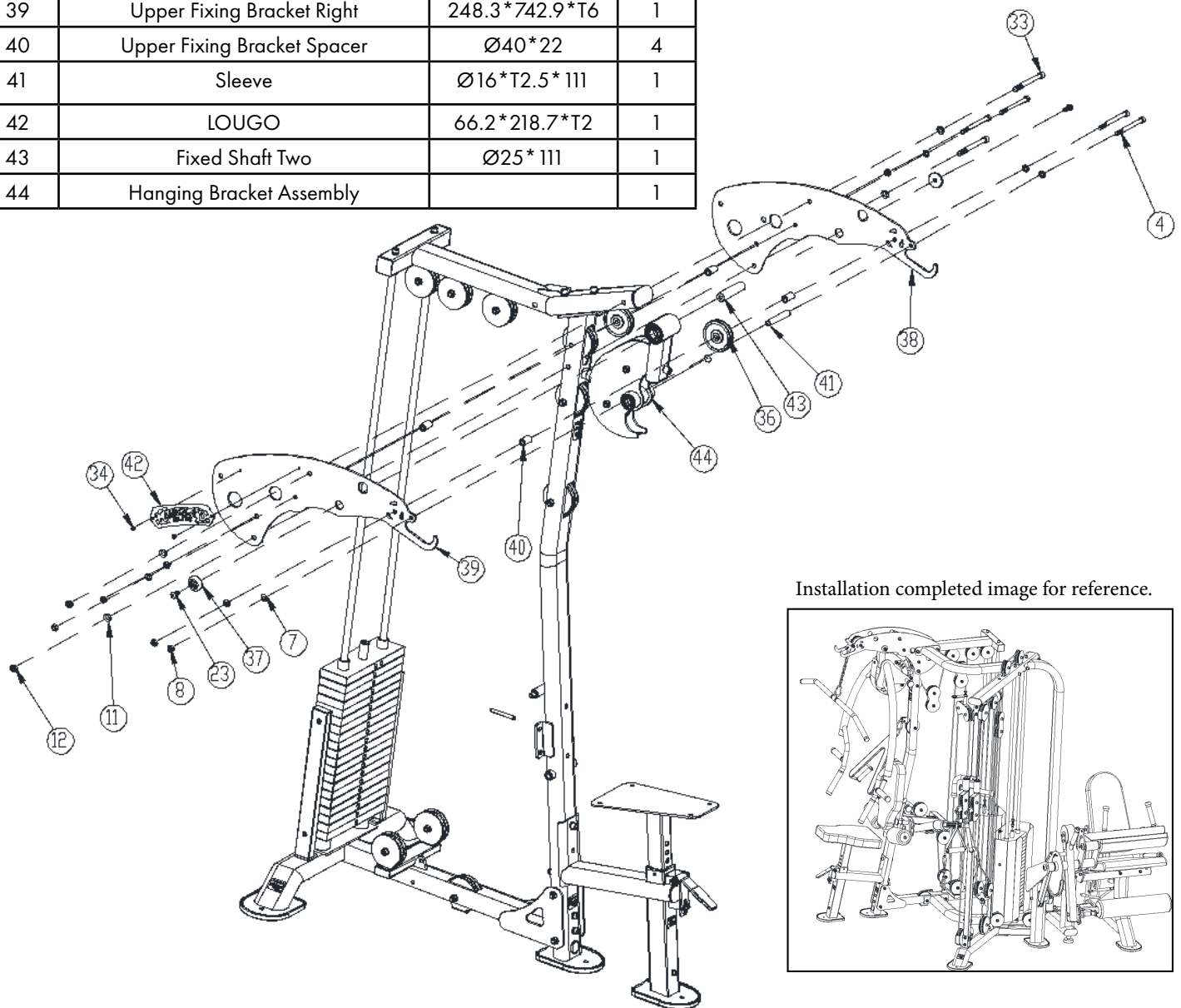
STEP 3:

Lat Pull Down Plate Assembly

Most of the bolts, washers, and nuts are already in place. Tighten these on the Lat Pulldown Plate snugly and pay attention to the order of assembly. Attach Muscle D logo(42) to right side of Lat plate using bolts(34).

Installation checklist for this step

4	Socket Head Cap Screw	M10X130	3
7	Flat Washer	Ø10	6
8	Hexagon Lock Nut	M10	3
11	Flat Washer	Ø12	6
12	Hexagon Lock Nut	M12	3
23	Socket Head Countersunk Screw	M10X25	2
33	Socket Head Cap Screw	M12X130	3
34	Socket Head Countersunk Screw	M6X10	2
36	Ø90 Pulley	90* 10.5*25	2
37	End Cap	Ø43.5*11	2
38	Upper Fixing Bracket Left	248.3*742.9*T6	1
39	Upper Fixing Bracket Right	248.3*742.9*T6	1
40	Upper Fixing Bracket Spacer	Ø40*22	4
41	Sleeve	Ø16*T2.5*111	1
42	LOUGO	66.2*218.7*T2	1
43	Fixed Shaft Two	Ø25*111	1
44	Hanging Bracket Assembly		1

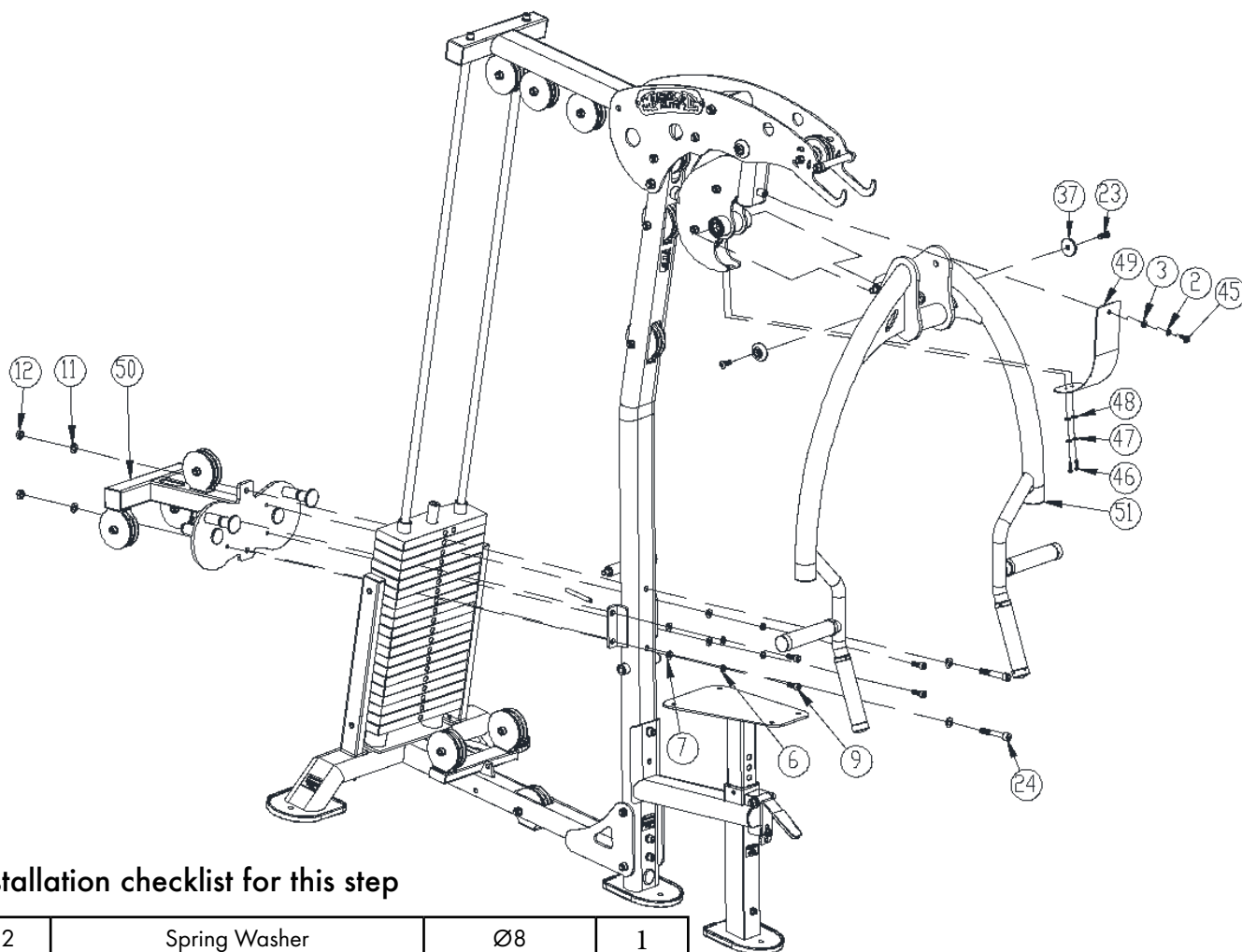


Installation completed image for reference.

STEP 4:

Pressing/Rowing Arm and Pulley Plate Assembly

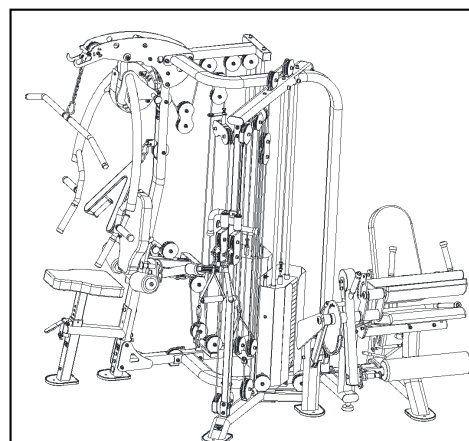
The most important part of this step is the securing of the axles on both sides of the pressing arm. Pay attention to the order of hardware assembly!



Installation checklist for this step

2	Spring Washer	Ø8	1
3	Flat Washer	Ø8	1
6	Spring Washer	Ø10	4
7	Flat Washer	Ø10	4
9	Socket Head Cap Screw	M10X25	4
11	Flat Washer	Ø12	4
12	Hexagon Lock Nut	M12	2
23	Socket Head Countersunk Screw	M10X25	2
24	Socket Head Cap Screw	M12X75	2
37	End Cap	Ø43.5 * 11	2
45	Socket Head Countersunk Screw	M8X20	1
46	Socket Head Countersunk Screw	M6X20	2
47	Spring Washer	Ø6	2
48	Flat Washer	Ø6	2
49	Baffle	318 * 85 * T2	1
50	Butterfly Arm Bracket		1
51	Dynamic Arm Assembly		1

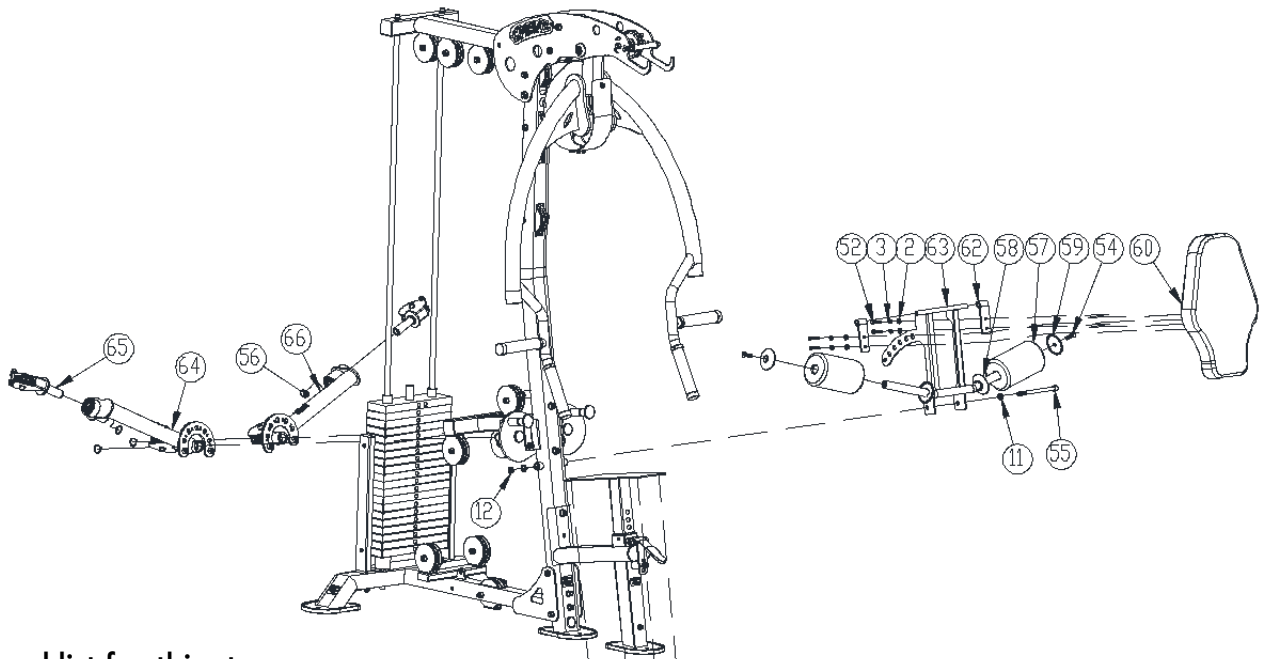
Installation completed image for reference.



STEP 5:

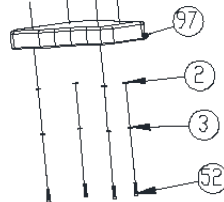
Rotating Arms/Lat Pull Lap Rollers/Seat Pad Assembly

The trickiest part is securing the axles on the end of the rotating arms and the attachment of the rotating arms to the brackets on the mainframe. Do these steps **FIRST** before the other steps so you will have room to work. Both require snap rings on the ends of the axles. The pads are attached with bolts into the sockets already in the backs of the pads. There is a bolt & nut that attaches the back pad to the to the bracket mounted on the upright support tubing.

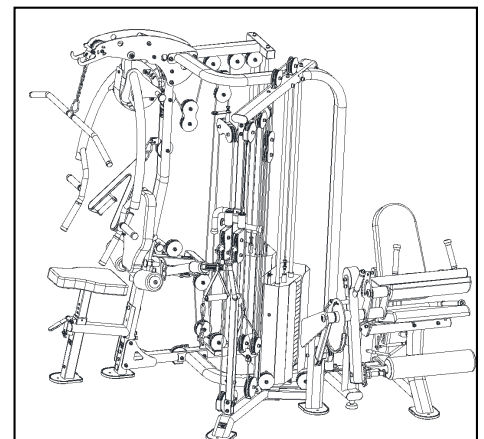


Installation checklist for this step

2	Flat Washer	Ø8	8
3	Spring Washer	Ø8	8
11	Flat Washer	Ø12	2
12	Hexagon Lock Nut	M12	1
52	Socket Head Cap Screw	M8X35	8
54	Socket Head Countersunk Screw	M10X35	2
55	Socket Head Cap Screw	M12X160	1
56	Elastic Stop Ring for Shaft Type A	Ø25 Shaft (GB/T894.1-1986)	4
57	Round Foam	Ø23*Ø110*180	2
58	Round Foam Inner Cap	Ø26*Ø70*11	2
59	Round Foam Outer Cap	Ø10.5*Ø70*11	2
60	Backrest	470*298*60	1
62	Backrest Bracket		2
63	Backrest Bracket		1
64	Left Butterfly Arm		1
65	Rotating Pulley Bracket		2
66	Right Butterfly Arm		1
97	Seat Cushion	420*300*60	1



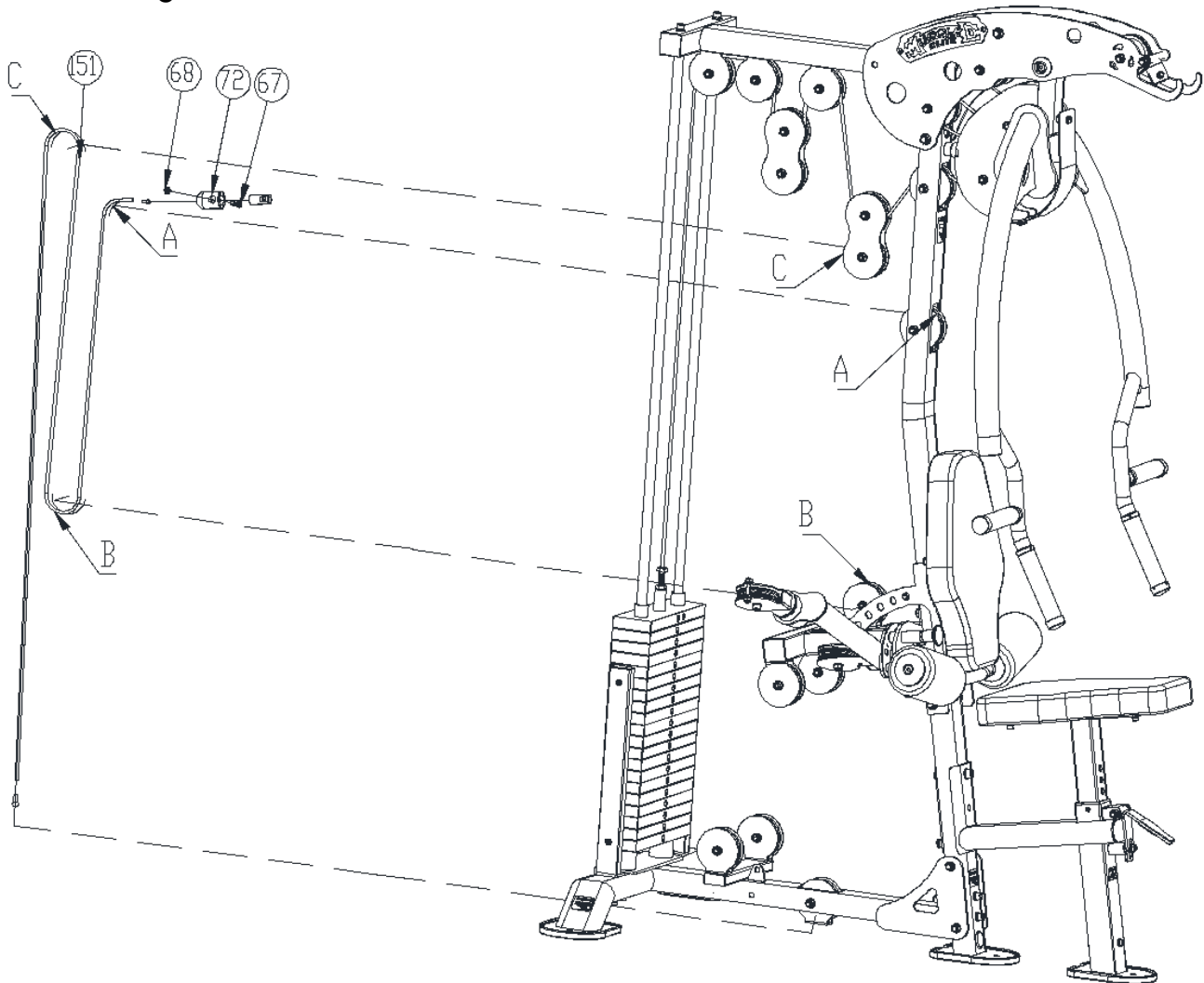
Installation completed image for reference.



STEP 6:

Main Cable Threading

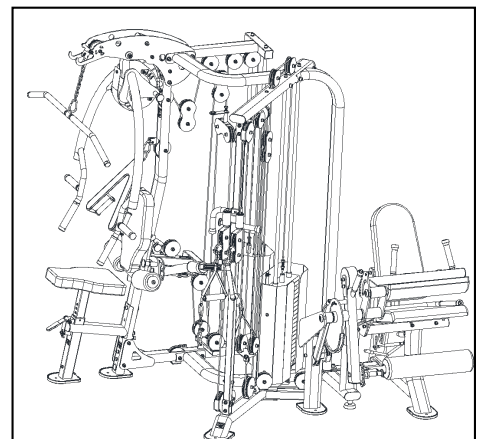
There are 4 cables...the one below is mainly for the Lat Pull/Rowing mechanism. Match the Letters on the cable(A-K) to the pulleys. This cable has a rounded black ball on one end and a threaded bolt on the other (goes into the selector stem. Note that some pulleys may have to be removed in order to thread the cables through the cable housings.



Installation completed image for reference.

Installation checklist for this step

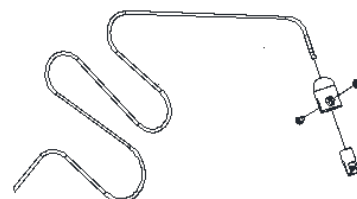
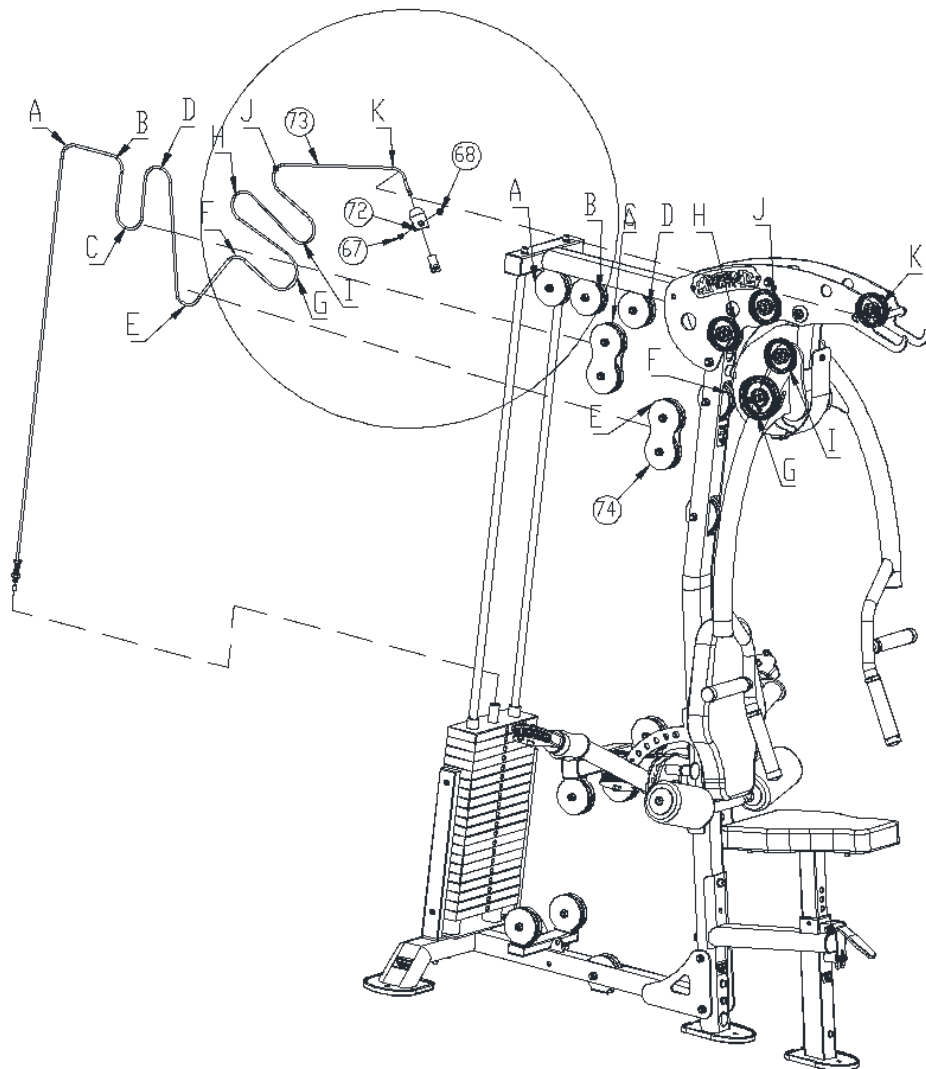
67	Socket Head Cap Screw	M8X30	1
68	Hexagon Lock Nut	M8	1
72	Wire Rope Clamp	39*56.8	1
73	SM01-1 Steel Wire Rope	Ø5*3800	1
74	Double Pulley Assembly		2



STEP 7:

Ab Crunch Cable Threading

There is a rounded black ball on one end that goes over pulley "A". The other end has an eyelet that is bolted to the Mainframe directly below cable housing "C". Start at the Ab Crunch ("A") end of the cable as you may not have to remove any of the pulleys. Match the Letters on the cable (A-C) to the pulleys.

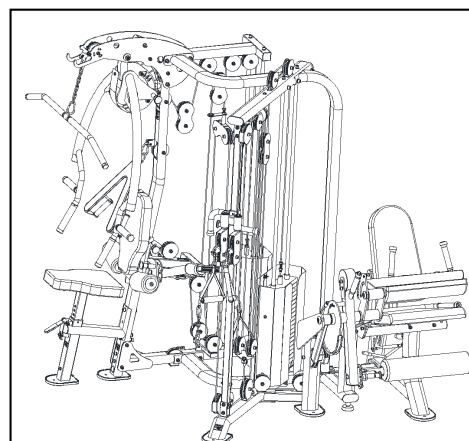


局部视图 A
比例 1:10

Installation checklist for this step

67	Socket Head Cap Screw	M8X30	1
68	Hexagon Lock Nut	M8	1
72	Wire Rope Clamp	39*56.8	1
151	SM1-2 Steel Wire Rope	5*3200	1

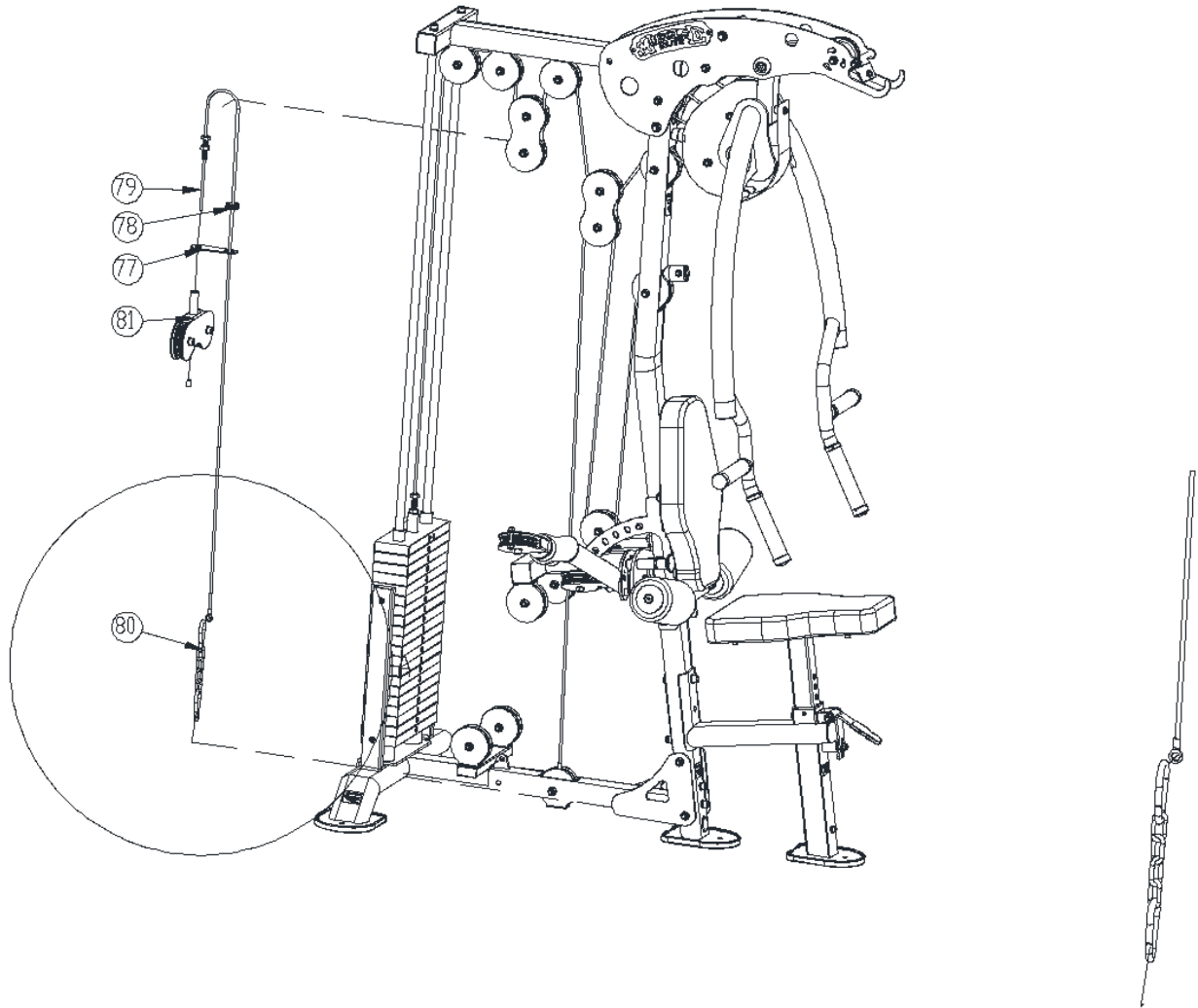
Installation completed image for reference.



STEP 8:

Suspended Double Pulley Housing Cable Threading

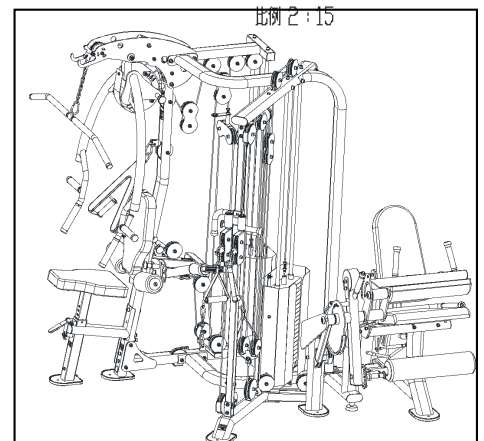
There is a Threaded bolt on one end that attaches to the pulley housing (81) on the one end. The other end has carbiner clip that attaches to an eyelet on the bottom of the frame between the 2 pulleys. Start at the base of the frame(80) end of the cable so that you may not have to remove any of the pulleys. Thread the cable through the holes in the metal flat strap(77) as one end screws the cable into the round barrel on top of the flat strap.



Installation completed image for reference.

Installation checklist for this step

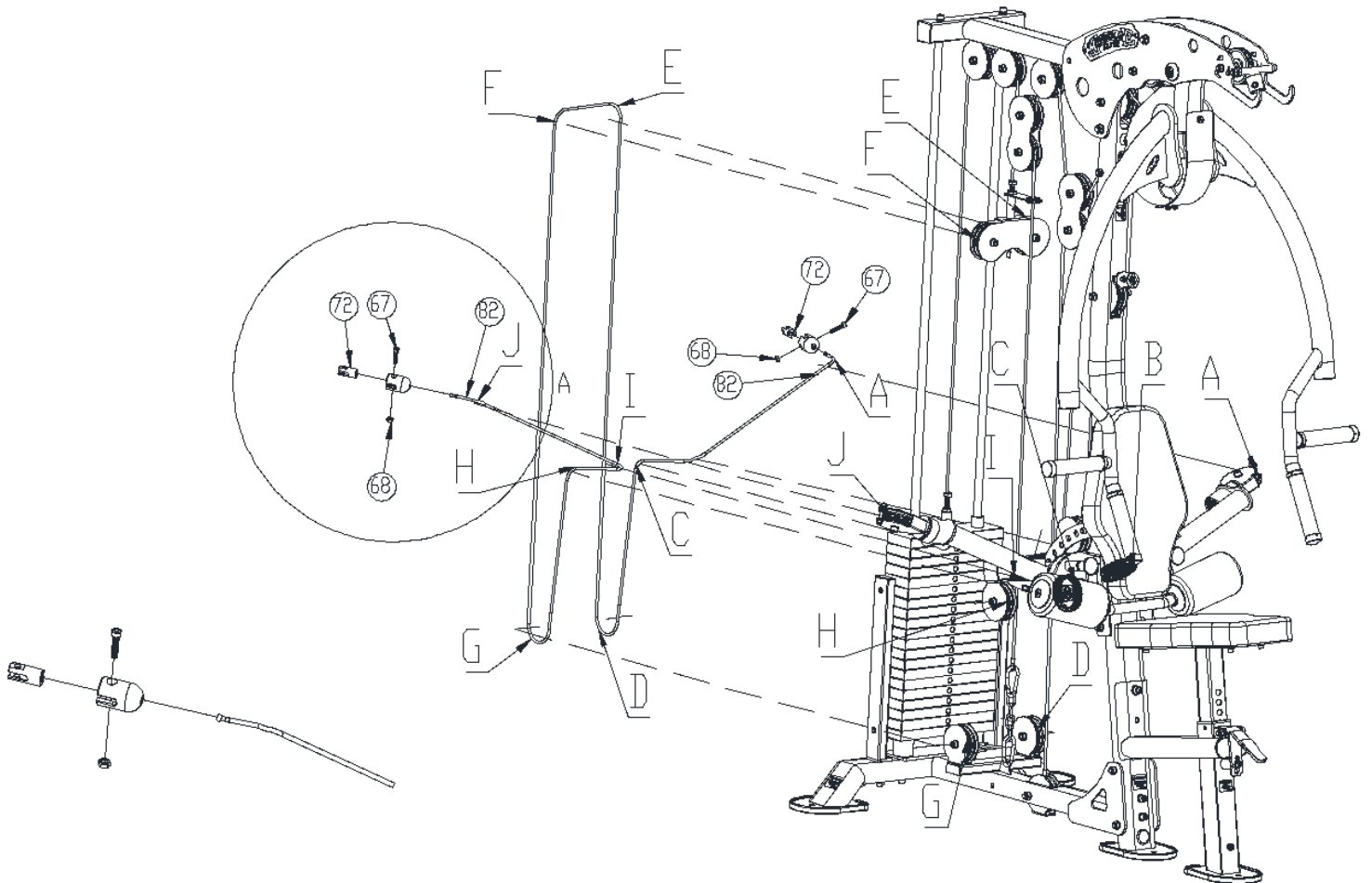
77	Shim	115*35*T3	1
78	Guide Rod Fixing Sleeve	20.2*32.2*+11	1
79	SM1-3 Steel Wire Rope	Ø5*1700	1
80	4 Section Iron Chain L125 + 2 Hook Pulleys	39*21*Ø6*4(L125)	1
81	Double Pulley Bracket Assembly		1



STEP 9:

Adjustable Crossover Pulley Arms Cable Threading

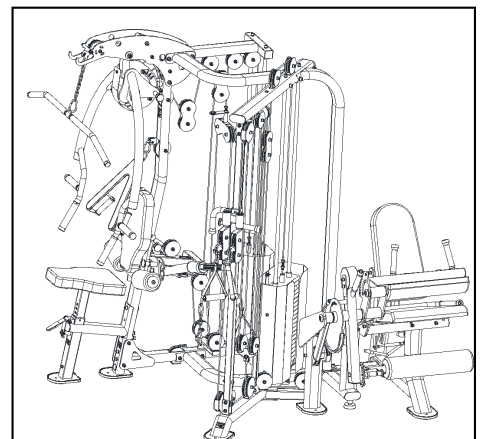
This cable is long so pay attention to match the cable pathway to the pulleys (A-J). See the inset picture on the bottom left below as it shows how to take off the rounded black ball on one end of the cable (67,68) so that you can thread it through most of the pulley housings...so that you do not have to remove the pulleys from most housings.



Installation checklist for this step

67	Socket Head Cap Screw	M8X30	2
68	Hexagon Lock Nut	M8	2
72	Wire Rope Clamp	39*56.8	2
82	SM1-4 Steel Wire Rope	Ø5*5000	1

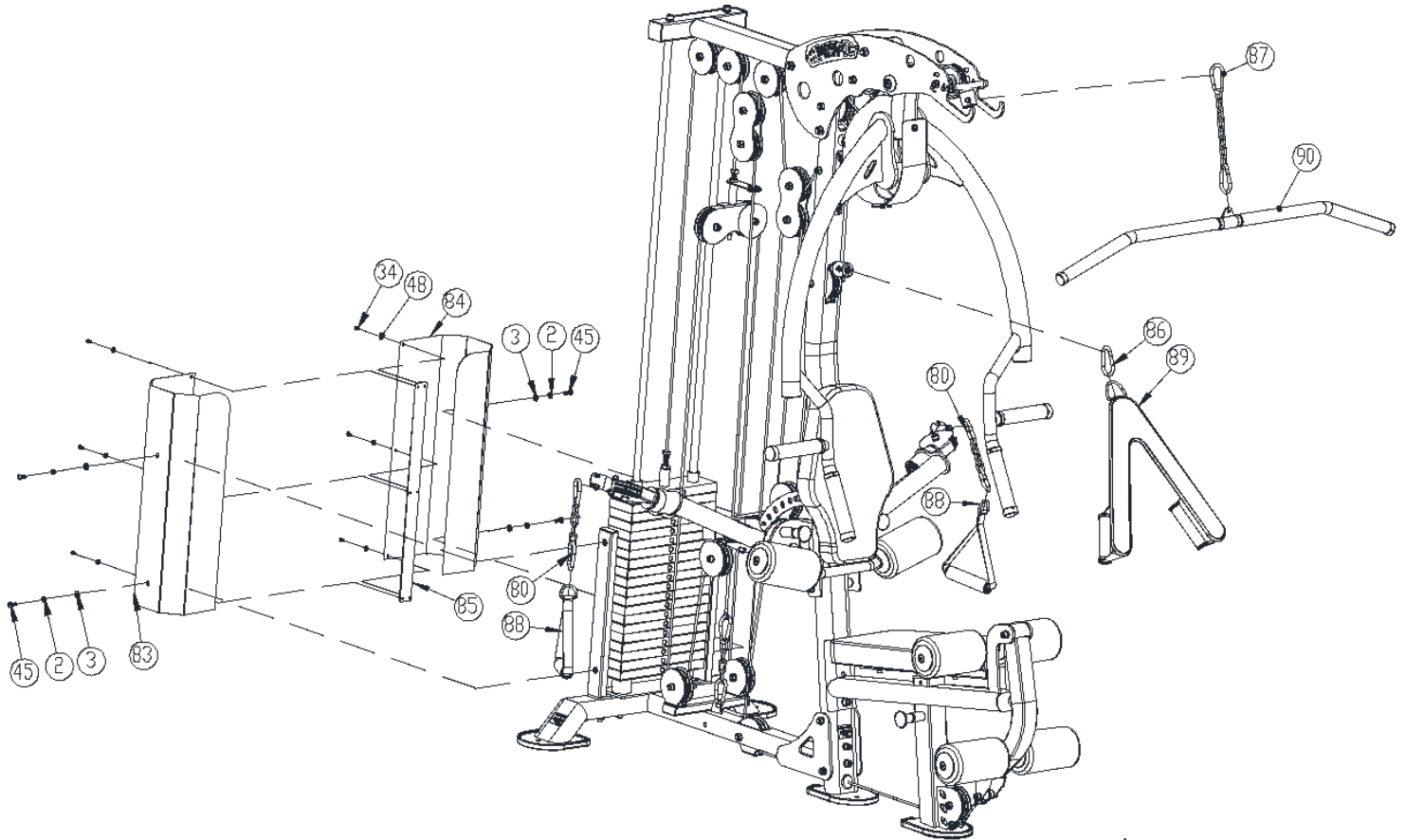
Installation completed image for reference.



STEP 10:

Attaching Weight Shrouds & Accessory Handles

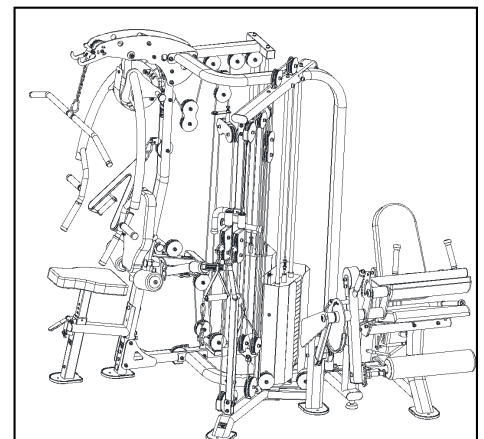
Attach metal weight stack shrouds (83,84) around the weight stack using the connector metal flat strap (85) to secure the 2 halves. Clip the Lat Pulldown Bar(87,90), Ab Crunch Harness(86,89) and 2 stirrup handles(80,88) to the respective ends of cables.



Installation checklist for this step

2	Spring Washer	Ø8	4
3	Flat Washer	Ø8	4
34	Socket Head Countersunk Screw	M6X10	6
45	Socket Head Countersunk Screw	M8X20	4
48	Flat Washer	Ø6	6
80	4-Section Iron Chain L125 + 2 Hook Pulleys	39*21*Ø6*4L125	2
83	Left Protective Plate	503.5*600*T1.2	1
84	Right Protective Plate	503.5*600*T1.2	1
85	Protective Plate Fixing Plate	40*600*T3	1
86	Hook Pulley	50*82*8	1
87	8-Section Iron Chain L250 + 2 Hook Pulleys	39*21*Ø6*8(L250)	1
88	Single Pull Handle		2
89	Triangle Pull Strap	437*401	1
90	High Pull Welding Assembly		1

Installation completed image for reference.



STEP 11:

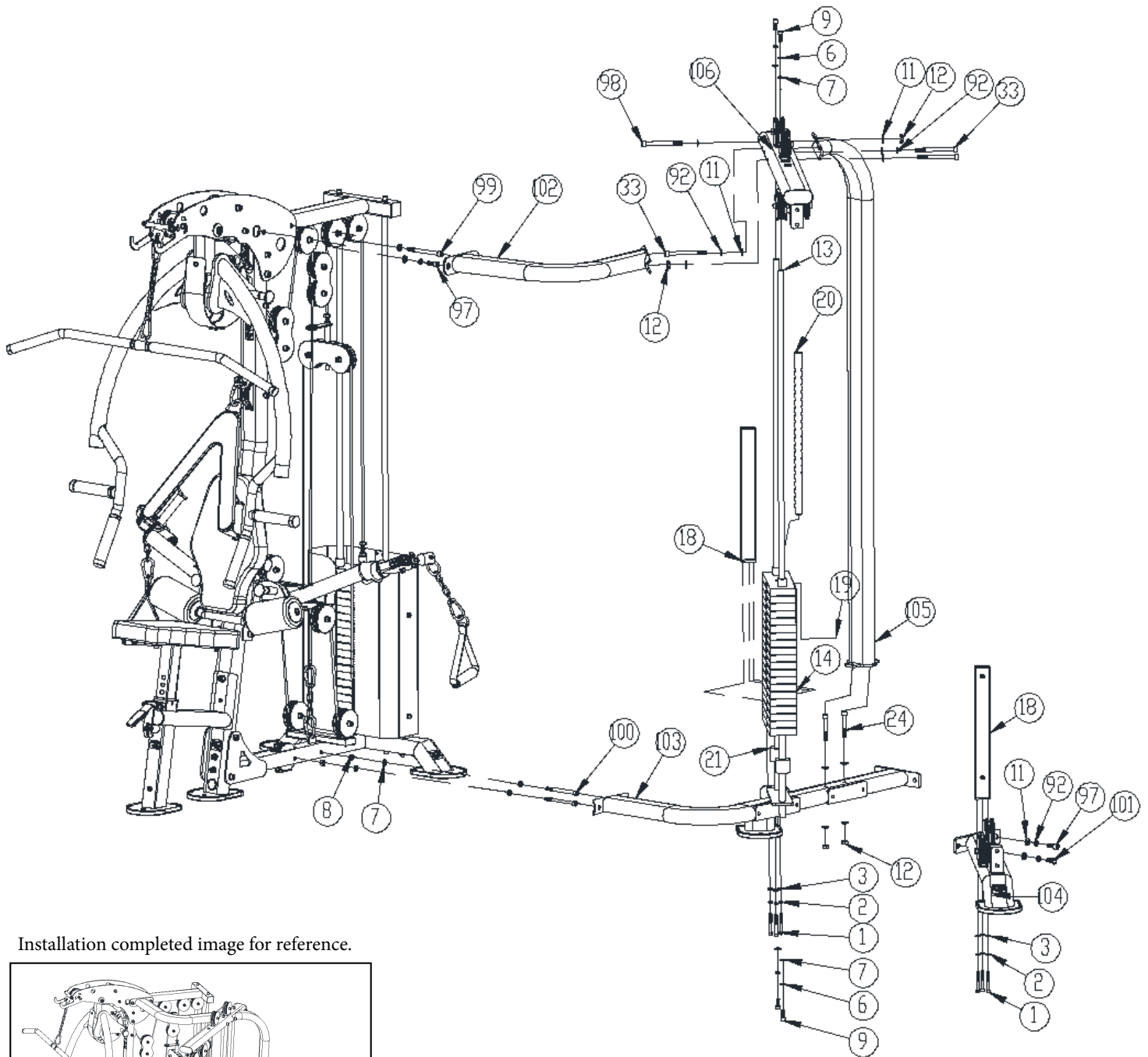
Attaching Hi/Lo Pulley/Leg Extension frame to main frame

Attach the 2 L-shaped oval tubes (102,103) to the main frame on top and bottom. Then attach 102 tube to overhead 106 tube. The Oval vertical tube attached to the 106 tube at the top and to the 103 tube at the base. The 104 tube attaches to the 103 tube. Attach the guide rods(13) to the base before loading the selector plates onto the guide rods.

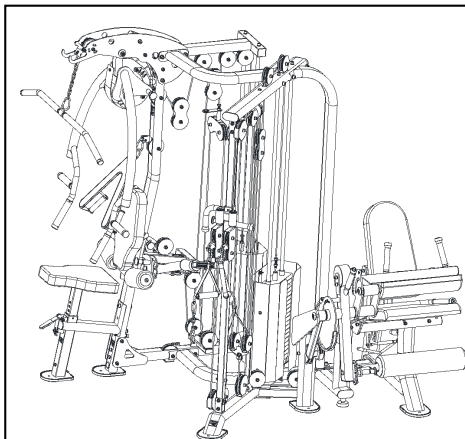
Installation checklist for this step

1	Socket Head Cap Screw	M8X65	6
2	Spring Washer	Ø8	6
3	Flat Washer	Ø8	6
6	Spring Washer	Ø10	4
7	Flat Washer	Ø10	6
8	Hexagon Lock Nut	M10	1
9	Socket Head Cap Screw	M10X25	4
11	Flat Washer	Ø12	15
12	Hexagon Lock Nut	M12	5
13	Guide Rod	Ø20* 1890	2
14	SM01 Counterweight Assembly	100KG	1
18	Protective Plate Bracket		2
19			1
20	SM01 Center Pole	Ø25*560	1
21	Weight Shock Absorption Pad	50*22*45	2
24	Socket Head Cap Screw	M12X75	2
33	Socket Head Cap Screw	M12X130	2
92	Spring Washer	Ø12	5
97	Socket Head Cap Screw	M12X30	2
98	Socket Head Cap Screw	M12X125	2
99	Socket Head Cap Screw	M12X135	1
100	Socket Head Cap Screw	M10X125	1
101	Hexagon Bolt	M12X30	1
102	Upper Connection Pipe Assembly		1
103	Connecting Base Assembly		1
104	Bird Fixed Seat Assembly		1
105	Support Upright Assembly		1
106	Bird Upper Beam Assembly		1

STEP 11:



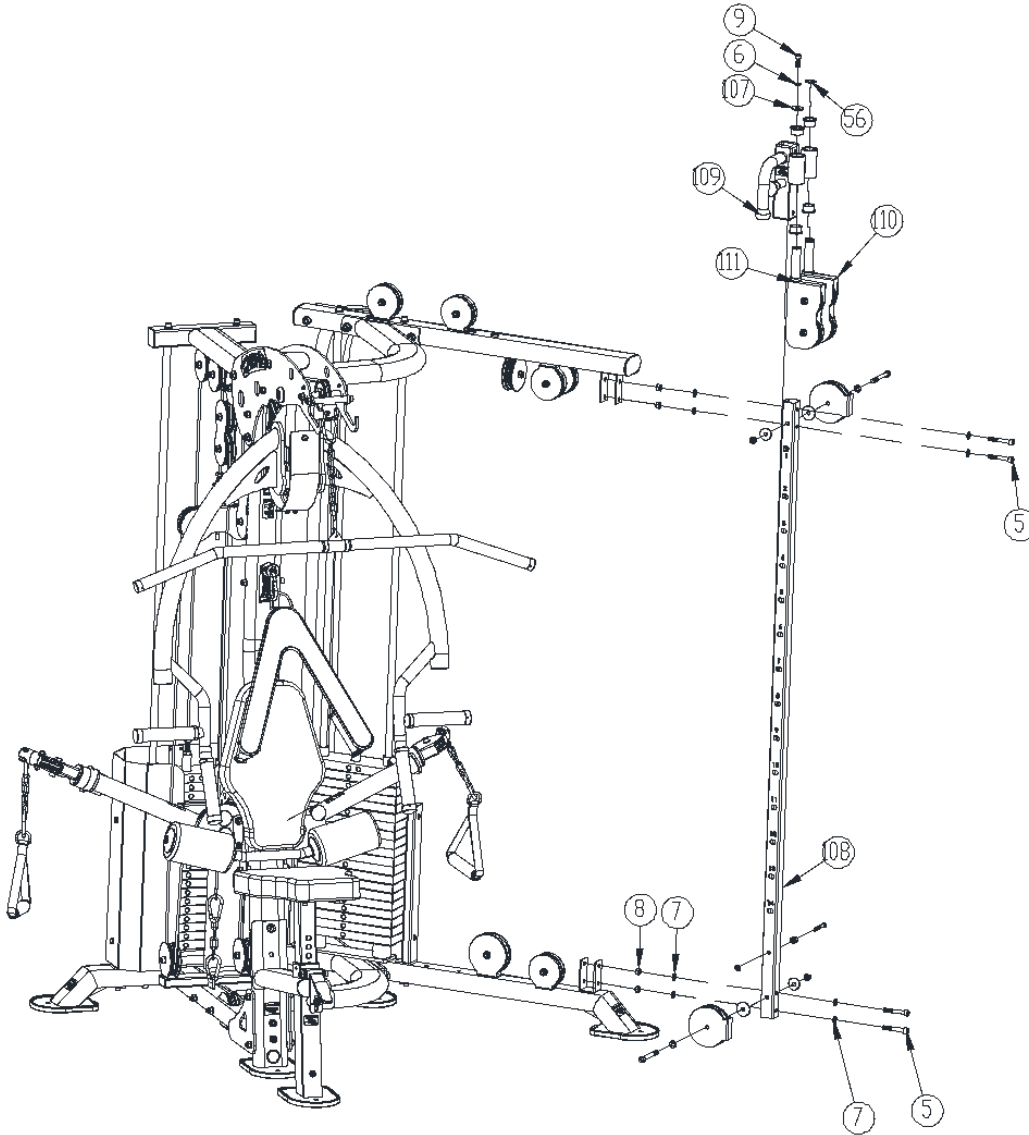
Installation completed image for reference.



STEP 12:

Attaching Hi/Lo Pulley Carriage & Chrome Adjustment Tube

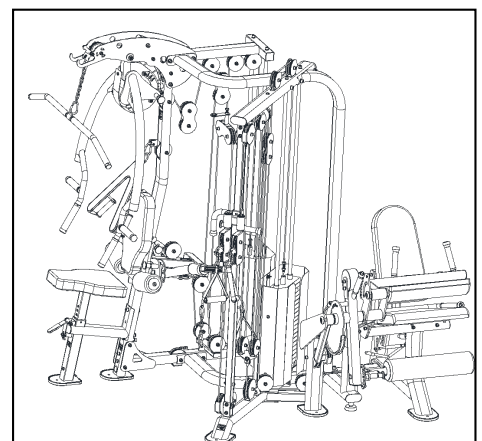
Before attaching chrome adjustable height tube(108) to the frame, slide assembled adjustable carriage(109-111) onto the chrome tube with laser cut height numbers. Attach 2 pulley housings at the top and bottom of the chrome tube while attaching it to the top and bottom frames.



Installation checklist for this step

5	Socket Head Cap Screw	M10X65	4
6	Spring Washer	Ø10	1
7	Flat Washer	Ø10	8
8	Hexagon Lock Nut	M10	4
9	Socket Head Cap Screw	M10X25	1
56	Elastic Stop Ring for Shaft Type A	Ø25GB/T89	1
107	Large Flat Washer	4.1-1986	1
108	Bird Adjustment Pipe	Ø10	1
109	Dynamic Arm Assembly		1
110	Pulley Bracket Rotation Assembly (2)		1
111	Pulley Rotation Bracket Assembly (1)		1

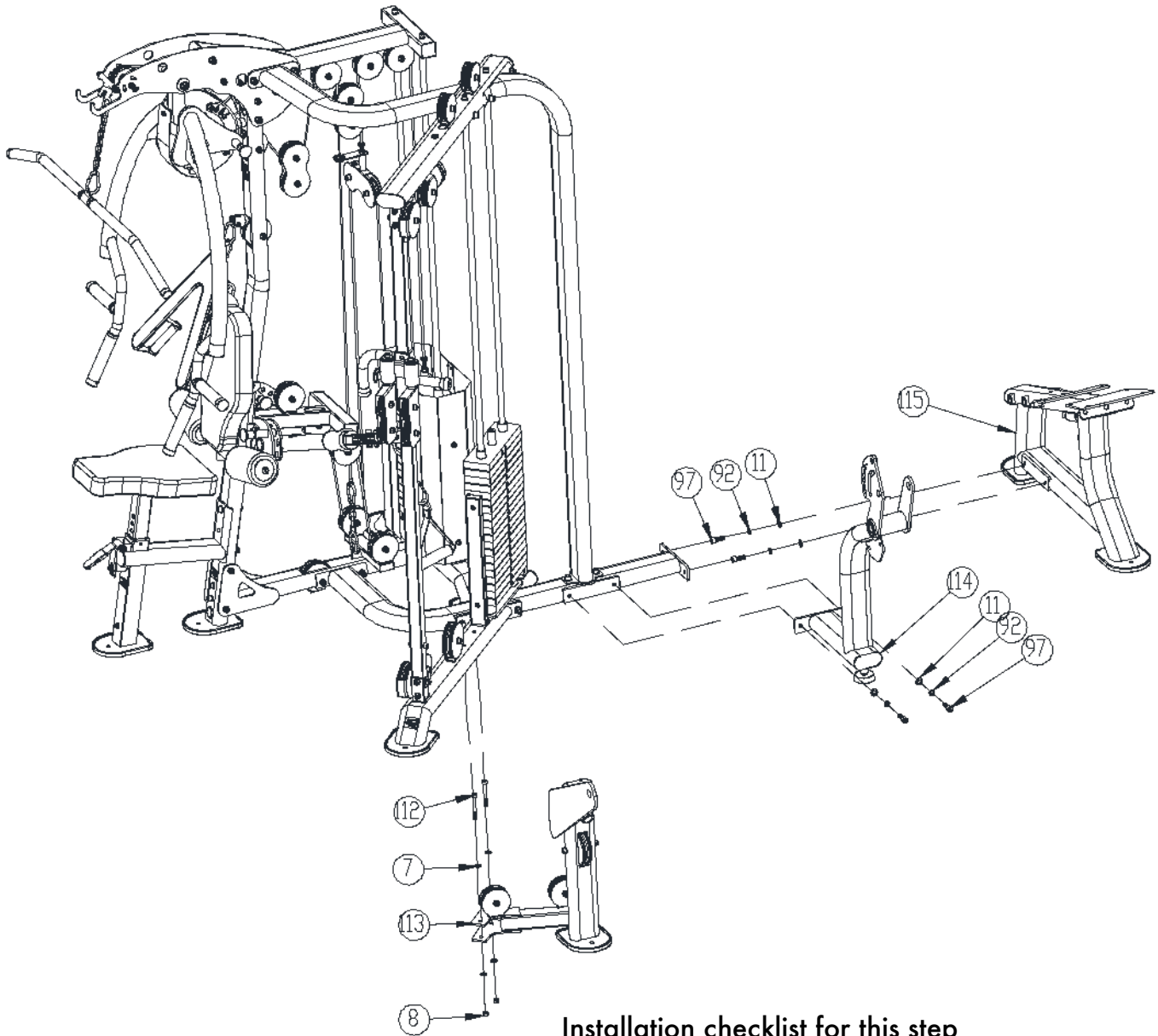
Installation completed image for reference.



STEP 13:

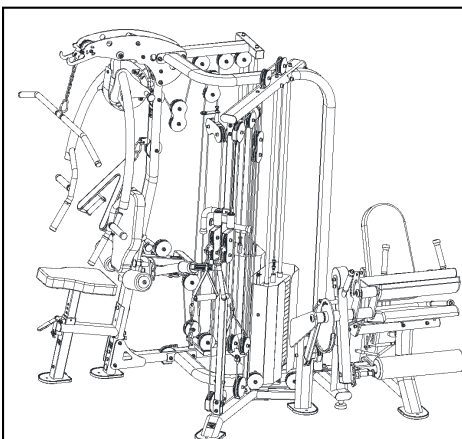
Attaching Leg Extension/Curl Seat and Cam support to the Frame

Attach Seat support tubing(15) to the frame. Attach cam support structure(15) and cable redirection structure(13) to the frame.



Installation checklist for this step

Installation completed image for reference.

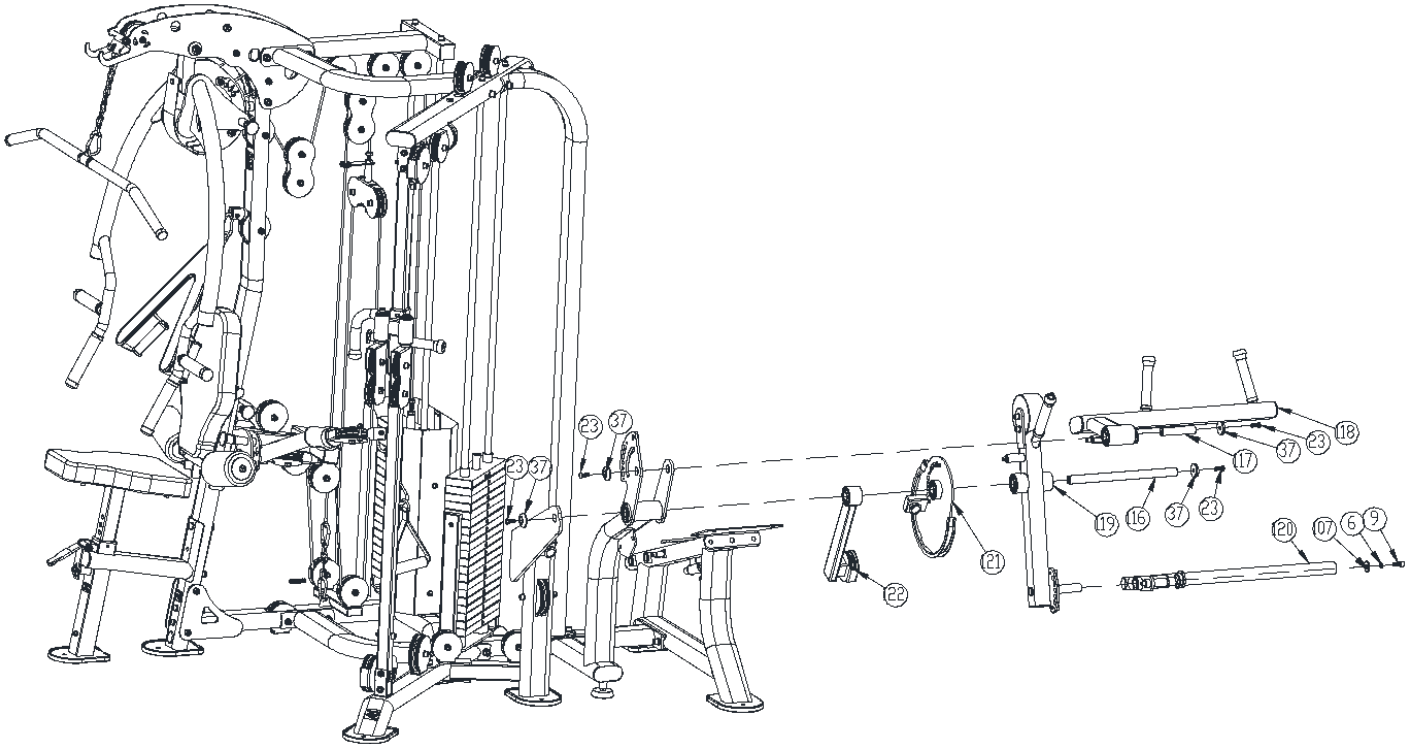


7	Flat Washer	Ø10	4
8	Hexagon Lock Nut	M10	2
11	Flat Washer	Ø12	4
92	Spring Washer	Ø12	4
97	Socket Head Cap Screw	M12X30	4
112	Socket Head Cap Screw	M10X80	2
113	Leg Extension Fixed Connection Assembly		1
114	Cam Support Bracket		1
115	Leg Extension Assembly		1

STEP 14:

Attaching Leg Curl Pad, Leg Extension/Curl Thigh pad, Cam, and Counterbalance Arm to Seat & Cam Structure

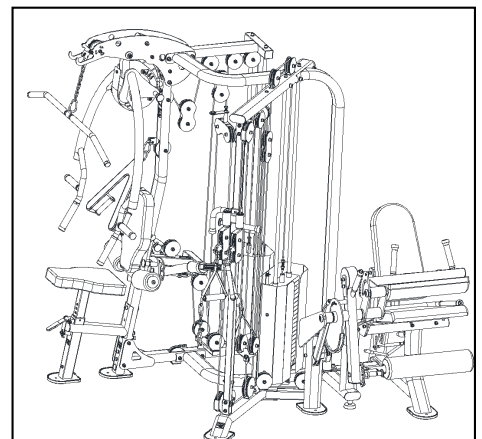
Slide the steel axle(16) through Leg Extension/Curl arm(19), Cam (21), and Counterbalance Arm(22) through the metal hub with the bearings inside on the cam support structure. Secure at either end with bolt(23) and chrome washer(37). Attach Leg Curl Thigh Pad(18)to cam support structure with axle(17),washer(37), and bolt(23). Attach Leg roller axle(20) to Leg Ext/Curl arm(19) with large washer(07), small washer(6) and bolt(9).



Installation checklist for this step

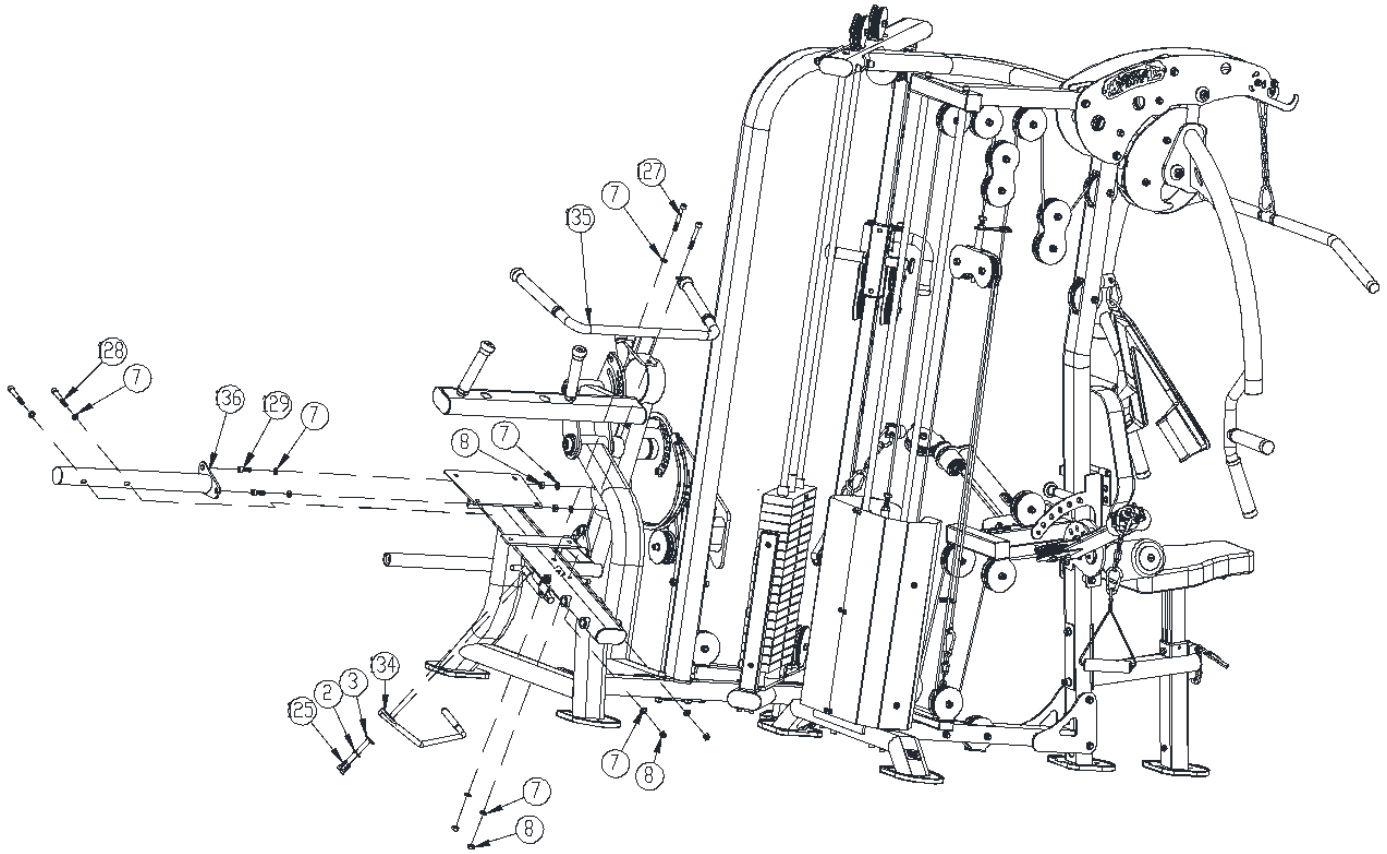
6	Spring Washer	Ø10	1
9	Socket Head Cap Screw	M10X25	1
23	Socket Head Countersunk Screw	M10X25	4
37	End Cap	Ø43.5* 11	4
107	Large Flat Washer	Ø10	1
116	Fixed Shaft	Ø25* 373	1
117	Fixed Shaft	Ø25* 115	1
118	Leg Press Assembly		1
119	Leg Press Adjustment Assembly		1
120	Leg Press Adjustment Fixing Assembly		1
121	Cam Disc Assembly		1
122	Kick Leg Directional Tube Assembly		1

Installation completed image for reference.



STEP 15:

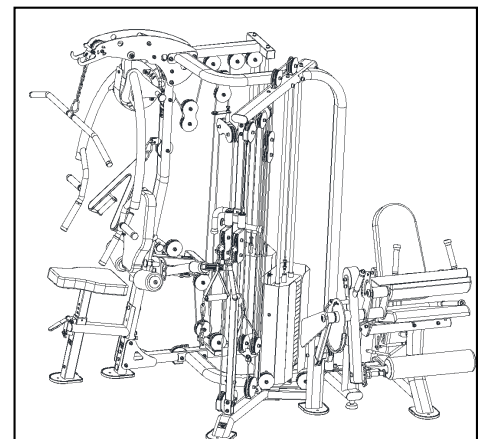
Attaching Seat Support Tube, Seat Handles, Cam, and Seat Back Adjustment Lever
 First attached the seat support tube(36) to the frame. Attach seat back adjustment lever(34) to the underside of the seat structure using bolts & washers(2,3,25). Attach seat handles(35) to seat support structure using bolts, washers, and nuts(27,7,8).



Installation checklist for this step

2	Spring Washer	Ø8	2
3	Flat Washer	Ø8	2
7	Flat Washer	Ø10	12
8	Hexagon Lock Nut	M10	6
125	Socket Head Cap Screw	M8X25	2
127	Socket Head Cap Screw	M10X75	2
128	Socket Head Cap Screw	M10X70	2
129	Socket Head Cap Screw	M10X30	2
134	Adjustment Handle Bracket		1
135	Armrest Bracket		1
136	Connection Pipe Assembly		1

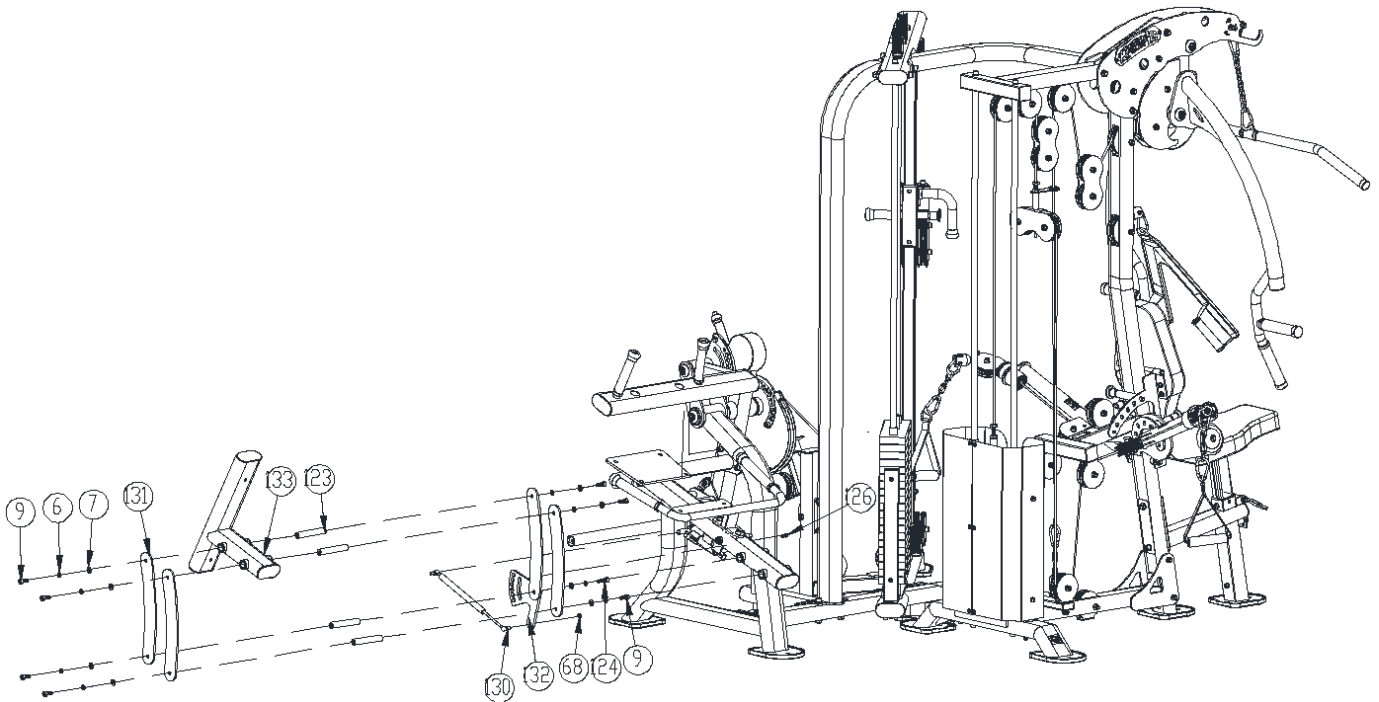
Installation completed image for reference.



STEP 16:

Attaching Seat Back Support Tube, Seat Handles, Cam, and Seat Back Adjustment Lever, Scissor Flat Strap, & Gas Piston to Seat Frame

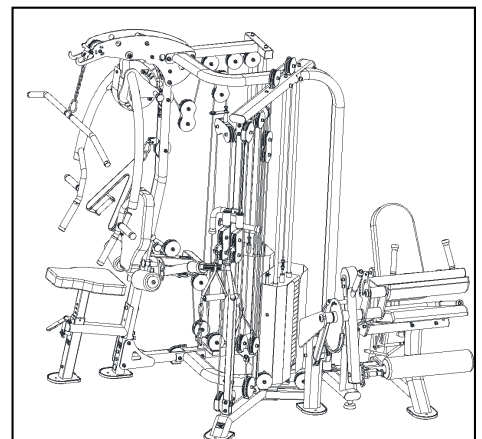
First attach the seat back support tube(33) to the 4 flat strap metal pieces (31, 32) using 4 axles(23). The axles go through the holes at back support tube at the top holes of the flat straps as well as through the bottom holes on the flat strap metal pieces secured by bolts,washers,and nuts (6,7,9).Note that one of the 4 flat straps has a pie shaped metal wedge with Holes and this must go in the forward most position. Attach the gas piston(30) to the flat strap(32)and to the upright tube under the seat.



Installation checklist for this step

6	Spring Washer	Ø10	8
7	Flat Washer	Ø10	8
9	Socket Head Cap Screw	M10X25	7
68	Hexagon Lock Nut	M8	1
123	Fixed Shaft	Ø20* 125	4
124	Socket Head Cap Screw	M10X35	1
126	Socket Head Cap Screw	M8X16	1
130	Gas Spring		1
131	Connecting Rod Plate	385*70*T6	3
132	Backrest Adjustment Bracket		1
133	Backrest Frame		1

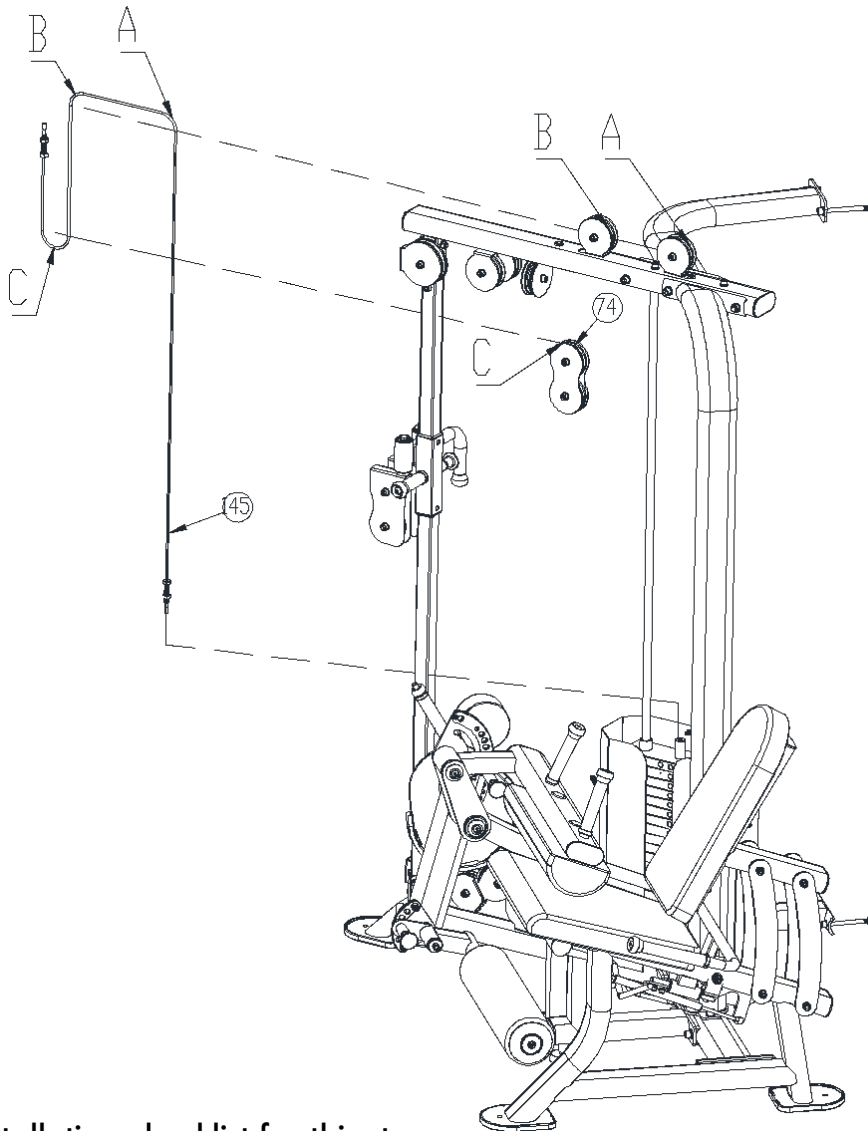
Installation completed image for reference.



STEP 17:

Attaching Short Cable to Hi/Lo Pulley/Leg Extension Frame

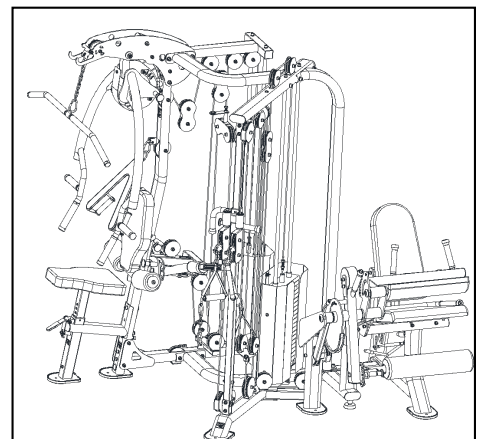
First attach the cable(145) to the weight stack selector frame. Thread the cable thru the hole at the top of the oval tubing frame then up and over pulleys(A,B) down thru next hole in the frame, then under the top pulley(74) of the dual pulley housing(C). Screw the bolt at the end of the cable into the socket on the underside of the oval tubing frame.



Installation checklist for this step

74	Double Pulley Assembly		1
145	SM01-6 Steel Wire Rope	Ø5*2295	1

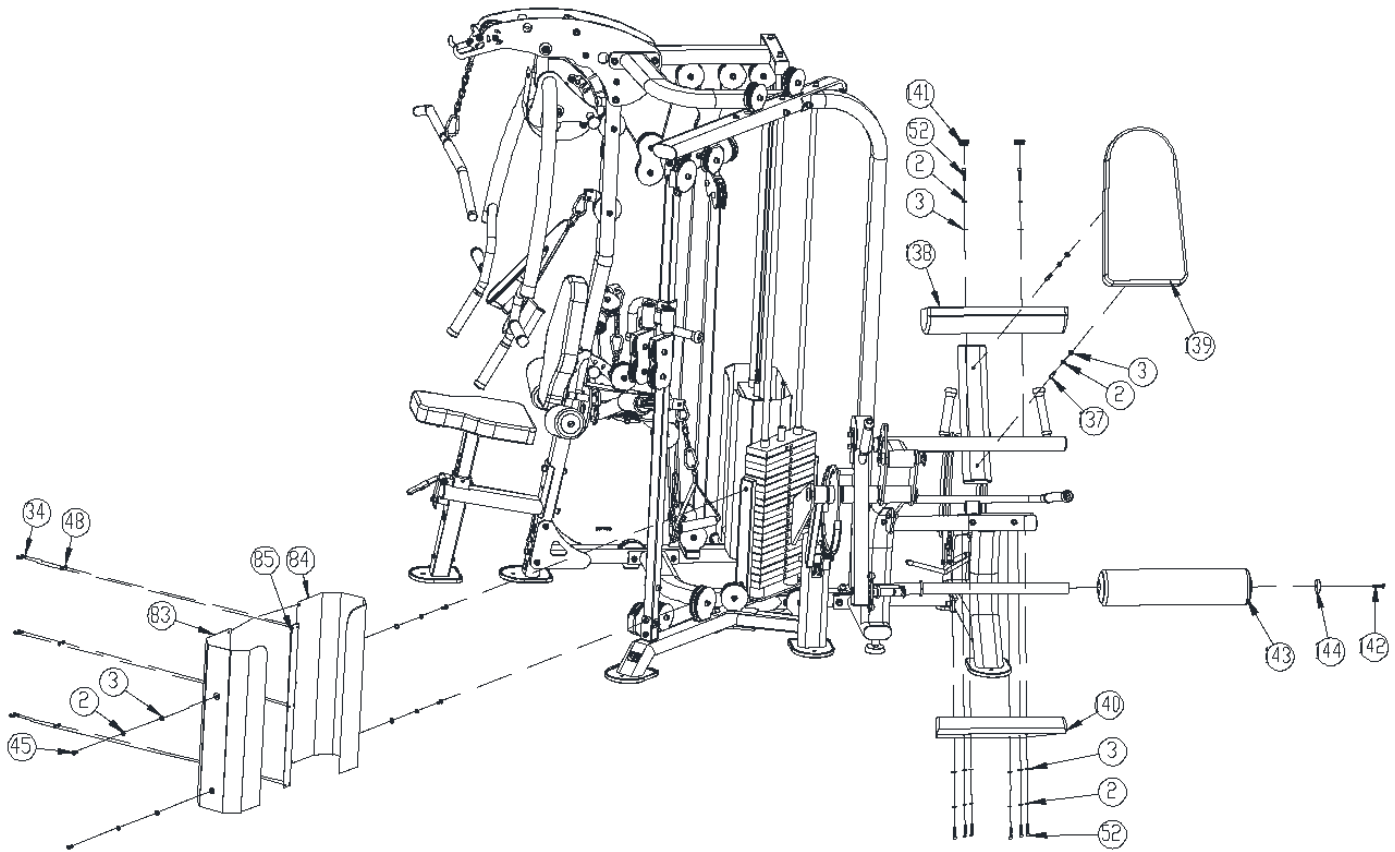
Installation completed image for reference.



STEP 18:

Attaching the Pads, Roller, and Weight Shrouds.

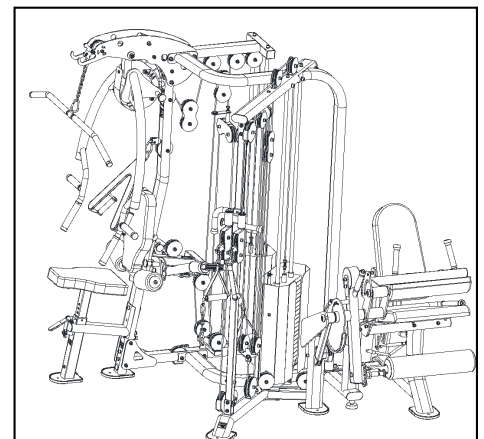
Attach metal weight stack shrouds (83,84) around the weight stack using the connector metal flat strap (85) to secure the 2 halves. Attach seat pad & back(39,40),thigh pad(38),and leg roller(43) using hardware shown.



Installation checklist for this step

2	Spring Washer	Ø8	14
3	Flat Washer	Ø8	14
34	Socket Head Countersunk Screw	M6X10	6
45	Socket Head Countersunk Screw	M8X20	4
48	Flat Washer	Ø6	6
52	Socket Head Cap Screw	M8X35	8
83	Left Protective Plate	503.5*600*T1.2	1
84	Right Protective Plate	503.5*600*T1.2	1
85	Protective Plate Fixing Plate	40*600*T3	1
137	Socket Head Cap Screw	M8X75	2
138	Leg Press Pad	165*90*500	1
139	Backrest	560*300*60	1
140	Seat Cushion	485*470*60	1
141	Round Tube Plug	38*T3	2
142	Socket Head Countersunk Screw	M10X35	1
143	Round Foam	S30008-50-01-02 Round Foam (with inner tube), black.	1
144	Aluminum Cover	50*10.5*11.88	1

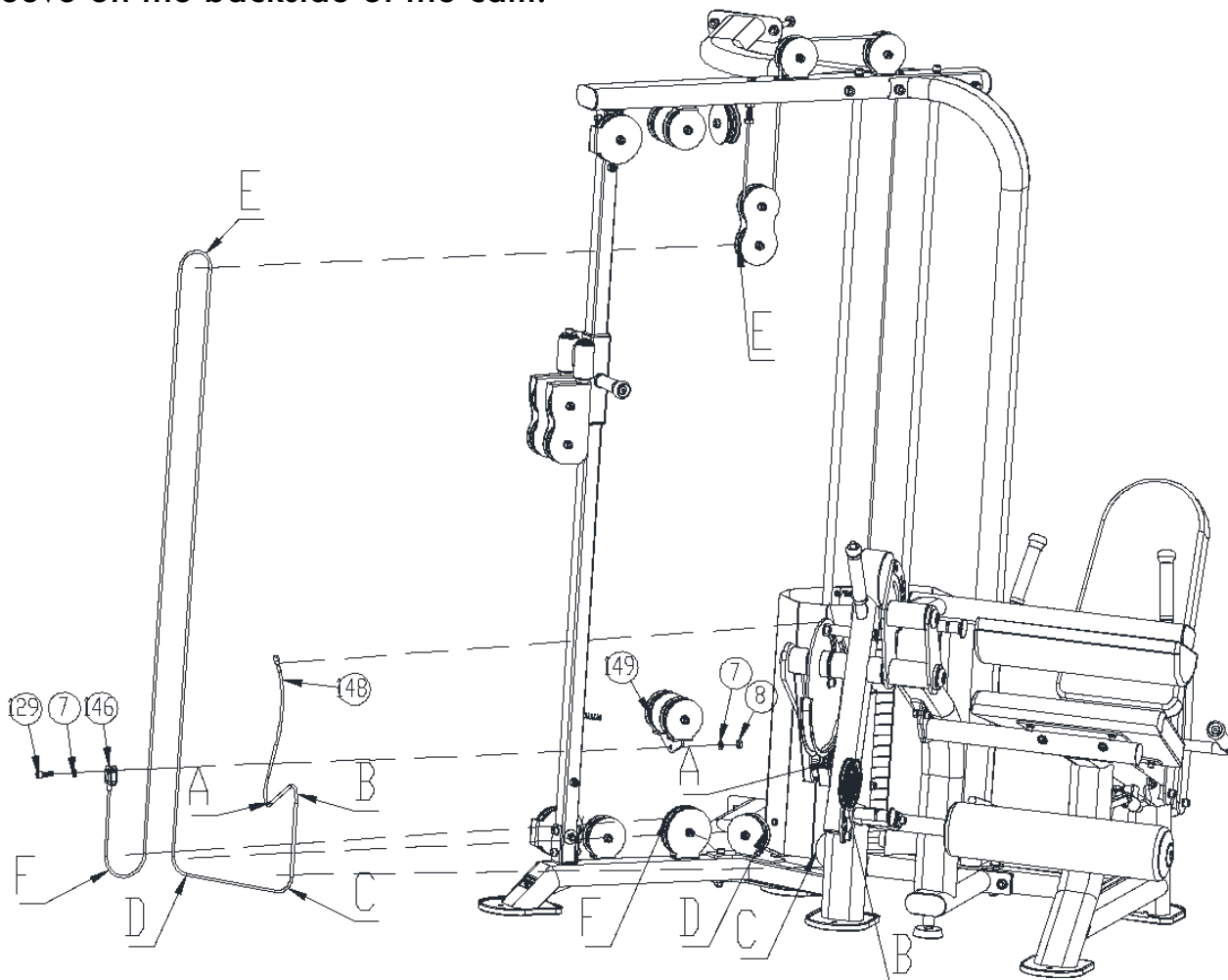
Installation completed image for reference.



STEP 19:

Threading Leg Extension/Leg Curl Cable

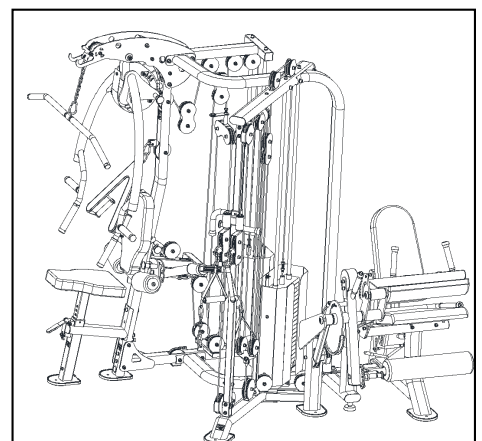
Start with the end of the cable(48) that has the metal clasp/eyelet(46)on the end and bolt the cable to the bottom of dual pulleys(49). Thread cable thru Pulley(F)then up and over the bottom pulley(E)then down and under pulleys(D & E). Cable then goes top of pulley(B)and under pulley(A). The ball end(48) then goes into the metal sleeve on the backside of the cam.



Installation checklist for this step

7	Flat Washer	Ø10	2
8	Hexagon Lock Nut	M10	1
129	Socket Head Cap Screw	M10X30	1
146	Wire Rope U-Clamp	45*26*18	1
148	SM1-5 Steel Wire Rope	Ø5*1700	1
149	Double Pulley Seat Assembly		1

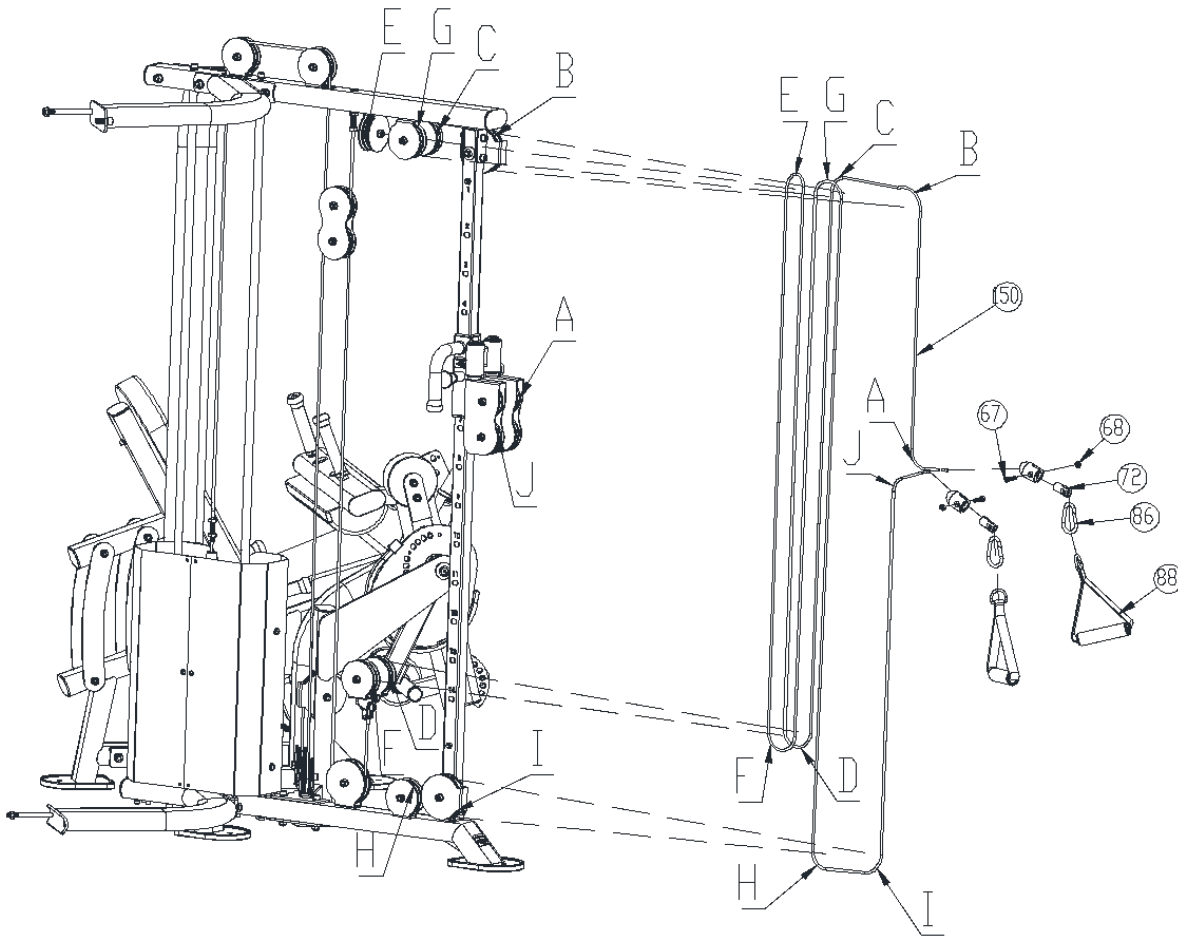
Installation completed image for reference.



STEP 20:

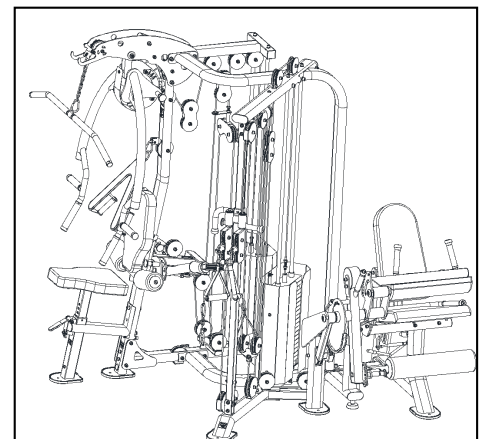
Threading Adjustable Height Hi/Low Pulley Cable.

Take off the rounded plastic end of the cable(50) removing bolts and nut (67,68). Slide cable out of plastic then remove the inner metal retainer thru the open slot on the side of the retainer. This will allow the cable to pass thru all pulley housings without having to remove pulleys. Thread cable end(A) through the middle of Pulley housing(J) then down and under Pulleys(I & H). Continue up and over Pulley(G) then down and under pulley(F) then up and over pulley(E) then down and under pulley(D). Continue up and over pulley(C) then across to pulley(B) then down to pulley(A). Thread the cable under and attach the black ball, metal retainer, bolt and nut but attach caribiner(86) around the bolt(67) before tightening. Handles clip on!



Additional Note:
The cable ensemble may twist and get tangled. Therefore it is important to thread the cable through 4 holes in the metal plate provided in the same order as the threading over the pulleys go... G,F,E,D,C.

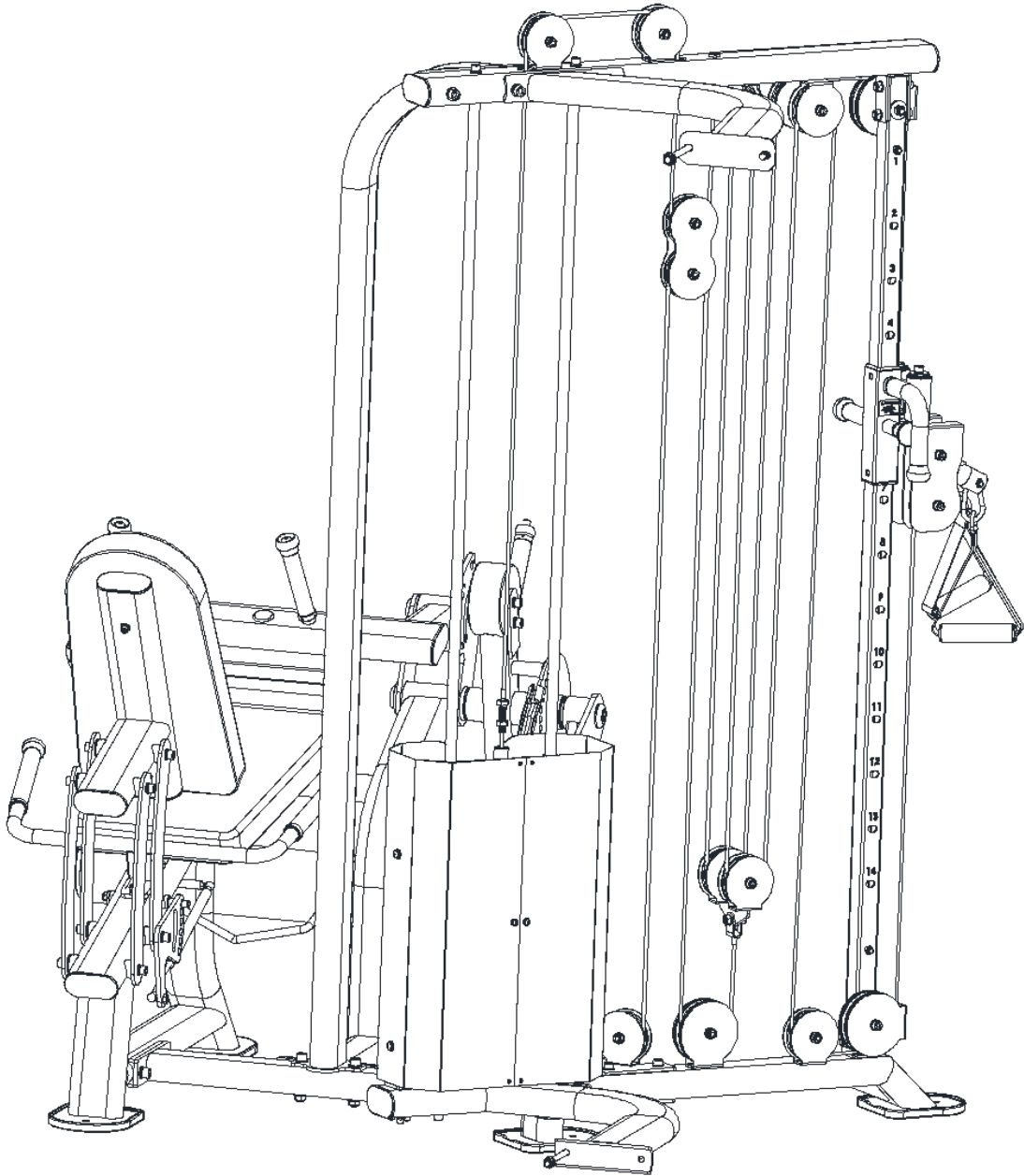
Installation completed image for reference.



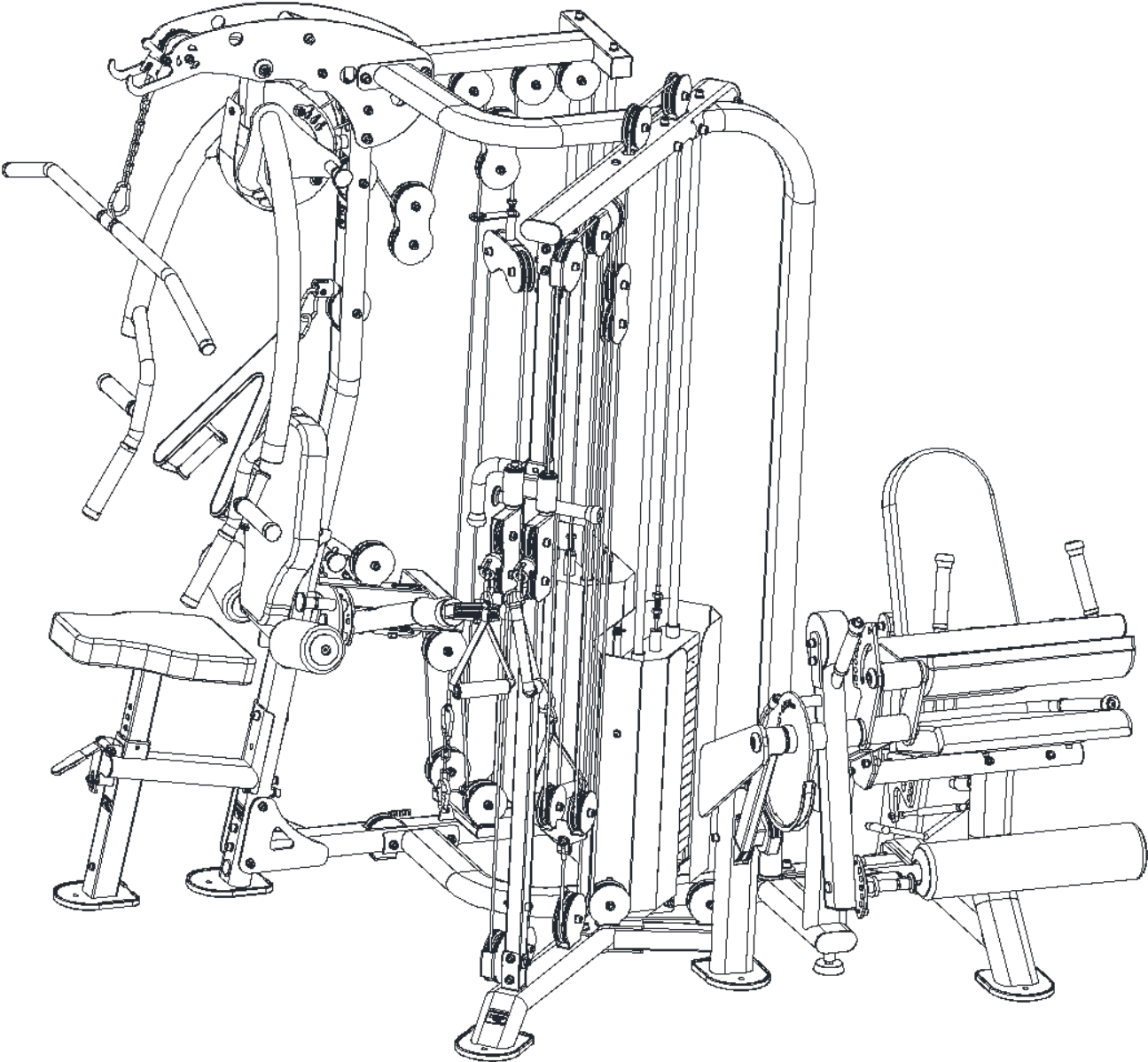
Installation checklist for this step

67	Socket Head Cap Screw	M8X30	2
68	Hexagon Lock Nut	M8	2
72	Wire Rope Clamp	39*56.8	2
86	Hook Pulley	50*82*8	2
88	Single Pull Handle	Purchase according to the diagram.	2
150	SM1-7 Steel Wire Rope	Ø5*10250	1

Installation completed image for reference. (BACK)



Installation completed image for reference. (FRONT)



03/ Product Description

This machine is indoor fitness equipment suitable for aerobic cardiovascular exercise. Its primary purpose is to increase cardiovascular function, with muscle training as a secondary aspect. It targets various muscle groups such as the chest muscles, aiming to achieve strength and bodybuilding goals.

The machine utilizes graphical illustrations to demonstrate the correct usage and muscle exercises, making it easy to understand.

Weight selection is facilitated through the use of counterweight assemblies, allowing users to conveniently adjust resistance according to their needs.

The design and manufacture of this machine adhere to human body movement trajectories, ensuring safety and durability. It complies with the standards outlined in GB17498.1-2008 and GB17498.2-2008, further ensuring safety and durability.

The machine is constructed using large-diameter steel pipes and undergoes electrostatic spraying treatment, guaranteeing safety, reliability, and durability.

04/ Product Parameters

Name	Megatron Corner Gym	Model Number	MT-CG
Dimensions	100" x 86" x 84", L x W x H		
Machine Net Weight	1250 lb		

05/ Maintenance Guide

1. The bolts of each part of the machine should be regularly inspected to ensure tightness, and rotating parts should move flexibly without abnormal noise.
2. The machine should be kept clean, but do not use strong cleaning solvents for wiping.
3. If any stressed components are worn or damaged, they should be replaced immediately. Do not use the machine until repairs are completed.