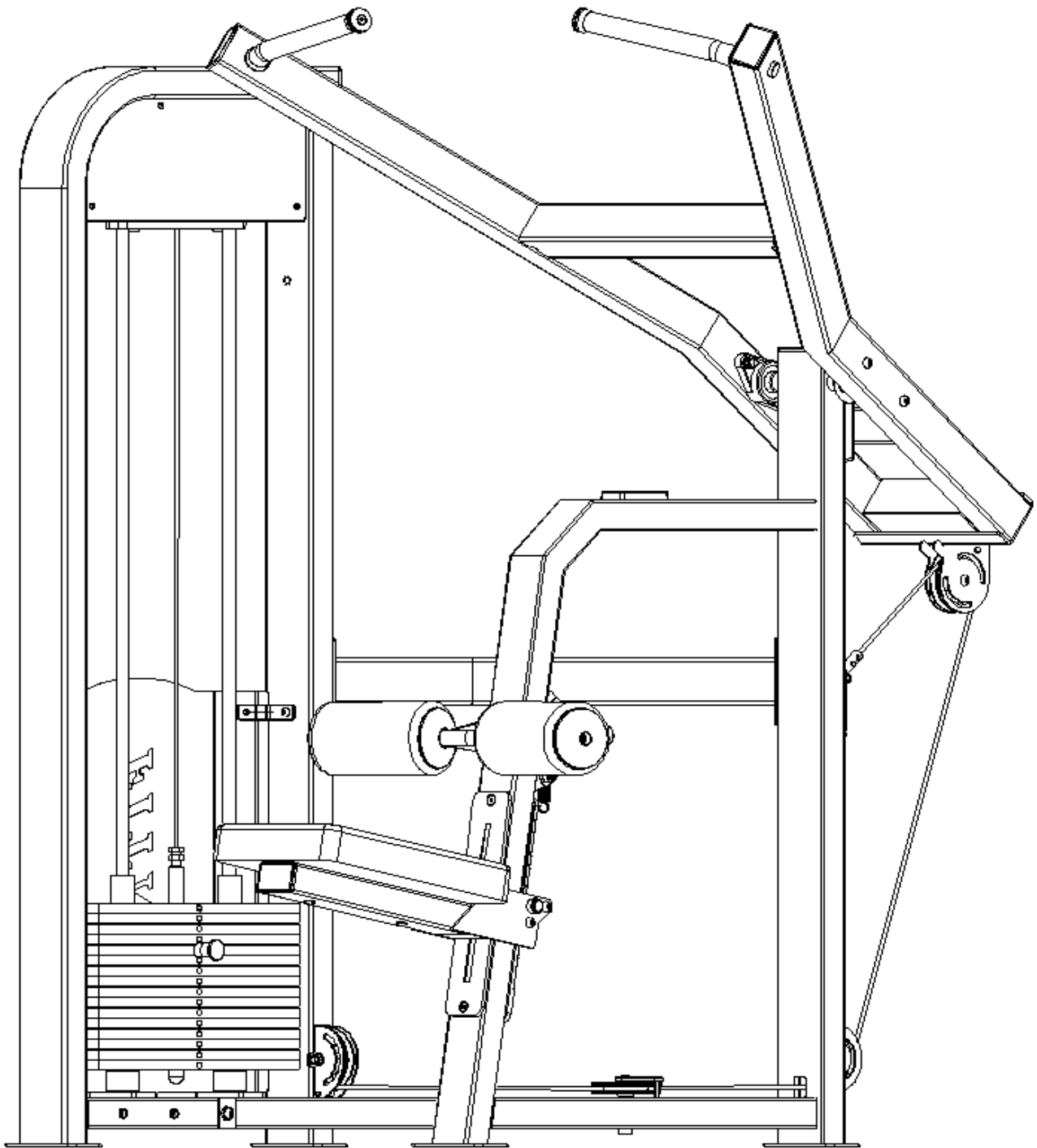
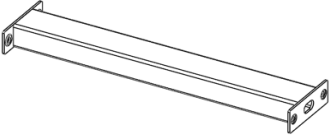
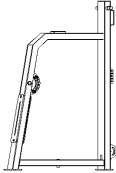
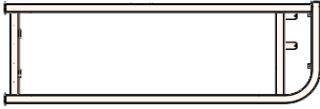
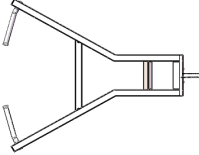
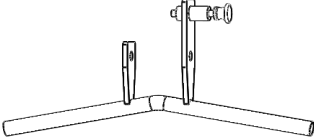
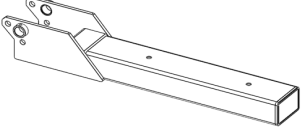

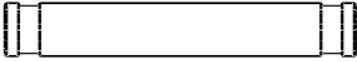
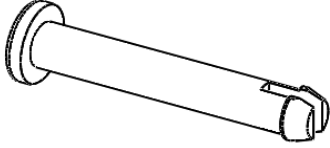
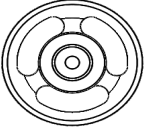
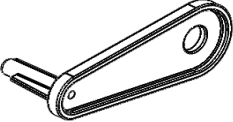
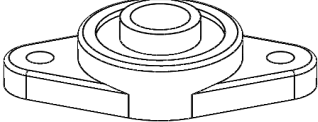
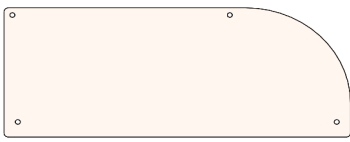

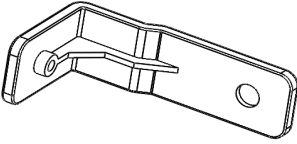
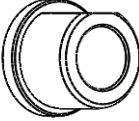





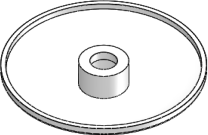
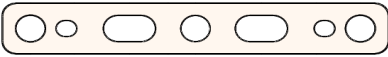





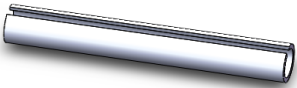
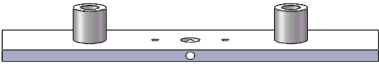
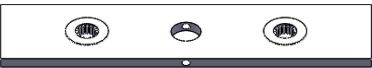

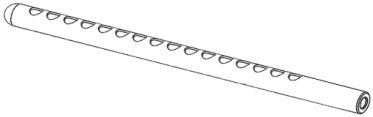
GC-5008 Lat Pulldown

Installation Standard Instructions



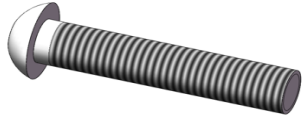
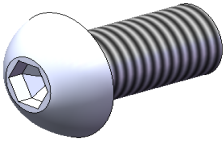
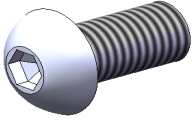

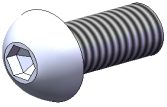
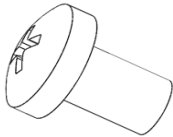
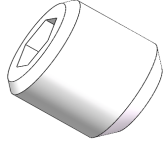
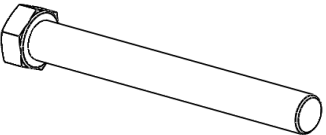
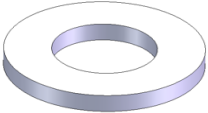
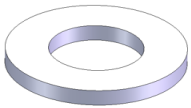
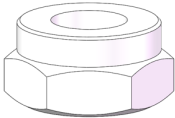
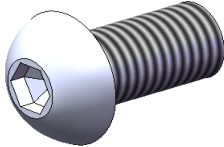
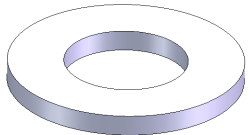
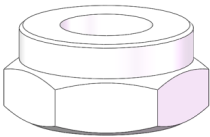
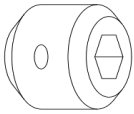


Parts list (individually packaged)

					
No.1	Lower connection component*1 pc	No.2	Main frame assembly*1 pc	No.3	Weight Plates Mounting Frame* 1 pc
					
No.4	Boom assembly*1 pc	No.5	Leg fixed adjustment assembly*1 pc	No.6	Reverse seat sub assembly*1 pc
					
No.7	Upper connection component*1 pc	No.8	Φ18*116mm shaft*1 pc	No.9	Cable Limited pin*2 pcs
					
No.10	Pulley*1 pc	No.11	Cable Limited cover*3 pcs	No.12	Bearing seat*2 pcs
					
No.13	Label board*2 pcs	No.14	Guard board*1 pc	No.15	Weight plate frame mounting brackets *4 pcs
					
No.16	Metal sleeve*2 pcs	No.17	Cushion*1 pc	No.18	Foam roller*2 pcs

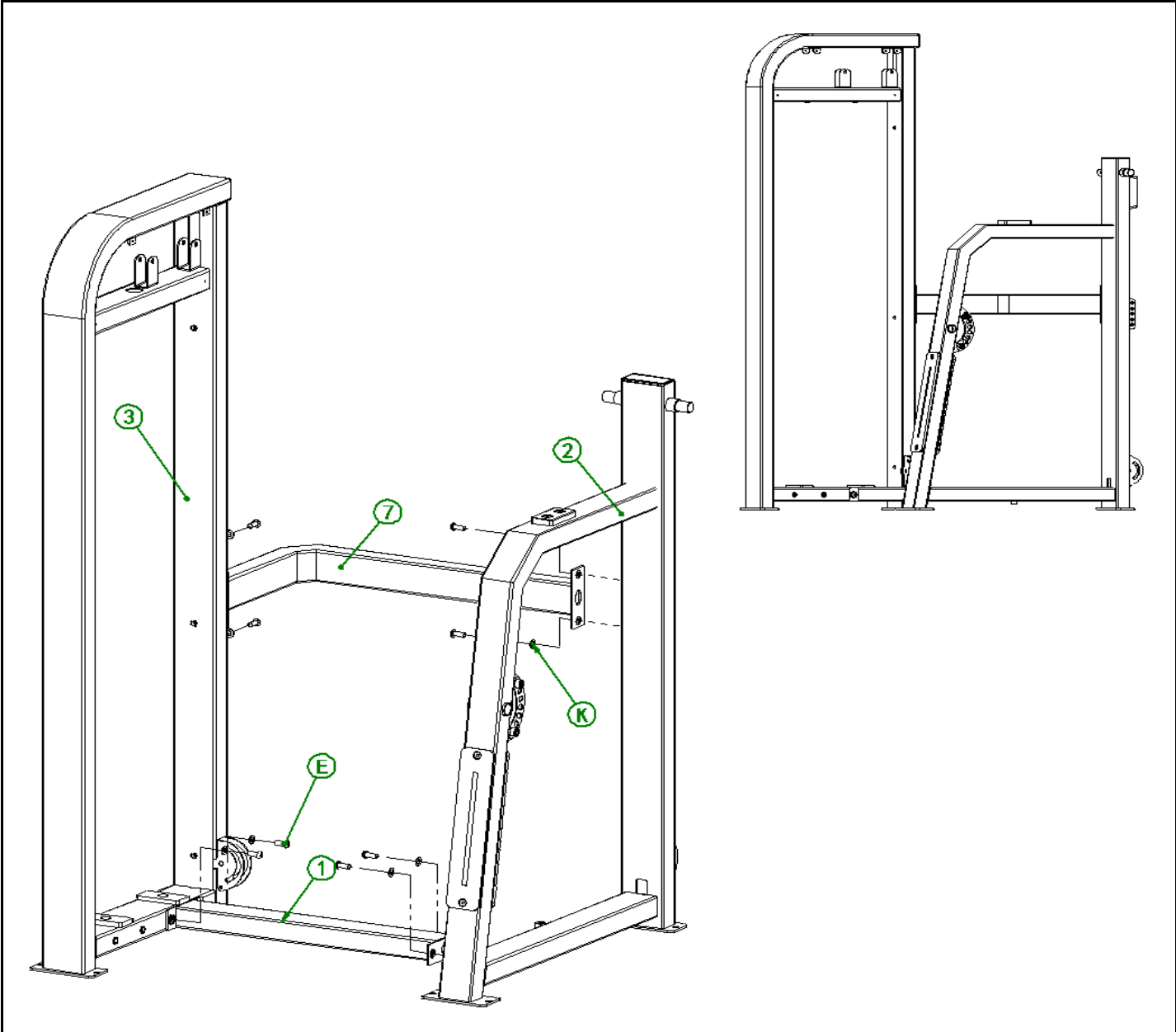
					
No.19	Foam bucket inner cover*2 pcs	No.20	Foam bucket cover*2 pcs	No.21	guide rod fixing plate*1 pc
					
No.22	Tension spring*1 pc	No.23	Φ20*1417mm guide rod*2 pcs	No.24	Joint bearing*1 pc
					
No.25	Cable*1 pc	No.26	Counterweight latch*1 pc	No.27	Cotter pin*1 pc
					
No.28	Counterweight assembly*1 pc	No.29	Weight plate*15 pcs	No.30	Rubber column*2 pcs
					
No.31	15-hole center rod*1 pc				

Blister Pack Screws List

					
A	10*105 dome head screw*2pcs	B	10*80 dome head screw*4pcs	C	10*45 dome head screw*6pcs
					
D	10*30 half round head screw*4 pcs	E	M10 25 Half Round Head Screws*8 pcs	F	M8*70 dome head screw*2pcs
					
G	8*20 dome head screw*4pcs	H	5*8 Phillips round head screws*12 pcs	I	8*12 jbckscrew *2 pcs
					
J	16*130 Hexagon Screw*1 pc	K	Φ10 gasket*20 pcs	L	Φ8 gasket*2 pcs
					
M	M10 anti-loosening nut*12 pcs	N	M10*35 dome head screw*1 pc	X	Ø16 gasket*1 pc
					
Y	M16 anti-loosening nut*1 pc	Z	6*5 jbckscrew*2 pcs		

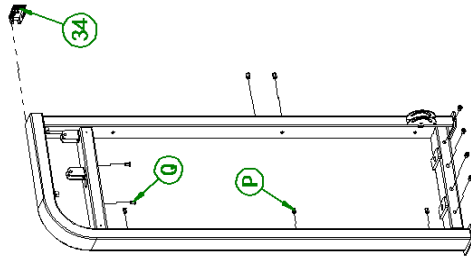
Assembly steps

No.	Item No.	Name	Quantity	Item No.	Name	Quantity
1	No.1	Connecting support components	1	K	Φ10 gasket	8
	No.2	Main frame components	1	E	M10*25 Dome head screw	8
	No.3	Weight Plates Mounting Frame	1			
	No.7	Bend connection components	1			



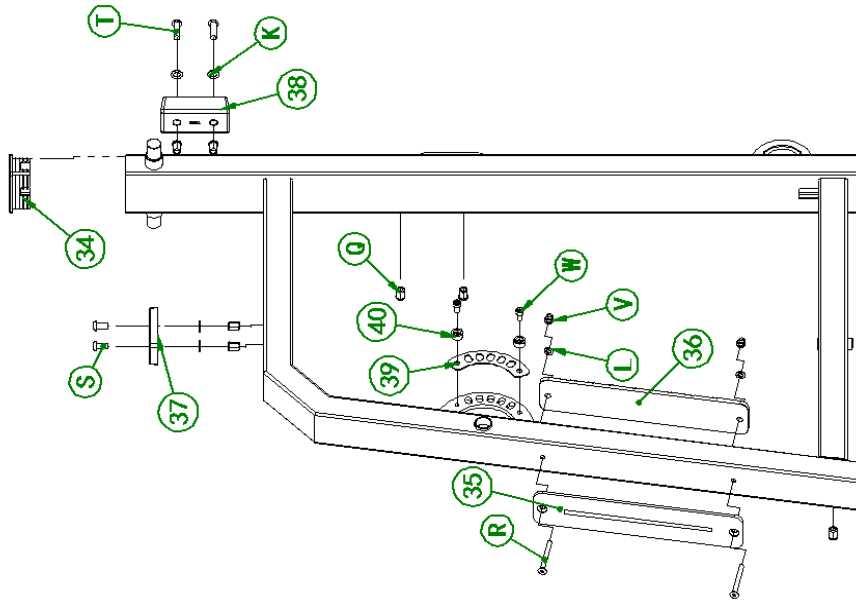
No.3 Weight Plates Mounting Frame* 1 pc

No.	Item No.	Name	Quantity	Item No.	Name	Quantity
	No.34	50*100 square tube plug	1			
	Q	M10 rivet nut	8			
	P	M8 rivet nut	6			



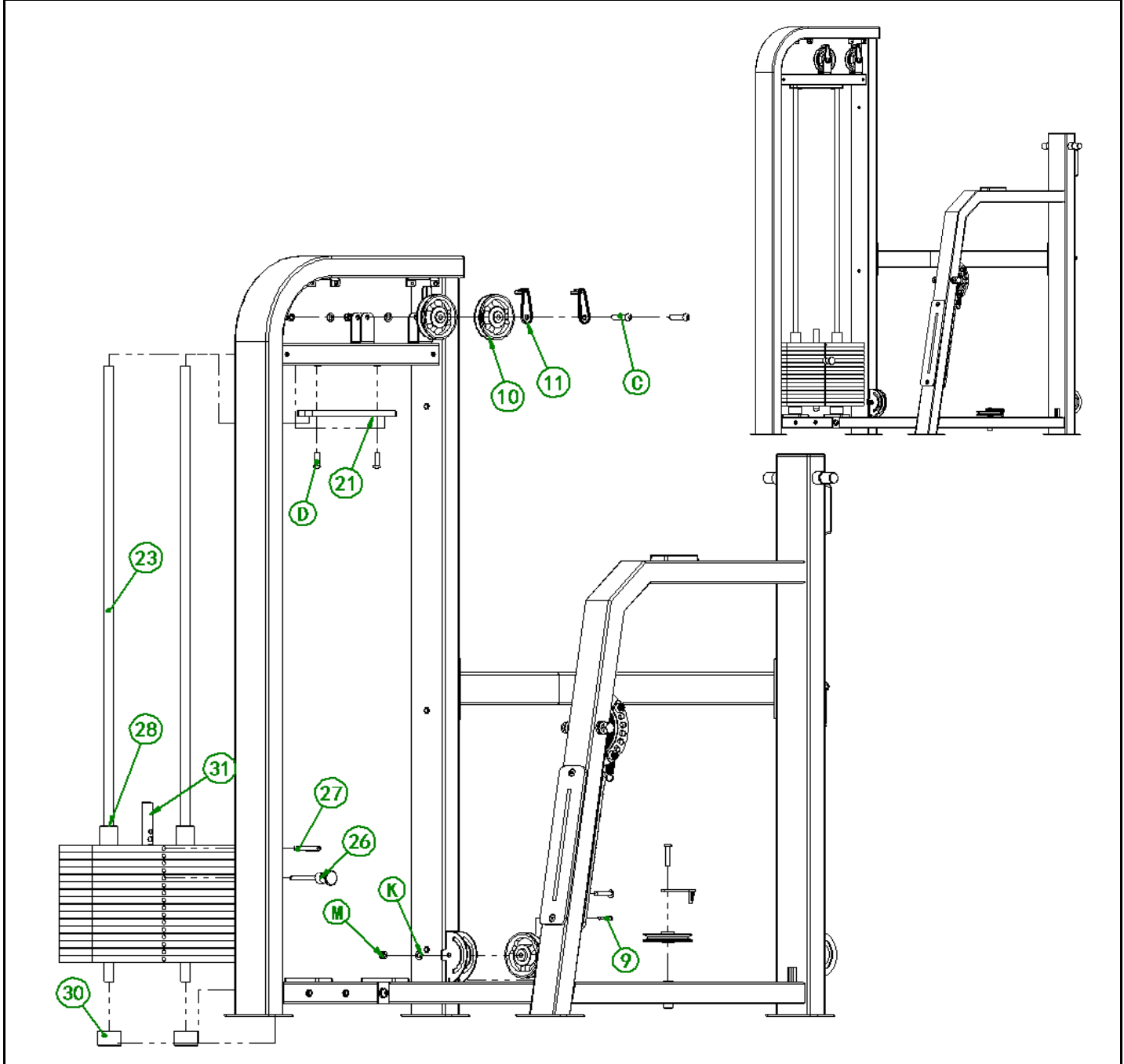
No. 2 Main Frame Assembly*1 pc

No.	Item No.	Name	Quantity	Item No.	Name	Quantity
	No.34	50*100 square tube plug	1	No.39	Stainless Steel Adjustment Plate	1
	No.35	Scale plate	1	No.40	limit post	2
	No.36	card board	1	R	M8*75 Flat Head Screws	2
	No.37	Shock-absorbing PAD	1	S	M10*20 Dome head screw	2
	No.38	No.590 Shock-absorbing PAD	1	L	Φ8 gasket	2
	T	M10*35 Dome head screw	2	Q	M10 rivet nut	6
	V	M8 Nut	2	K	Φ10 gasket	4
				W	M8*16 cylindrical head screw	2



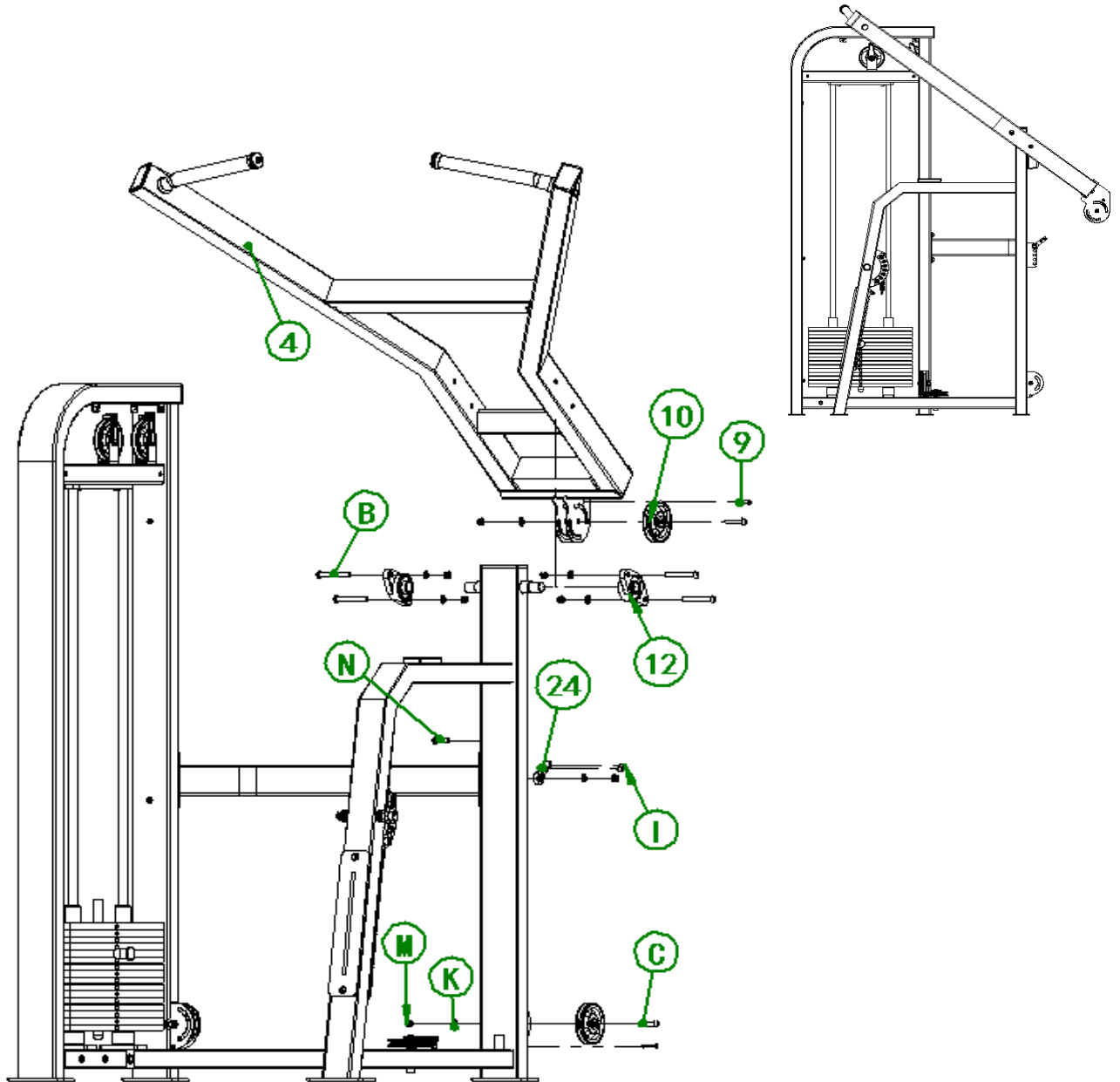
Assembly steps

No.	Item No.	Name	Quantity	Item No.	Name	Quantity
2	No.23	guide rod	2	No.10	pulley	4
	No.28	Counterweight assembly	1	No.11	pulley rope limited	3
	No.30	rubber column	2	No.9	Cable Limited Pin	1
	No.31	center rod	1	M	M10 lock nut	3
	No.26	Counterweight Latch	1	K	Φ10 gasket	3
	No.27	10*70 cotter pin	1	C	M10*45 Dome head screw	4
	No.21	guide rod fixing plate	1	D	M10*30 Dome head screw	2



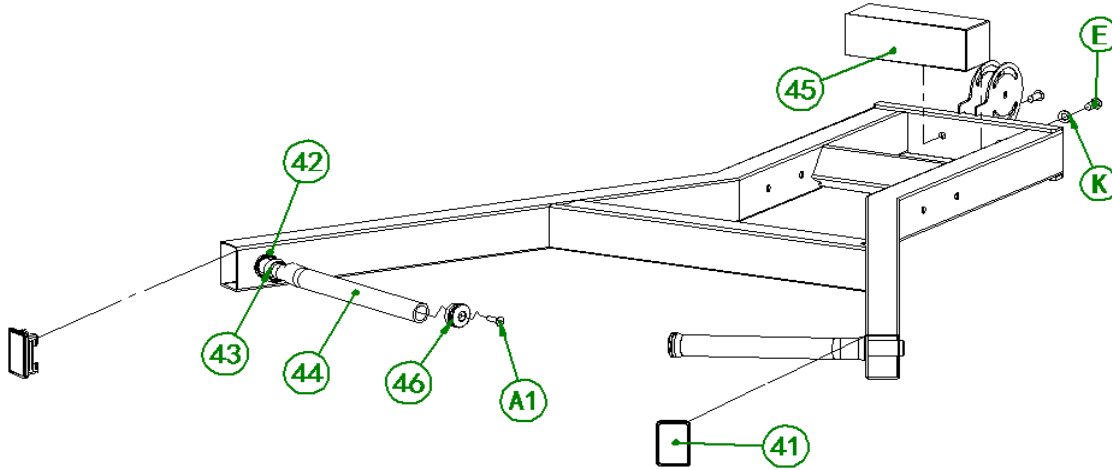
Assembly steps

No.	Item No.	Name	Quantity	Item No.	Name	Quantity
3	No.9	Cable Limited pin	2	B	M10*80 Dome head screw	4
	No.10	Pulley	2	N	M10*35 Dome head screw	1
	No.12	Bearing seat	2	I	8*12 jbscrew	2
	No.4	Boom assembly	1	C	M10*45 Dome head screw	2
	No.24	Joint bearing	1	M	M10 lock nut	5
					K	Φ10 gasket



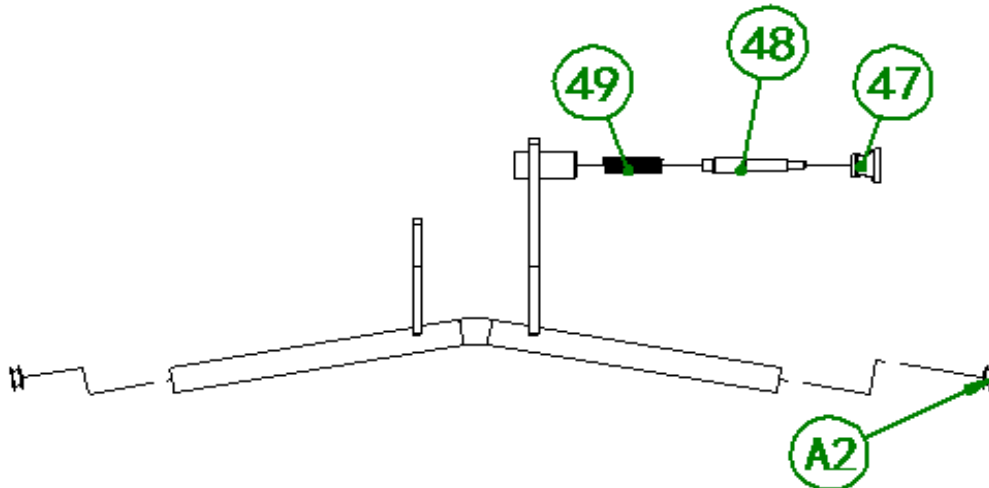
No. 4 Boom Assembly*1 pc

No.	Item No.	Name	Quantity	Item No.	Name	Quantity
	No.41	50*75 square tube plug	2	No.45	Counterweight	1
	No.42	small yellow ring	2	No.46	Aluminum end cap	2
	No.43	After five set rings	2	E	M10*25 Dome head screw	2
	No.44	Rubber Ø25*290mm	2	K	Φ10 gasket	2
	A1	M8*25 Flat Head Screws	2			



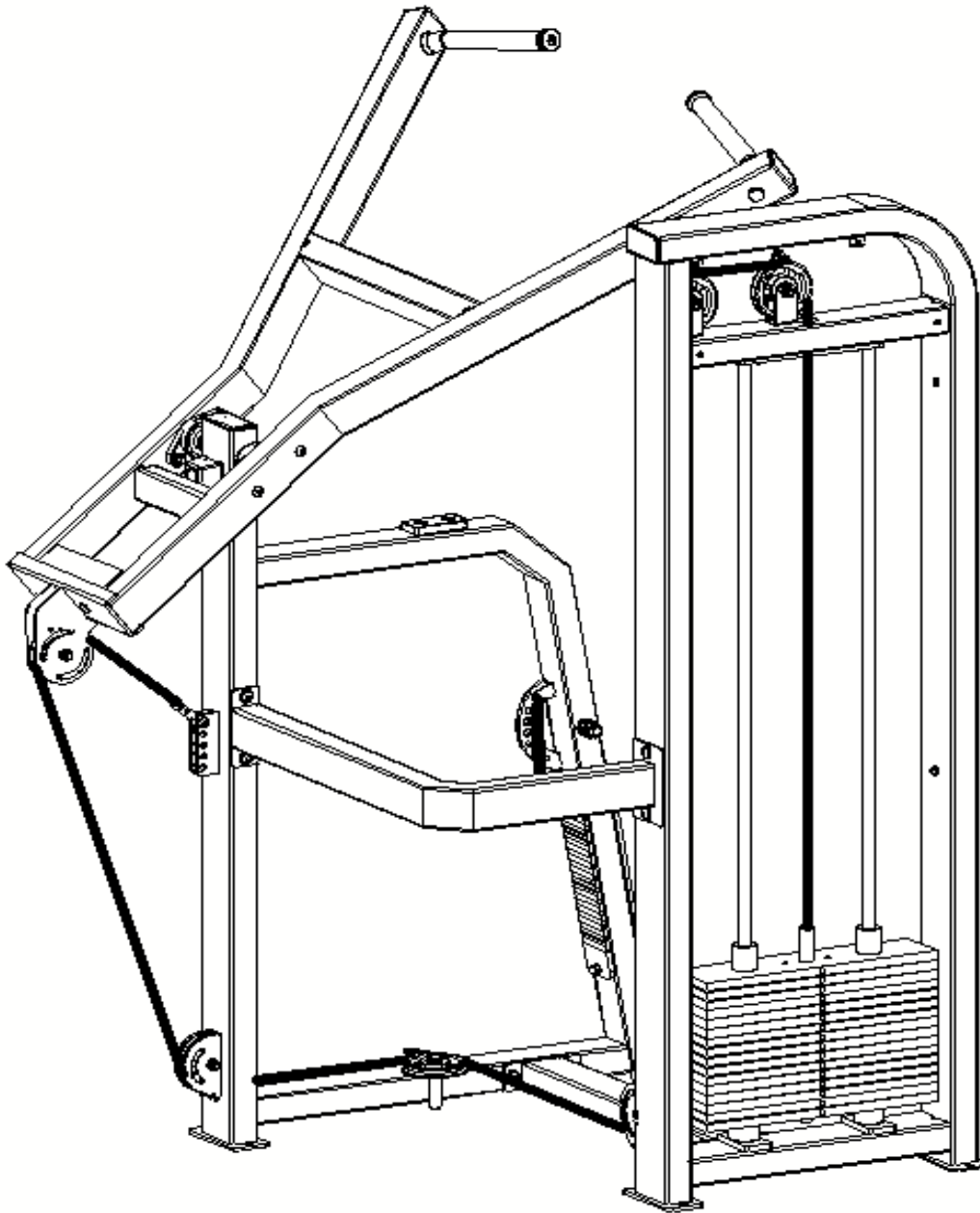
No.5 Leg fixed adjustment assembly*1 pc

No.	Item No.	Name	Quantity	Item No.	Name	Quantity
	No.47	Aluminum alloy spring pin	1	A2	M10 star nut	2
	No.48	plug	1			
	No.49	spring	1			



Assembly steps

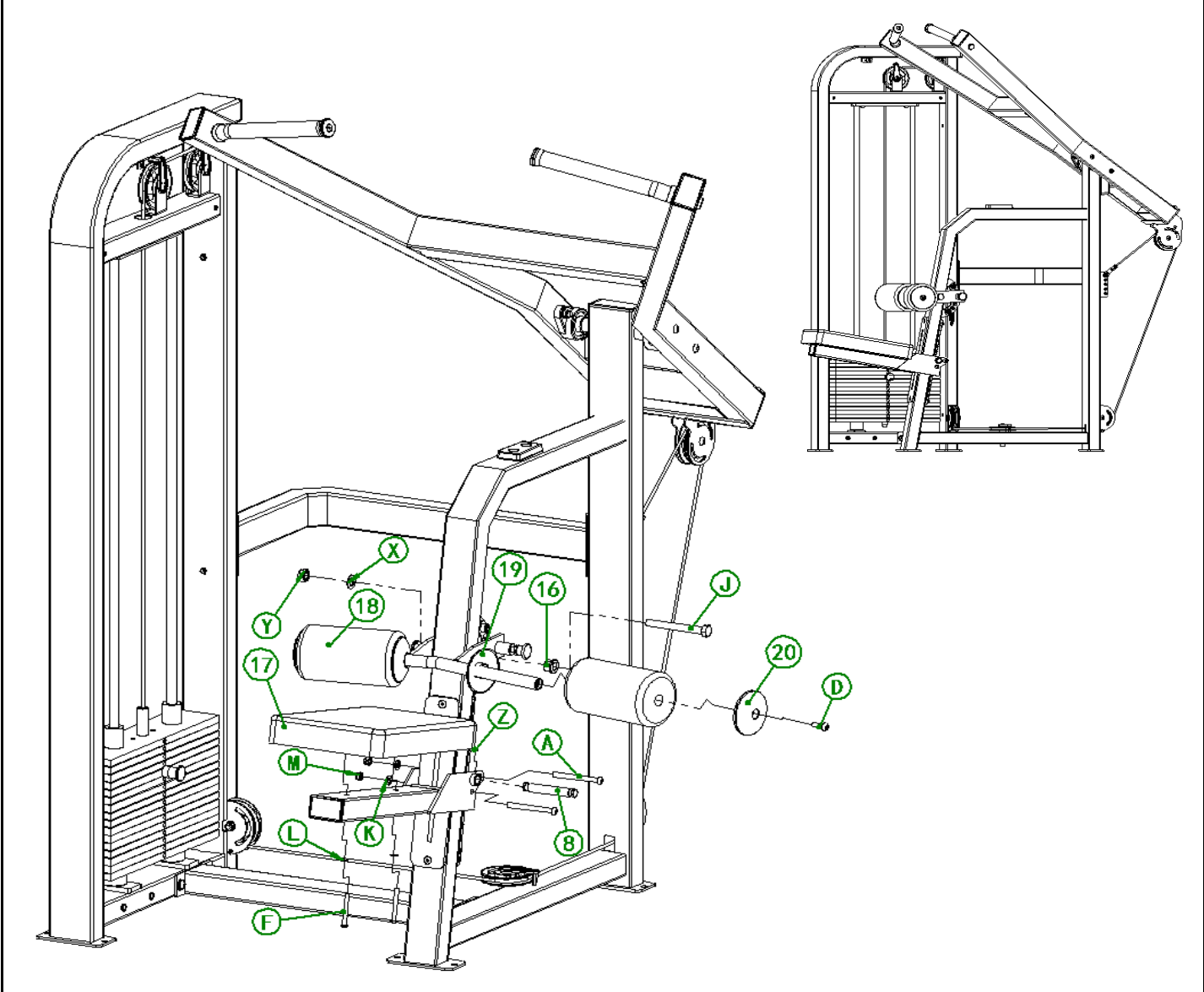
No.	Item No.	Name	Quantity	Item No.	Name	Quantity
4	No.25	Cable	1			



Cable routing diagram

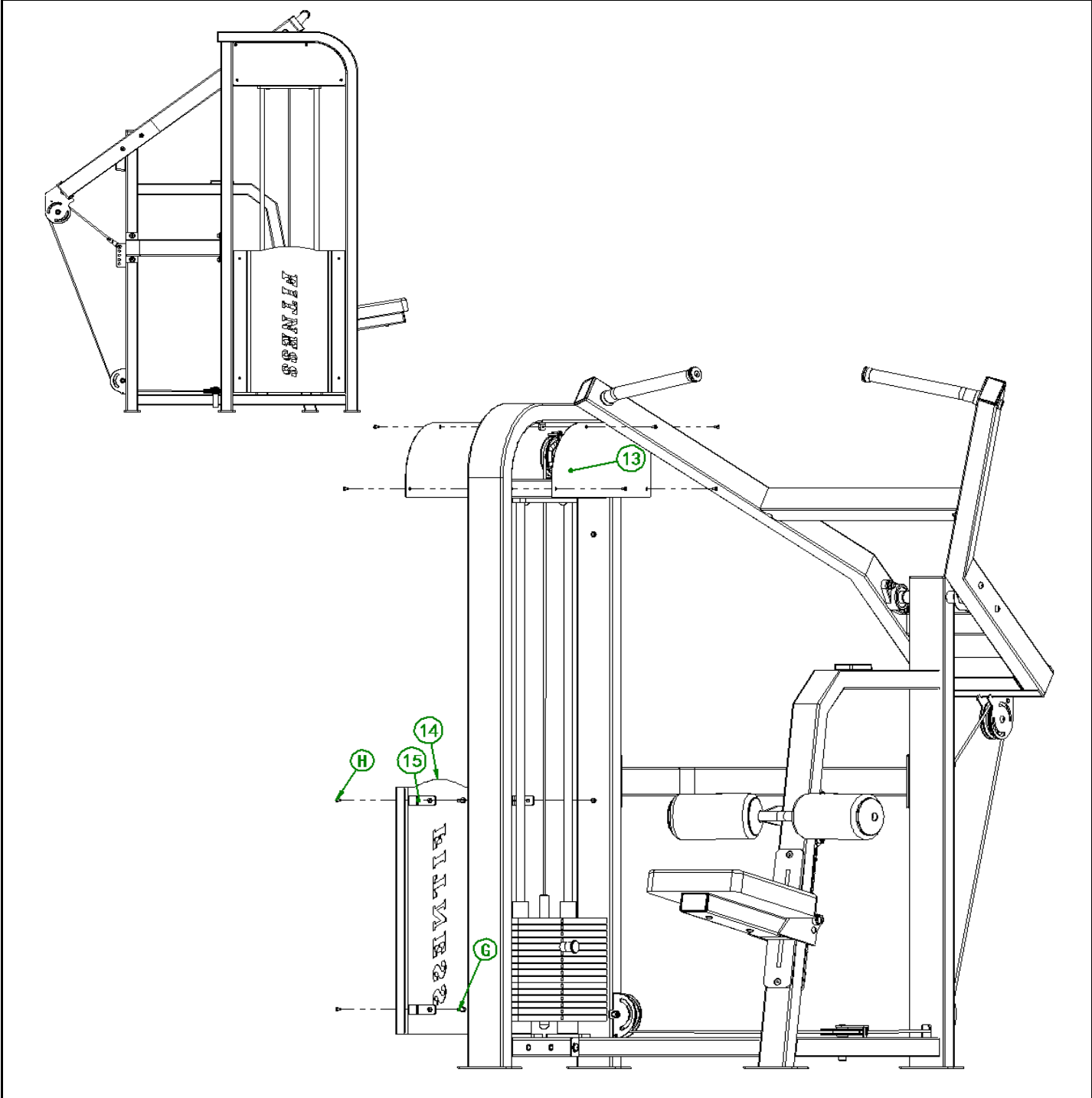
Assembly steps

No.	Item No.	Name	Quantity	Item No.	Name	Quantity
5	No.16	Metal sleeve	2	D	M10*30 Dome head screw	2
	No.17	cushion	1	A	M10*105 half round head screw	2
	No.18	Foam roller	2	K	Ø10Gasket	2
	No.19	Foam bucket inner cover	2	L	Ø8Gasket	2
	No.20	Foam bucket cover	2	M	M10Locknut	2
	No.8	Limit axis	1	F	M8*70 Dome head screw	2
	J	16*130 Hexagon screw	1	Z	6*5 jbscrew	2
	X	Ø16 Gasket	1	Y	M16Locknut	1



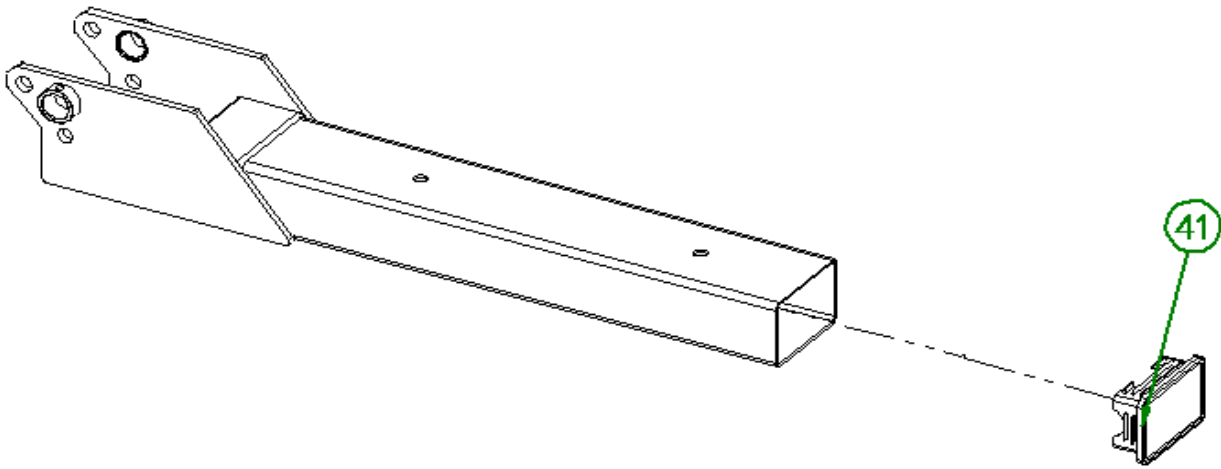
Assembly steps

No.	Item No.	Name	Quantity	Item No.	Name	Quantity
6	No.13	label board	2	H	5*8 Phillips disc head screw	12
	No.14	guard plate	1	G	M8*20Dome head screw	4
	No.15	Guard Mounting Bracket	4	No. 22	tension spring	1



Reverse seat sub assembly*1 pc

No.	Item No.	Name	Quantity	Item No.	Name	Quantity
	No.41	50*75 square tube plug	1			



Counterweight assembly*1 pc

No.	Item No.	Name	Quantity	Item No.	Name	Quantity
	No.50	90 Bushing	2			

