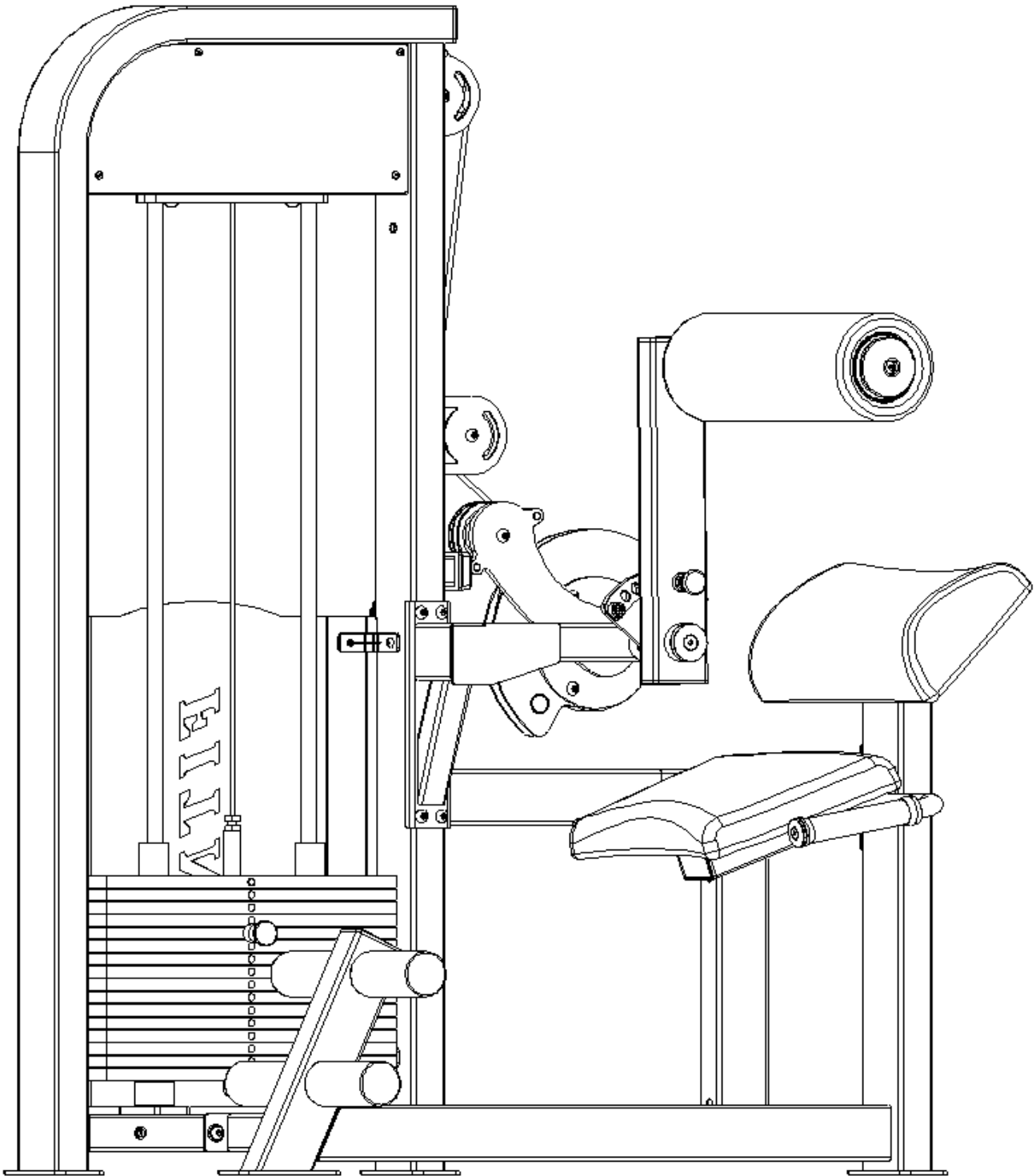
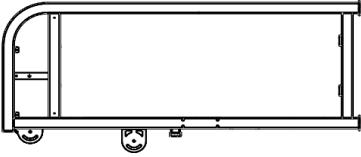
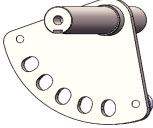
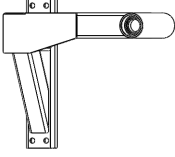
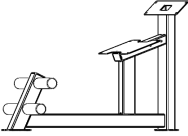
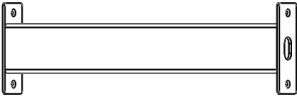
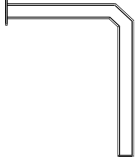
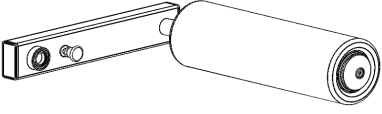
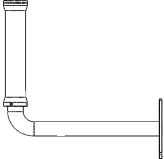
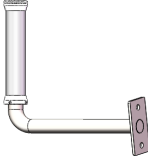
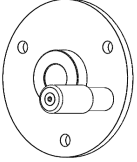

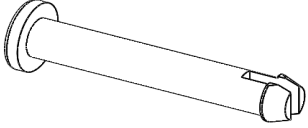


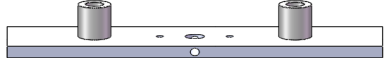
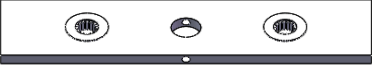
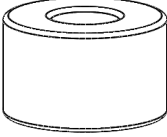
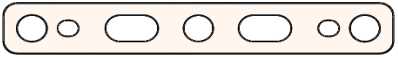






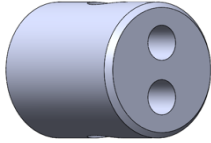

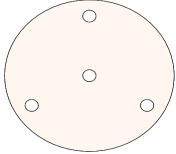

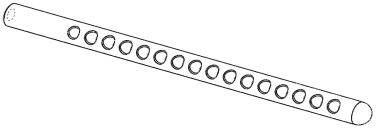
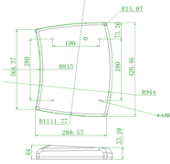
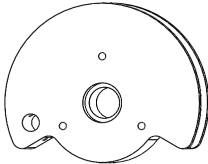
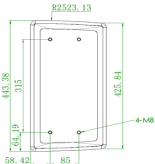
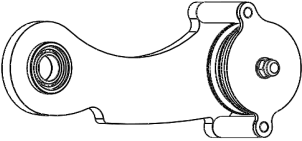

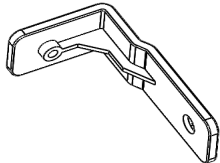
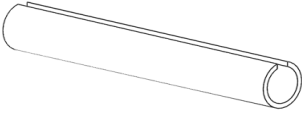
GC-5054 Back & Abdominal Combo

Installation Standard Instructions


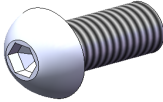

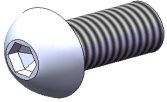
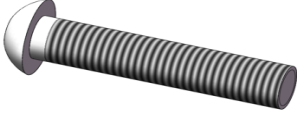
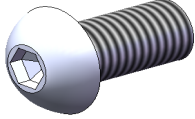
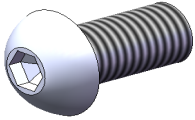
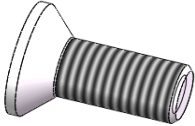
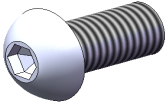
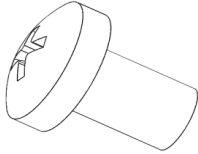
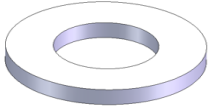
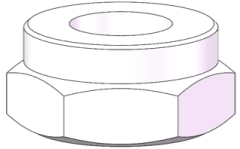
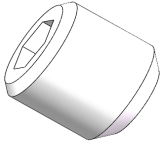


Parts list (individually packaged)

					
No.1	small door*1pc	No.2	big reel*1pc	No.3	bracket*1pc
					
No.4	big frame*1pc	No.5	lower connection components*1pc	No.6	upper connection components*1pc
					
No.7	Movable arm*1pc	No.8	Handle left welding assembly*1pc	No.9	Handle right welding assembly*1pc
					
No.10	Steering pulley assembly*1pc	No.11	Φ105 Pully*3pcs	No.12	Rope pin*2pcs
					
No.13	Cover*1pc	No.14	label board*2pcs	No.15	Counterweight assembly*1pc
					
No.16	Weight stack*15pcs	No.17	Cylindrical rubber parts*2pcs	No.18	Optical axis fixing block*1pc

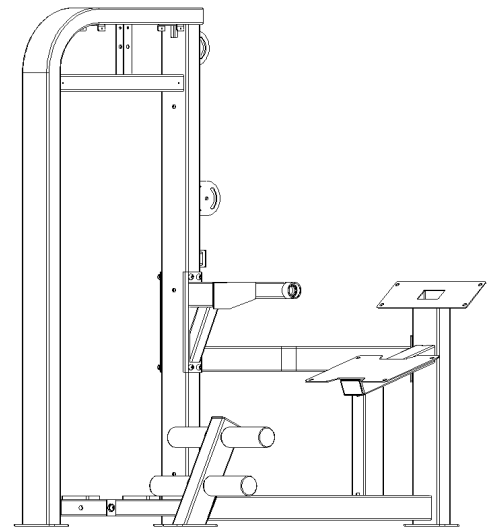
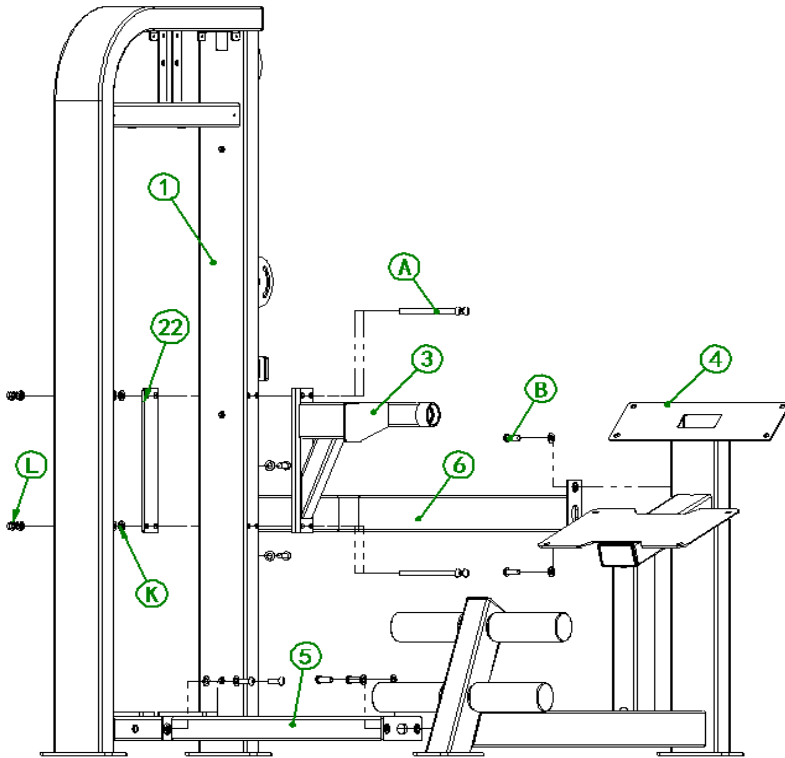
					
No.19	Φ20*1217mm guide rod*2pcs	No.20	8*25 Flat key*1pc	No.21	Aluminum alloy end cap*1pc
					
No.22	lock plate*1pc	No.23	Fixed cable cylinder*1pc	No.24	Counterweight Spacer*1pc
					
No.25	rope reel cover*1pc	No.26	Weight stack pin*1pc	No.27	15 hole center rod*1pc
					
No.28	cushion*1pc	No.29	rope reel*1pc	No.30	back cushion*1pc
					
No.31	Pulley guide welding assembly*1pc	No.32	Cable*1pc	No.33	small mounting plate*4pcs
					
No.34	cotter pin*1pc				

Blister Pack List

					
A	Hexagon socket head screws M10*120*14pcs	B	Hexagon socket head screws M10*25*8pc	C	Hexagon socket head screws M10*100*2pcs
					
D	M8*20 Flat head screws*4pcs	E	Hexagon socket head screws M10*45*6pcs	F	Hexagon socket head screws M10*30*2pcs
					
G	Hexagon socket head screws M10*16*3pcs	H	M10*25 Countersunk Head Screws*1pcs	I	M8*25 Flat head screws*4pcs
					
J	M8*20 Flat head screws M5*8* 12pcs	K	Φ10 Gasket*20pcs	L	M10 Locknut*9pcs
					
N	M8*8 top wire*2pcs				

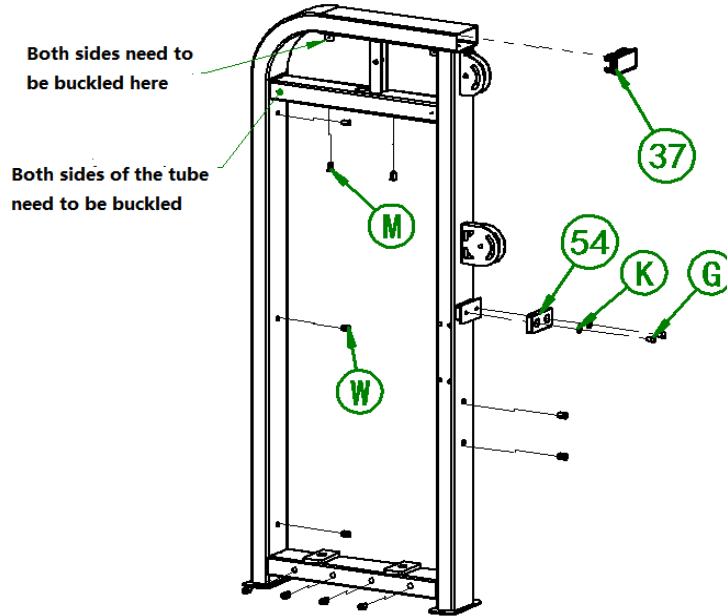
Assembly steps

Step	Item No.	Name	Quantity	Item No.	Name	Quantity
1	No.1	small door	1	A	M10*120Hexagon socket head screws	4
	No.4	big frame	1	D	M10*70Hexagon socket head screws	2
	No.5	lower connection components	1	K	Ø10 Gasket	8
	No.6	upper connection components	1	L	M10 Locknut	6
	No.22	lock plate	1	No.3	bracket	1



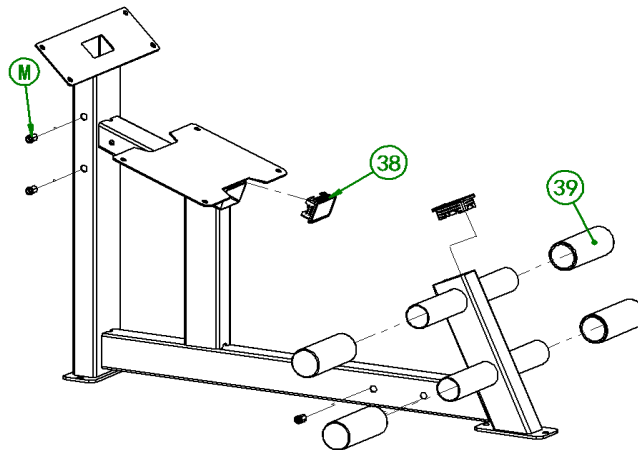
No.1 Small door*1pc

Step	Item No.	Name	Quantity	Item No.	Name	Quantity
	No.37	50*100 Square tube plug	1	K	Φ10 Gasket	2
	M	M10 rivet nut	8	No.54	Cushion	1
	G	M10*16 Hexagon socket head screws	2	W	M8 rivet nut	6



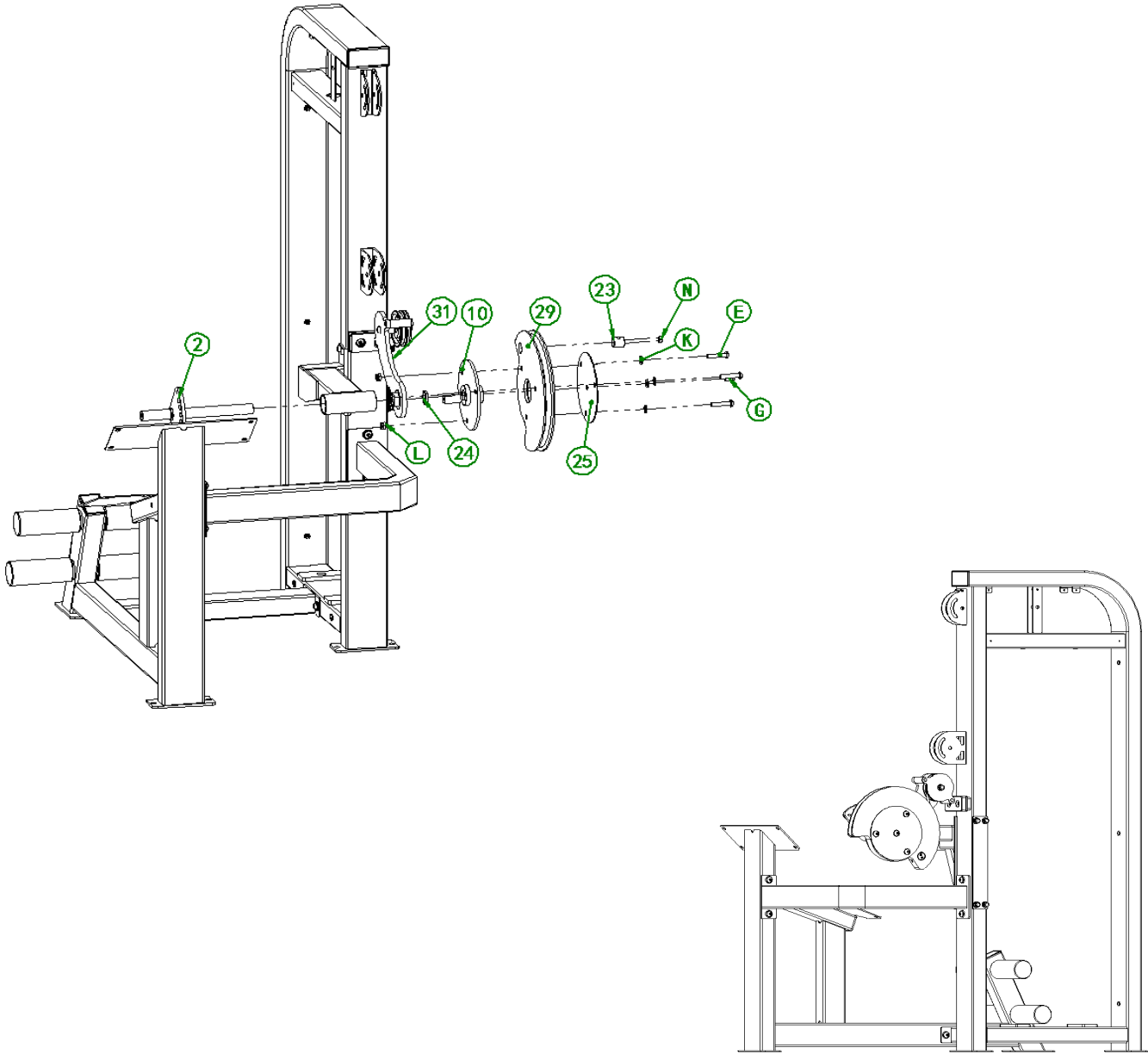
NO.4 big frame*1pc

Step	Item No.	Name	Quantity	Item No.	Name	Quantity
	No.38	50*75 Square tube plug	2	M	M0 rivet nut	4
	No.39	Pedal	4			



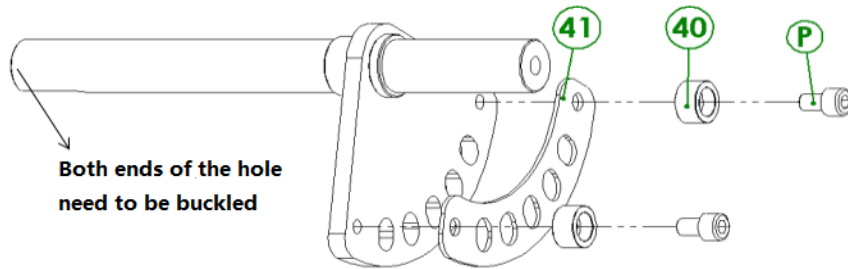
Assembly steps

Step	Item No.	Name	Quantity	Item No.	Name	Quantity
2	No.2	big reel	1	No.29	rope reel	1
	No.10	Steering pulley assembly	1	No.20	8*25 Flat key	1
	No.24	spacer	1	No.25	rope reel	1
	L	M10 Locknut	3	K	Φ10 Gasket	4
	No.31	Pulley guide welding assembly	1	No.23	Fixed cable cylinder	1
	N	8*8 top wire	2	E	M10*45 Hexagon socket head screws	3
	G	M10*16 Flat head screws	1			



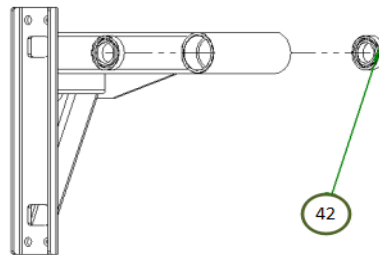
No.2 big reel*1pc

Step	Item No.	Name	Quantity	Item No.	Name	Quantity
	No.41	stainless steel plate	1	P	M8*12 Cylinder head screws	2
	No.40	limit post	2			



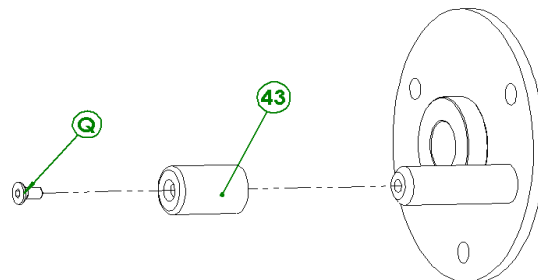
No.3 bracket*1pc

Step	Item No.	Name	Quantity	Item No.	Name	Quantity
	No.42	61905 bearing	2			



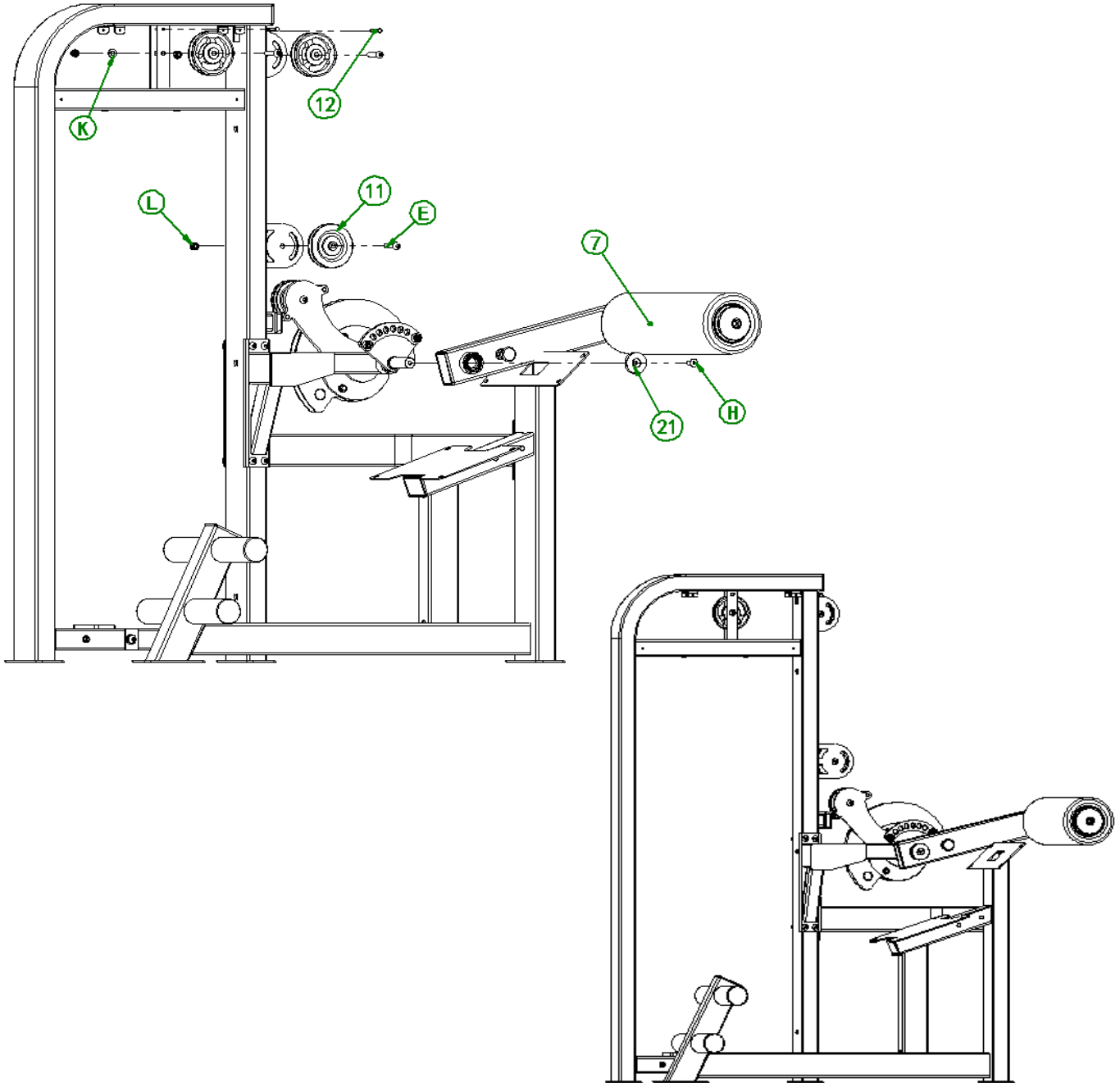
No.10 Steering pulley assembly*1pc

Step	Item No.	Name	Quantity	Item No.	Name	Quantity
	Q	M5*10 Countersunk Head Screws	1			
	No.43	Smith Sheath	1			



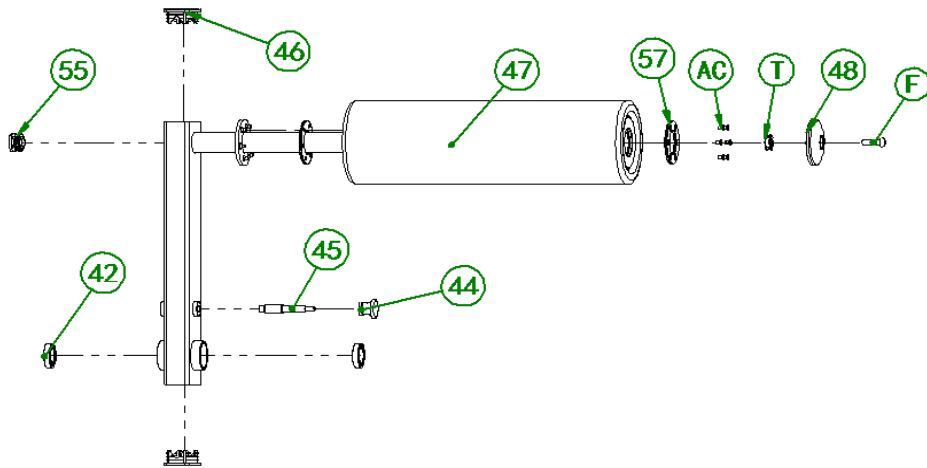
Assembly steps

Step	Item No.	Name	Quantity	Item No.	Name	Quantity
4	No.11	Φ105 Pulley	3	L	M10 Locknut	4
	No.12	Rope pin	2	E	M10*45 Hexagon socket head screws	3
	No.7	Movable arm	1	H	M10*25 Countersunk Head Screws	1
	No.21	Aluminum alloy end cap	1			
	K	Φ10 Gasket	3			



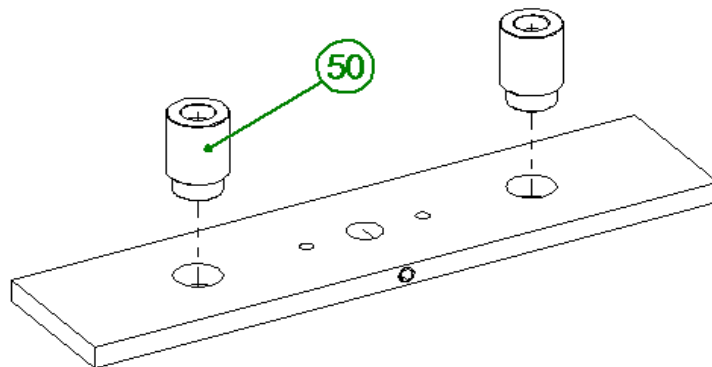
No.7 Movable arm 1pc

Step	Item No.	Name	Quantity	Item No.	Name	Quantity
	No.42	61905 bearing	2	No.44	Aluminum alloy spring pin	1
	No.46	40*80 Silencer	2	T	M10 star nut	1
	No.47	foam roller	1	F	M10*30 Flat head screws	1
	No.48	Foam end cap	1	No.45	plug	1
	No.49	spring	1	No.55	Round pipe plug	1
	No.57	#96 Plastic parts	2	AC	5*13 countersunk head screws	12



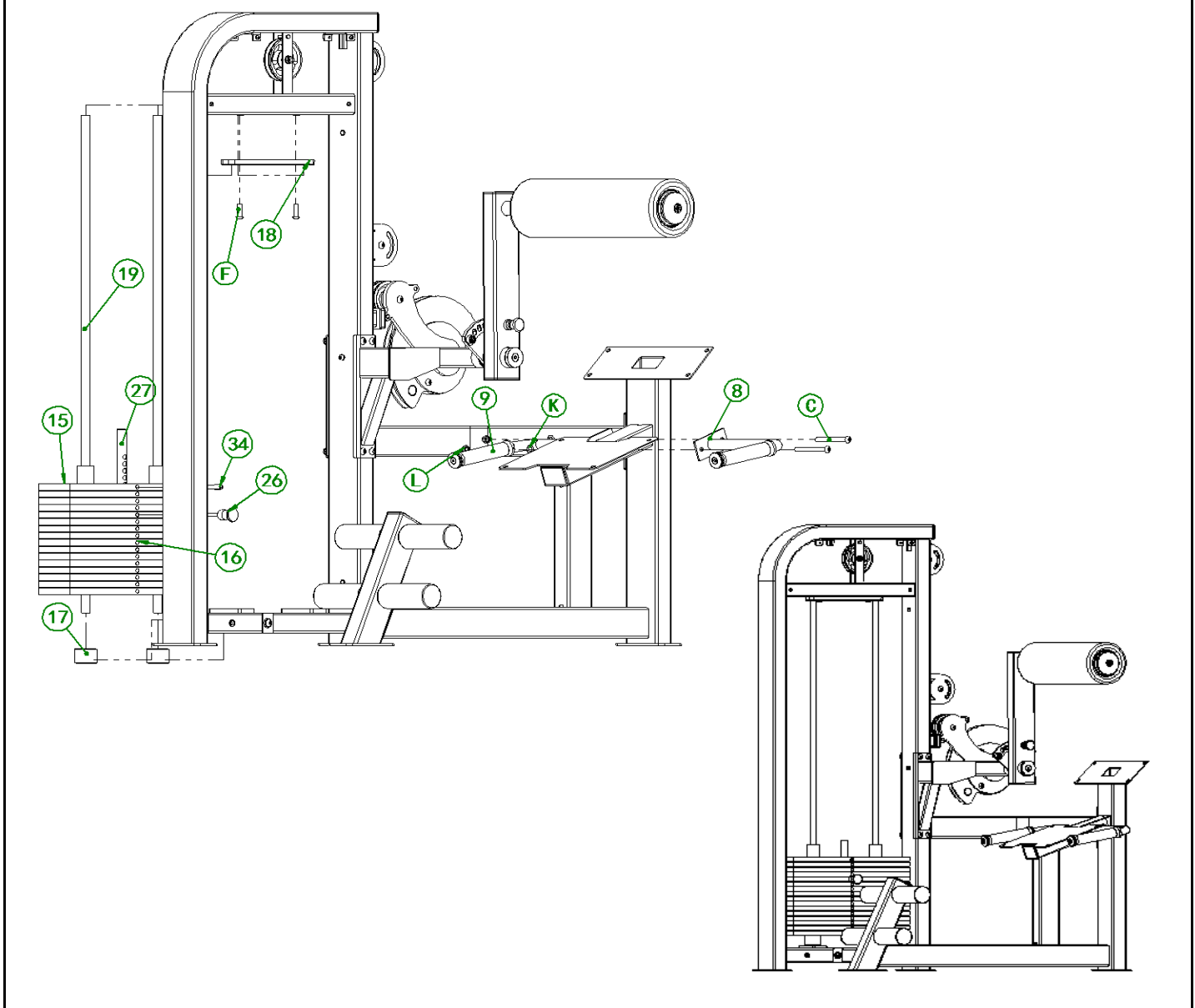
No.15 Counterweight assembly*1pc

Step	Item No.	Name	Quantity	Item No.	Name	Quantity
	No.50	Counterweight guide bush	2			



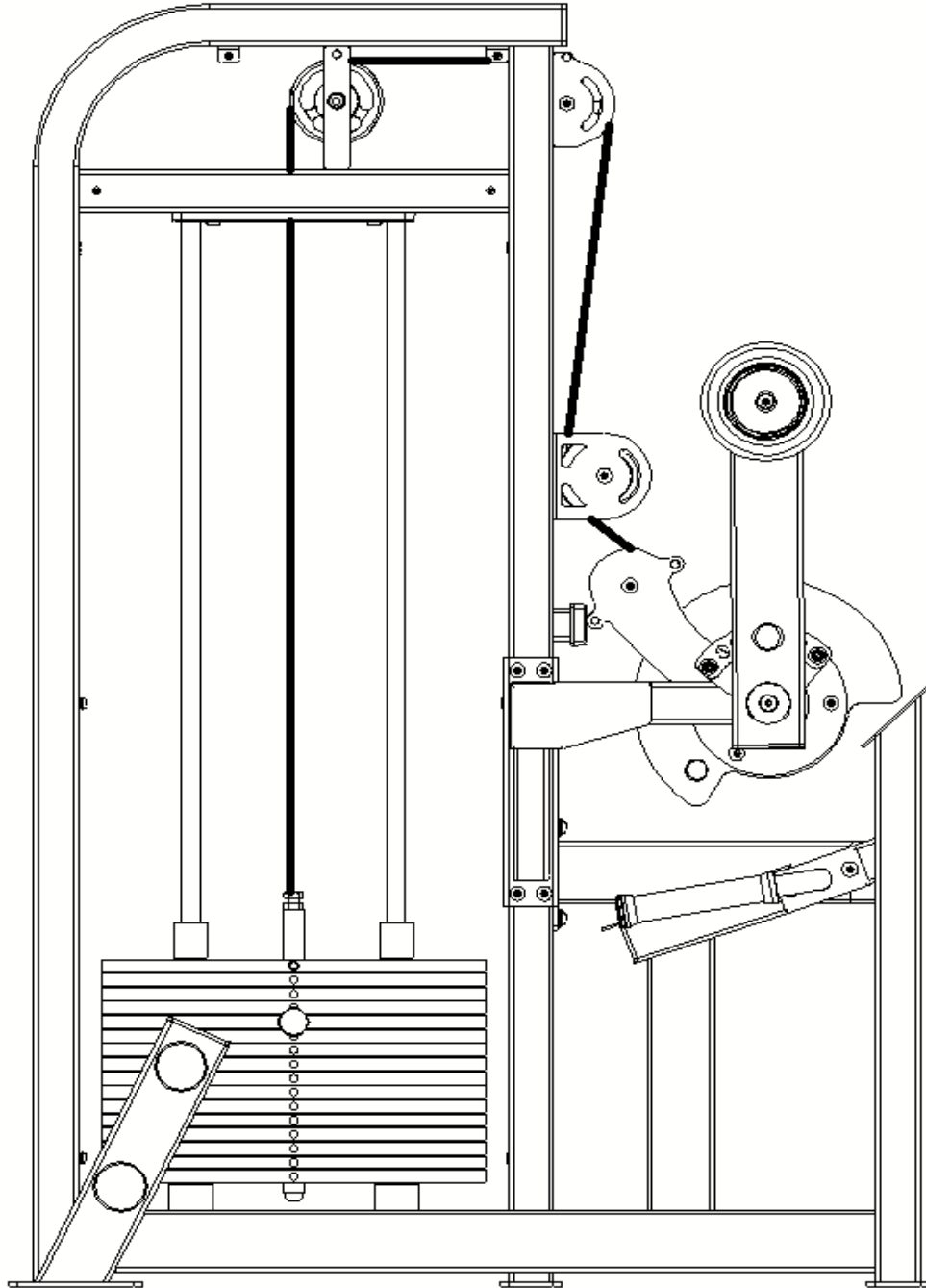
Assembly steps

Step	Item No.	Name	Quantity	Item No.	Name	Quantity
4	NO.19	guide rod	2	L	M10 Locknut	4
	No.15	Counterweight assembly	1	F	M10*30 Hexagon socket head screws	2
	No.17	Cylindrical rubber parts	2	C	M10*100 Hexagon socket head screws	2
	No.27	hole center rod	1	NO.16	Weight stack	15
	K	Φ10Gasket	2	NO.18	Optical axis fixing block	1
	No.8	Handle left welding assembly	1	NO.26	Weight stack pin	1
	No.9	Handle right welding assembly	1	No.34	10*70 cotter pin	1



Assembly steps

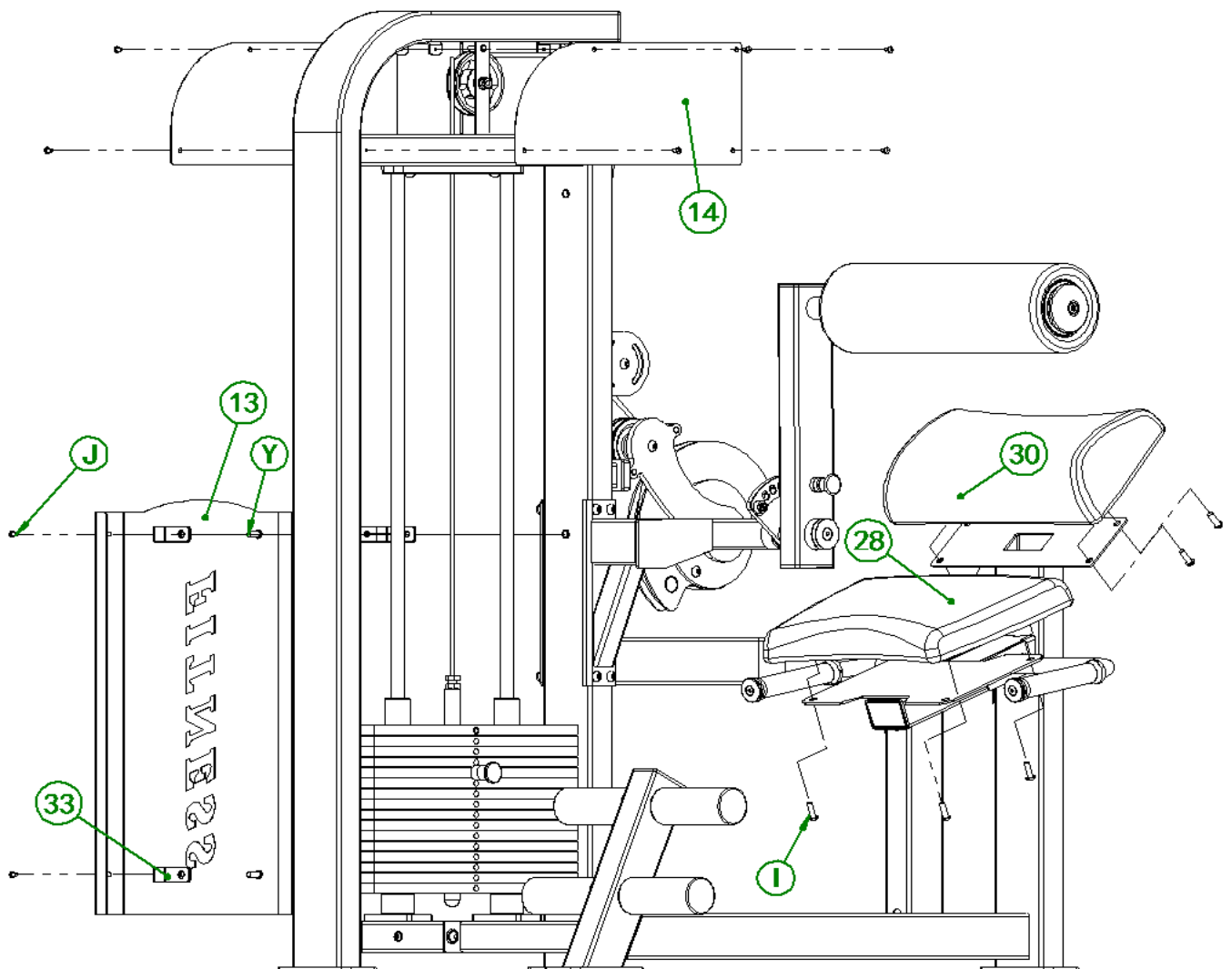
Step	Item No.	Name	Quantity	Item No.	Name	Quantity
5	No.32	Cable	1			



Wire rope routing diagram

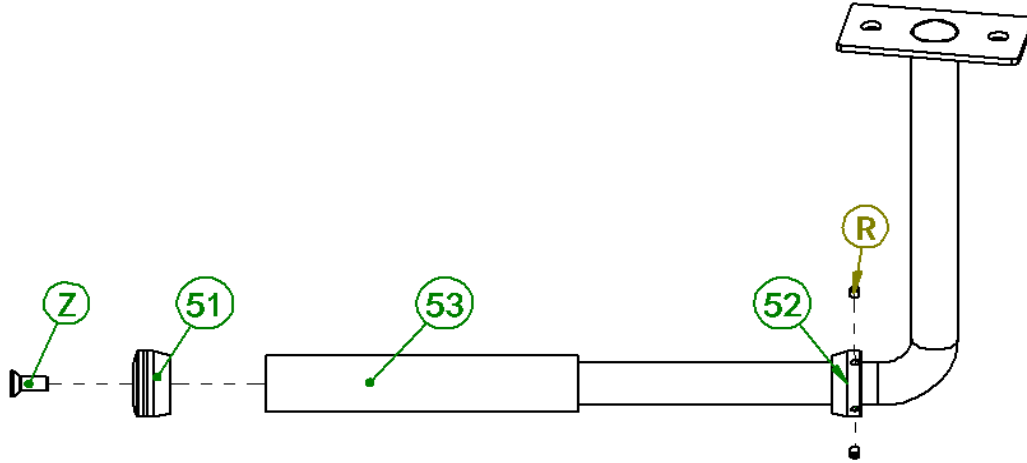
Assembly steps

Step	Item No.	Name	Quantity	Item No.	Name	Quantity
6	No.8	Handle left welding assembly	1	I	M8*25 Flat head screws	8
	NO.28	Cushion	1	J	M5*8 Flat head screws	12
	No.30	Back cushion	1	No.33	small mounting plate	4
	No.13	Cover	1	No.14	label board	2
	Y	M8*20 Flat head screws	4			



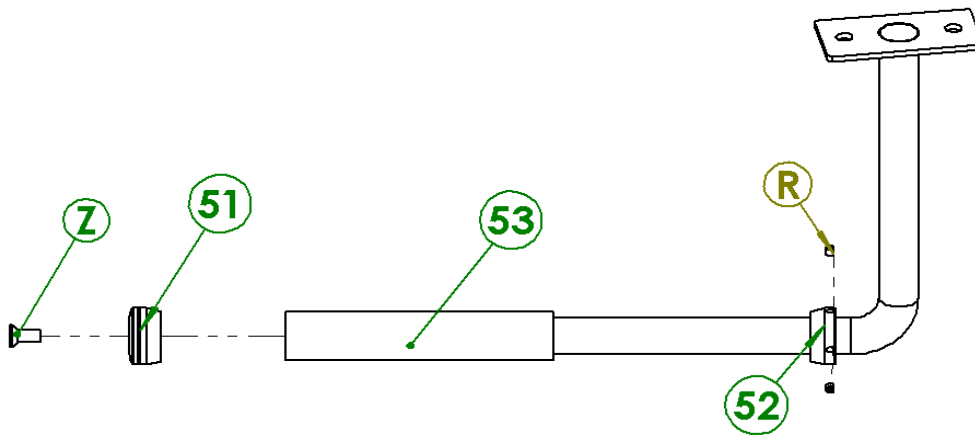
No.8 Handle left welding assembly*1pc

Step	Item No.	Name	Quantity	Item No.	Name	Quantity
	No.51	handle front cover	1	R	M5*6 top wire	2
	No.52	handle back cover	1			
	No.53	Ø25 not torn170mm	1			
	Z	M8*20 Countersunk Head Screws	1			



No.9 Handle right welding assembly*1pc

Step	Item No.	Name	Quantity	Item No.	Name	Quantity
	No.51	handle front cover	1	R	M5*6 top wire	2
	No.52	handle back cover	1			
	No.53	Ø25 not torn170mm	1			
	Z	M8*20 Countersunk Head Screws	1			



No.31 Pulley guide welding assembly*1pc

Step	Item No.	Name	Quantity	Item No.	Name	Quantity
	No.56	Φ90 Pulley	1	S	M10*75 Flat head	1
	No.42	61905 Bearing	1	L	M10 Locknut	1
				K	Φ10 Gasket	1

