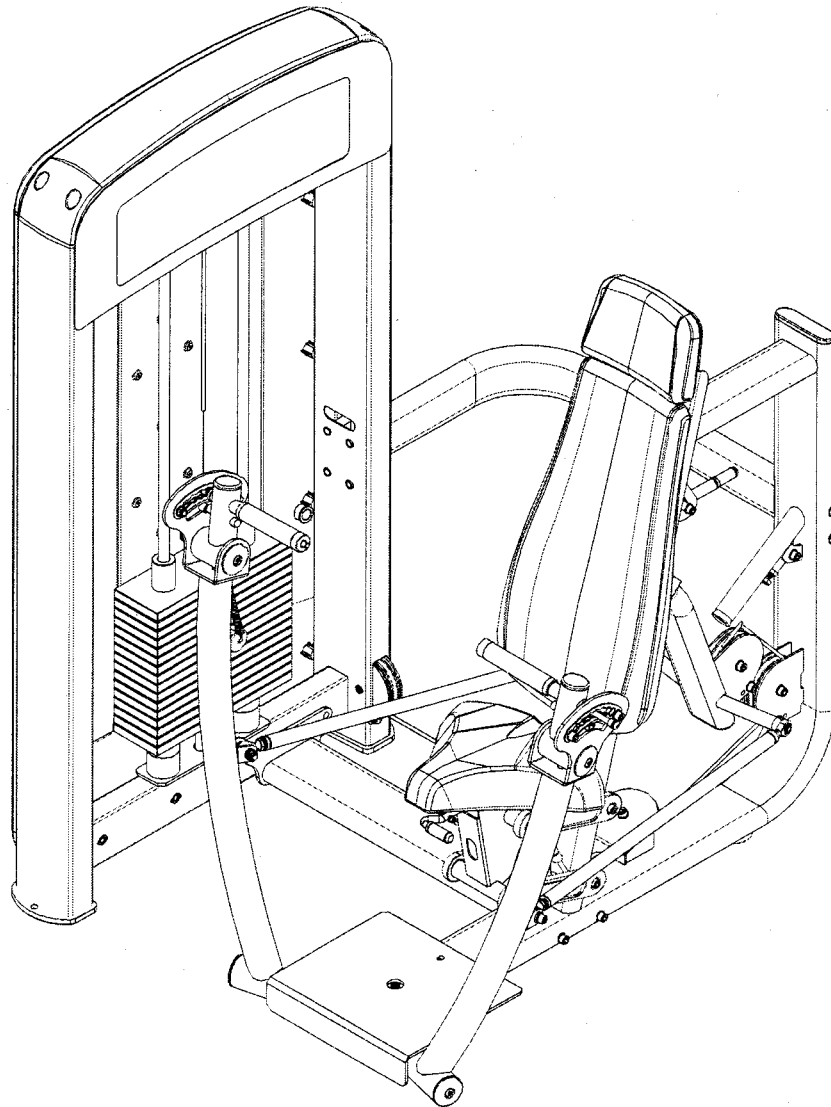


Converging Chest Press



MDE-01 Converging Chest Press

User Manual

Contents

- 01/Safety
- 02/ Installation chart & list
- 03/ Product description
- 04/ Product specification
- 05/ Maintenance
- 06/ Troubleshooting guides
- 07/ Warranty

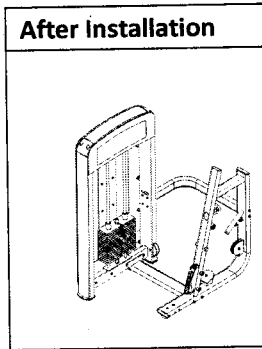
01/ Safety

Welcome to choose our **product**. It is a guarantee to your safety and convenience if you use our product properly. Please read the **followings** carefully before using our product:

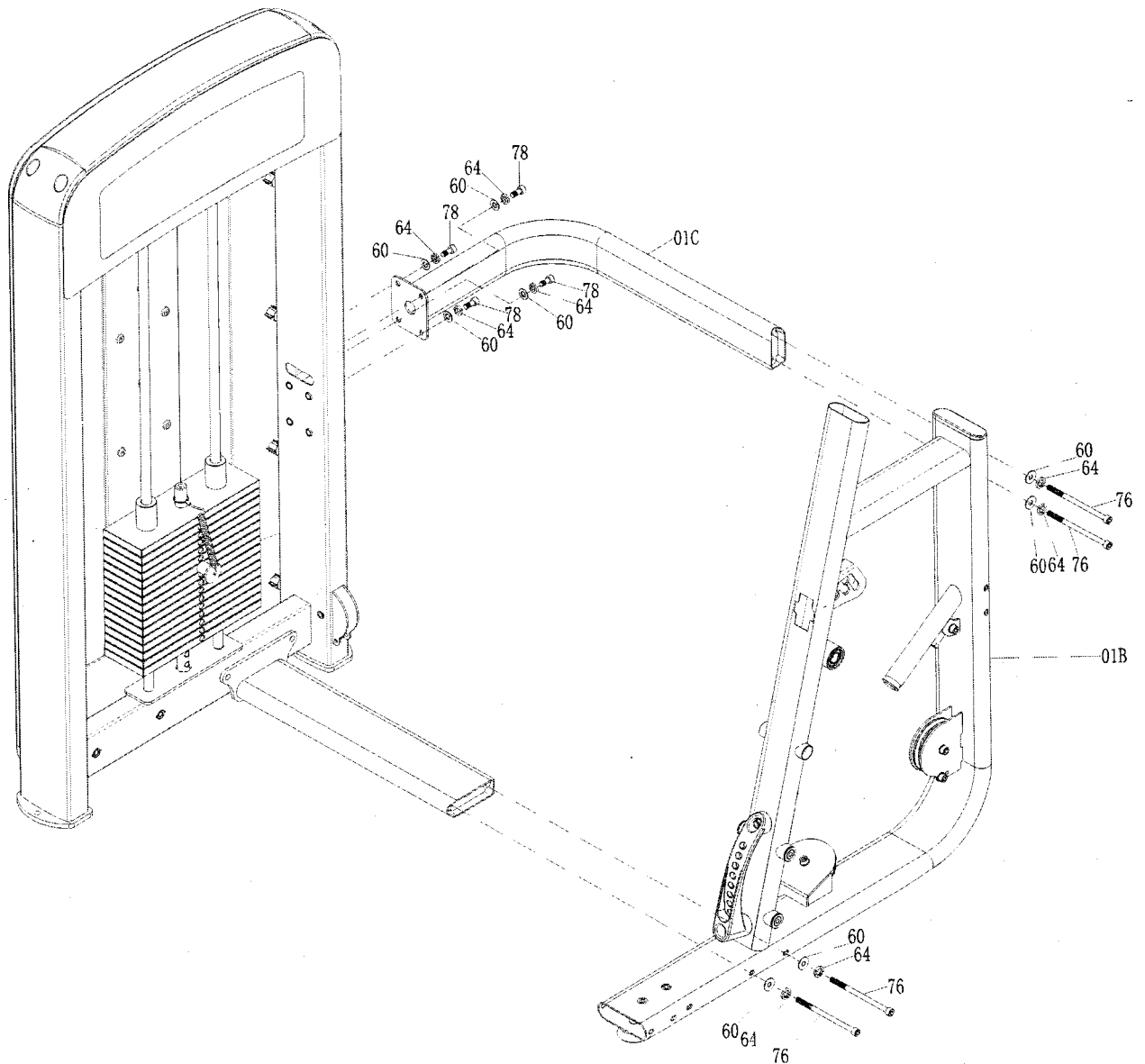
1. Please read all the **instructions** carefully before using our product. Follow the rules strictly, and keep this manual within the **lifetime** of this product.
2. Product owner **should** ensure all the users of this product to know all the matters and attention.
3. Keep air flow **and** fresh during your workout, and be sure you have enough space.
4. Users are **obliged** for the good maintenance of the equipment. Before using, or install the equipment, check **all the parts** are fixed. Check all the parts regularly.
5. If the **equipment** broken, please contact the distributors or after-sales department. Do not use it before it repaired.
6. **Before** using the equipment, please wear properly and bundle up the hair for ladies
7. **Please** do warm up exercise before using the equipment.
8. If you feel dizzy, pain or some other abnormal symptom, please stop your exercise, and go to see doctors.
9. Children should use the equipment under adult' s guardianship.
10. Warning! Keep hands and feet away from moving parts.
11. Warning! Do not do over adjustments.
12. Warning! Children or pets away from the equipment during your workout.
13. Warning! Any adjustable parts should be properly adjusted.
14. Warning! Please use this equipment correctly to avoid any injury.
15. We suggest you should use this equipment in supervision area.

02/ Installation chart & list

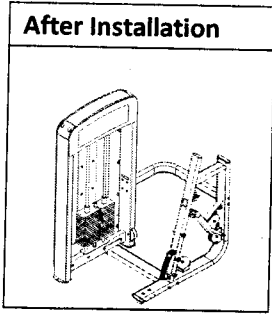
1) Step 1



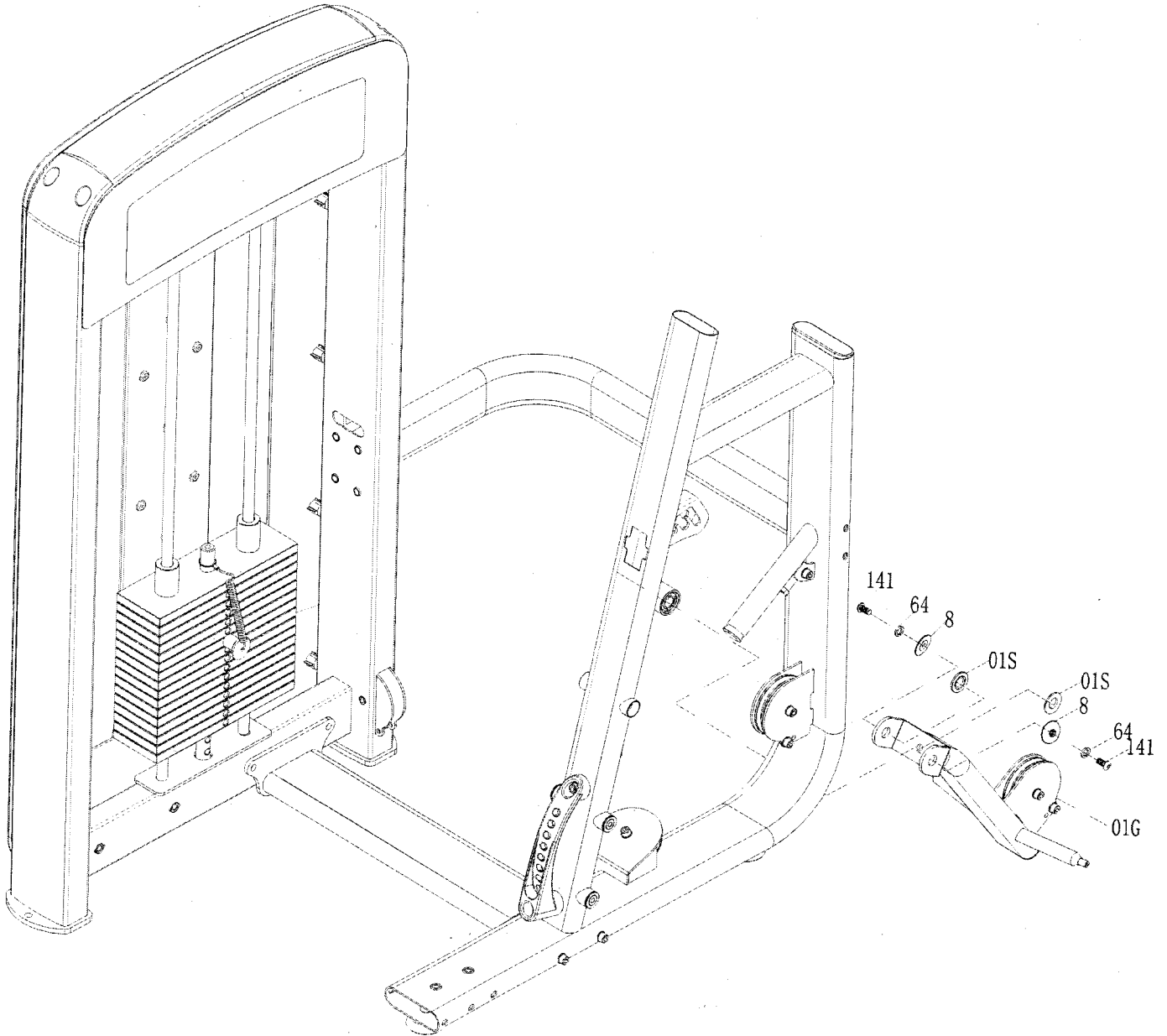
List for this step			
Model	Name	Spec	Qty
01B	Body frame		1
01C	Top connecting tube set		1
60	Flat gasket	φ10	8
64	Spring gasket	φ10	8
76	Hex cylinder head bolt	M10*160	4
78	Hex cylinder head bolt	M10*25	4



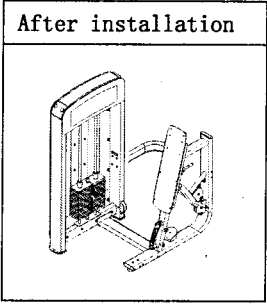
2) Step 2



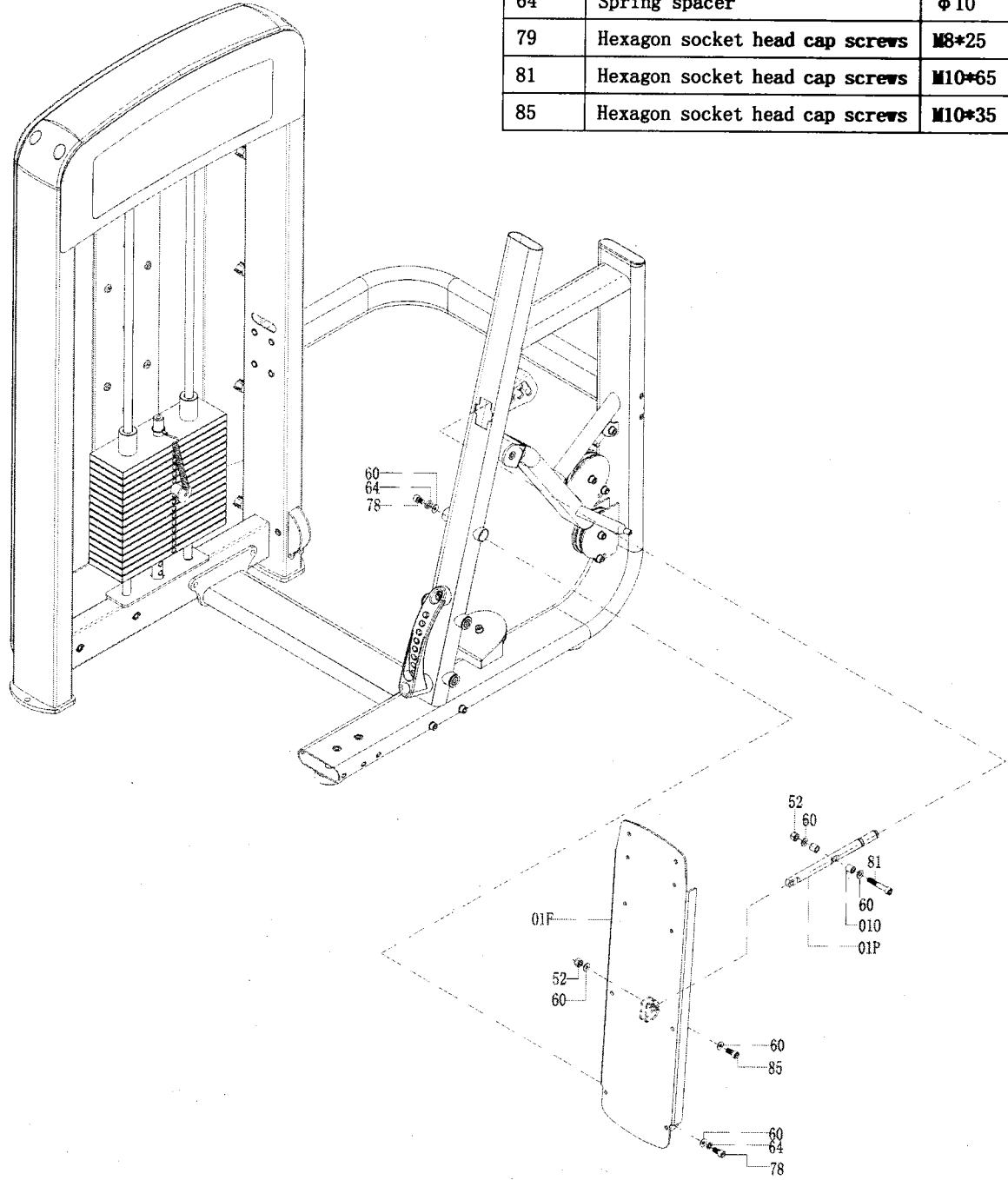
List for this step			
Model	Name	Spec	Qty
01G	Pull rod frame		1
01S	Interval cover	$\phi 20.5 * \phi 26 * 40 * T4$	2
8	Aluminum cover	$\phi 50 * \phi 10.51 * 9.5$	2
64	Spring gasket	$\phi 10$	2
141	Hex cup head bolt	M10*25 total teeth	2



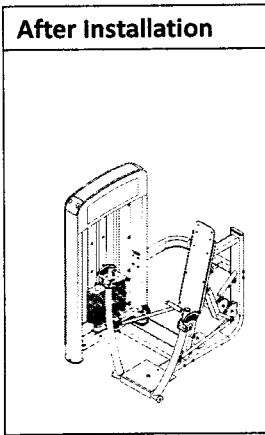
3) Step 3



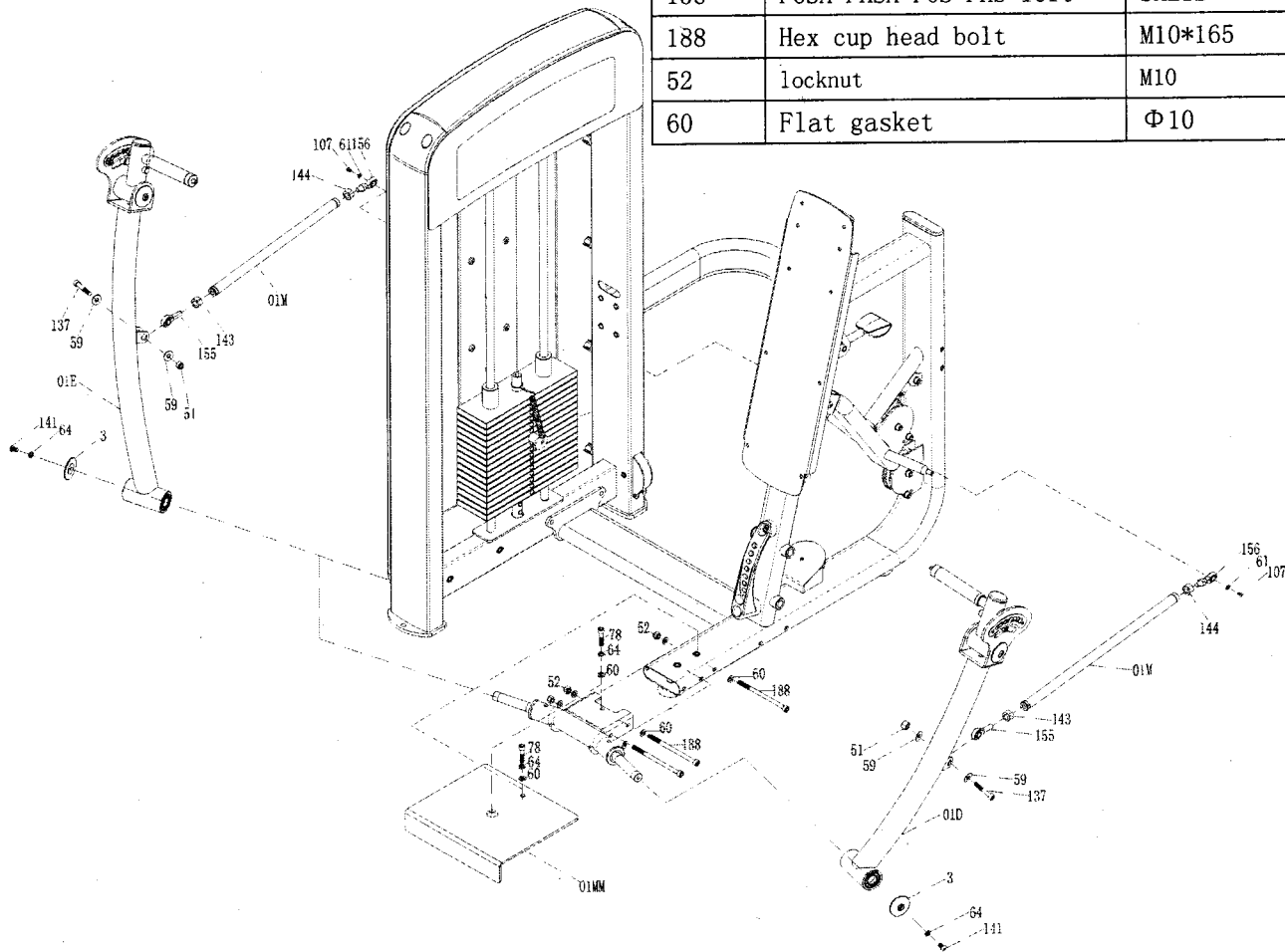
List for this step			
sq	name	spec	qty
010	casing	$\phi 10.3 * \phi 16 * 17$	2
01P	Handle pole	$\phi 20 * 260$	1
01F	Cushion plate set		1
52	locknut	M10	2
60	Flat spacer	$\phi 10$	6
64	Spring spacer	$\phi 10$	2
79	Hexagon socket head cap screws	M8*25	2
81	Hexagon socket head cap screws	M10*65	1
85	Hexagon socket head cap screws	M10*35	1



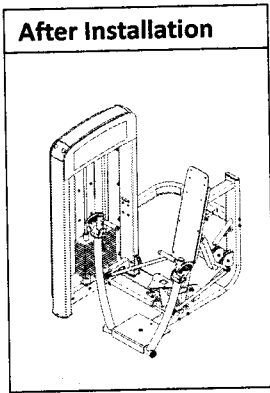
4) Step 4



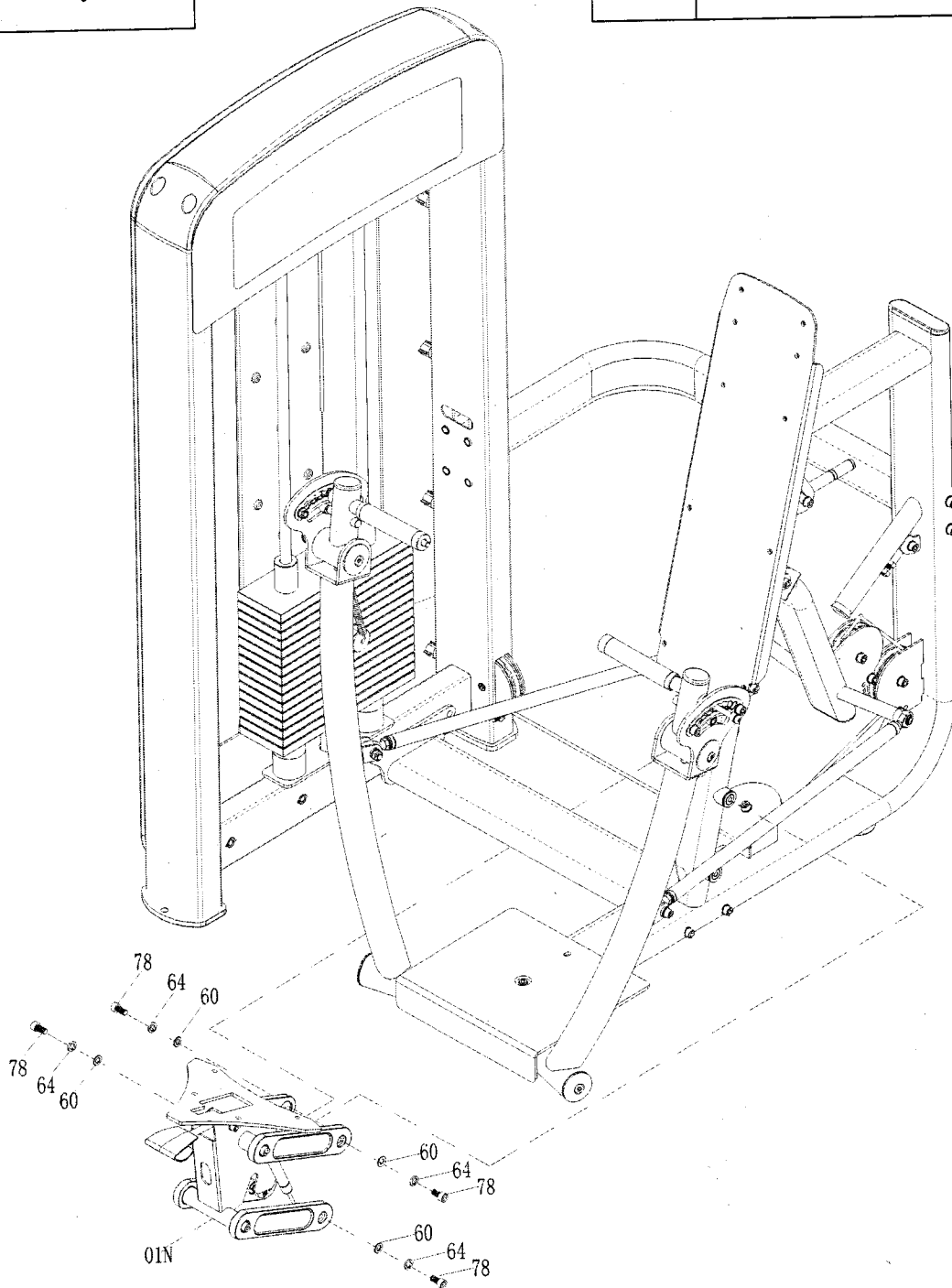
List for this step			
Model	Name	Spec	Qty
01D	Handrail tube set left		1
01E	Handrail tube set right		1
01M	Pull rod set		1
01MM	Pedals		1
3	Aluminum cover	φ 60* φ 10.5*8.84	2
51	Locknut	M12	2
59	Flat gasket	φ 12	4
61	Flat gasket	φ 8	2
64	Spring gasket	φ 10	4
78	Hex cylinder head bolt	M10*25	2
107	Cross recessed pan head bolt	M6*15 total teeth	2
137	Hex cylinder head bolt	M12*65	2
141	Hex cup head bolt	M10*25	3
143	Normal teeth nut	M12	2
144	Abnormal teeth nut	M12	2
155	POSA PHSA POS PHS right	SAR12	2
156	POSA PHSA POS PHS left	SAL12	2
188	Hex cup head bolt	M10*165	3
52	locknut	M10	3
60	Flat gasket	Φ 10	8



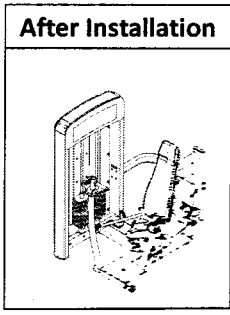
5) Step 5



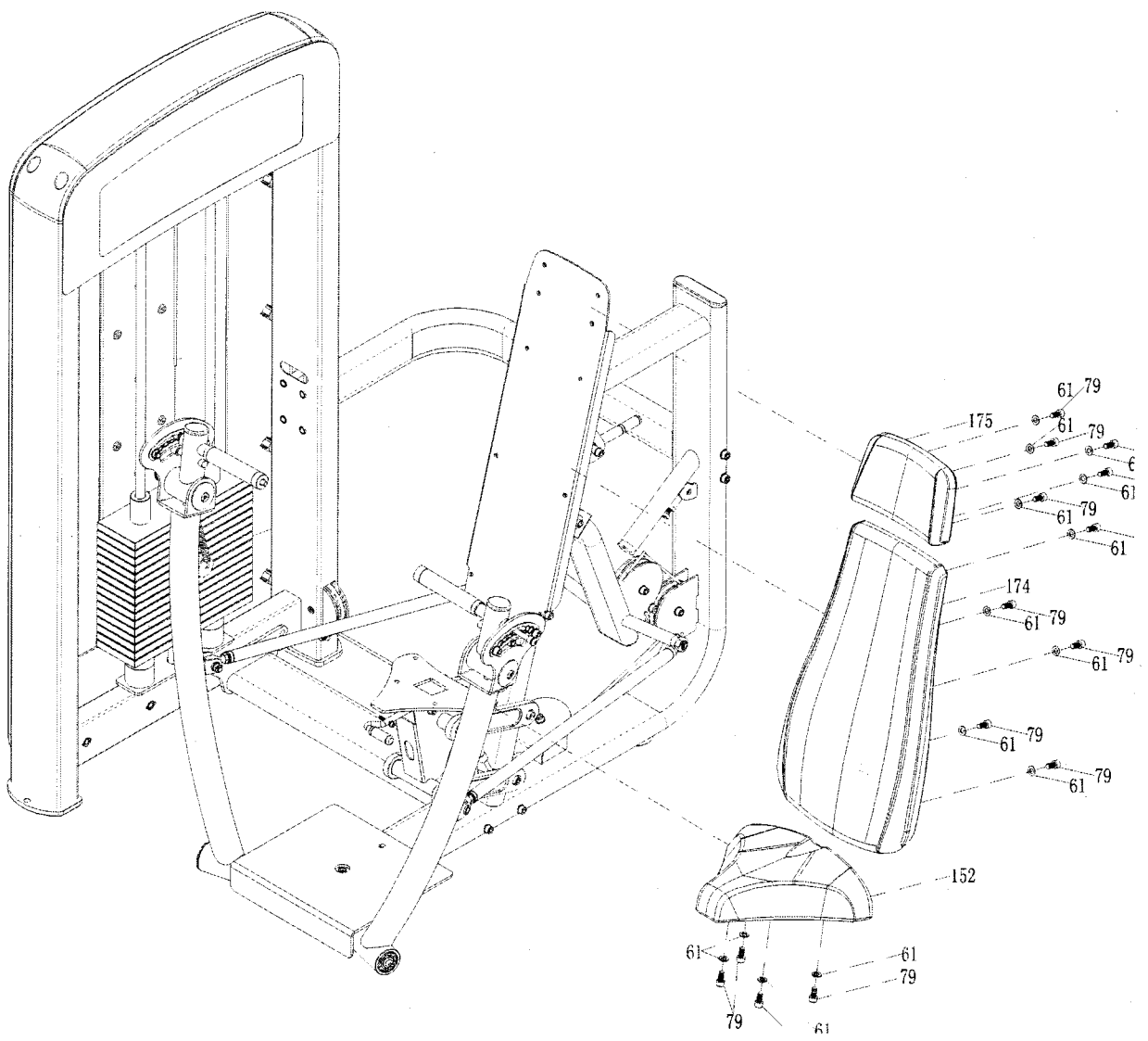
List for this step			
Model	Name	Spec	Qty
01N	Cushion fixed plate weld		1
60	Flat gasket	φ 10	8
64	Spring gasket	φ 10	4
78	Hex cylinder head bolt	M10*25	44



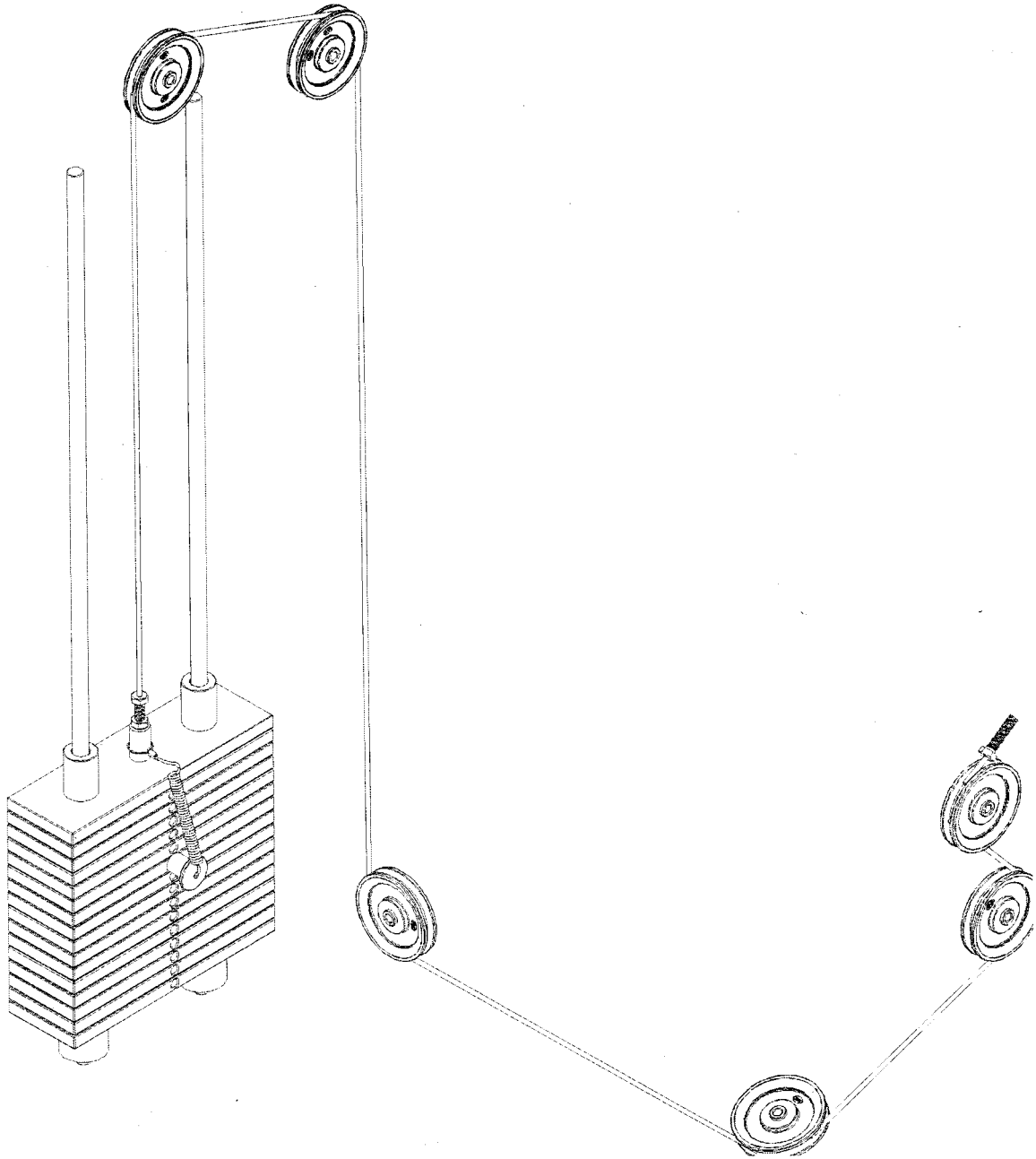
6) Step 6



List for this step			
Model	Name	Spec	Qty
61	Flat gasket	φ 8	14
79	Hex cylinder head bolt	M8*25	14
152	Cushion	383.48*324.19*83.57	1
174	Back pad	674.9*368.6*63.9	1
175	Pillow pad	257.5*172.4*57.4	1



7) Step 7
Pulley installation diagram:



03/ Product description

This equipment is for **indoor use**, in order to improve your cardio and muscles. It trains your chest muscles and others.

You can choose the **stack weight** in order to get the weights or resistance you need.

You can read the **placards** in order to use the equipment properly.

The equipment is **designed** and produced according to human engineering, which can assure the safety and durability.

The equipment is **designed** and produced according to human engineering, strictly under GB17498.1-2008 GB17498.2-2008 standard.

The **equipment** is made of steel and of powder coating process, which assure the safety and durability.

04/ Product specification

Name	Converging Chest Press	Model	MDE-01
Assembly area	1430*1335*1625	Weight stack	200 poundS
NW	Kg	Grade	S
Category: type S ; professional/commercial use type H; home use			

05/Maintenance

1. Please check all the screws regularly.
2. Keep the equipment clean. Do not use strong solvent.
3. If weighted spare parts abrasion or broken, please change it at once.

06/Troubleshooting guides

07/Warranty

1. Warranty scope

It adopts to the situation that users use the equipment properly. Non-negotiable.

2. Warranty 1 year starts from the equipment leaving our factory

The followings are inapplicable for the warranty

- (1) Misuse the equipment, accidents or modify without notification
- (2) Breakdown of those who improperly adjust the weight stack pin.
- (3) Breakdown of those who improperly maintain.

Breakdown of other improper operations.