

Center Set Faucet W4220501-2, W4220529-2

Description

ISABELLE CENTER SET FAUCET

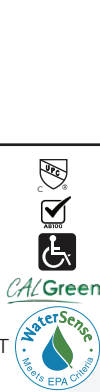
- Washerless cartridges
- 1/2" NPS connections
- 1.2 GPM
- 50-50 Pop-up drain included

W4220501-2



Standards

- Complies with IAPMO UPC/cUPC
- California AB100 Complaint
- ADA Accessibility Guidelines for Buildings and Facilities - 427.4 Controlled Mechanisms
- CALGreen compliant
- EPA WaterSense Certified by IAPMO R&T

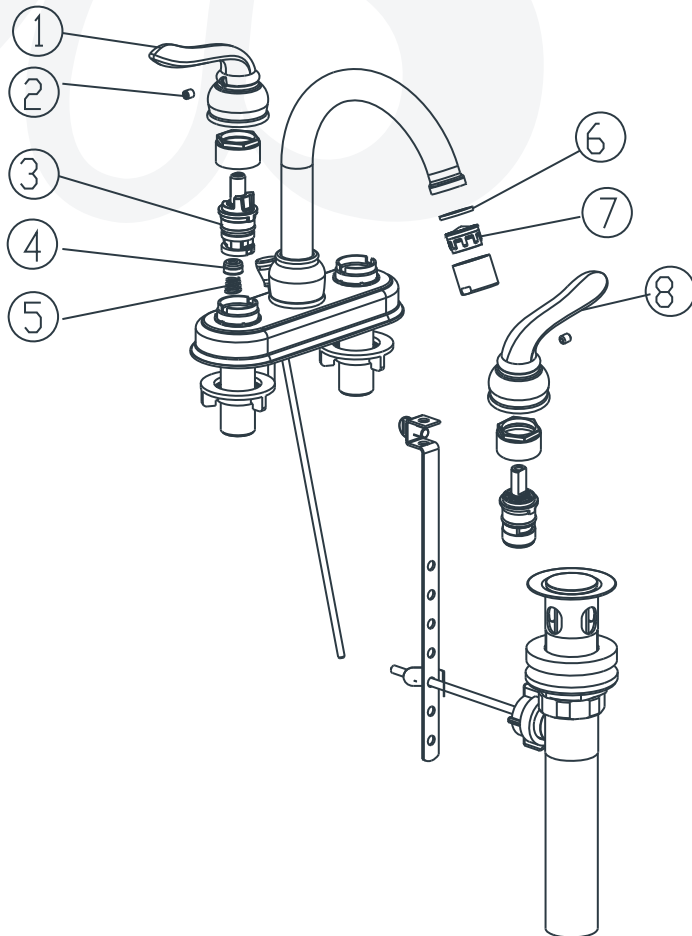


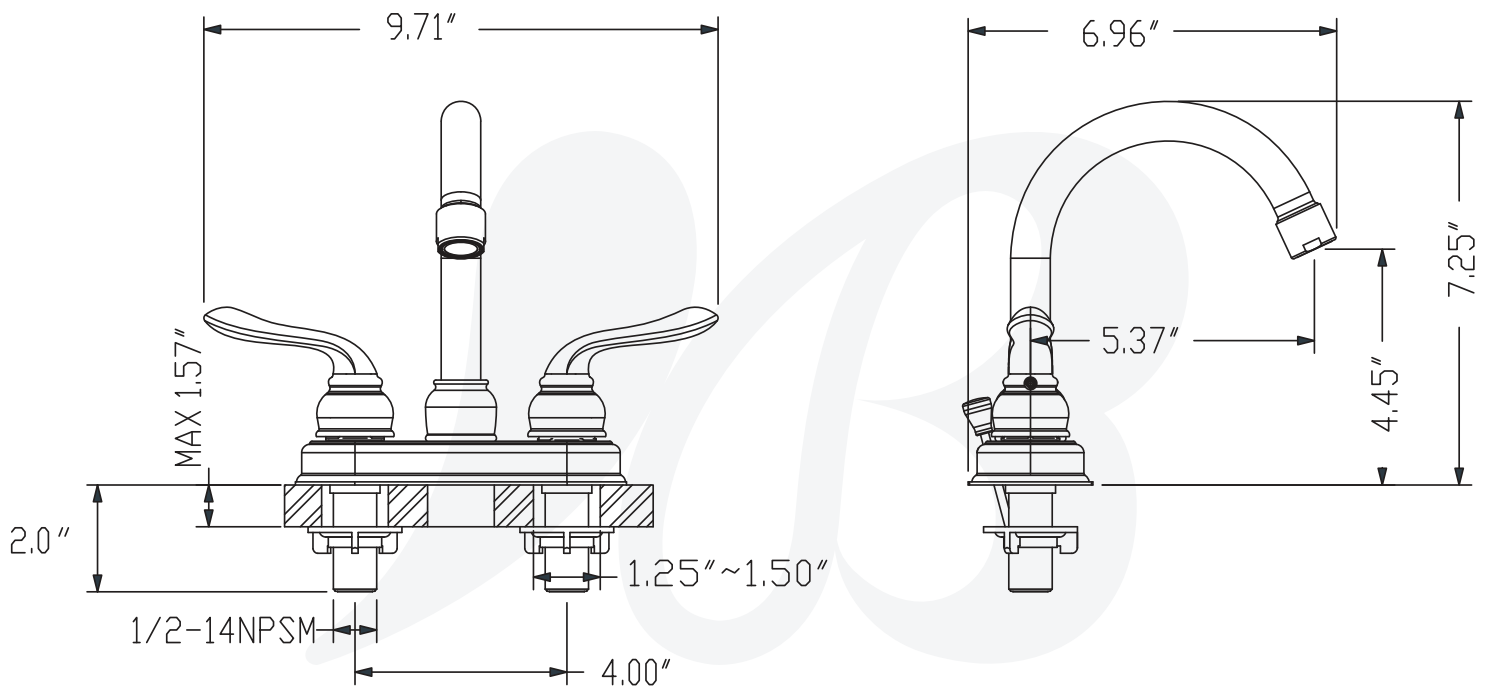
Colors / Finishes

- W4220501-2** Chrome
- W4220529-2** Satin Nickel

**BREAK DOWN
Component Parts List**

NO.	Description	Qty
1	HANDLE	1
2	SCREW	2
3	CARTRIDGE	2
4	WASHER	2
5	SPRING	2
6	WASHER	1
7	AERATOR	1
8	HANDLE	1





ItemNumber	Type	Date
W4220501-2, W4220529-2	Center Set	4/10/2023