

**Intellisense IS Single Control - W3182901-R, W3182902-R, W3182949-R**

**Description**

**INTELLISENSE SINGLE CONTROL**

- Sensor activated
- Ceramic disc cartridge
- 1.2 GPM
- Deck plate included

**Standards**

- Complies with IAPMO UPC/cUPC
- California AB100 Complaint
- ADA Accessibility Guidelines for Buildings and Facilities - 427.4 Controlled Mechanisms
- CALGreen compliant
- EPA WaterSense Certified by IAPMO R&T
- CE certified



**W3182901-R**

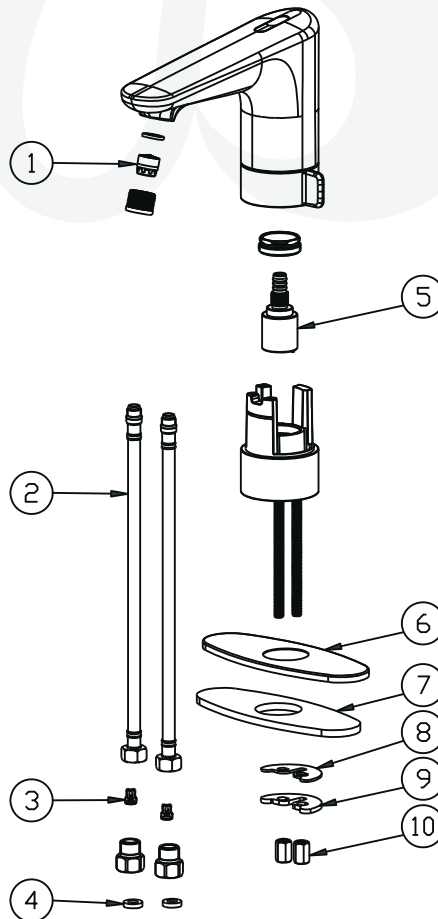


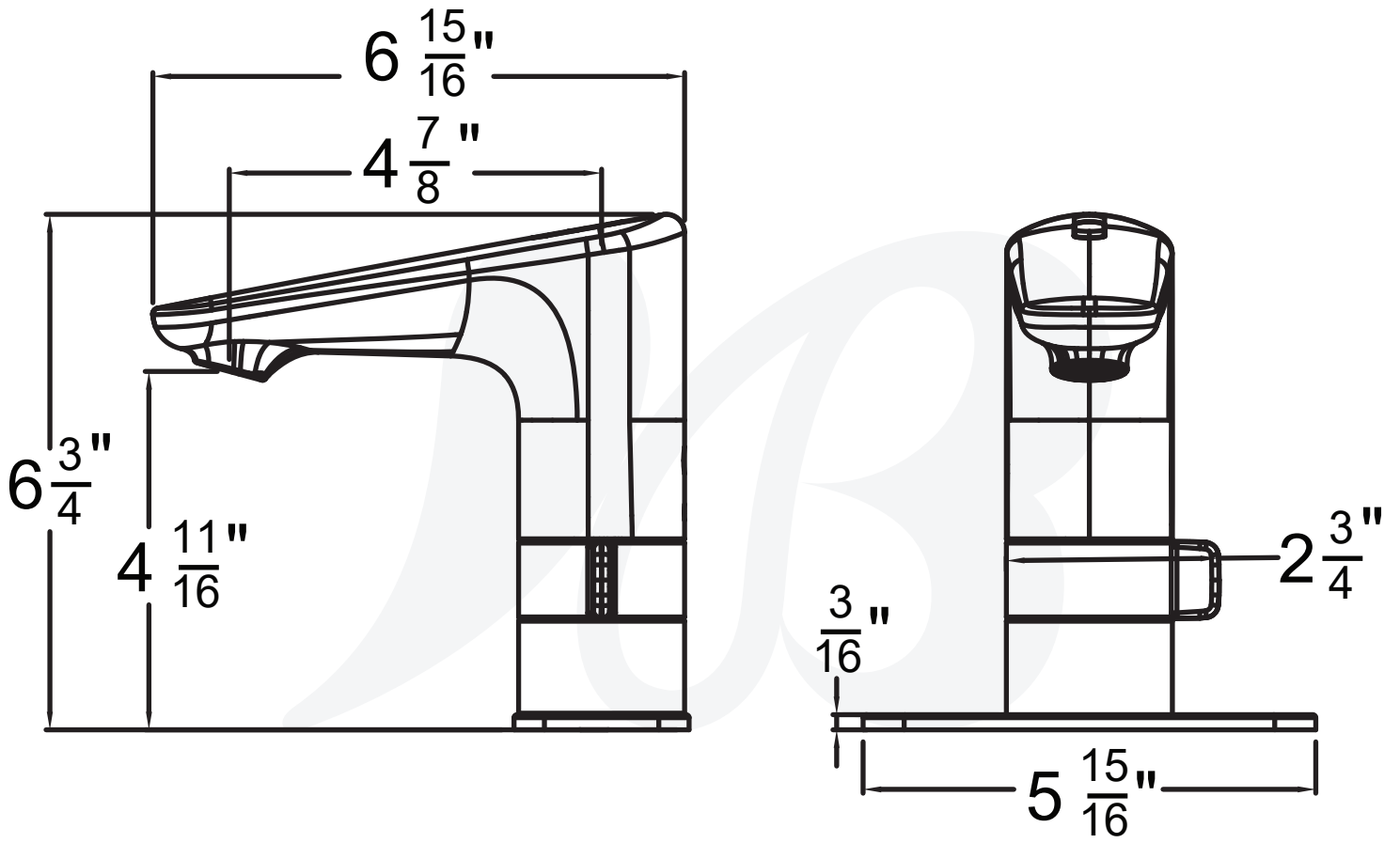
**Colors / Finishes**

- W3182901-R** Chrome
- W3182902-R** PVD Satin Nickel
- W3182949-R** Matte Black

**BREAK DOWN  
Component Parts List**

NO.	Description	Qty
01	AERTRATOR	1
02	INLET	2
03	CHECKSTOP	2
04	WASHER	2
05	CARTRIDGE	1
06	FACE PLATE	1
07	PACKING	1
08	PACKING	1
09	PLATE	1
10	NUT	2





Item Number	Type	Date
W3182901-R, W3182902-R, W3182949-R	Single Control	8/4/2023