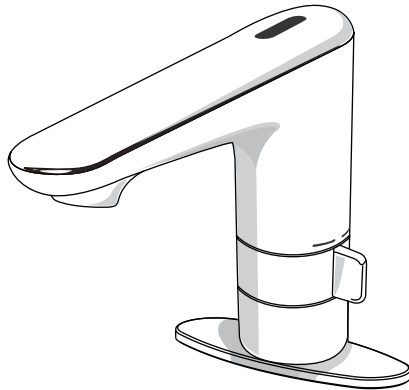




HUNTINGTON

Touchless Basin Faucet

Instruction manual



Contents

.....

Suggested Tools	1
Components List	2
Product dimensions	3
Technical parameters	3
Care instructions	4
Installation steps	5
Operating guidelines	9
LED signal description	10
Troubleshooting	11



Suggested Tools

.....



Adjustable wrench



Electric drill



Tape measure



Pencil



Screw driver

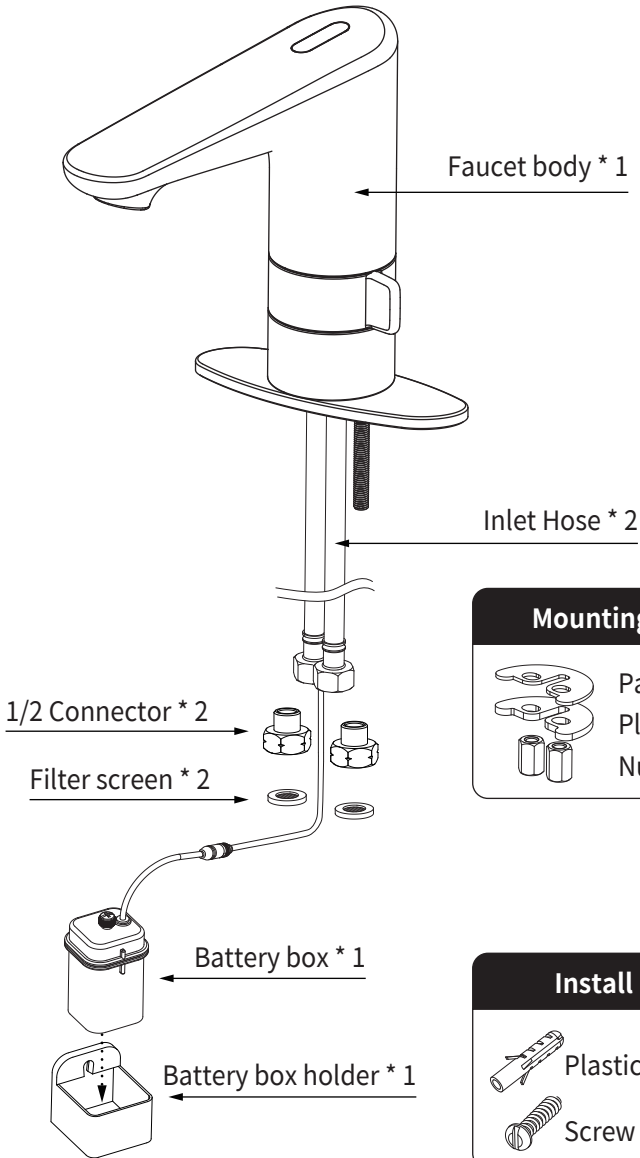


4 "AA" batteries

Please self-provided batteries.

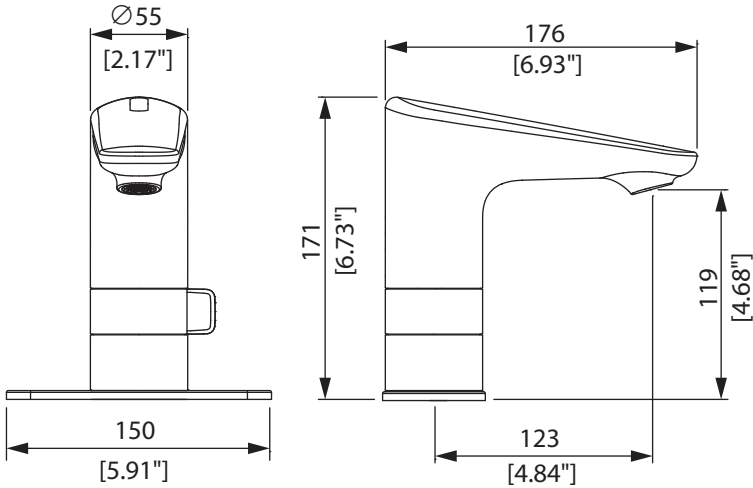
Components List

.....



❗ The product does not contain batteries, so please self-provided batteries.

Product dimensions



D176 x W150 x H171 Ø55 mm

D6.93" x W5.91" x H6.73" Ø2.17"

Technical parameters

Function type

Infrared Sensing

Power supply

Four 'AA' alkaline batteries

Applicable water pressure

0.05-0.8 (MPa)

Sensing range

20 - 80 mm

Power Waste

< 0.5mW

Inlet hose specification

G1/2 & 9/16-24UNFE-2B

Sensing time

open<1 Sec.,close<1 Sec.

limit time for water flow

90-second automatically stop water

Care instructions

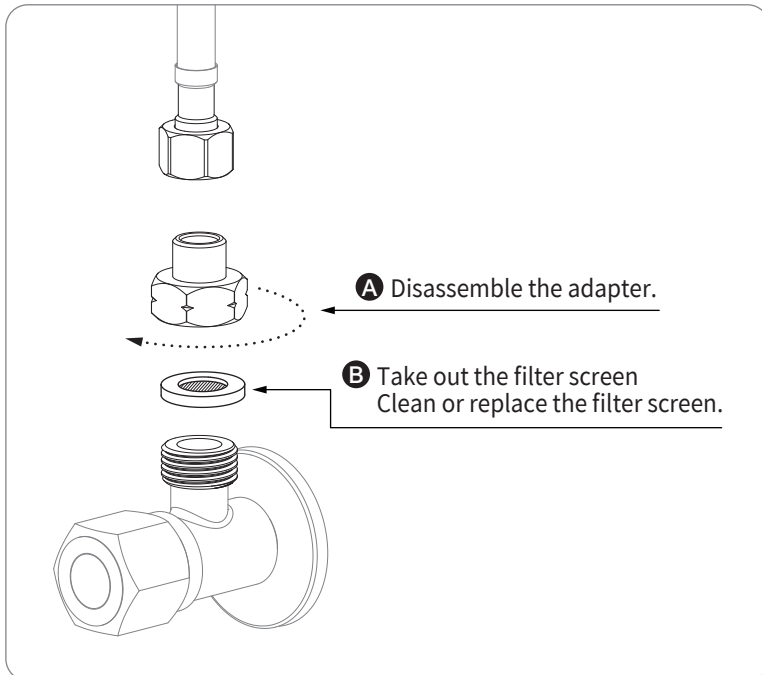
.....

- 1 Our products are metal products, so we need your attention to avoid them being scratched.
- 2 We suggest using soft wet cloth to clean the product instead of strong corrosive detergent.

When the faucet has been used for more than 6 months or the flow becomes smaller.

.....

❗ Pay attention to close the shut off valve before cleaning the filter screen.

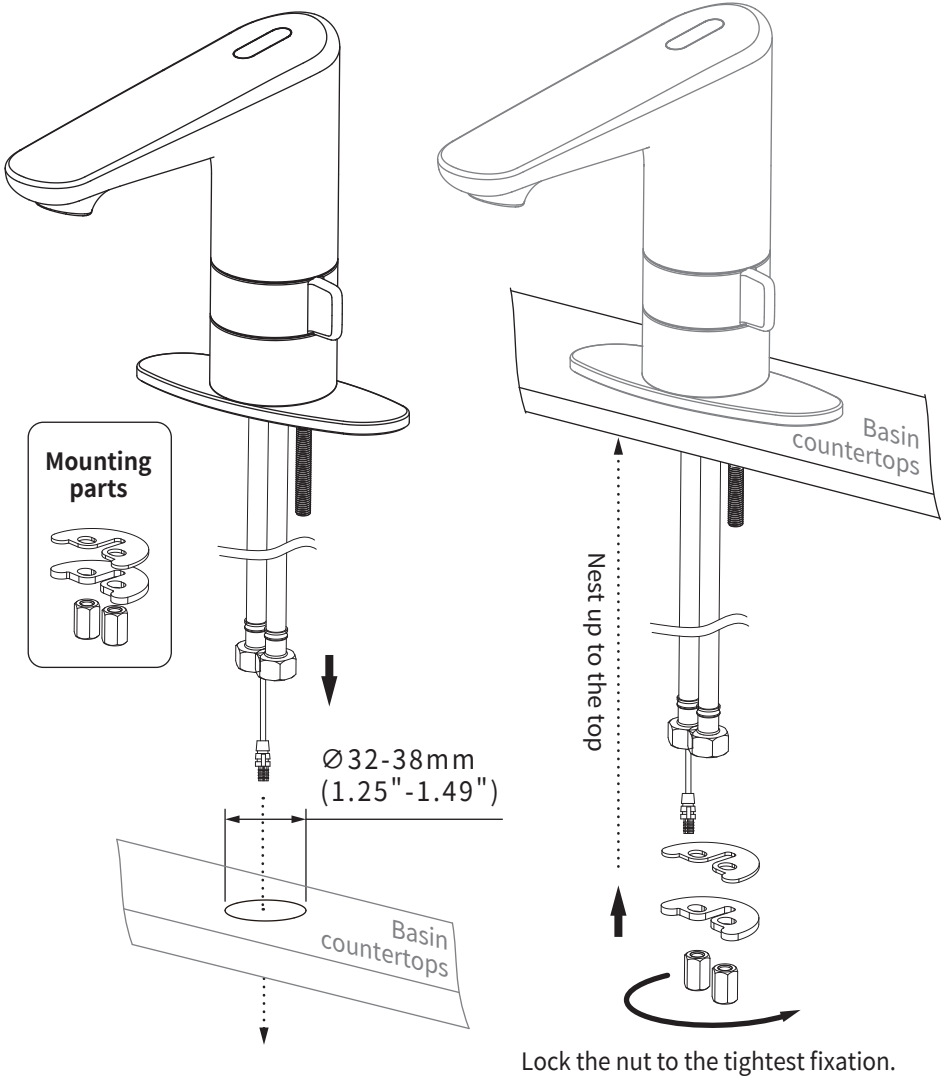


Installation steps

.....

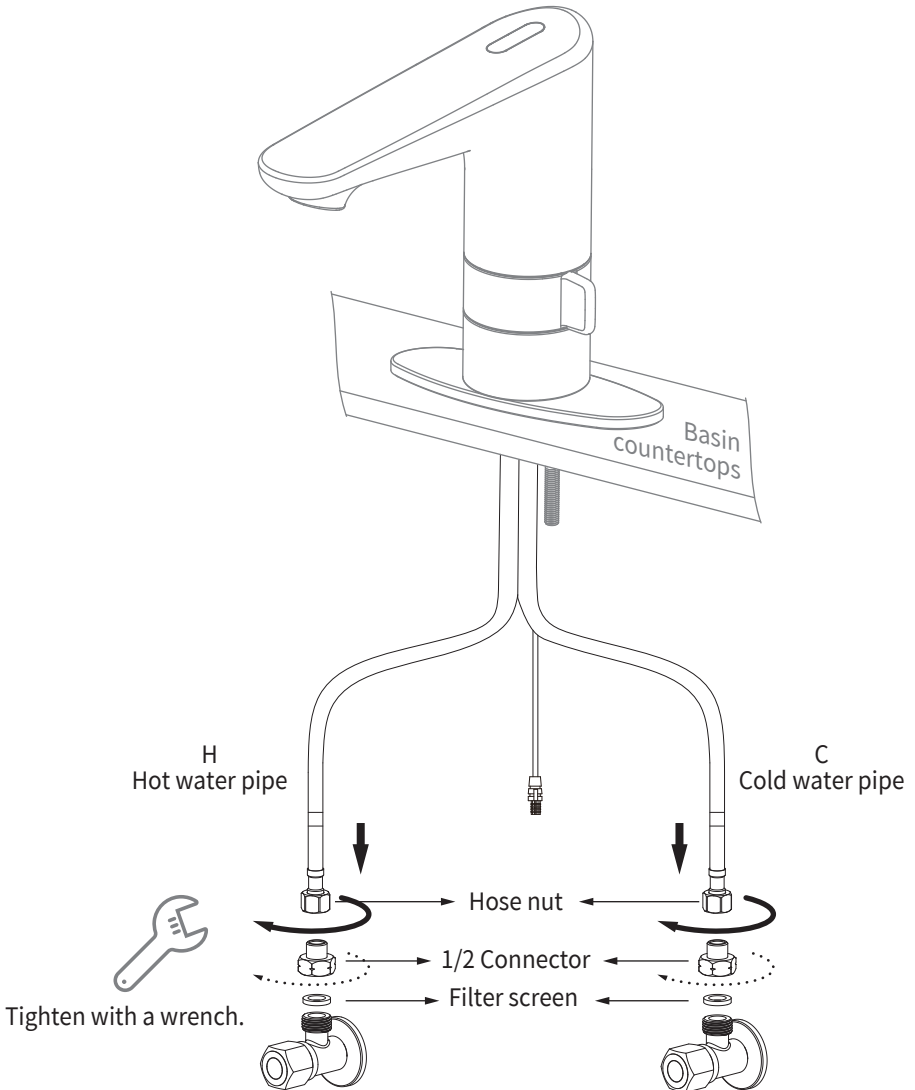
1

First disassemble the mounting parts, then insert the Faucet Body into the mounting hole, and finally install the Locking Nut to fix the Faucet.



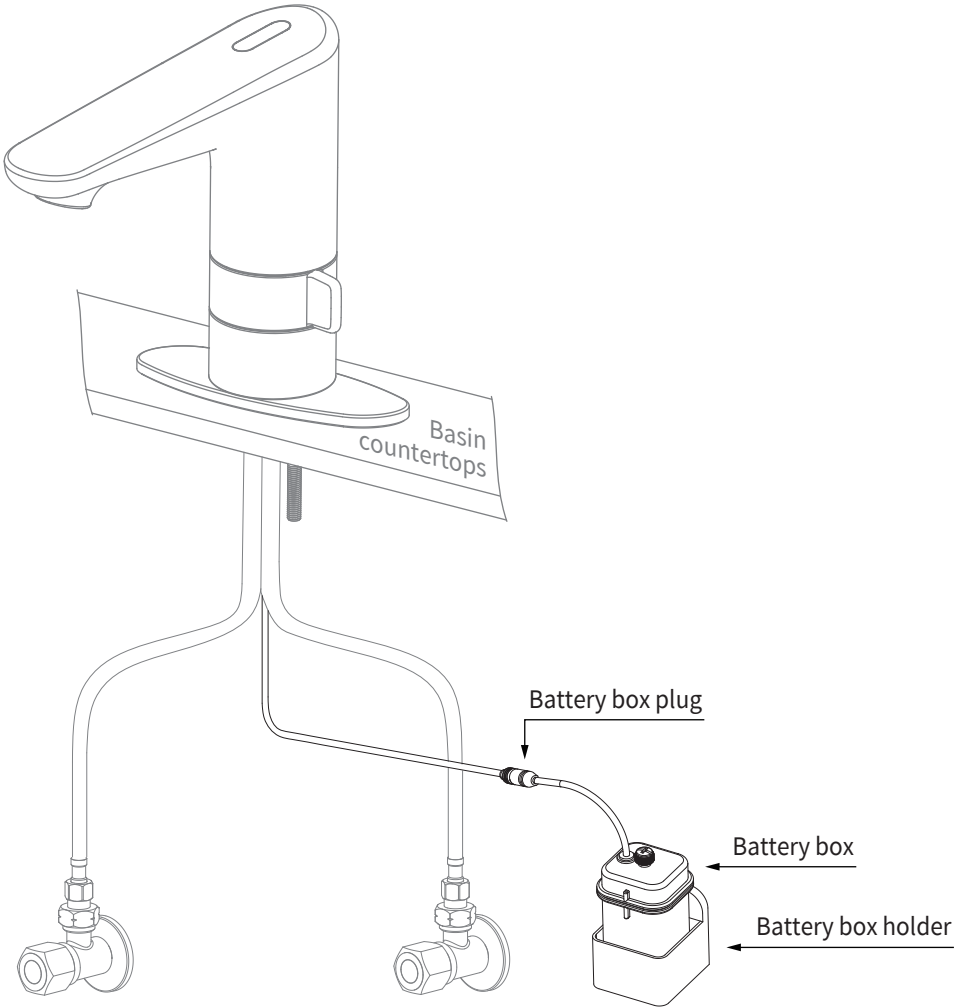
2

Connect the water inlet hose, the hose with red label is connected with hot water, and the hose with blue label is connected with cold water. First, install the 1/2 connector and Filter screen washer attached to the switch connector and tighten it with a wrench, then lock the Hose nut to the connector thread by hand and tighten it with a wrench.



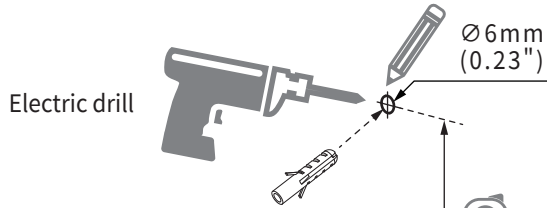
3

Install the battery box. Connect the plug as shown in the figure. Pay attention to the correct direction of the plug. After connecting the battery box, it can be used normally.



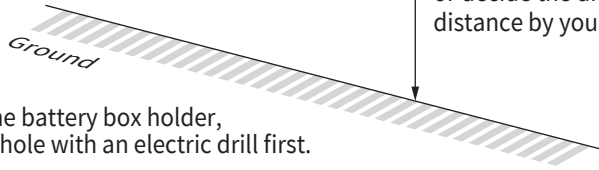
❗ The product does not contain batteries, so please self-provided batteries.

1. Mark the drilling location with a pencil.



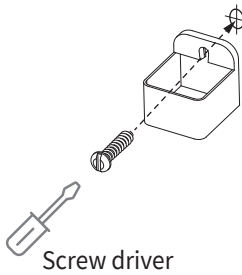
2. Insert the plastic expansion plug after drilling.

 Tape measure
About 300mm(11.81")
or decide the drilling
distance by yourself.

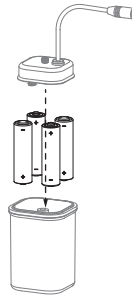


! Install the battery box holder,
Drill the hole with an electric drill first.

3. Lock the battery box holder.



4. Install 4 'AA' batteries.

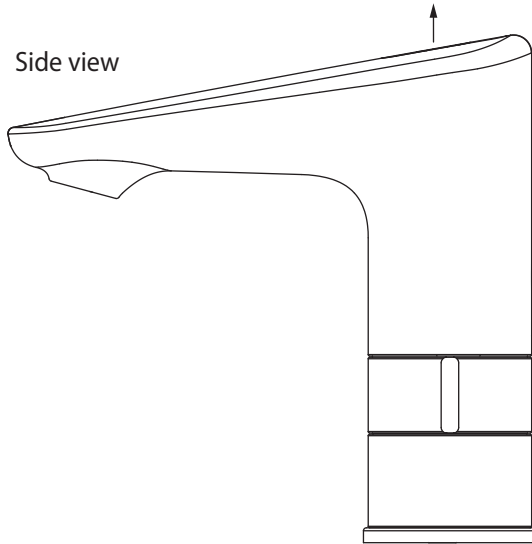


Operating guidelines

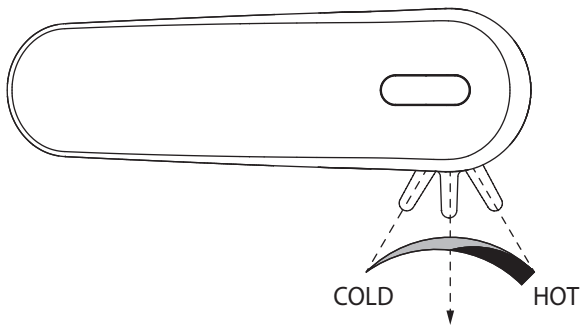


Wave switch
Sensing distance 3/4" to 3 1/8"

Side view



Top view



Adjust the temperature with the handle.

! Note : the Faucet will stop water automatically after 90 second s.

LED signal description



- 1 When the battery is connected, the LED light flashes for 2 times.
- 2 When sensing, the LED light flashes for 1 time and the water flows.
- 3 When sensing, the LED light flashes for 1 time and the water is off.
- 4 When the power is low, the LED light flashes rapidly for 5 times, and there is no water out at this time.

Troubleshooting

.....

❗ In case of the following phenomenon, it may not be the product fault, so it is necessary to solve the problem by yourself. If the problem cannot be solved, please contact the local dealer or our company.

Phenomenon	Cause of failure	Processing method
No water	The battery runs out	Replace the battery
	Water cut-off	Check the water supply
	The filter screen is too dirty to cause blockage	Cleaning filter screen
	The water pressure is too low	Raise the pressure
	The LED light is not on when the machine is turned on Or no action during induction	Please send it for repair
Too little water	Water supply shut down	Adjust water supply
	The filter screen is too dirty	Cleaning filter screen
	The water pressure is too low	Raise the pressure
Too much water	The water pressure is too high	Reduce the water pressure
Short battery life	Use non alkaline or inferior batteries	Replace the battery



***H*B** HUNTINGTON

www.huntingtonbrass.com