

W3182101-1, W3182102-1, W3182116-1, W3182149-1 Single Control Lavatory Faucet

Description

- Single handle, single hole faucet
- Brass pop-up assembly
- Ceramic disc cartridge
- 1.2 GPM @ 60 PSI
- SS hoses with 3/8" compression nuts

Standards

- Complies with IAPMO UPC/cUPC
- California AB100 Complaint
- ADA Accessibility Guidelines for Buildings and Facilities - 427.4 Controlled Mechanisms
- CALGreen compliant
- EPA WaterSense Certified by IAPMO R&T



Colors / Finishes

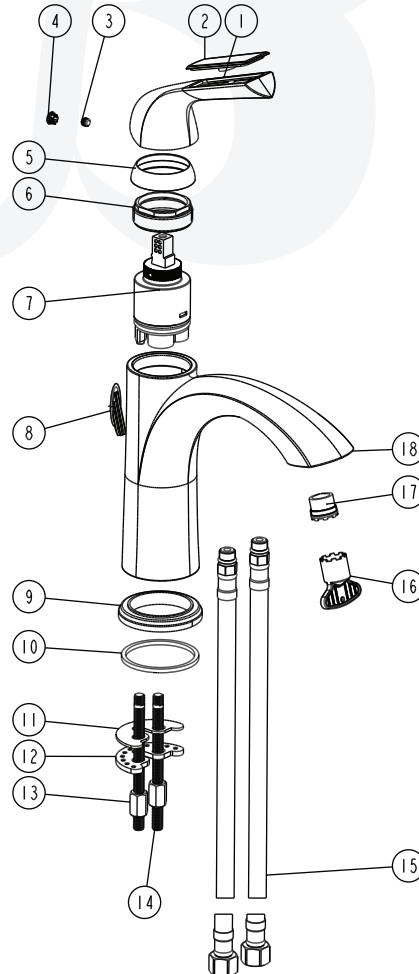
- W3182101-1 - Chrome
- W3182102-1 - PVD Satin Nickel
- W3182116-1 - PVD Satin Brass
- W3182149-1 - Matte Black

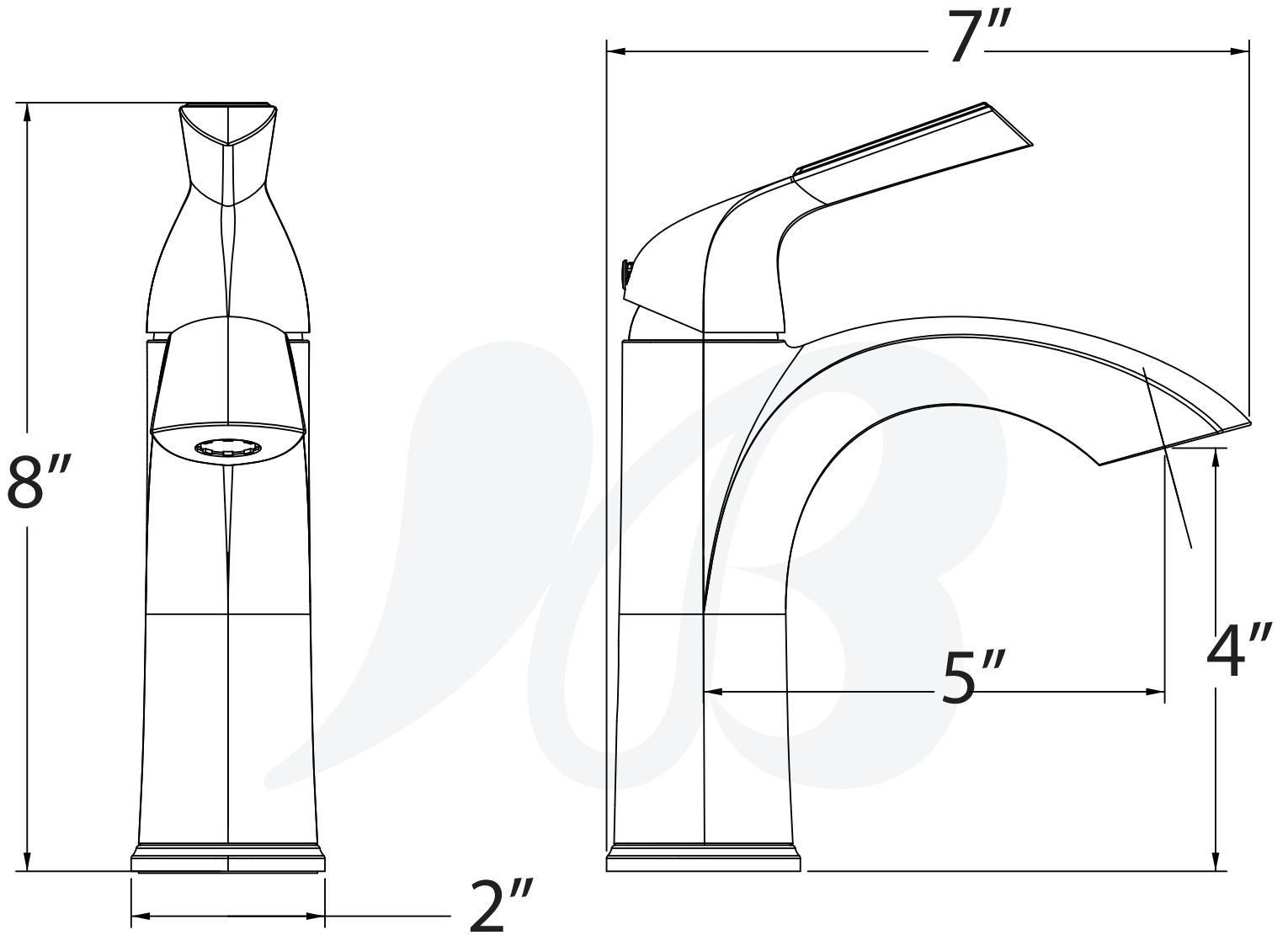
• W3182101-1



**BREAK DOWN
Component Parts List**

18	CTYN0315	body	1
17	ATBX0041	Aerator	1
16	CTQP0050	Aerator GJ	1
15	ATBP0422	hose	2
14	CTST0013	bolt	2
13	CTNB0321	Nut	2
12	CTWT0059	washer	1
11	CTWR0028	PACKING	1
10	CTWR0157	washer	1
9	CTDB0661	plate	1
8	CTCP0440	cover	1
7	ATBA0162	Cartridge	1
6	CTKB0120	nut	1
5	CTCB0650	cover	1
4	CTCP0072	handle cover	1
3	CTST0084	bolt	1
2	CTCZ0304	handle cover	1
1	CTHZ0705	handle	1
NO.	Drawing No.	Part Description	Quantity





Item Number	Type	Date
W3182101-1, W3182102-1, W3182116-1, W3182149-1	Single Control	3-4-2020