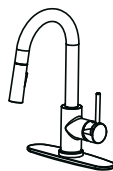
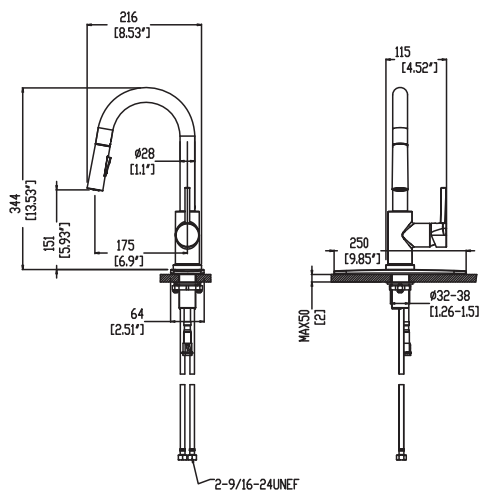


**K18233-J**

**SINGLE CONTROL KITCHEN PULL-DOWN FAUCET**



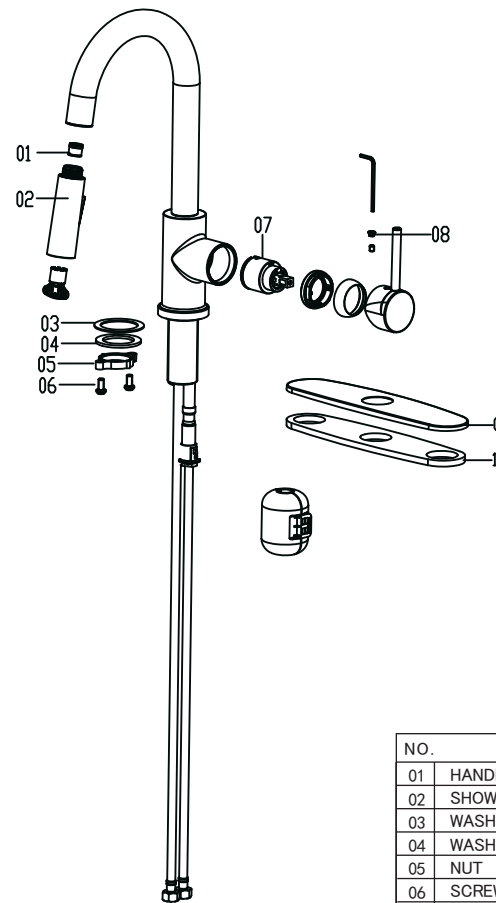
**DIMENSIONS**



■ For Reference only (unit = mm[inch])

**EXPLODED DRAWING**

Please read the followings before installing and usage.



**TECHNICAL DETAILS**

Please read the followings before installing and usage.

**1 Description**

- Metal handle
- Metal construction
- Ceramic disc Cartridge(Φ35MM)

**3 Certificate**



**2 Technique Parameter**

Parameter Market	Water Pressure	Water Temperature
ASME A112.18.1/ CSA B125.1	20-80PSI	10-65°C

**4 Surface maintenance**

Remove any surface dirt and film using clean water and cotton cloth. Spray cleaner such as mild liquid detergents, clear liquid glass cleaner, non-acidic and fully dissolved powder cleaners or non-abrasive liquid polishers on the rag to clean the faucet surface.

Once clean,rinse faucet again with clear water to thoroughly remove cleaner and dry with soft cotton cloth.

NO.	Description	Qty
01	HANDLE	1
02	SHOWER	1
03	WASHER	1
04	WASHER	1
05	NUT	1
06	SCREW	2
07	CARTEIDGE	1
08	CAP	1
09	FACE PLATE	1
10	PACKING	1

■ Notes: For reference only. We reserve the right to make changes without any notice.