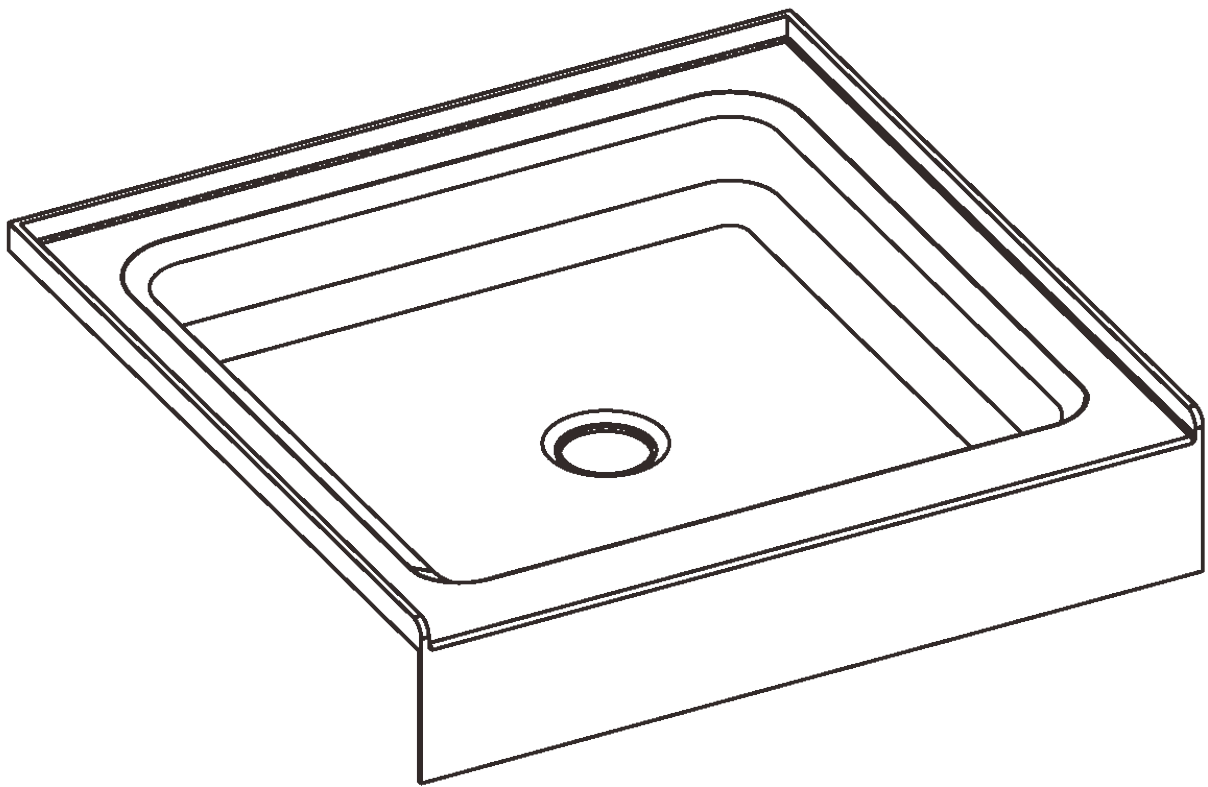


INSTALLATION INSTRUCTIONS

Swiss Madison[®]
well made forever



Share your pictures for a feature!
using **#SwissMadison**





Prior to Installation:

- Inspect showerbase to ensure no damages have occurred while in shipping.
- Observe all plumbing and building codes in accordance with your state and local requirements.
- Additional floor and wall preparations may be necessary to avoid damage to the product.
- All dimensions are nominal! Be sure to measure your showerbase prior to installation to accurately determine your enclosure size.

General Recommendations: Read installation and maintenance instructions thoroughly before installation. Be sure to use proper tools and always wear proper personal safety accessories for your protection.

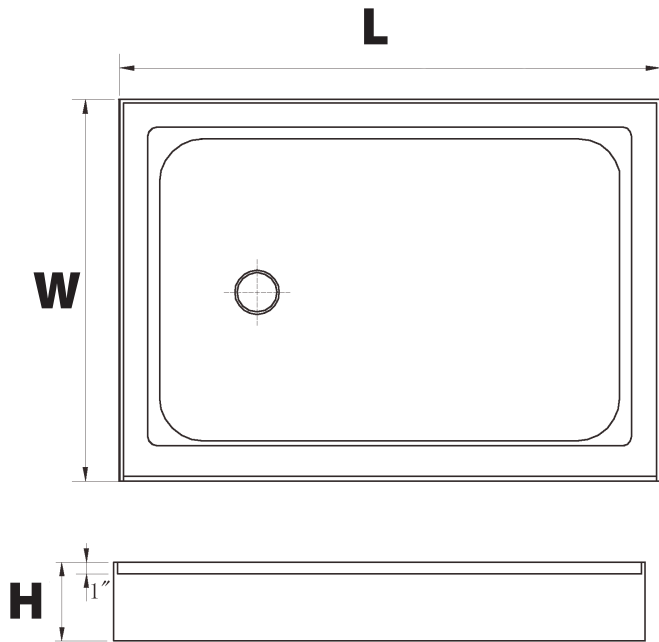
Thank you for your purchase

Thank you for purchasing a Swiss Madison Shower Base.

We appreciate your business and know you will enjoy your shower base for many years to come.

Sincerely,

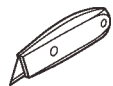
The Swiss Madison Team



SUGGESTED TOOLS AND MATERIALS



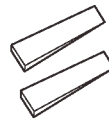
Safety Glasses



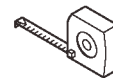
Utility Knife



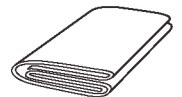
Pencil



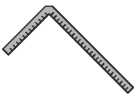
Shims



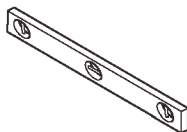
Tape Measure



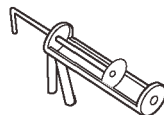
Drop Cloth



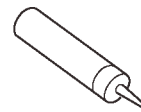
Square



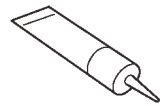
Level



Caulk Gun



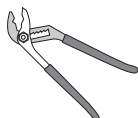
Adhesive
(1 tube)



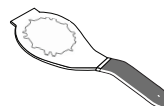
Sealant
(1 tube)



Expansion
Foam



Slip-Joint
Pliers



Drain Wrench

💧 If installing a wall set, refer to wall set installation instructions.



CAUTION: DO NOT use drywall screws to secure flanges to wall studs. Product damage will occur and will void the warranty.



Entire bottom support must be in contact with a flat level surface.

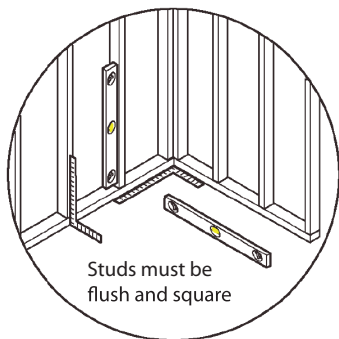
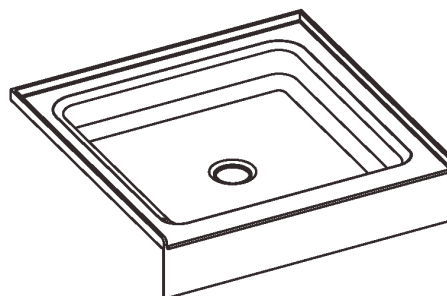
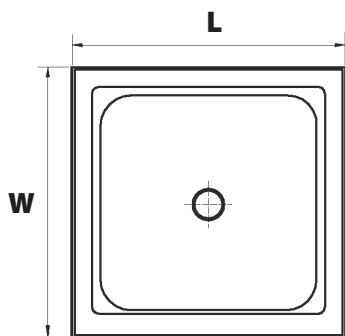


1. Read the complete instruction manual before beginning installation.
2. Confirm that your model will fit in intended location and plumbing fixtures are located where legally required before beginning installation.
3. Not all drawings on this manual are drawn to scale. Please refer to the model chart.
4. Walls and sub-floor must be solid, flush, and square.
5. Always use drop cloth to protect shower base from damage during installation.
6. Two people are recommended to install and move this product.

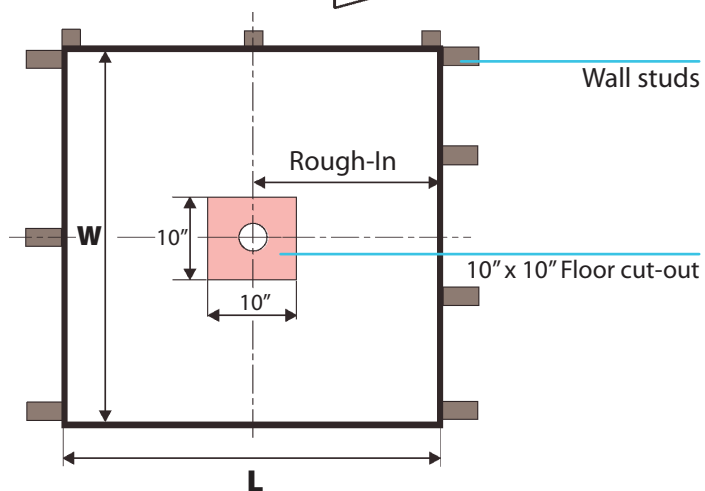
NOTE: This manual shows our recommended installation method, your installation require another method and you should consult a professional prior.

Roughing-in

- Rough plumbing must be pre-installed by a licensed plumber before shower base installation.
- If floor drain-hole installation is needed, contact a licensed plumber.
- Dimensions given during roughing-in are crucial for a proper installation.



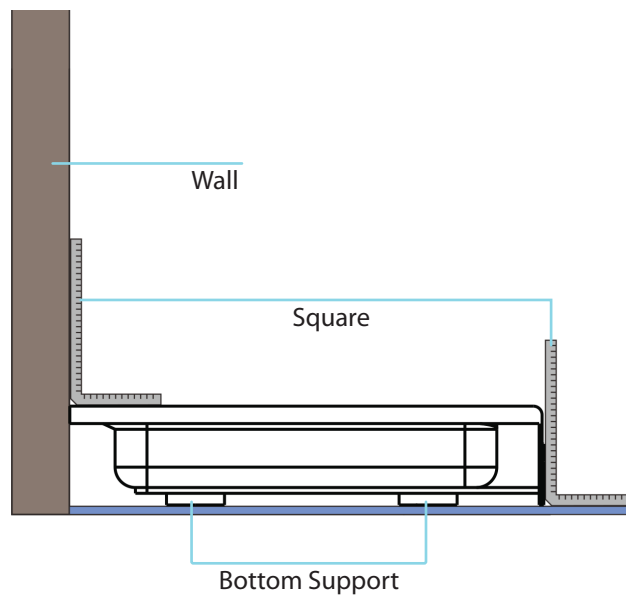
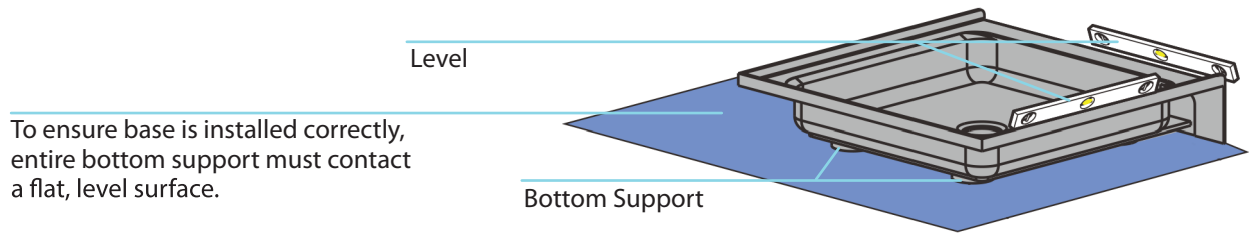
Stud opening tolerance is +1/4" and -1"



NOTE: All measurements are nominal.

Leveling the floor

1. Verify that the shower base is level using the “level” tool on all four sides.
 - If the shower base is level proceed to step 2.
 - If shower base ***is not*** level use shims or mortar compound to adjust accordingly. Verify with “level tool.”
2. Mark drain hole on floor. (All in floor plumbing must be installed by a licensed plumber)



Pre-attach Drain

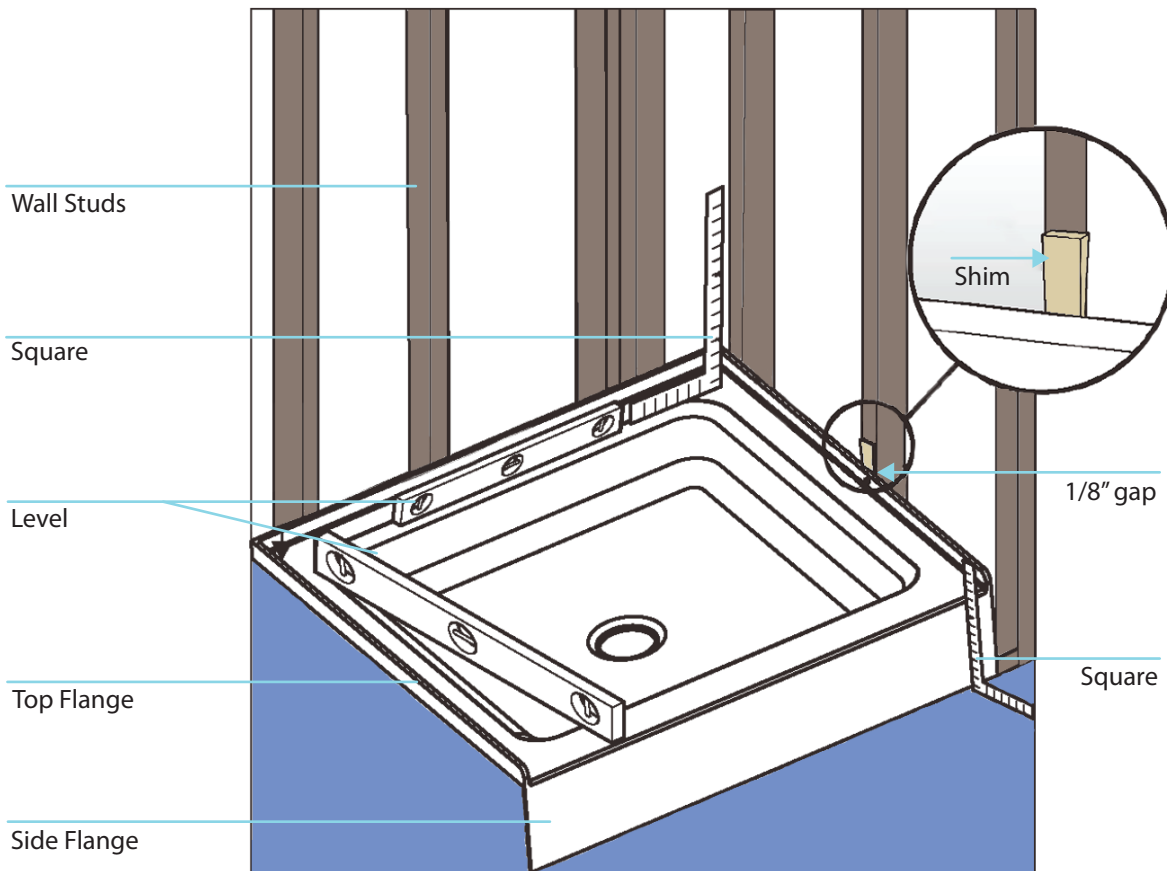
⚠️ WARNING: DO NOT discard cardboard ring.

1. Remove shower base from dry fit.
2. Thread silicone or plumbers putty under drain lip, so when inserted excess sealant will squeeze out from between drain and shower base floor creating an air tight seal.
3. Flip shower pan upside down: Add rubber ring then cardboard ring and lastly screw on the plastic ring.
4. While holding the bottom of the shower drain in place with split-joint pliers, use shower wrench to tighten the plastic ring until drain sits flush with shower base floor.
5. Use rubbing alcohol and a towel to remove all excess silicone/plumbers putty from around drain lip.

Installing Shower Base

1. Re-insert shower base into shower cavity making sure that shower base drain and floor rough-in are aligned.
2. Before laying down shower base, fill shower cavity with expanding foam in snake formation. Leave 6-8 inches from end of shower area empty of expanding foam.
3. Re-insert shower pan into shower cavity leaving 1/8" (use shims) between wood studs and shower base on all sides.
4. Verify shower base is level using level tool on all 4 sides.

NOTE: Expanding foam generally settles within 10-15 minutes.



5. Place drop cloth in bathtub and stand inside the shower base to press it to the floor when securing to the wall studs.



ONE YEAR LIMITED WARRANTY

Swiss Madison® products are made with quality materials and excellent craftsmanship to provide the customers a long lasting product. In the case of any defects in materials or craftsmanship under regular use were inspected in the first year of purchase, Swiss Madison® will provide replacement parts at no charge, or at its option, replace any product or part of the product that is deemed defective, under normal installation, use, service and maintenance. This warranty applies only to the original purchaser. Proof of purchase will be required in the case of a claim.

Swiss Madison® recommends the installations to be made by a licensed, professional plumber. Swiss Madison® will not be held responsible for any damage or product failure due to improper installation, misuse, or failure to use a licensed professional. Swiss Madison® is not responsible for any removal or installation cost.

This One Year Limited Warranty will be voided if:

- The installation recommendations were not followed.
- The product has been moved from it's initial place of installation.
- The product has been modified.
- The product has been subjected to improper maintenance, abuse, misuse, excessive use of chemicals, accident or other damages.

Swiss Madison® makes no implication that products comply with any or all local building or plumbing codes. It is the consumer's responsibility to determine local code compliance. This warranty extends to the original purchaser and first consumer.

Swiss Madison® is not liable for any incidental, consequential or special damages associated with the return, replacement, installation or use of your product. This includes freight costs, labor, travel time, lost profit, home damages and other contingent liabilities and costs (including, without limitation, costs associated with experts, investigations, analyses, attorneys and other professionals and services).

The Swiss Madison® warranty is a comprehensive and explicit limit of liability, and all items outside of it are not addressable by or the responsibility of Swiss Madison®. Certain states have variances regarding implied warranties and in those situations we remain fully compliant.

WARNING: Content may contain sharp and other possibly harmful pieces and may cause hazard to children and adults, Swiss Madison® is not responsible in any way for personal damage.