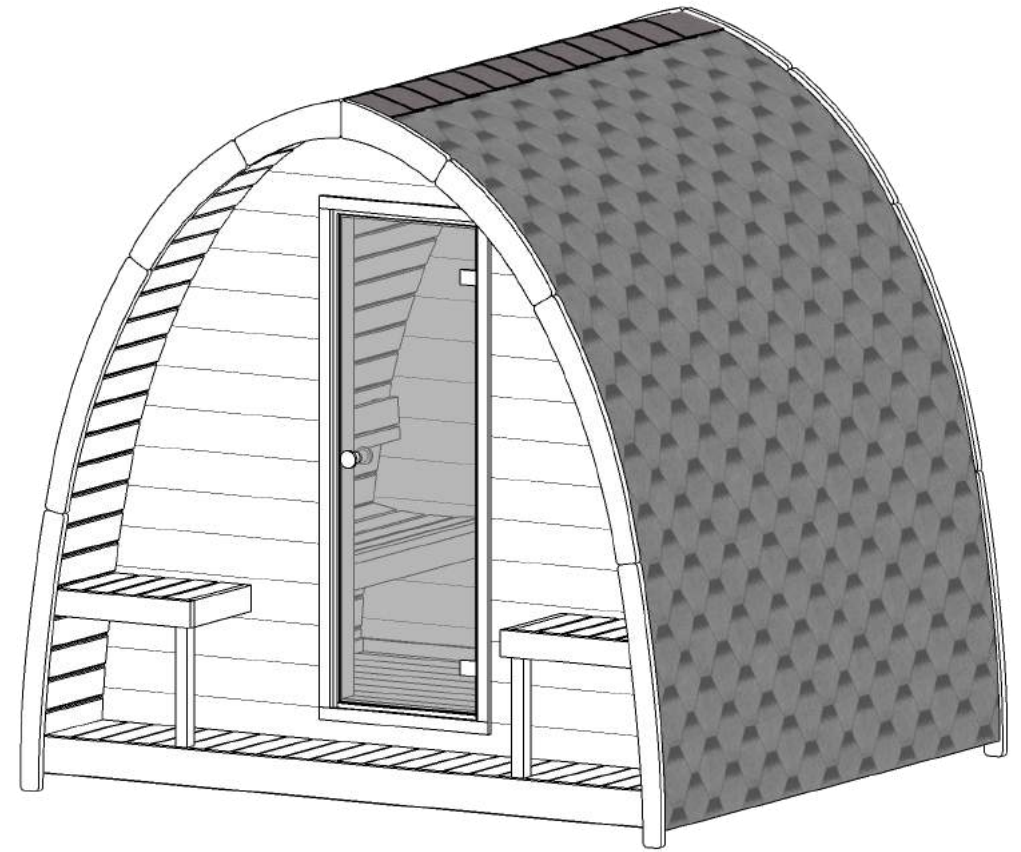
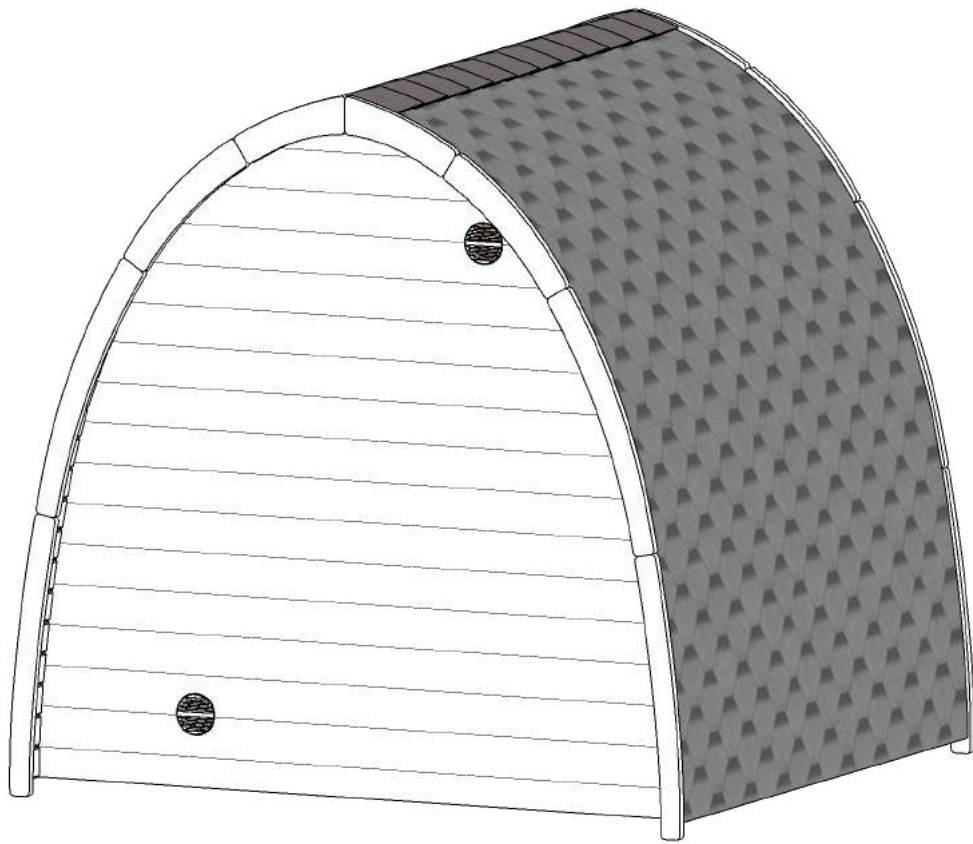


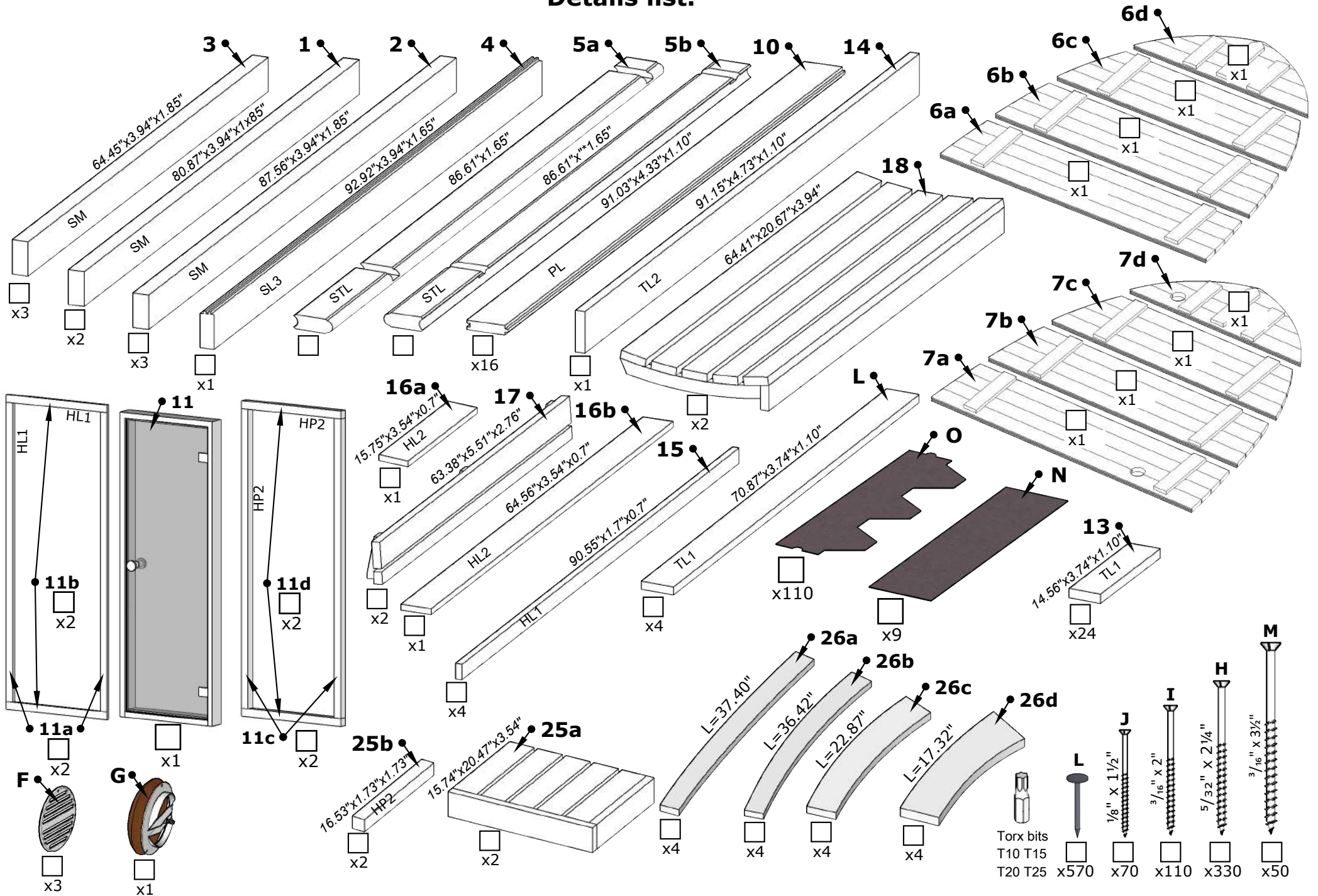


## Garden-Series G3 Outdoor Sauna

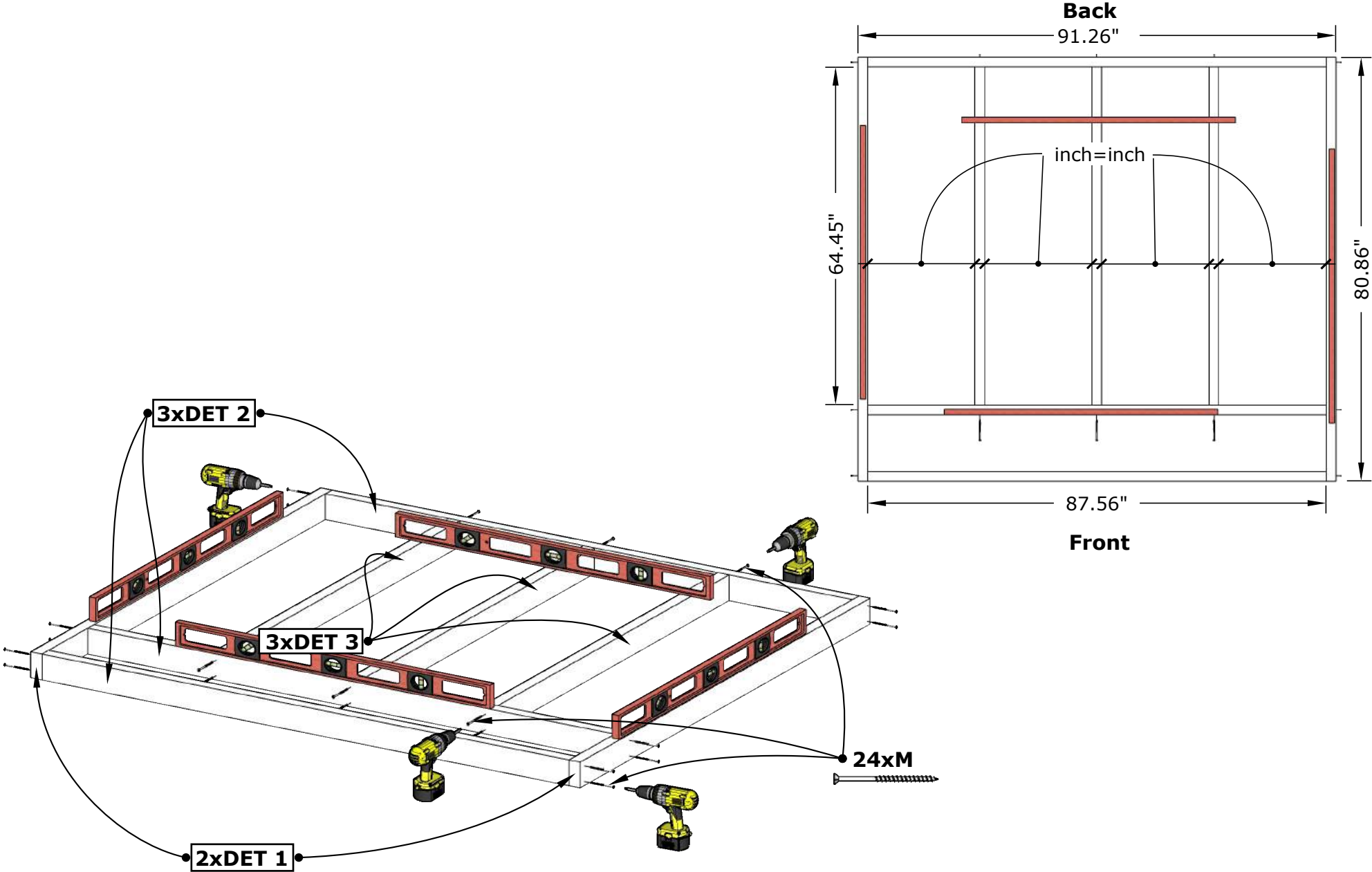


# G3 Outdoor Sauna

## Details list.



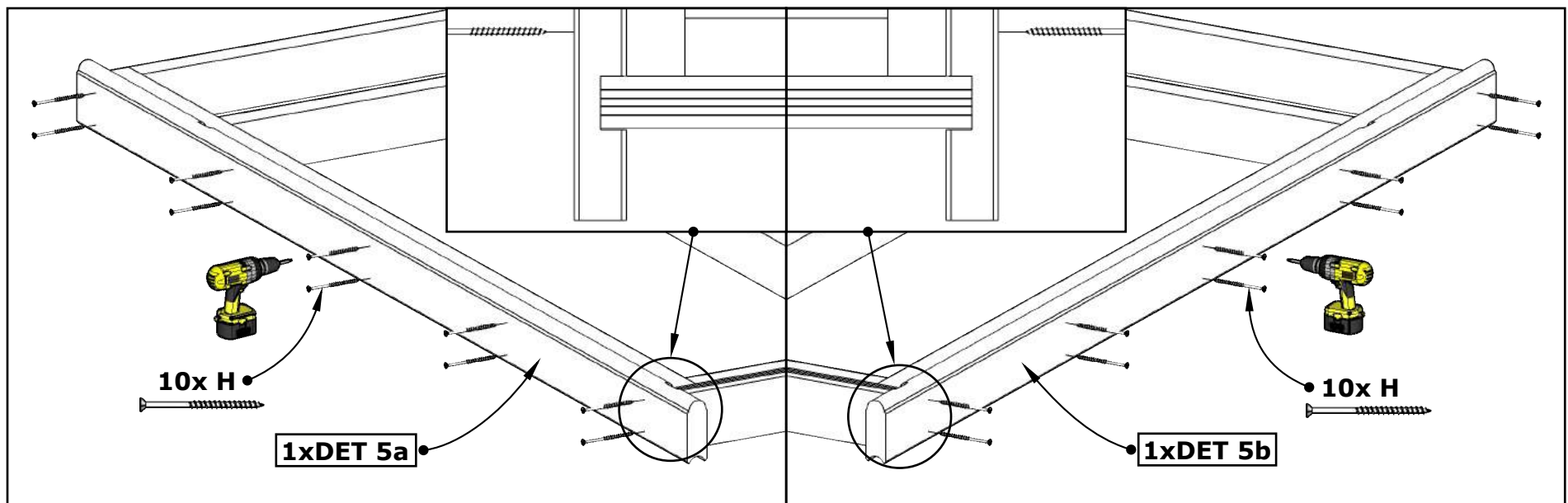
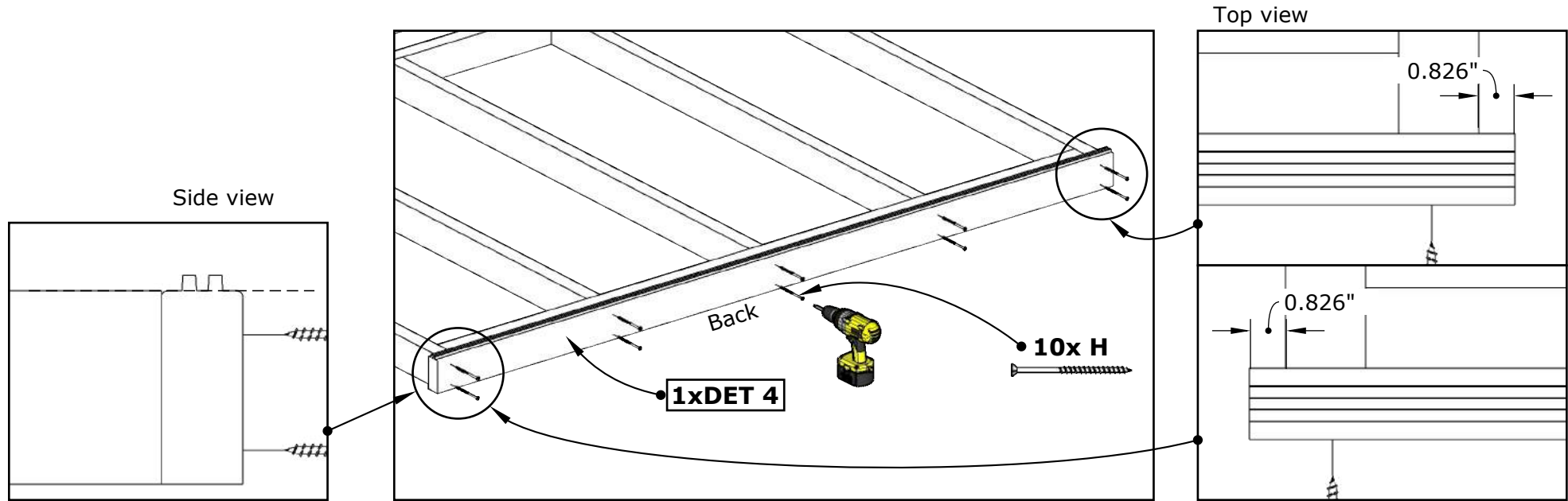
# G3 Outdoor Sauna



1.

I

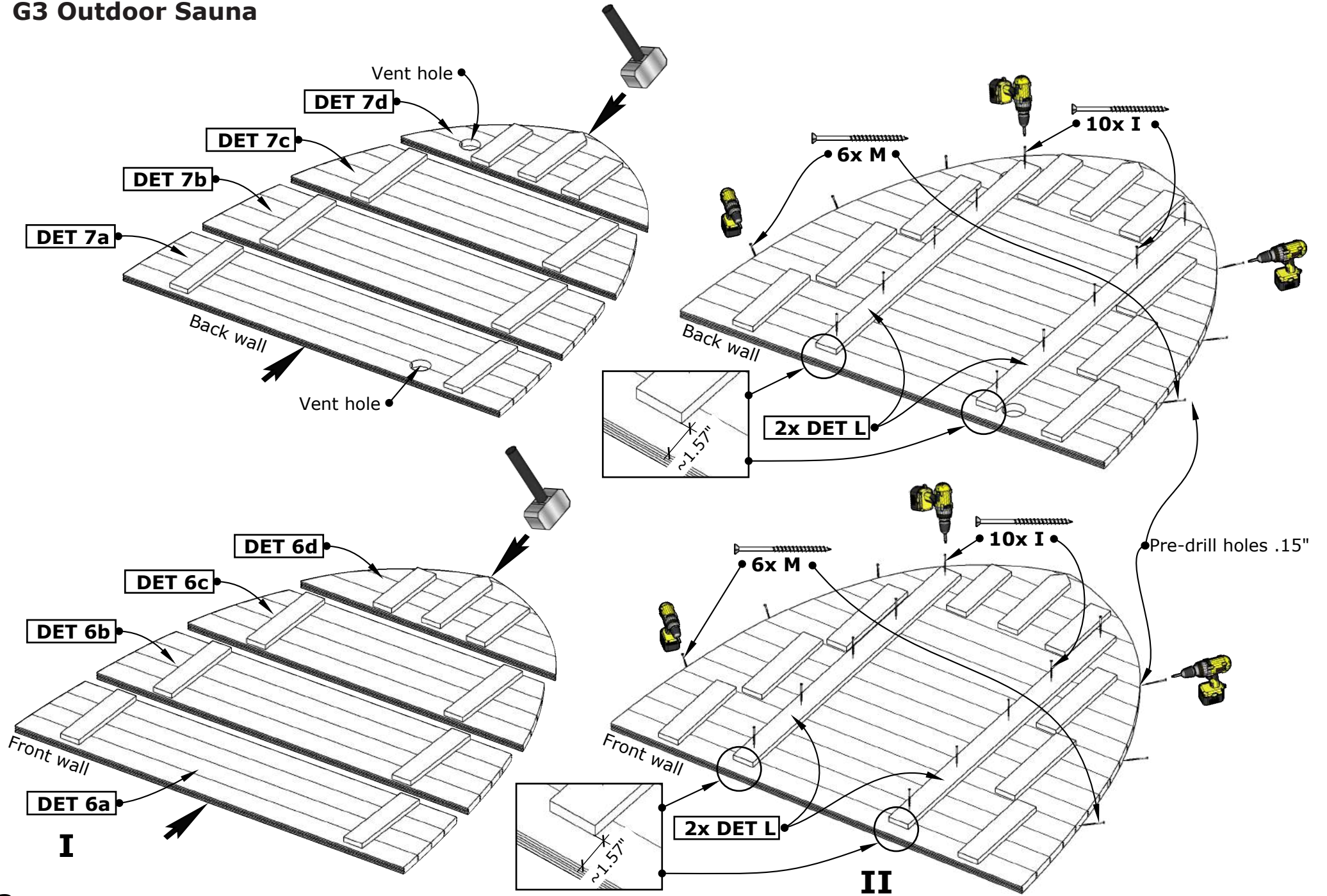
# G3 Outdoor Sauna



2.

**II**

# G3 Outdoor Sauna



3.

# G3 Outdoor Sauna



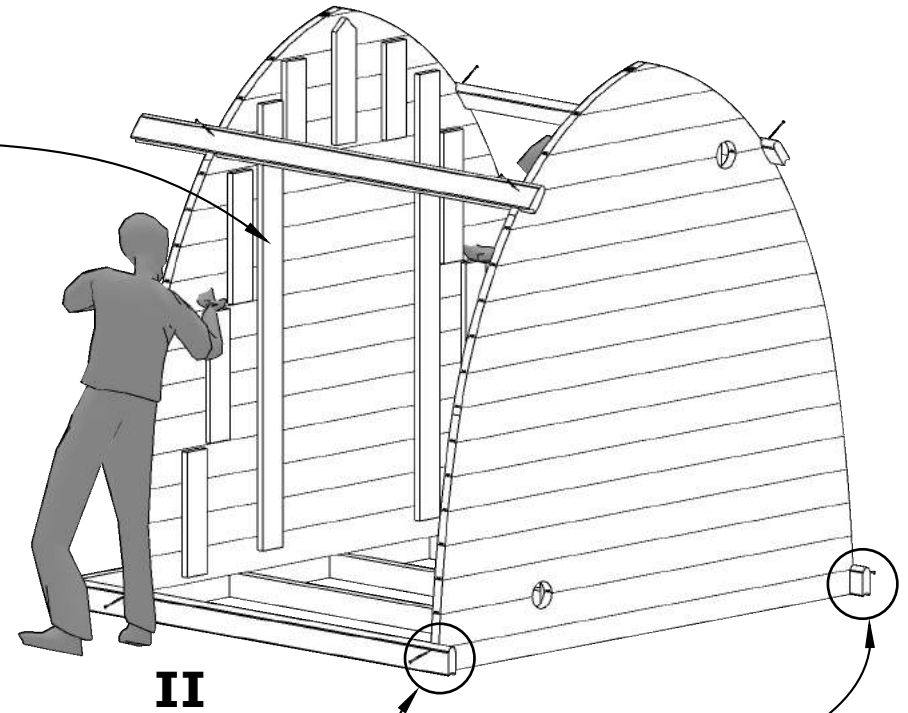
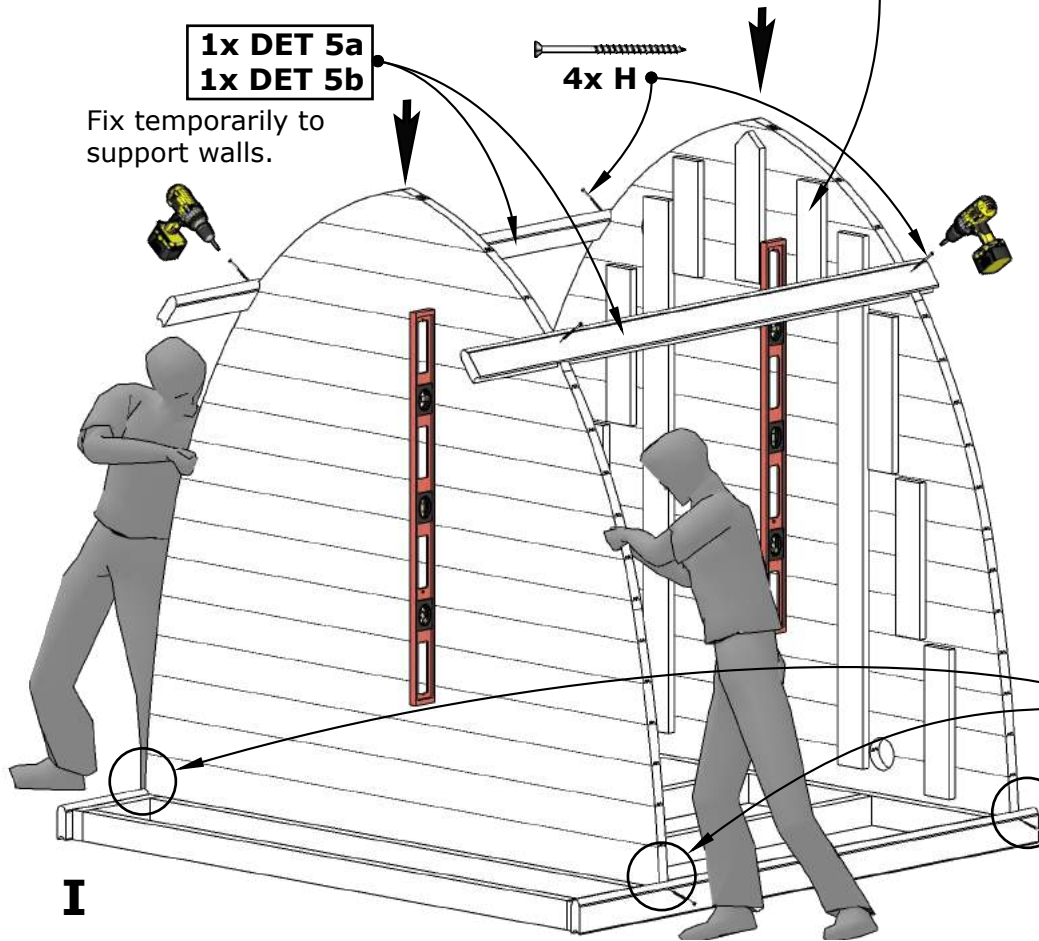
Use water level!

1x DET 5a  
1x DET 5b

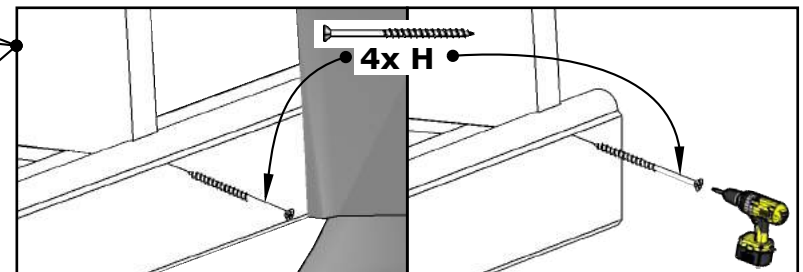
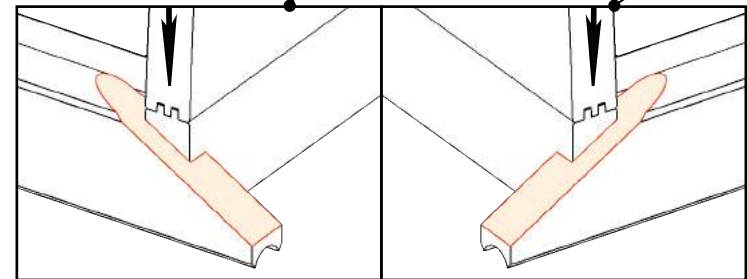
Fix temporarily to support walls.

4x H

Brackets inside

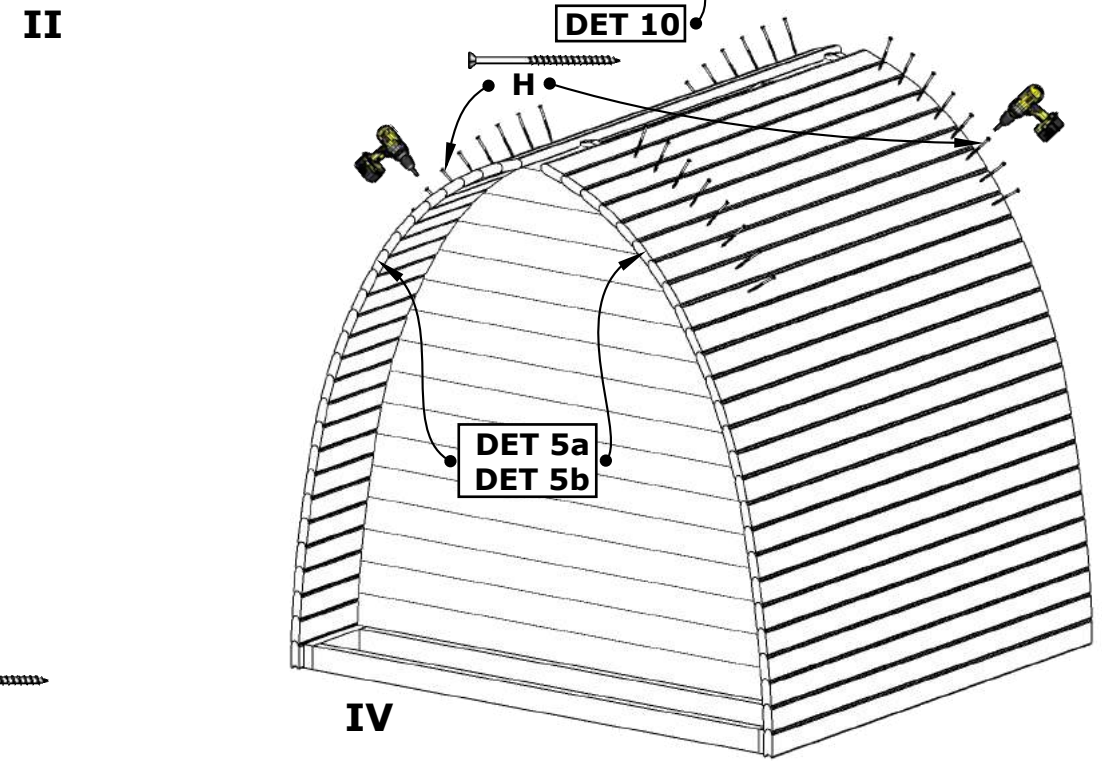
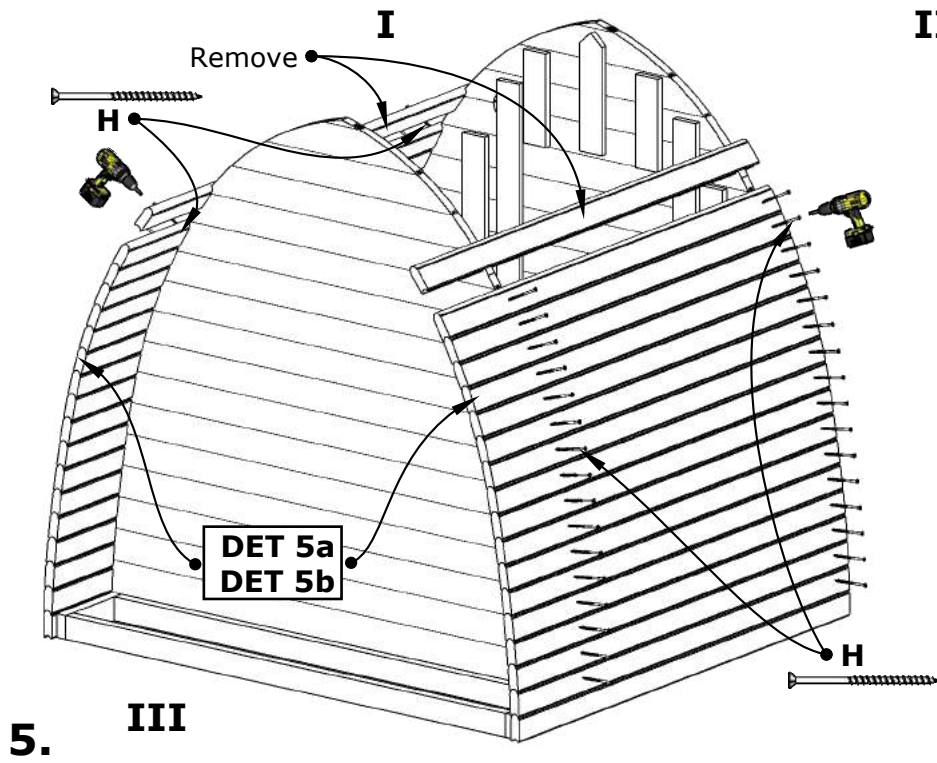
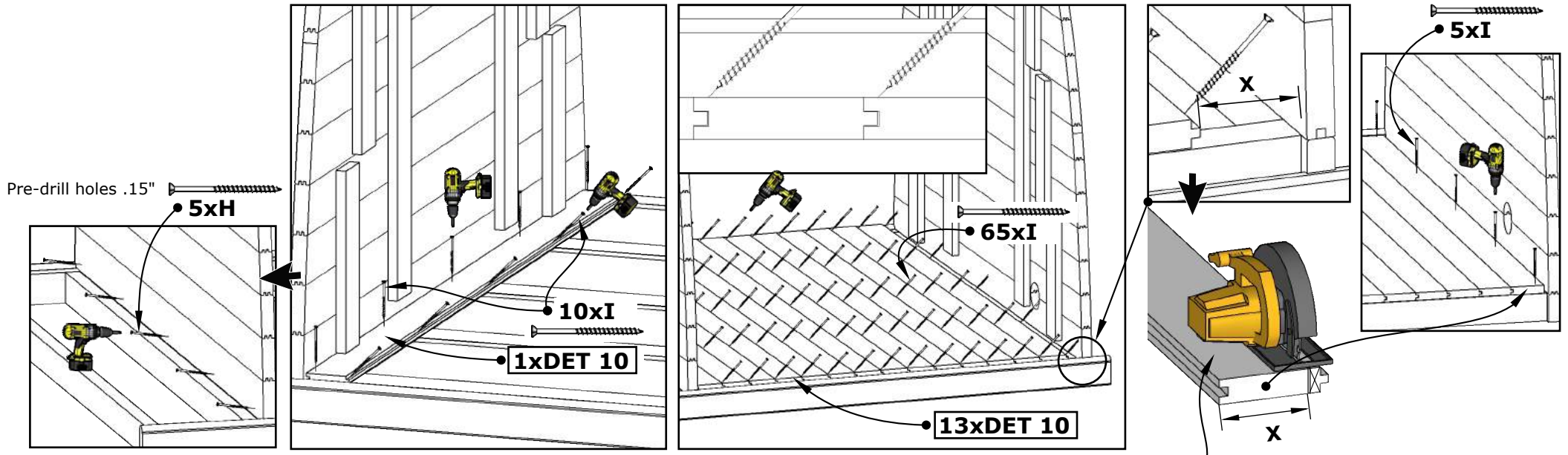


Pre-drill holes .15"

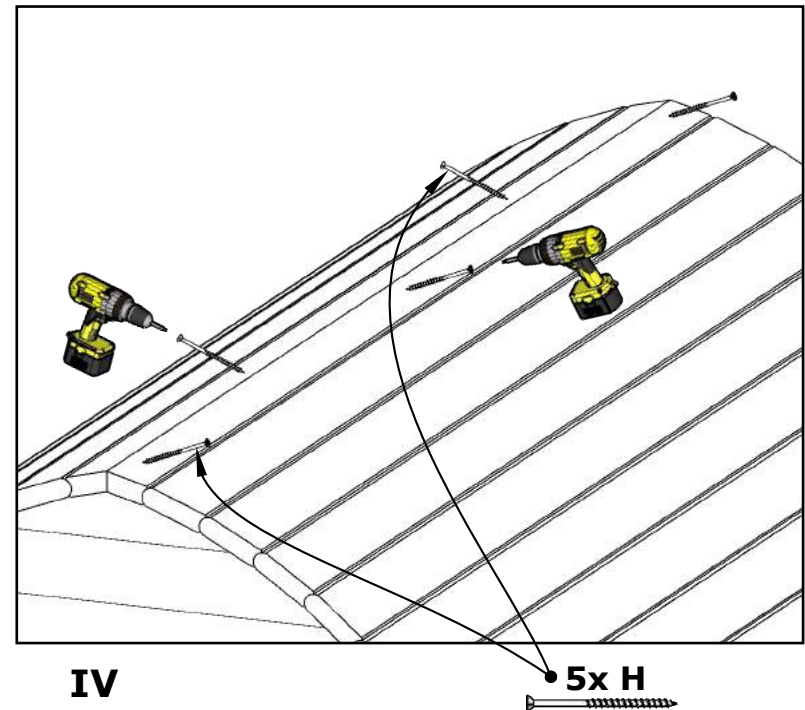
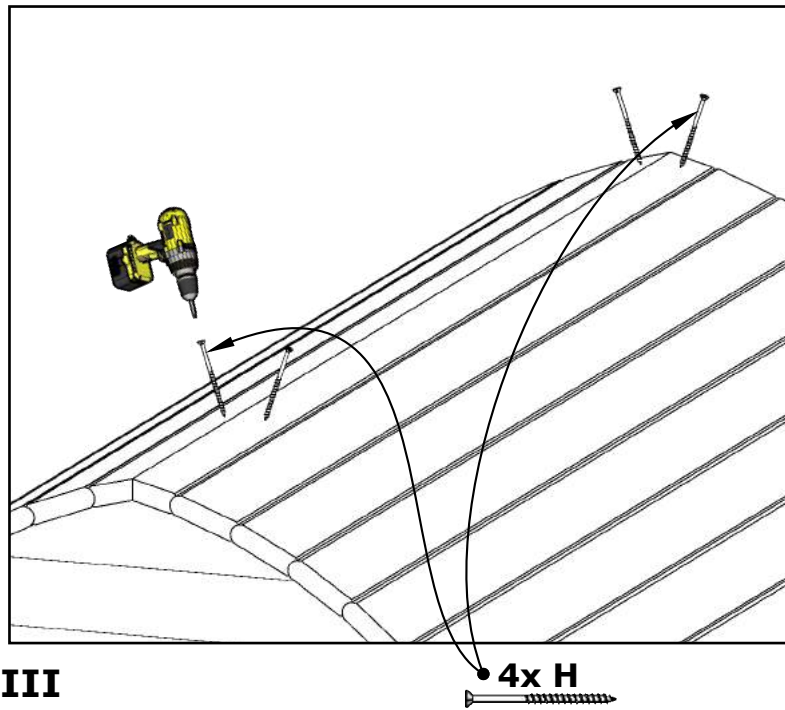
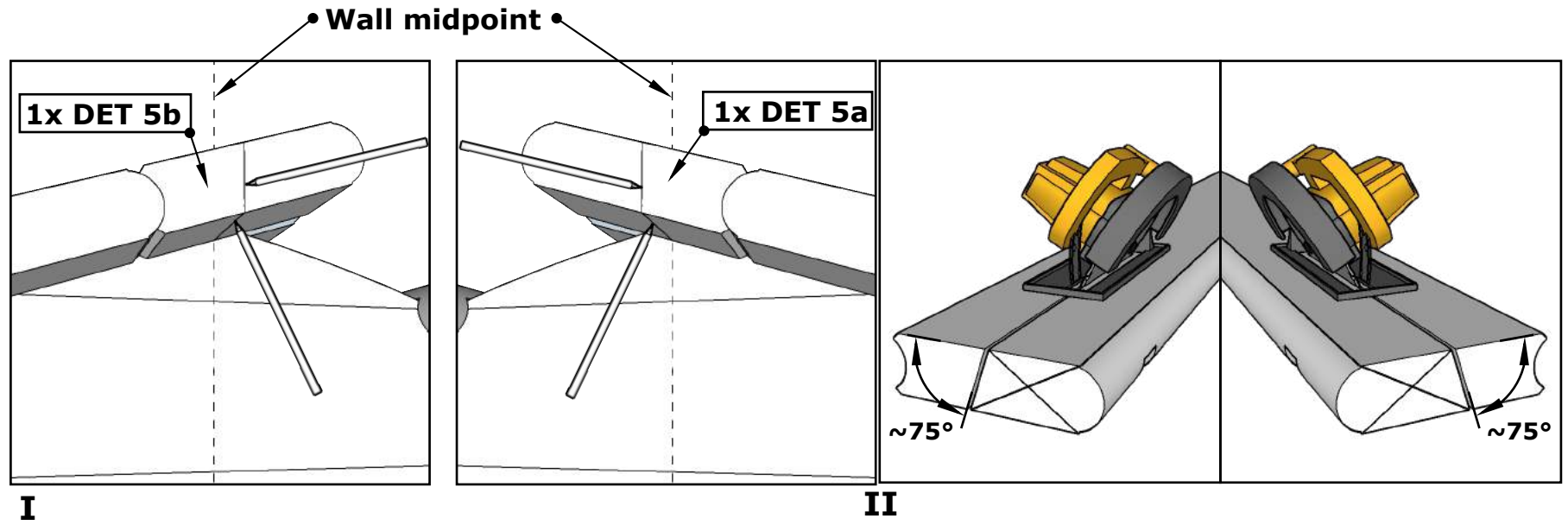


4.

# G3 Outdoor Sauna



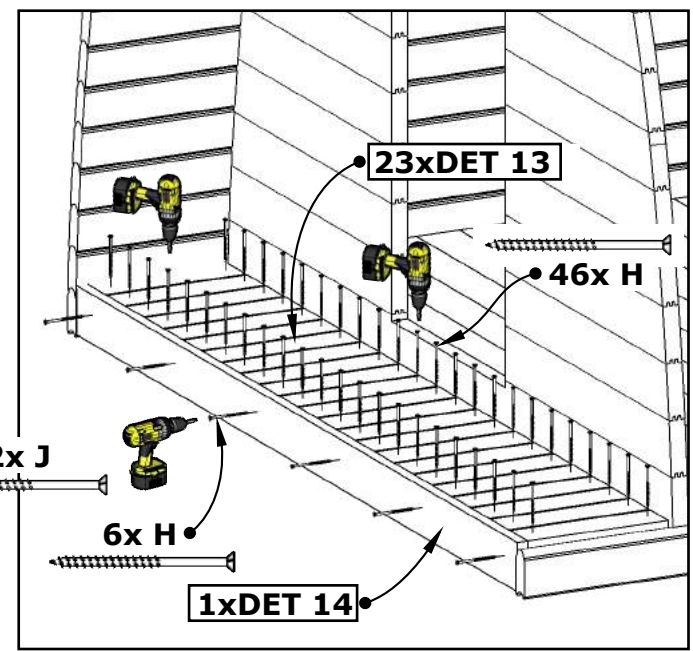
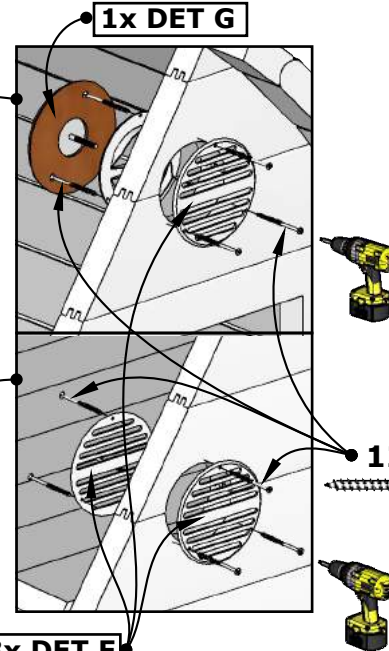
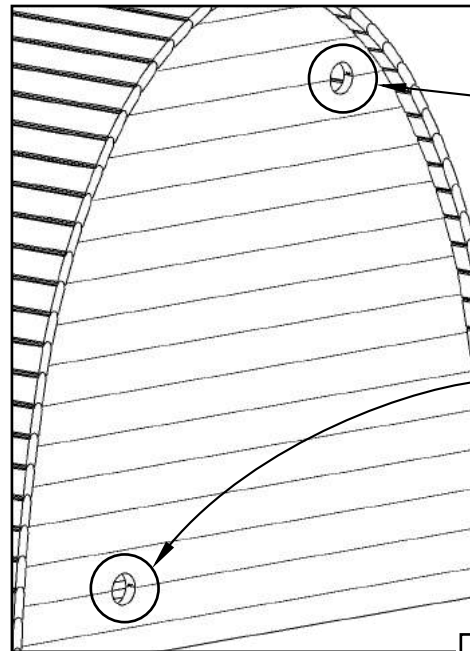
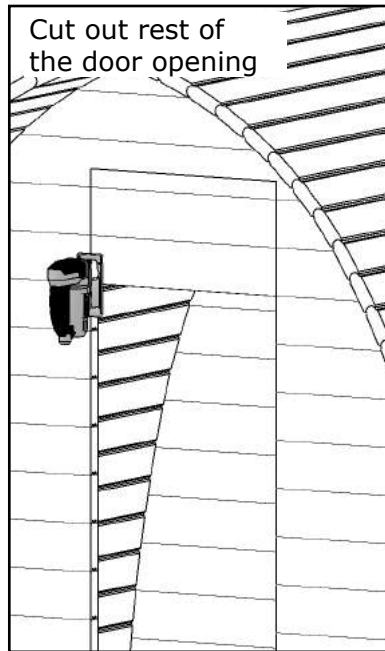
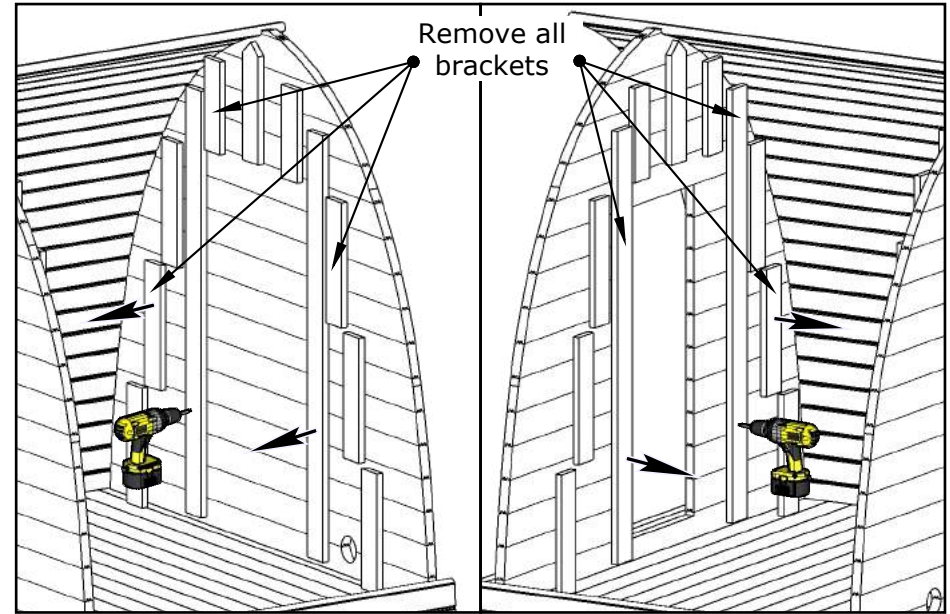
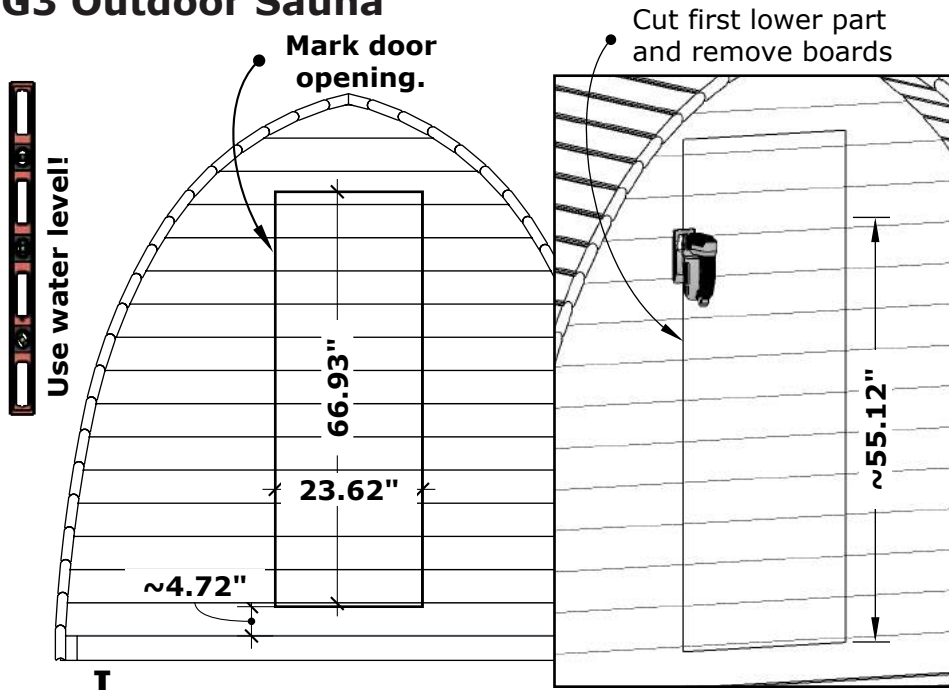
# G3 Outdoor Sauna



6.



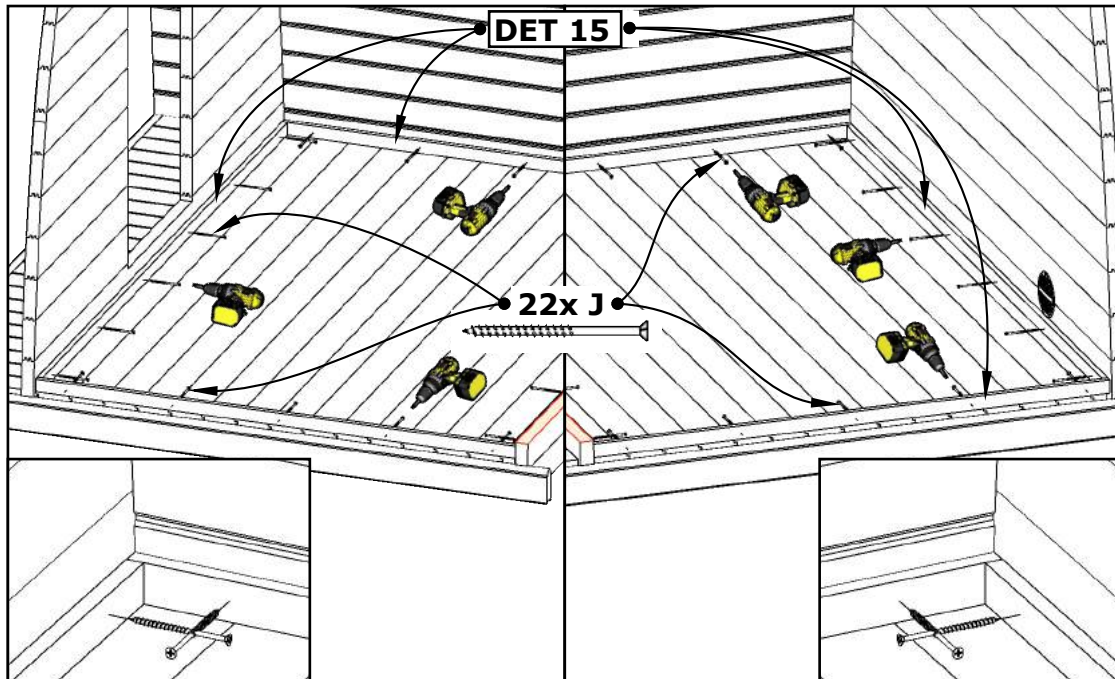
# G3 Outdoor Sauna



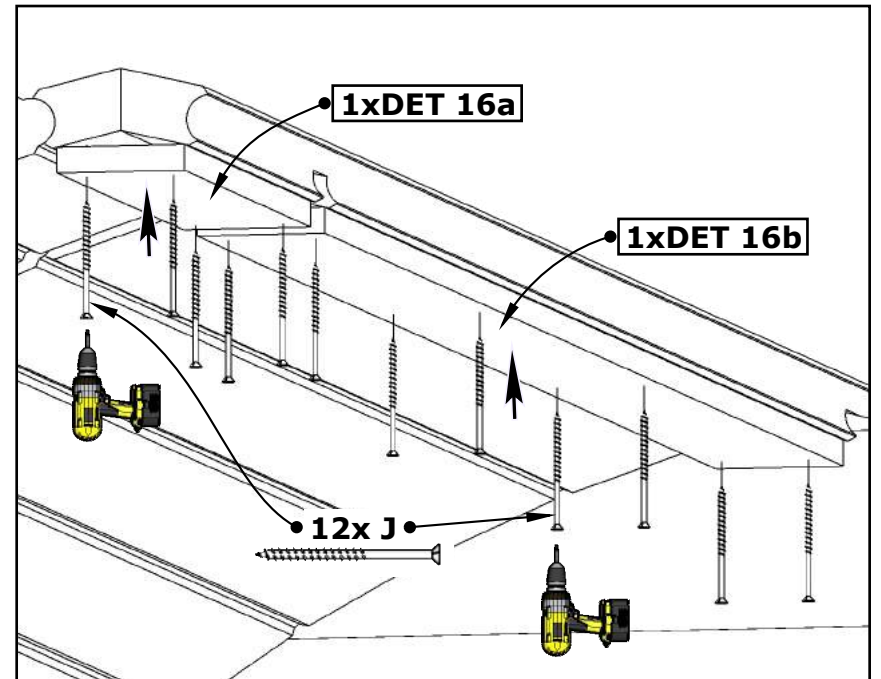
7.

# G3 Outdoor Sauna

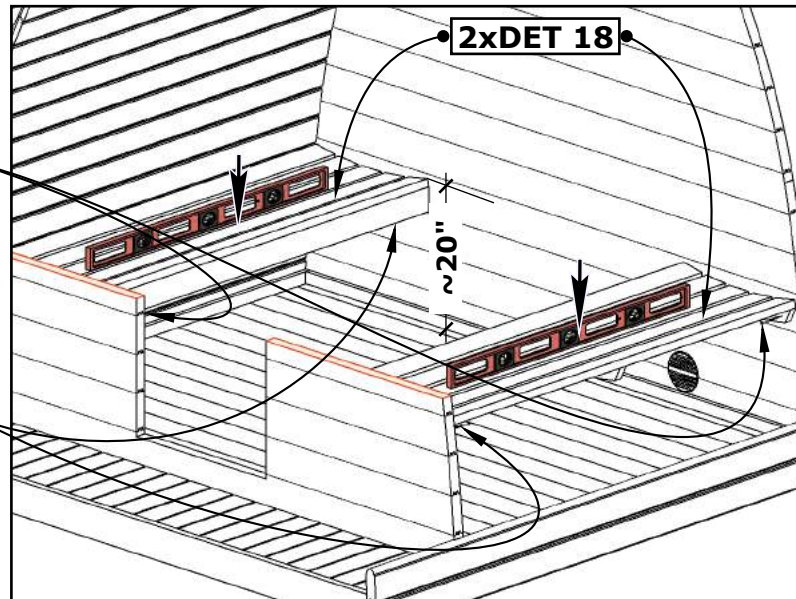
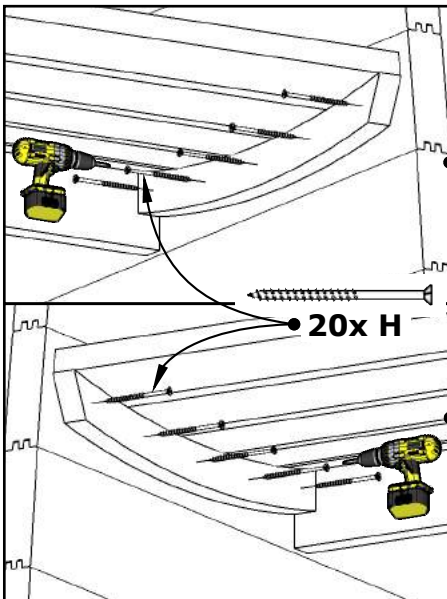
Cut floor slats from DET 15



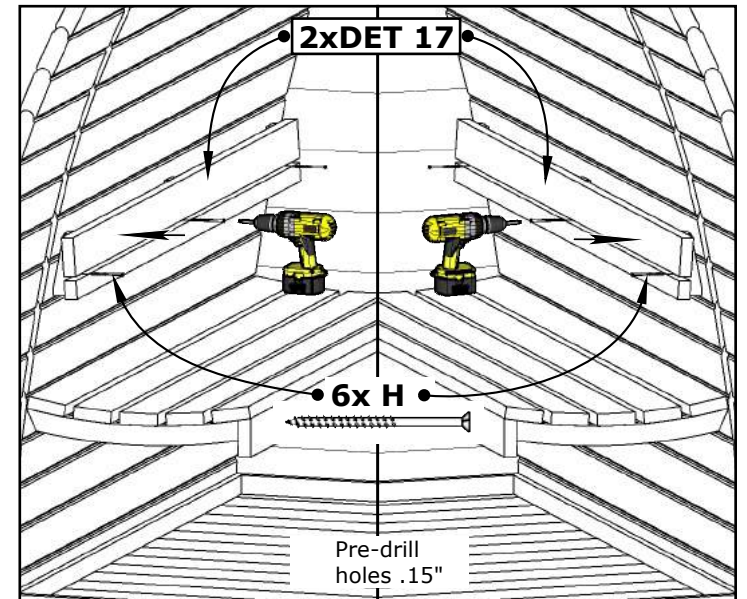
I



II



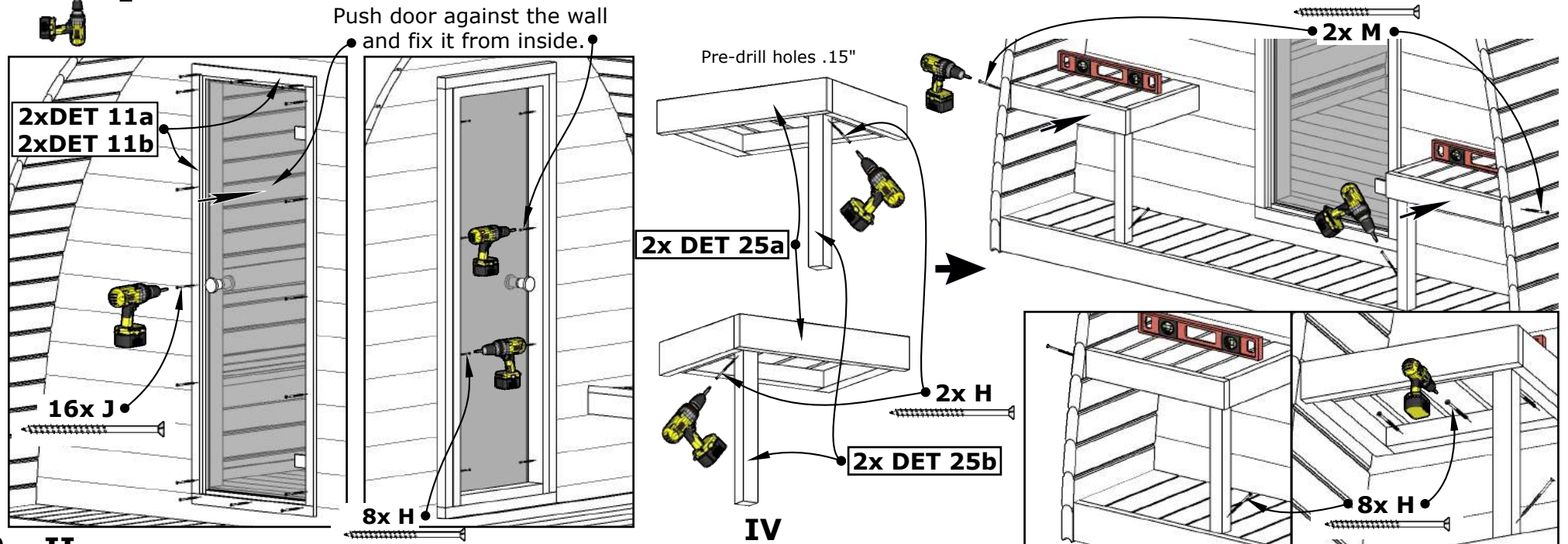
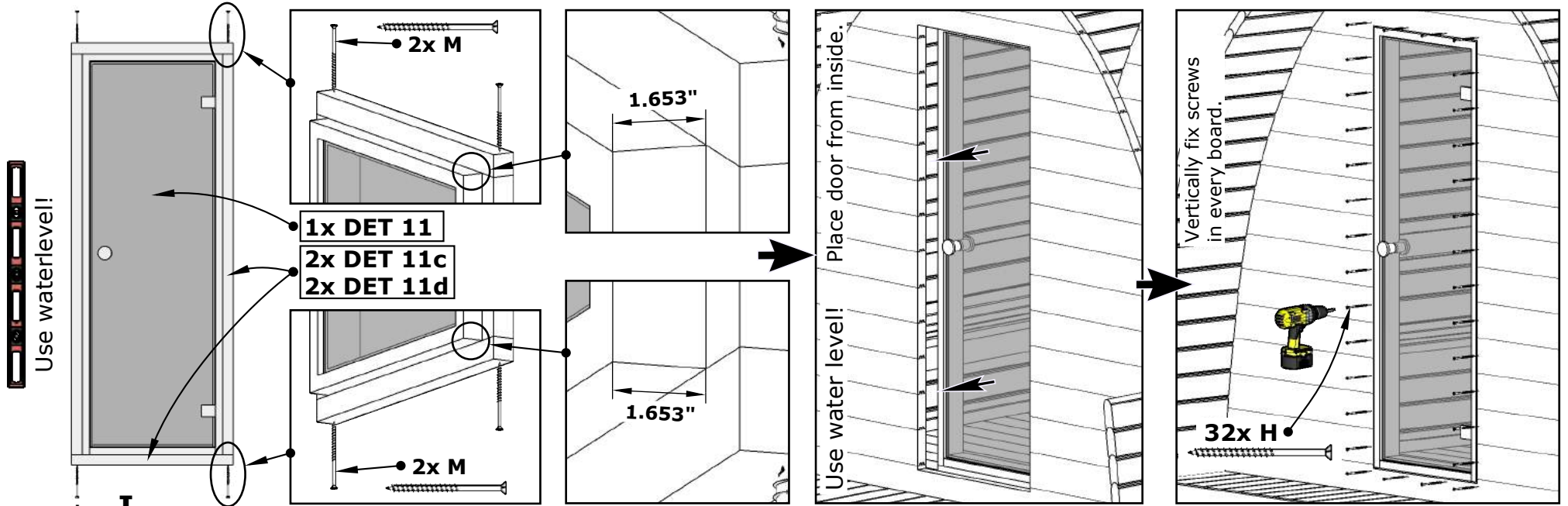
III



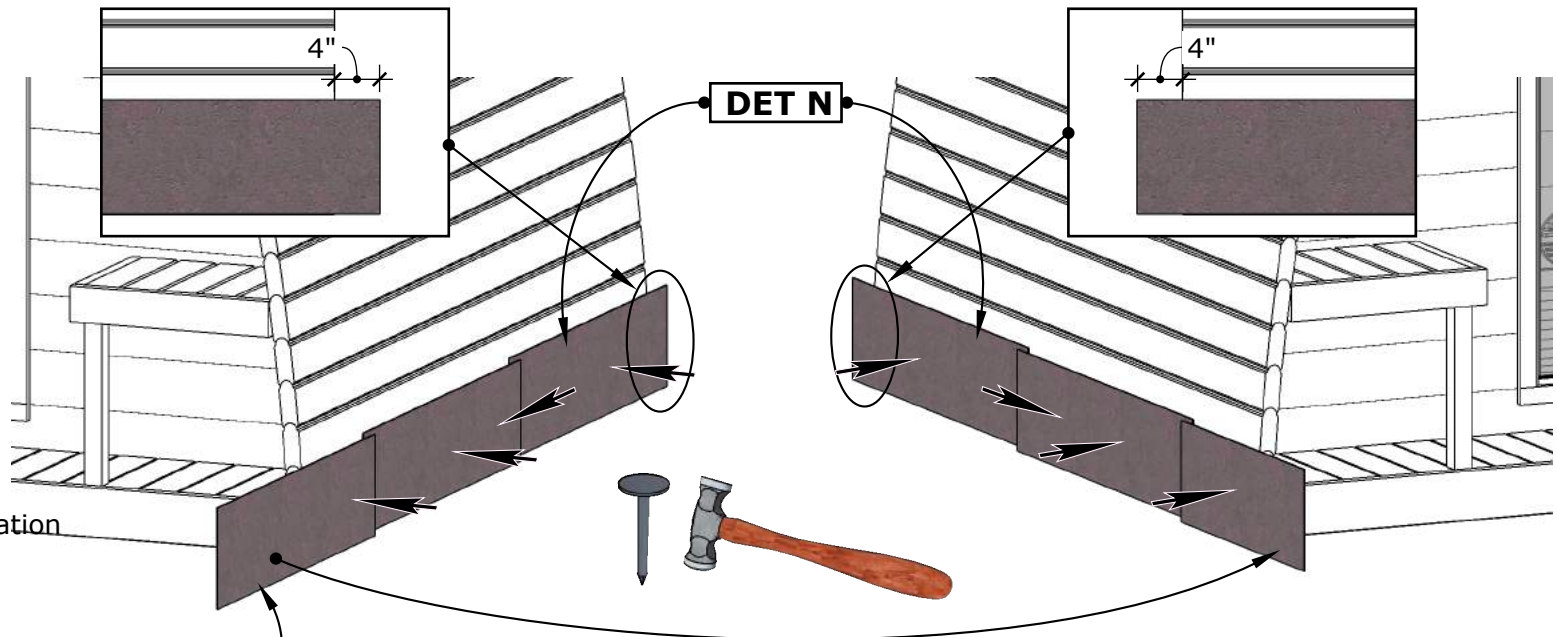
IV

8.

# G3 Outdoor Sauna



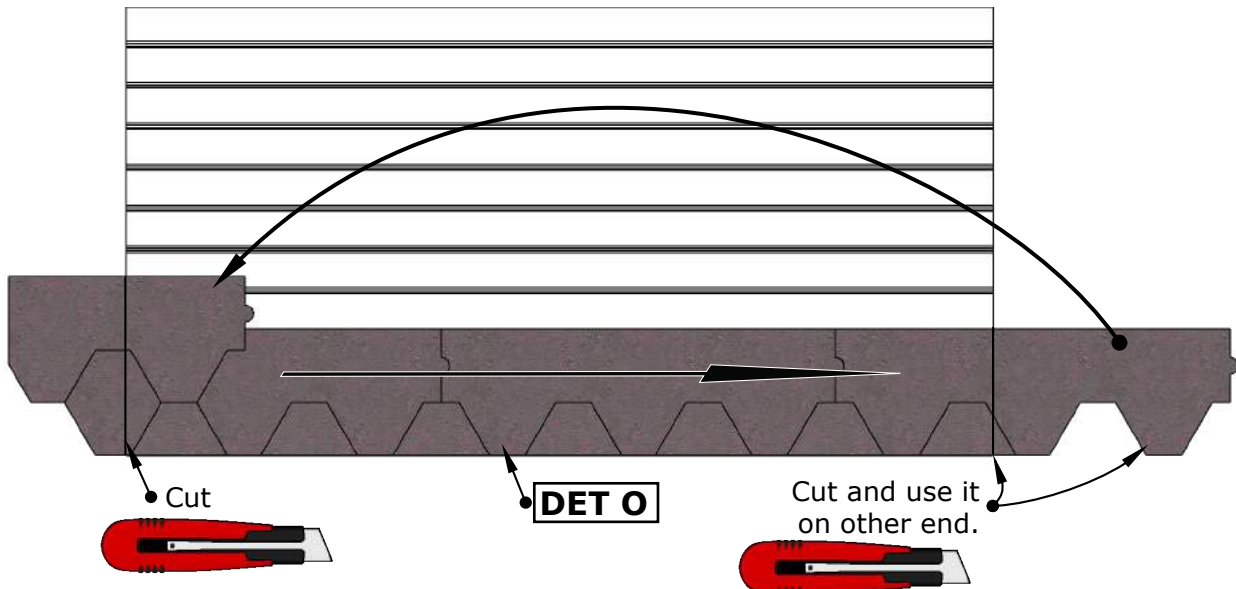
# G3 Outdoor Sauna



Check roof shingles installation manual inside package.

Cut and use it on other side

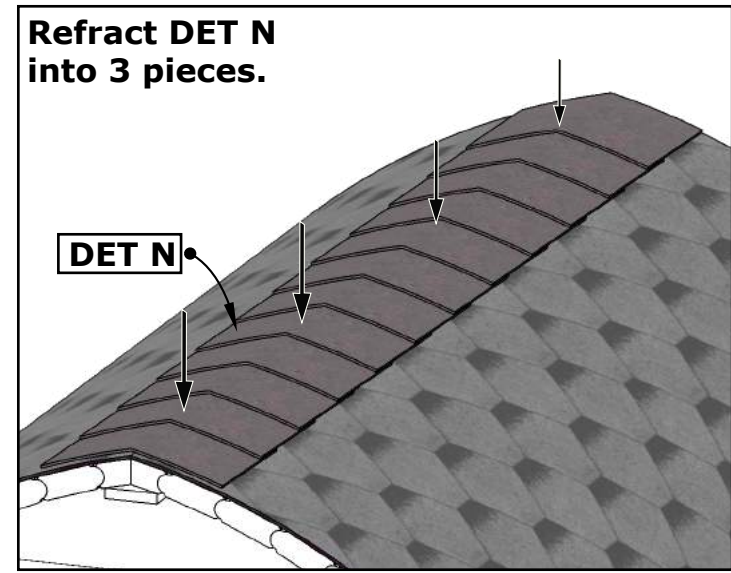
**I**



Cut

**DET O**

Cut and use it on other end.



Refract DET N into 3 pieces.

**DET N**

**III**

# G3 Outdoor Sauna

