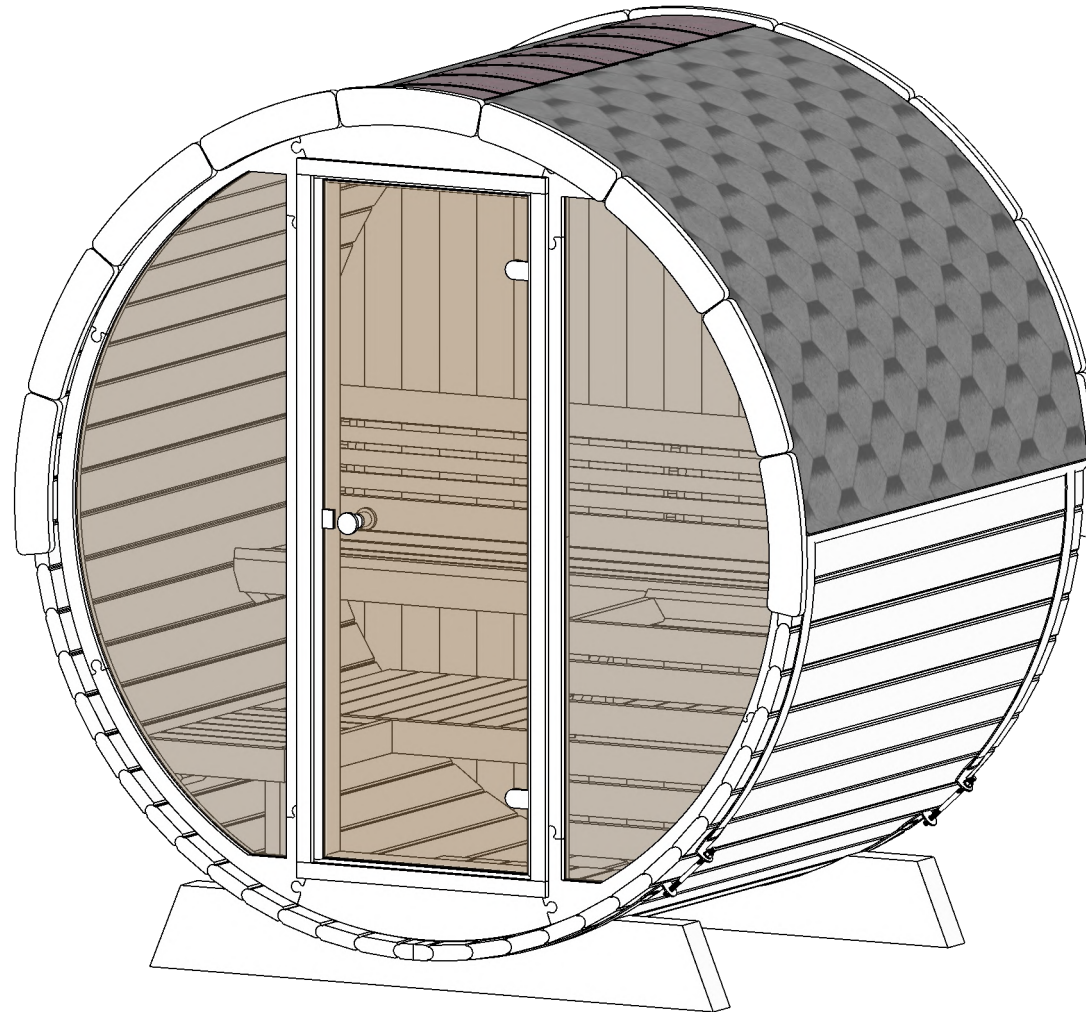




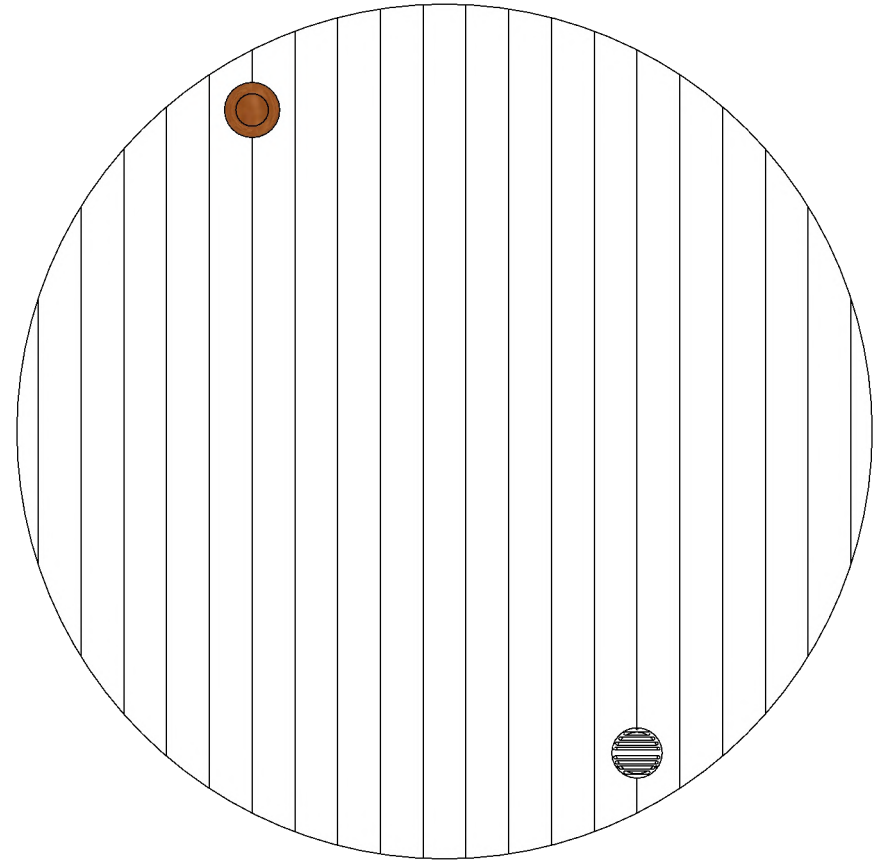
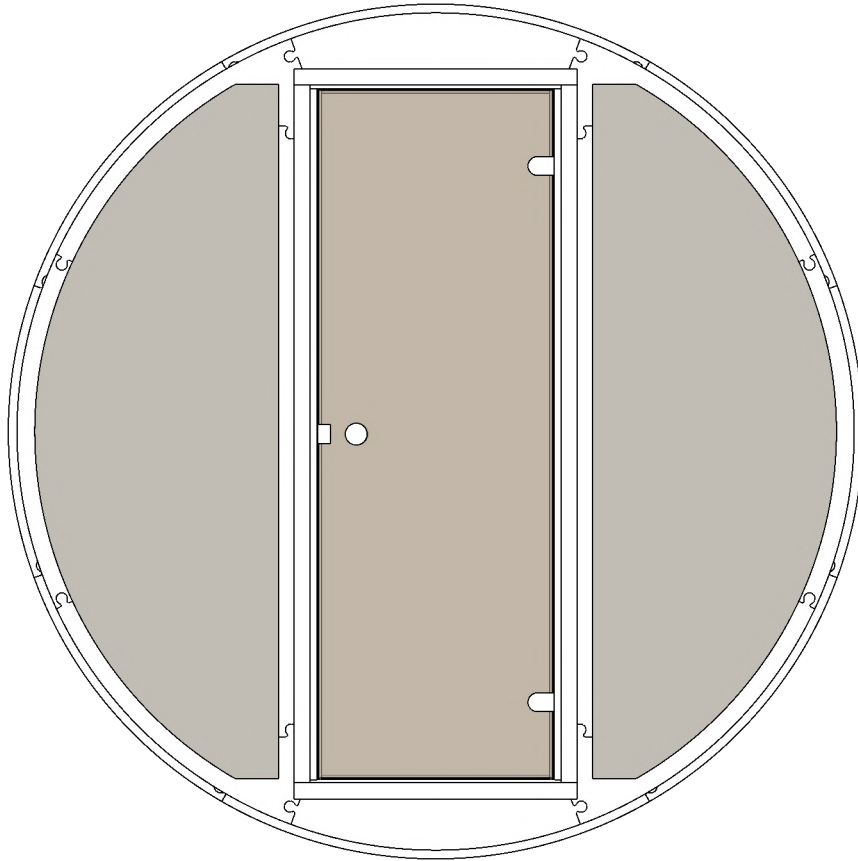
Ergo-Series EE6G Barrel Sauna
Full Glass Front 63D" x 90H"



Note: Please read manual before construction

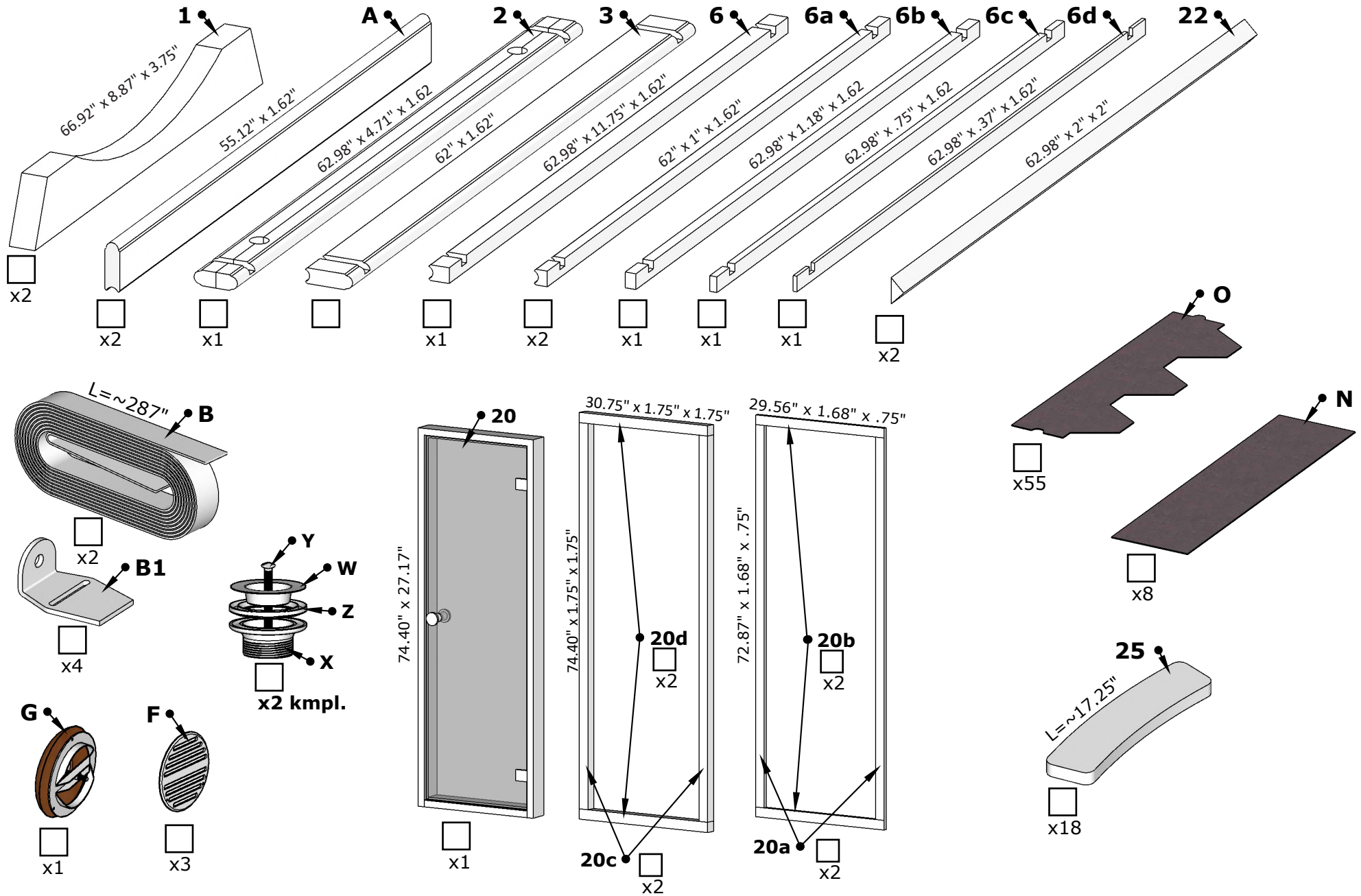
Rev: 1.0_9/2023

Front & Back Walls



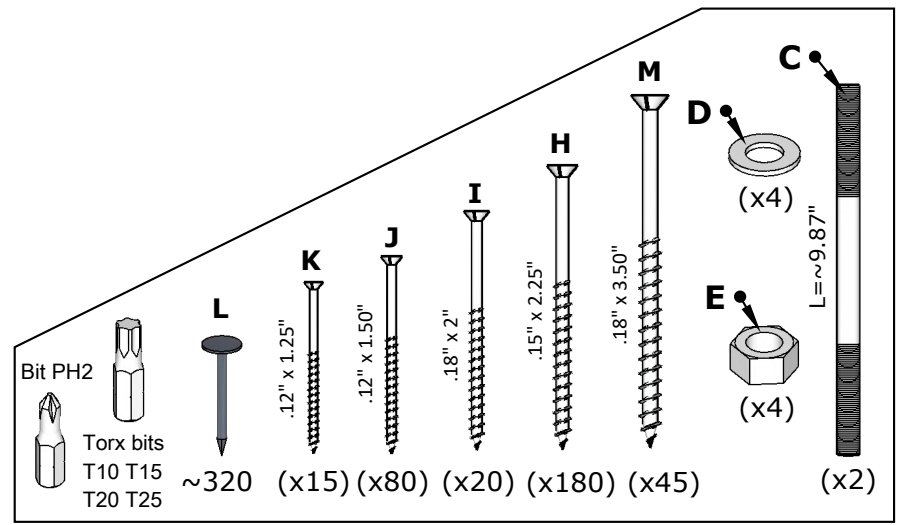
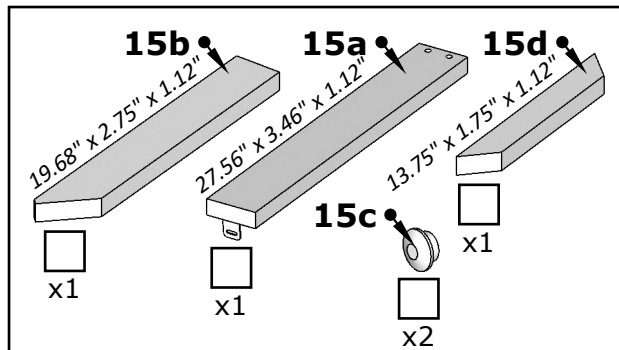
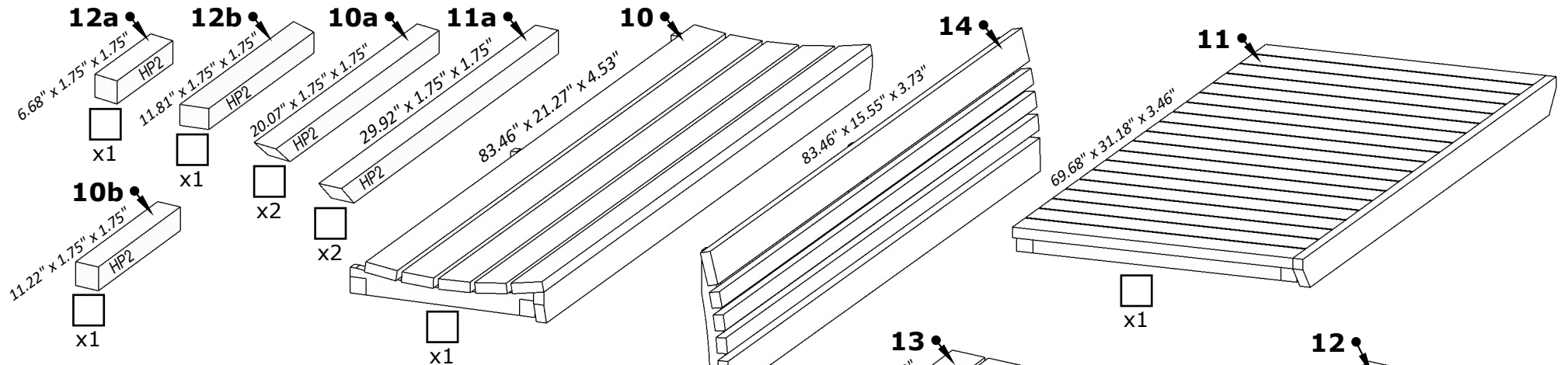
EE6G Barrel Sauna 63D" x 90H"

Details list 1.

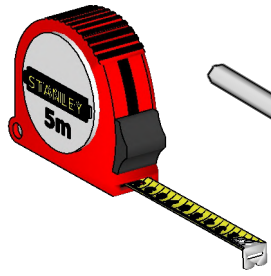


EE6G Barrel Sauna 63D" x 90H"

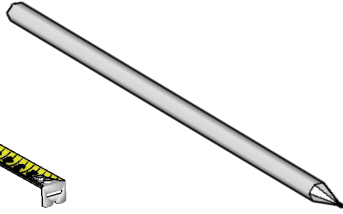
Details list 2.



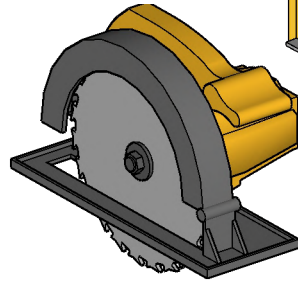
Tools needed



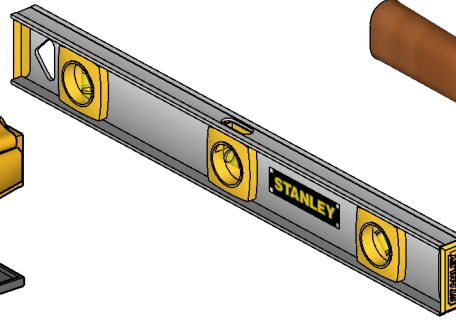
Measuring tape



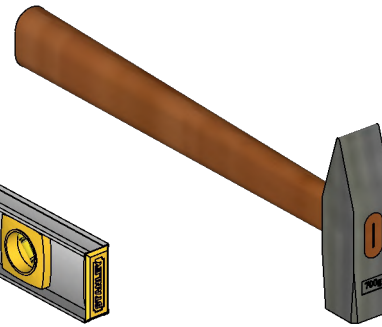
Marker pen



Circular saw



Water level



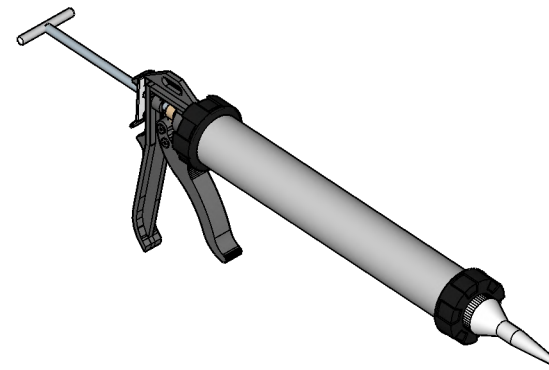
Hammer



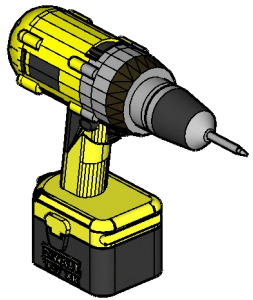
Extra hands



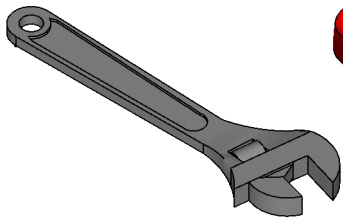
Ratchet strap



Silicone gun
(Only glass-wall models)



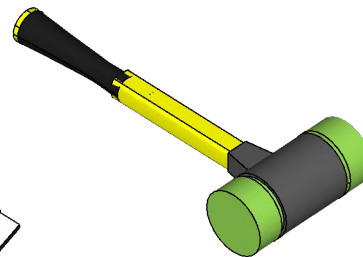
Drill



Crescent wrench

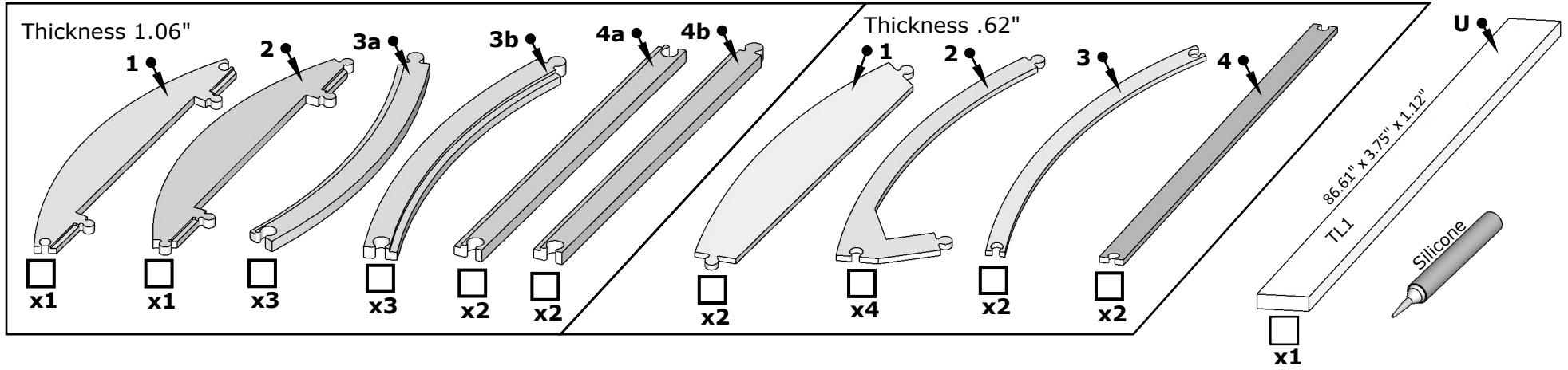


Utility knife

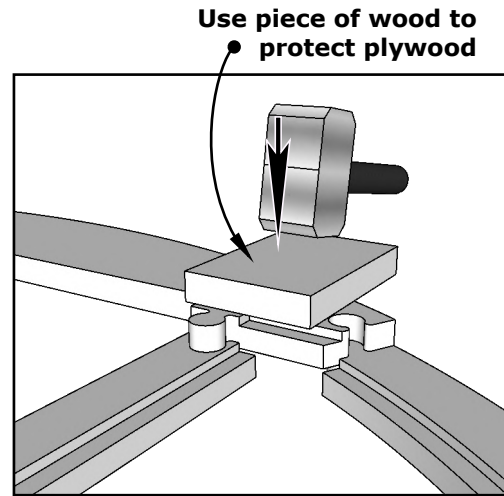
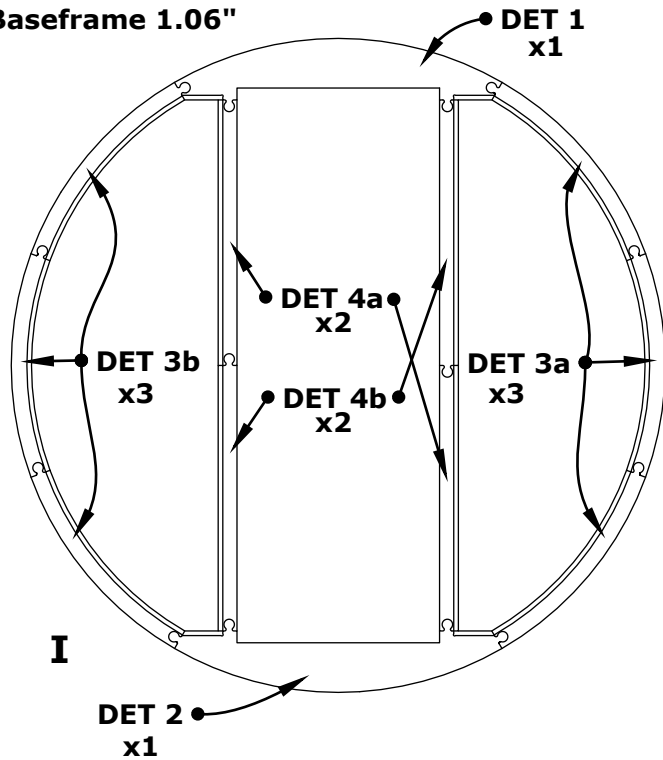


Rubber mallet

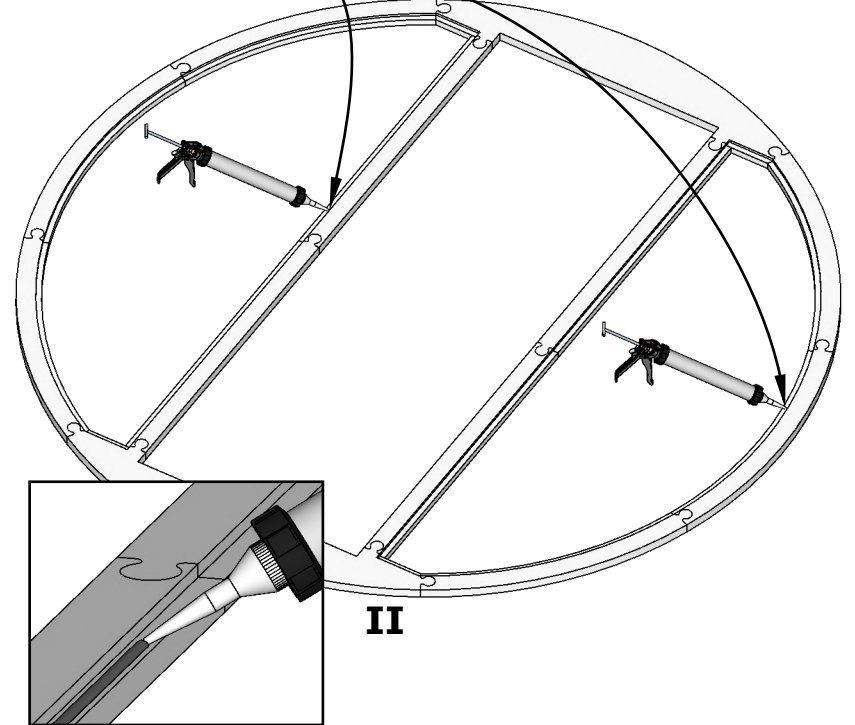
Front glass wall installation



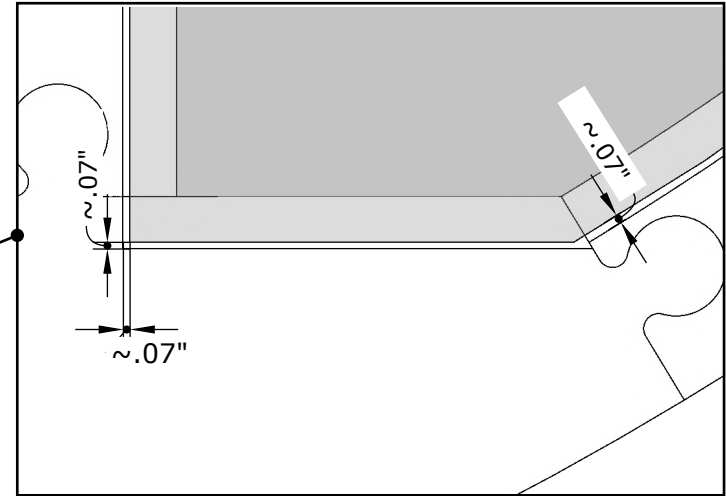
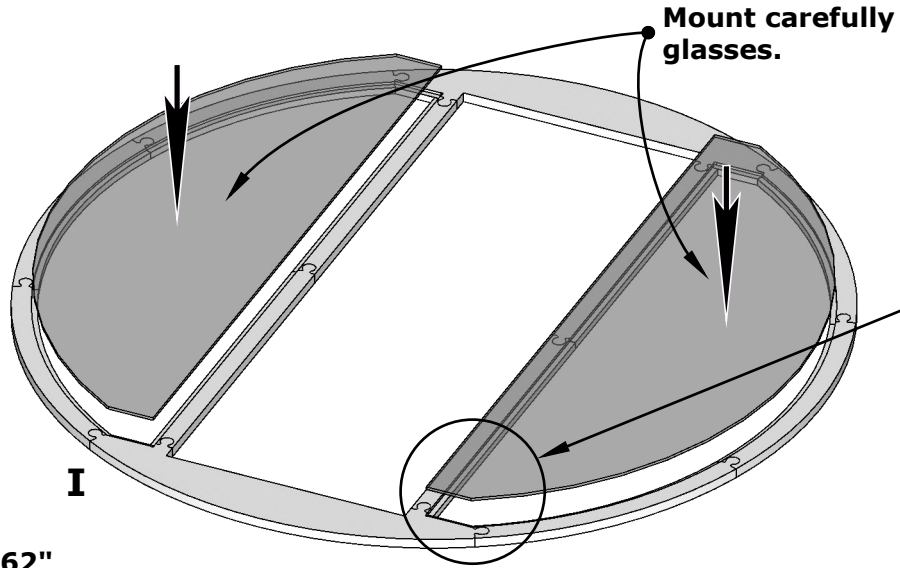
Baseframe 1.06"



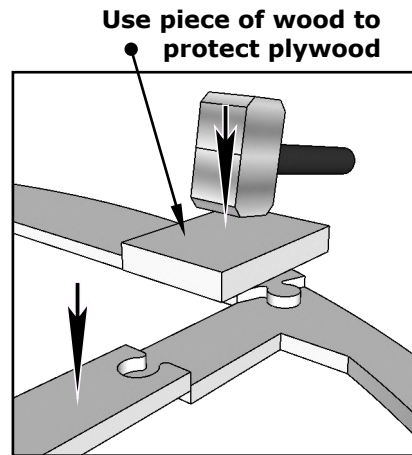
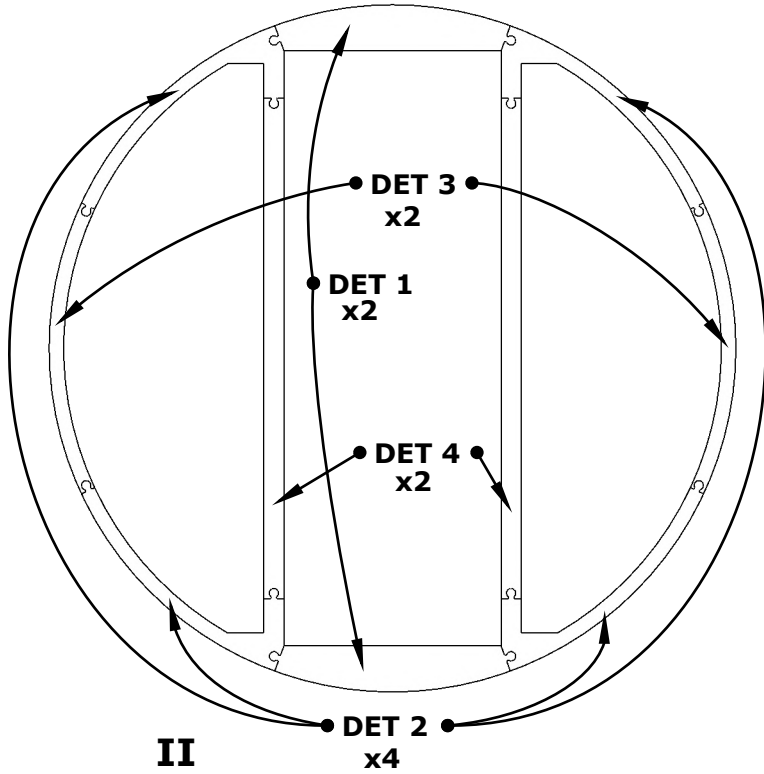
Apply waterproof silicone to the groove



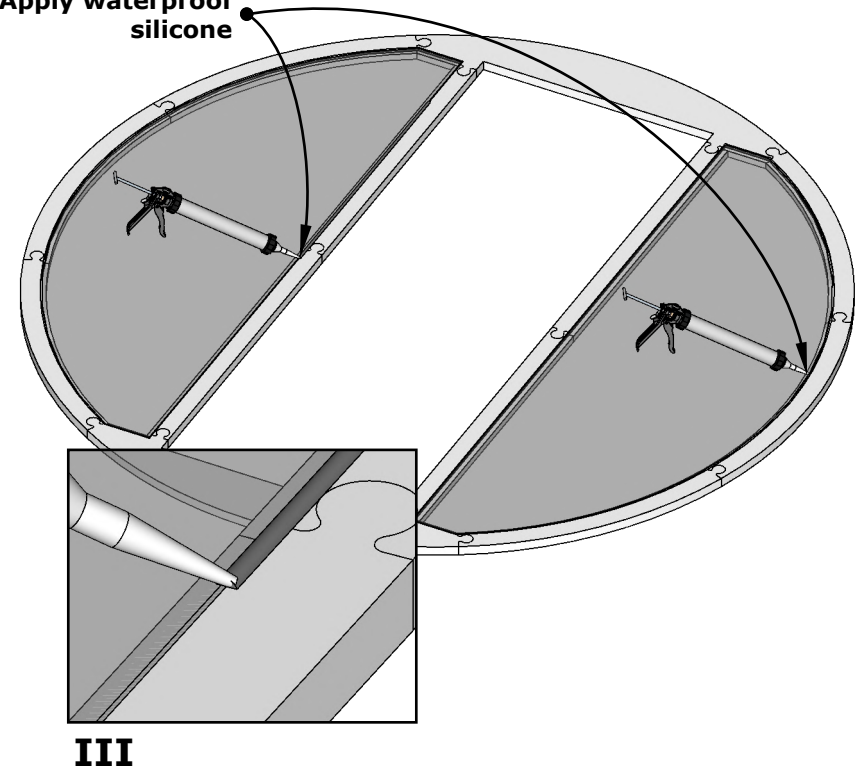
Front glass wall installation



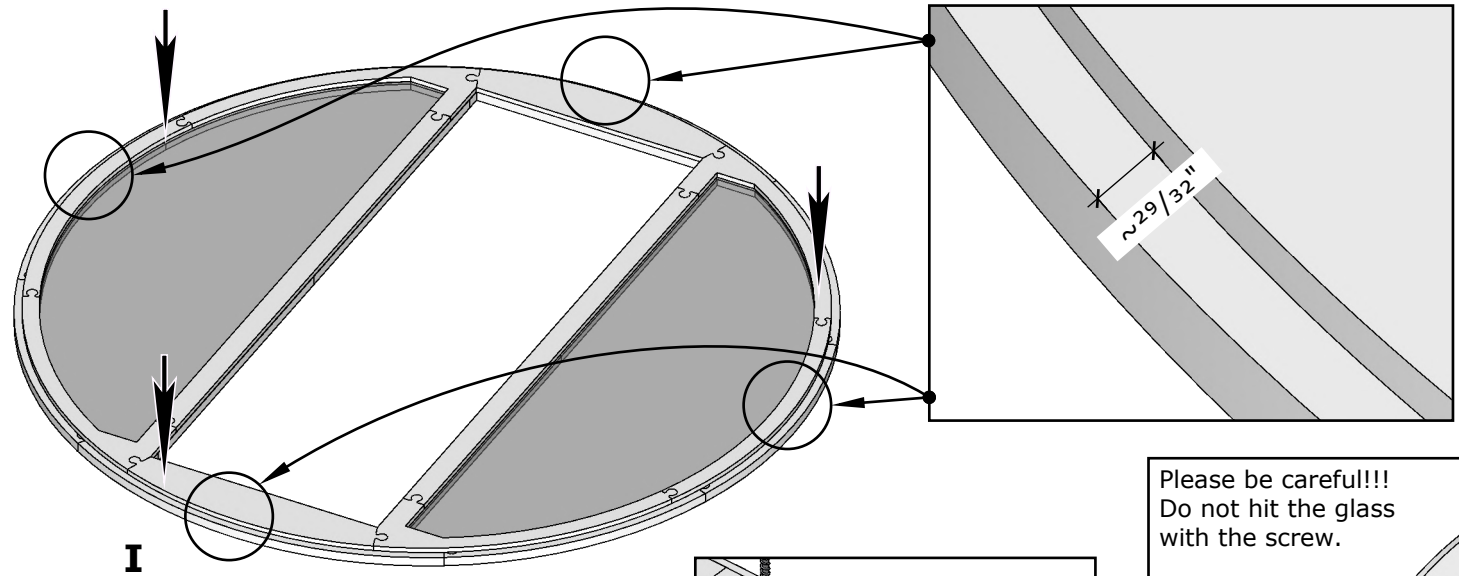
Coverframe .62"



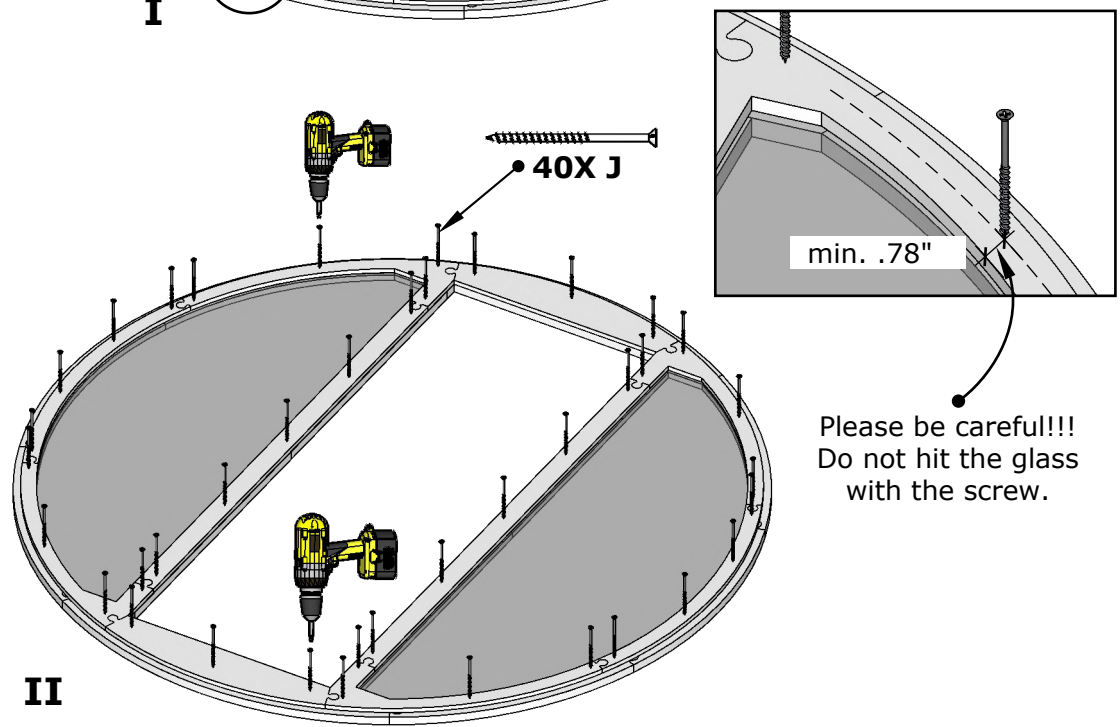
Apply waterproof silicone



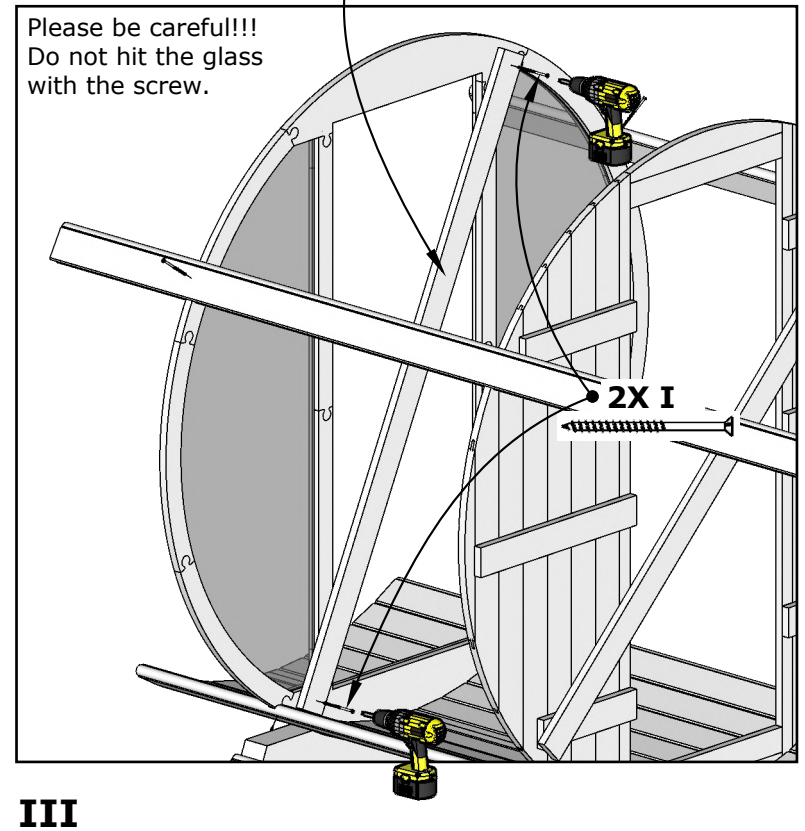
Front glass wall installation



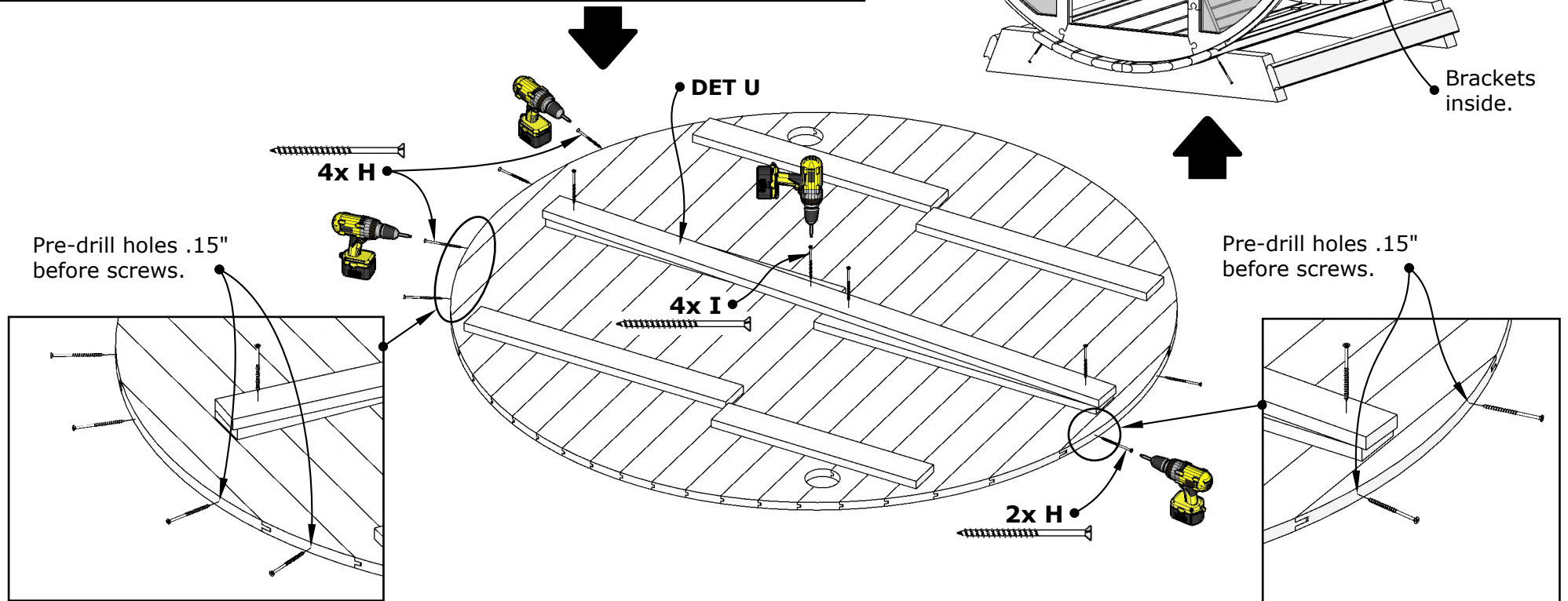
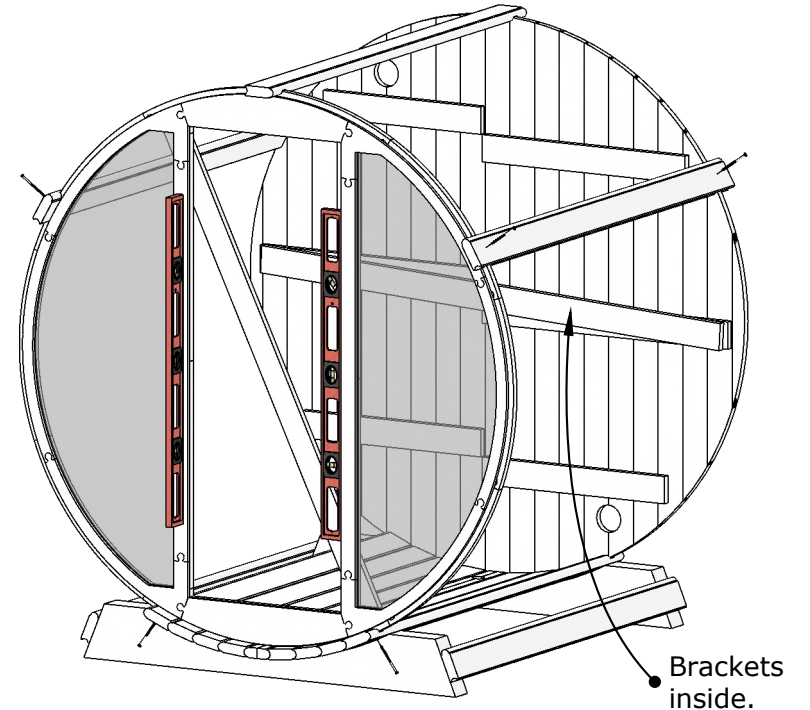
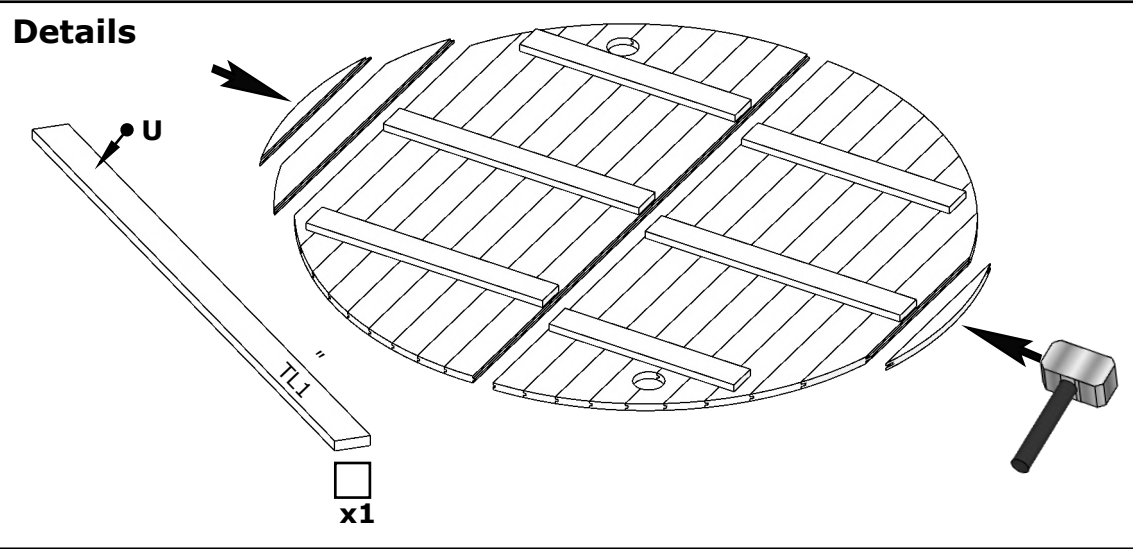
DET U
• Fix it diagonally to make wall more rigid during the installation.

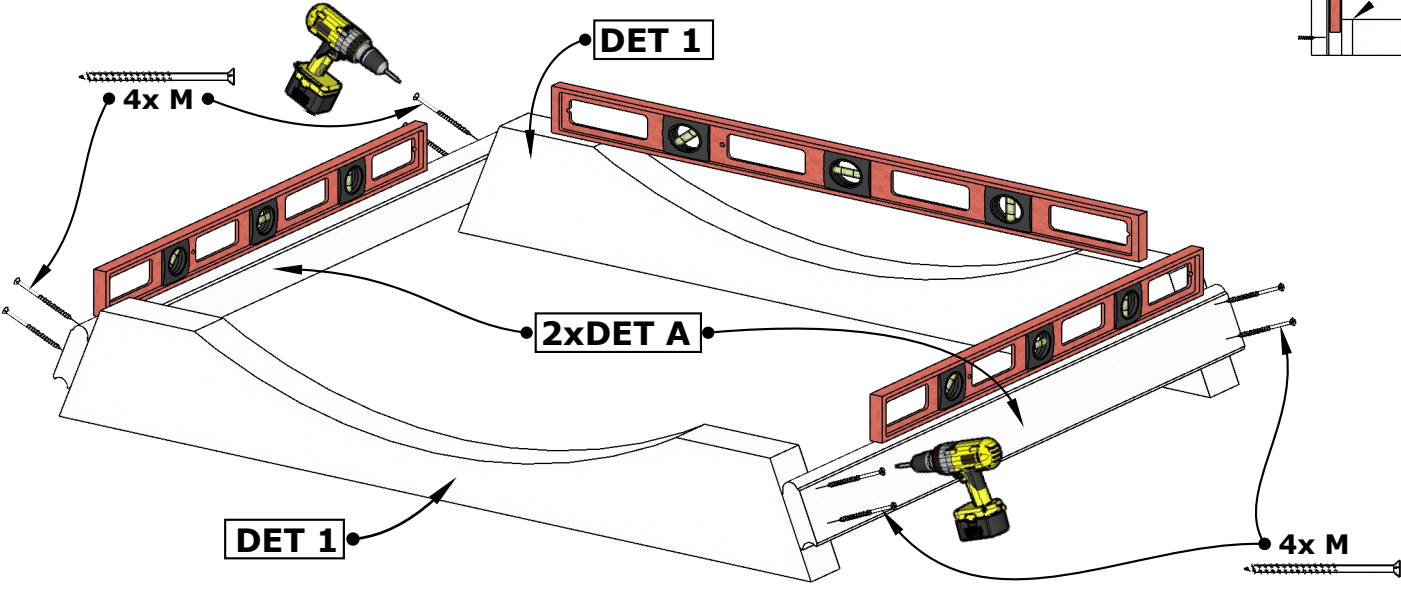
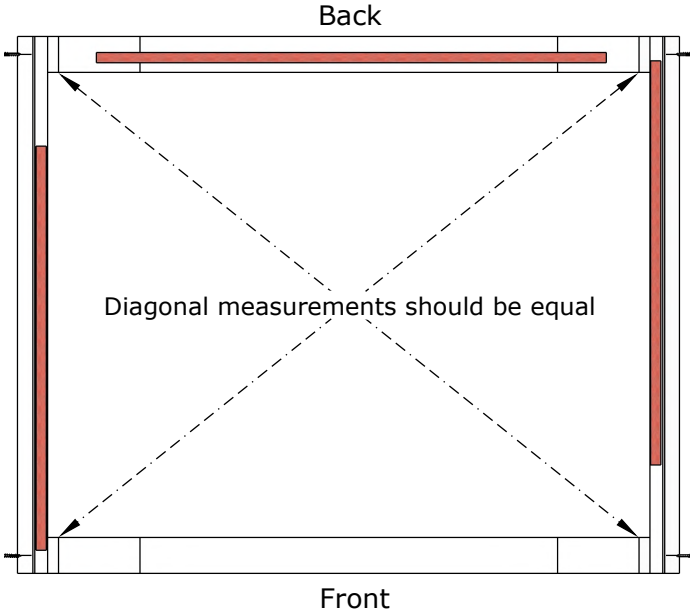


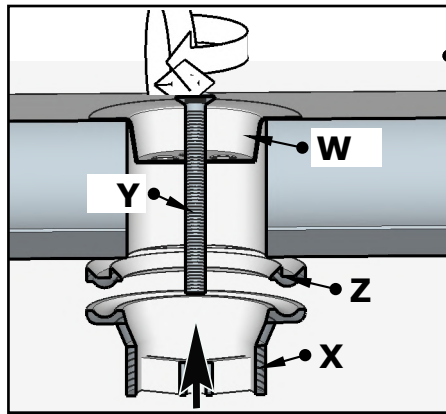
Please be careful!!!
Do not hit the glass with the screw.



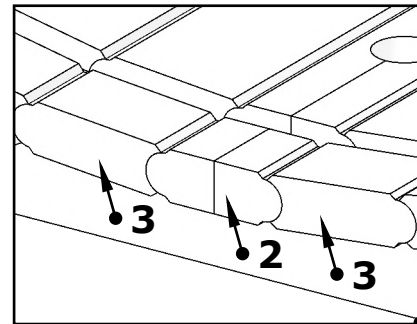
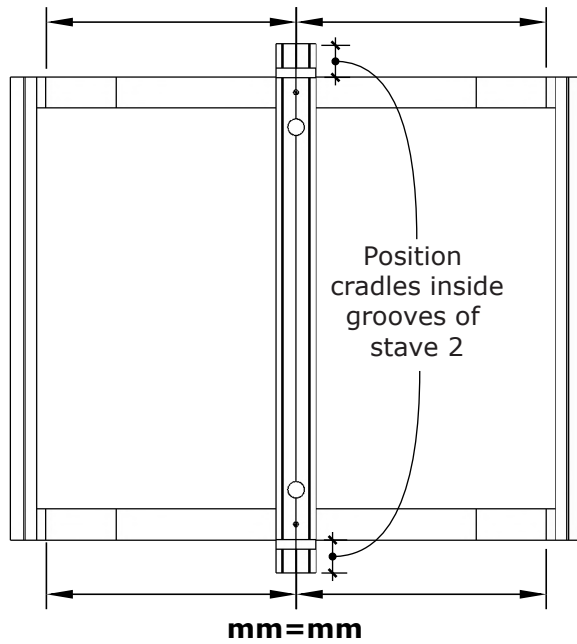
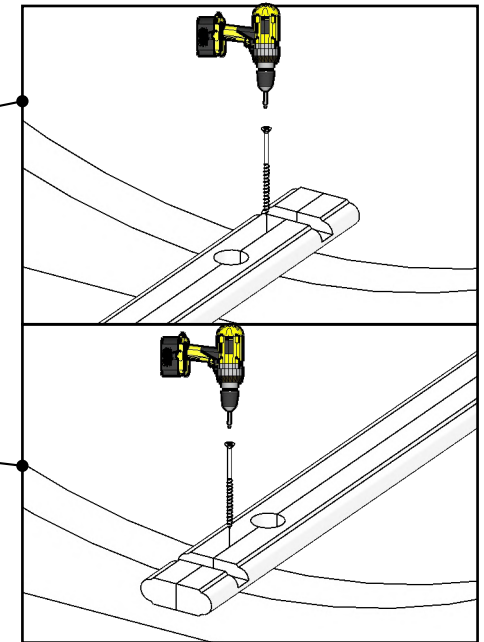
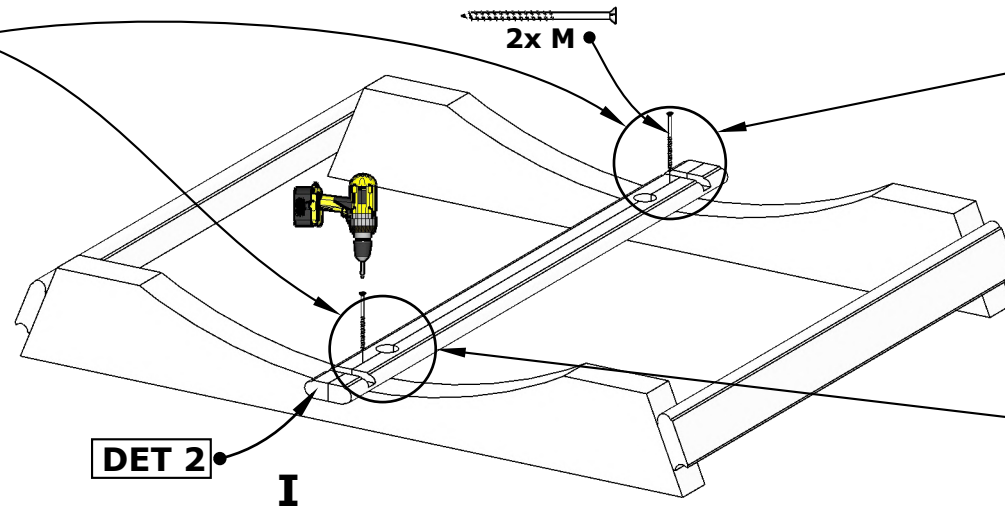
Wooden back wall assembly



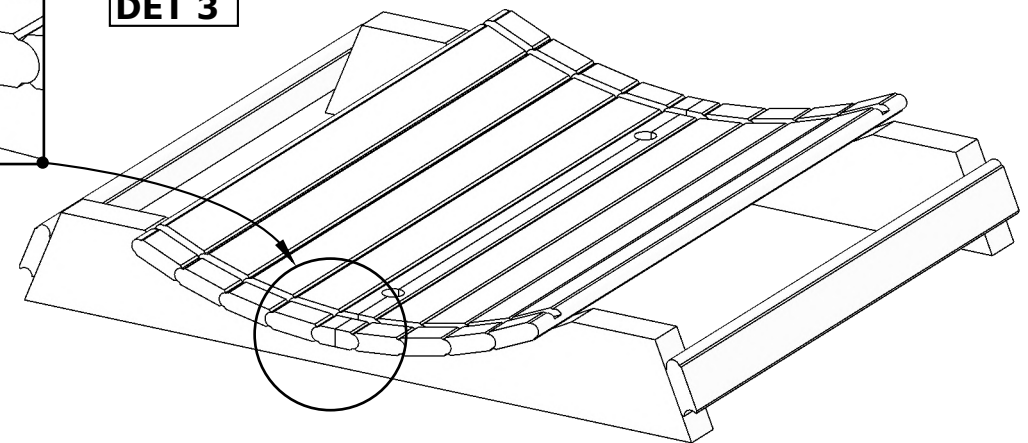




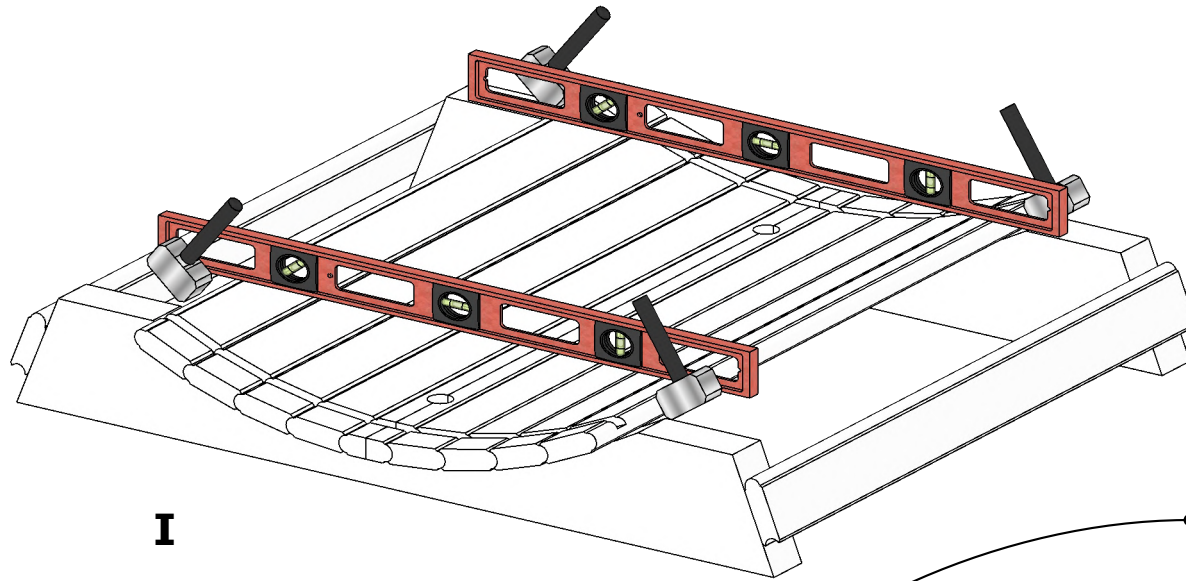
Center stave 2 on cradle 1



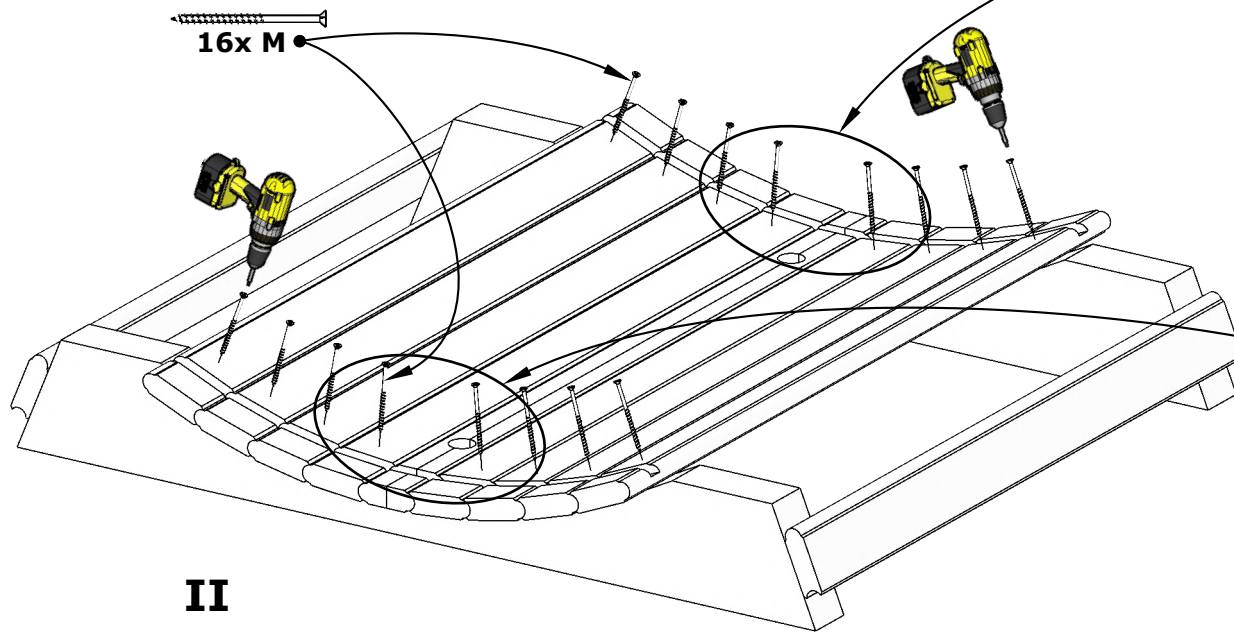
DET 3



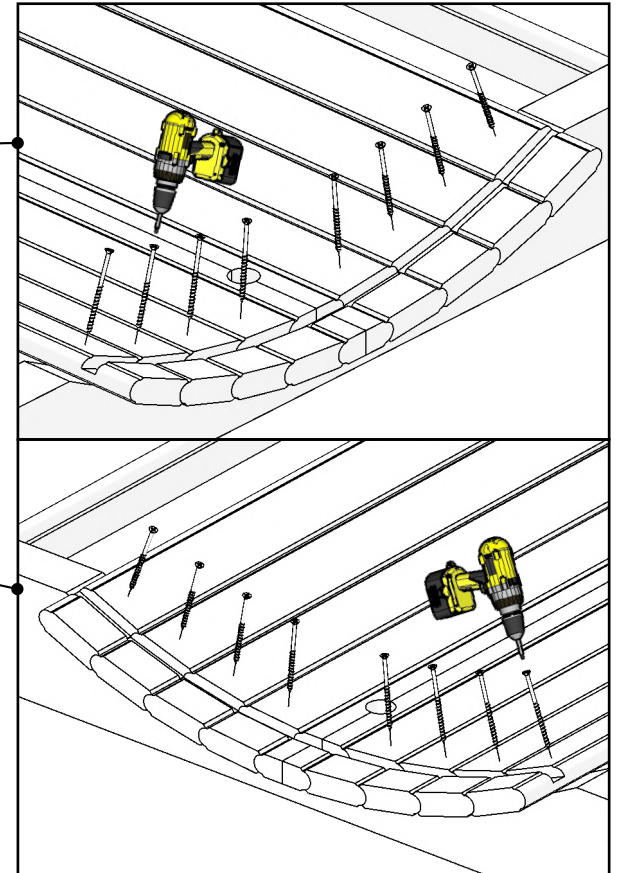
II



I

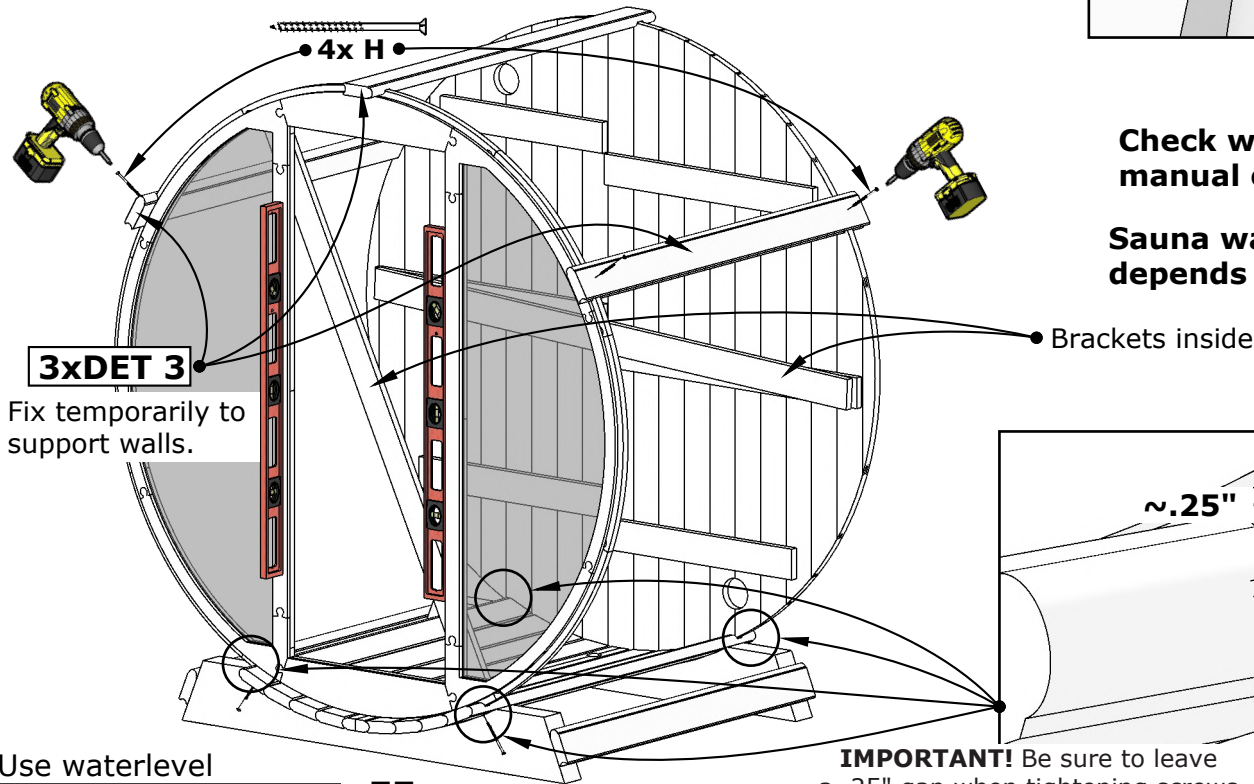
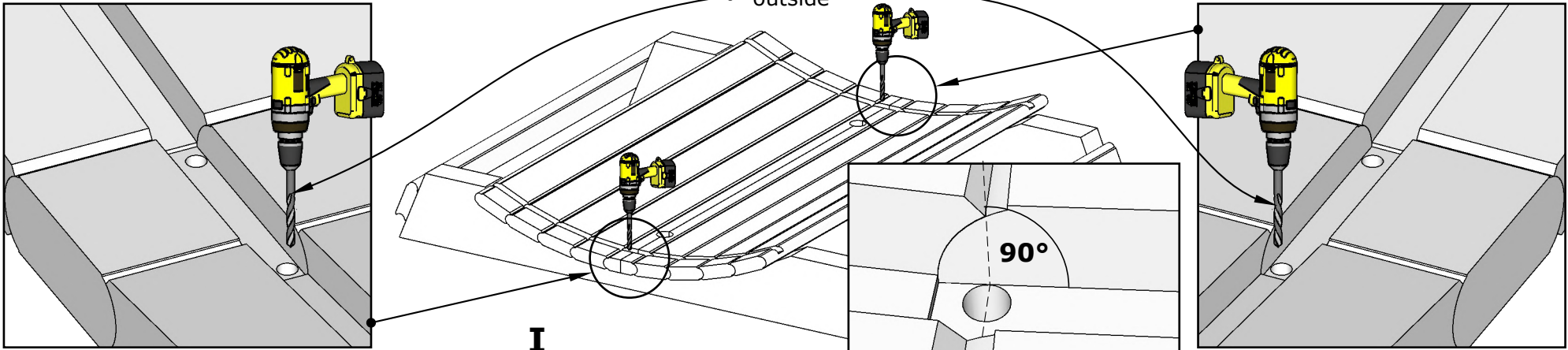


II



EE6G Barrel Sauna 63D" x 90H"

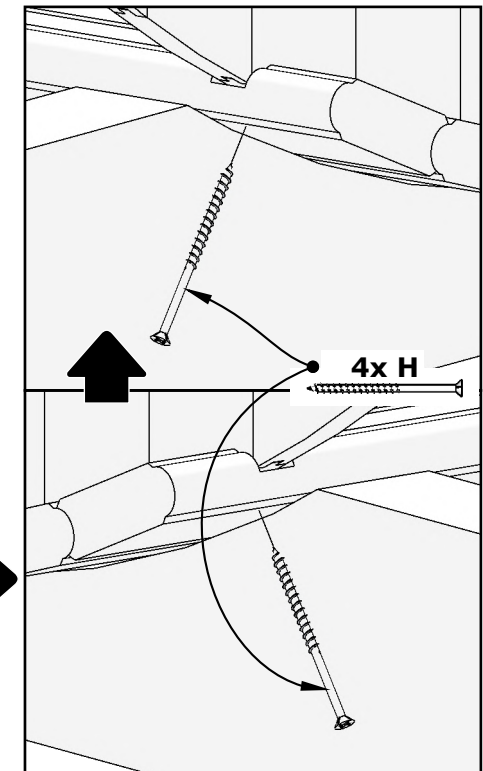
Drill 4 holes .50" through DET 2 outside



Check walls installation manual on extra pages!

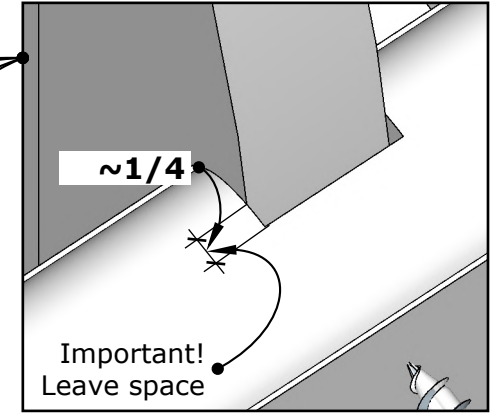
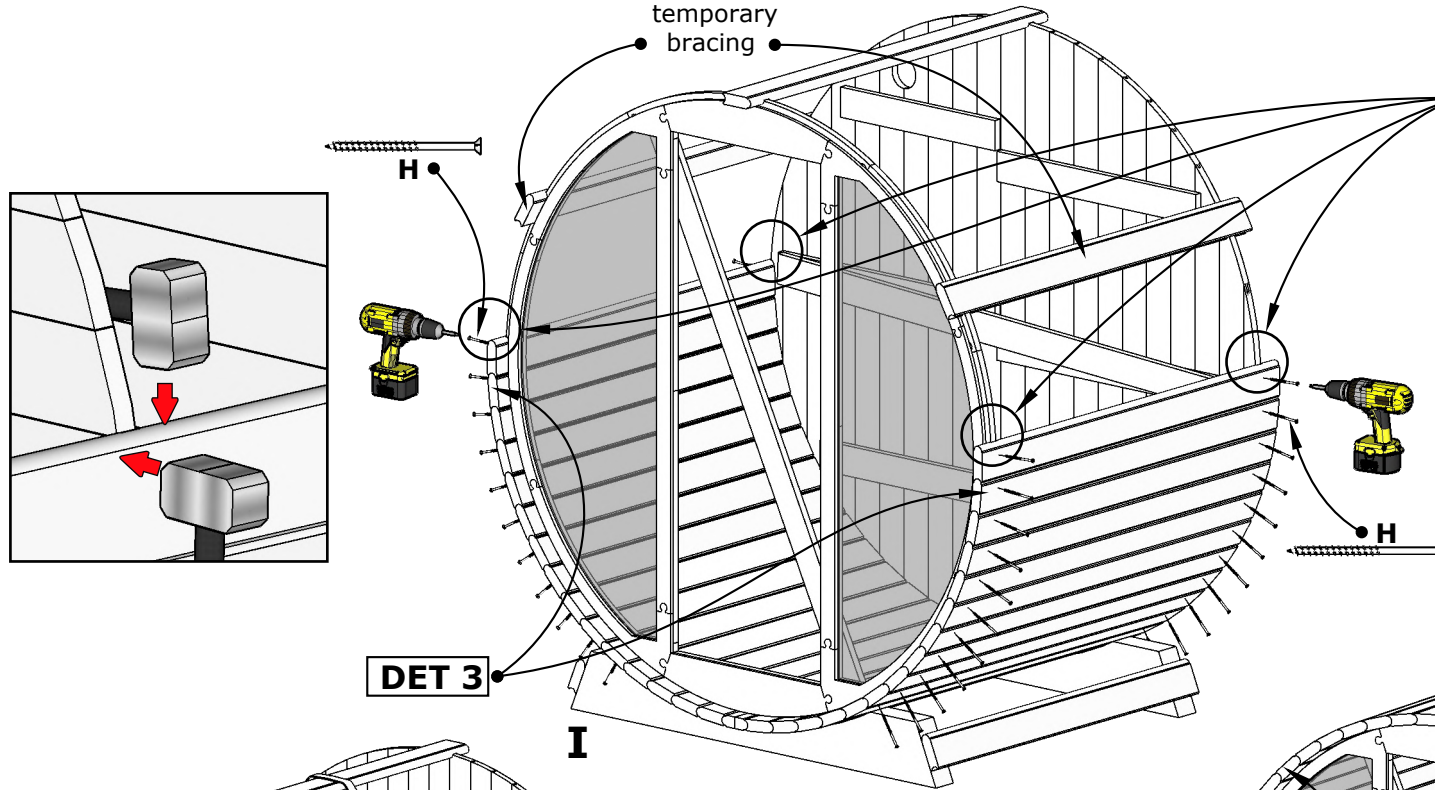
Sauna wall configuration depends on Your model!

IMPORTANT! Be sure to leave a .25" gap when tightening screws to leave room for adjustment when the outer bands (B) are installed.



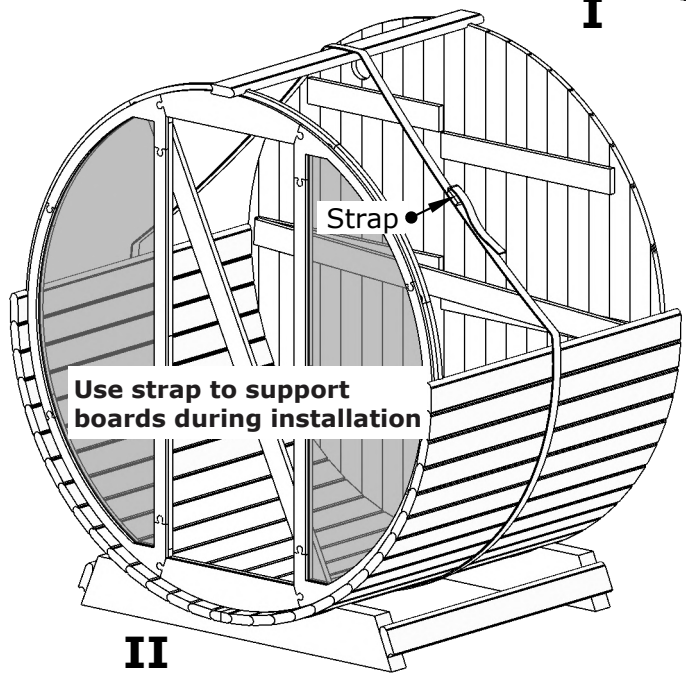
EE6G Barrel Sauna 63D" x 90H"

Remove temporary bracing

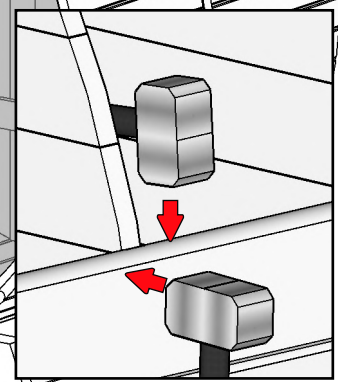
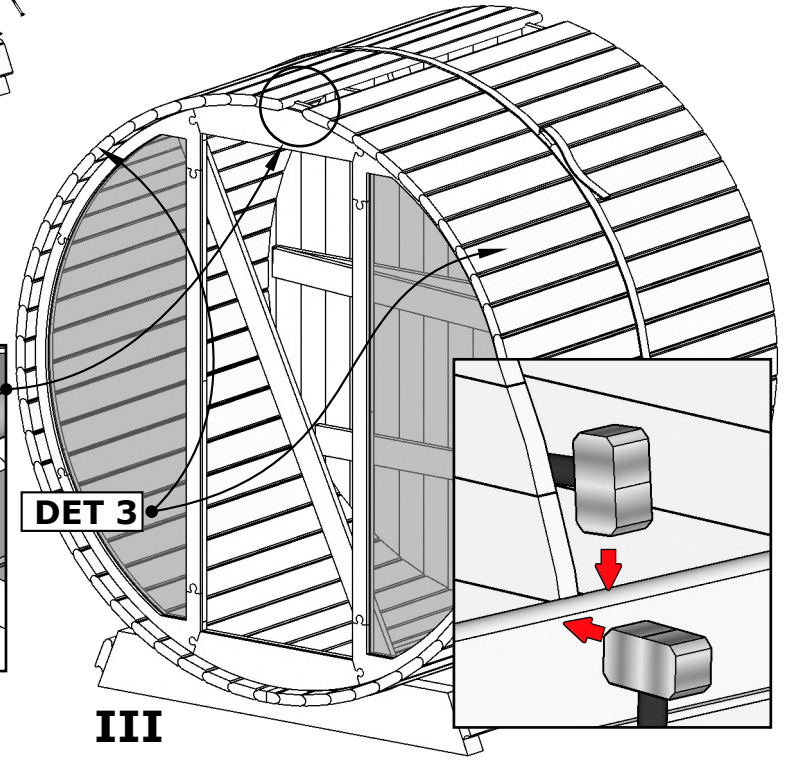
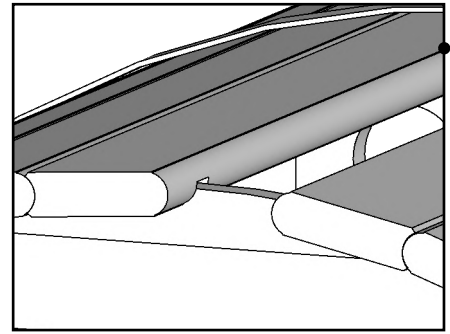


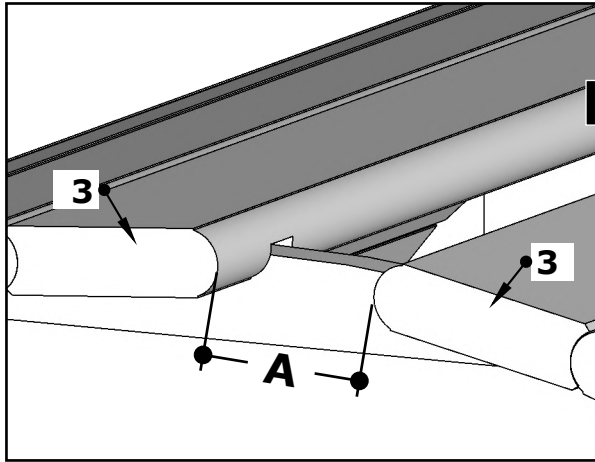
IMPORTANT! Be sure to leave a .25" gap when tightening screws to leave room for adjustment when the outer bands (B) are installed.

DET 3
I

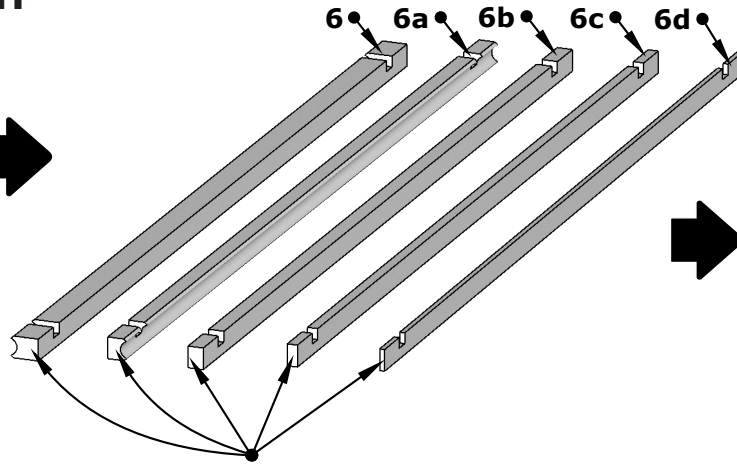


See the next page.

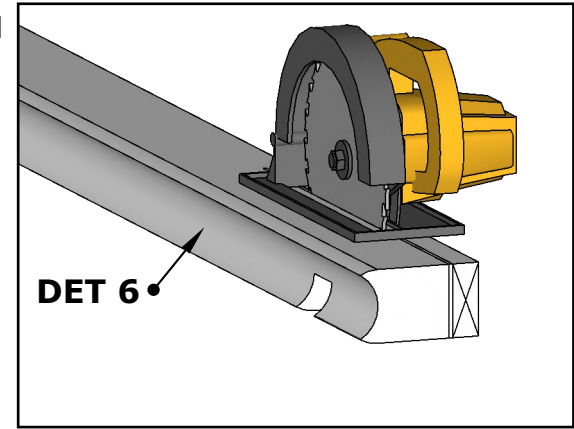




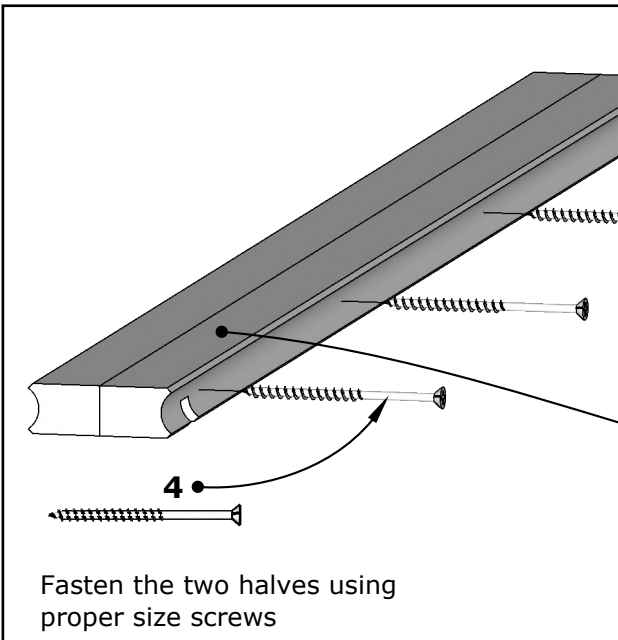
I



Join two boards together (as shown in diagram II) that will bridge the width of the "A" gap. It is recommended that the combined boards are approximately .25" wider than the gap.

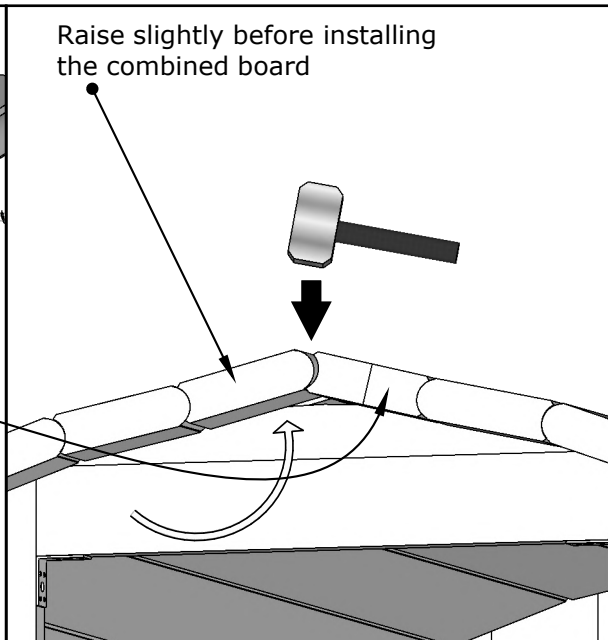


If needed, trim the flat edge of the board to create the desired width.

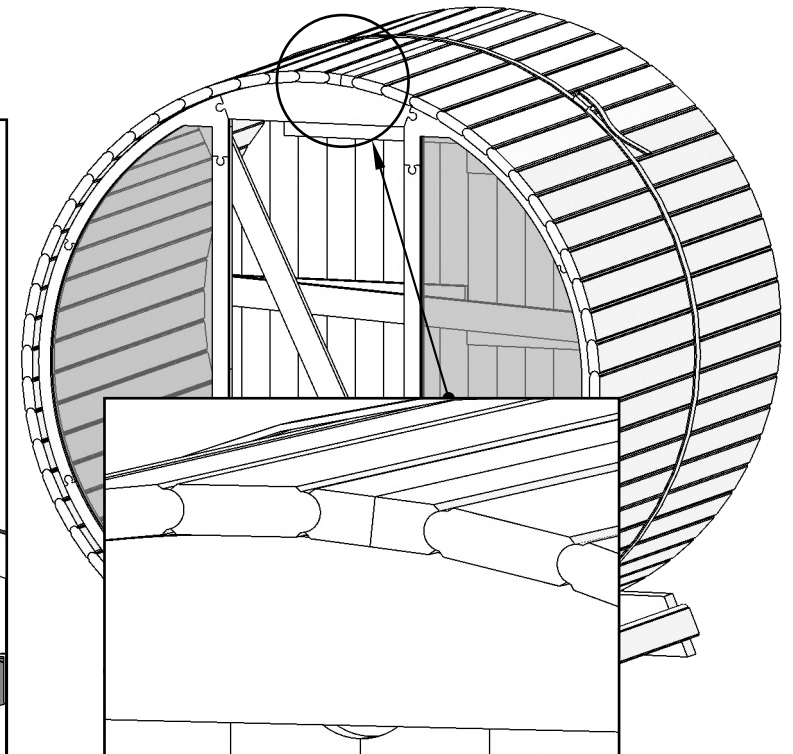


Fasten the two halves using proper size screws

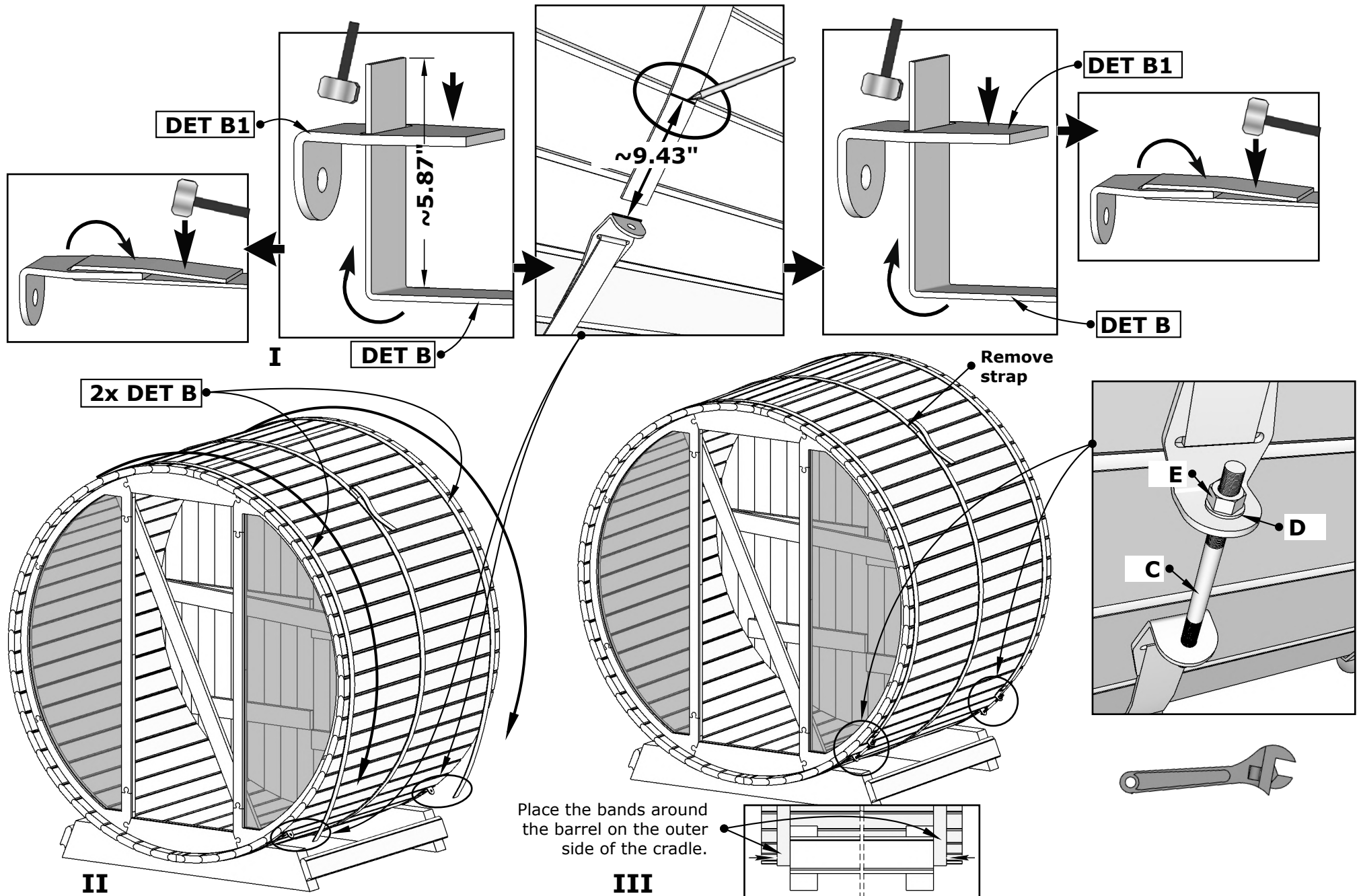
II



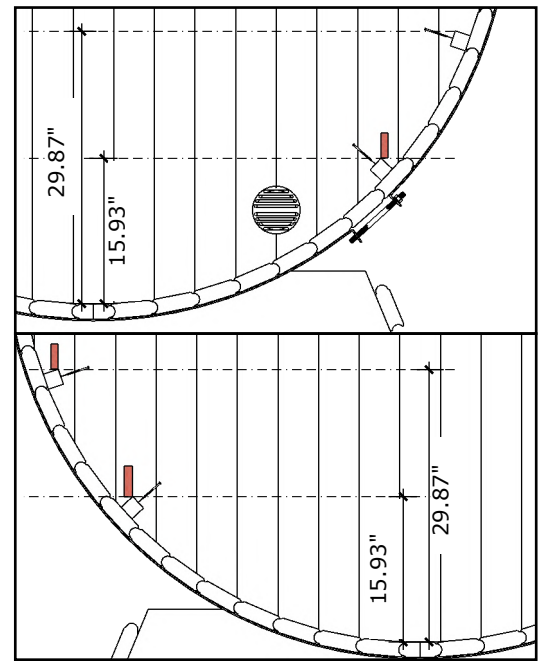
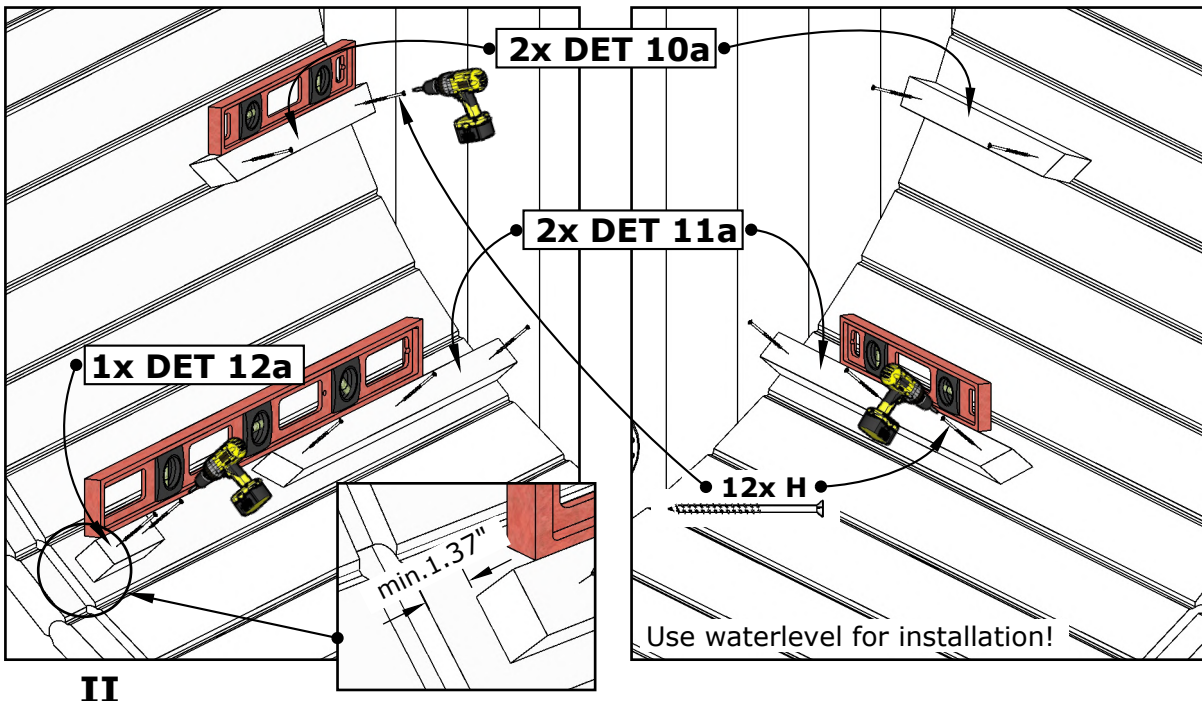
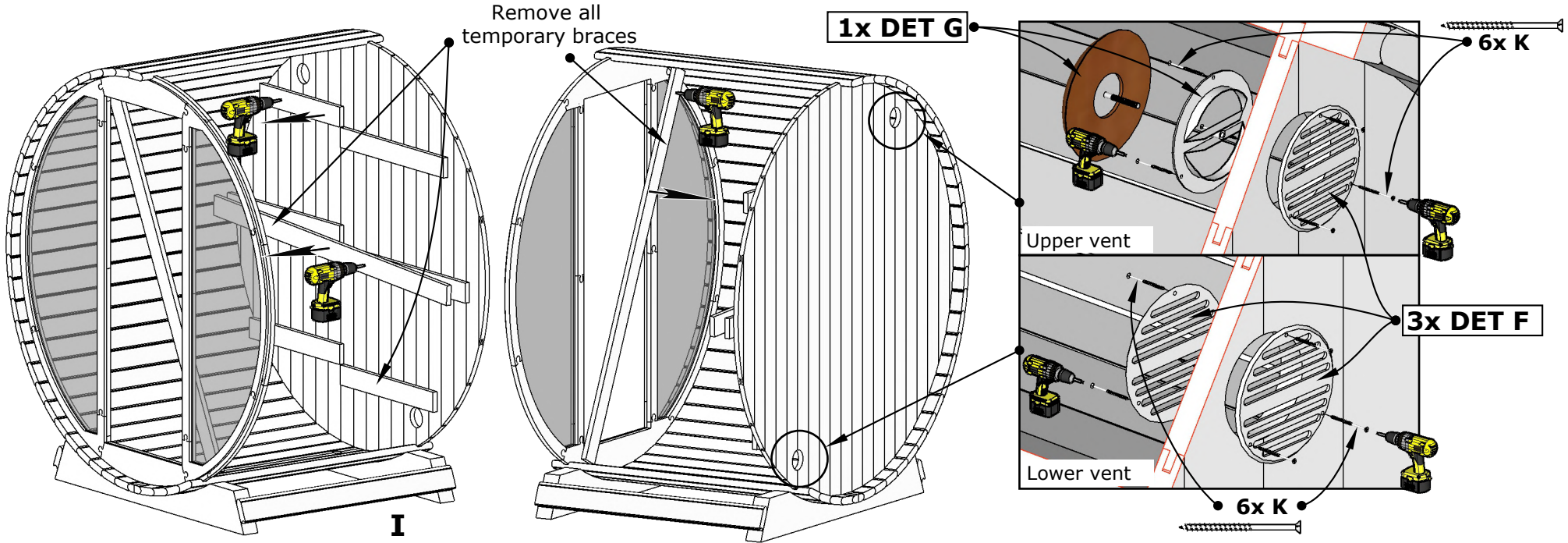
Raise slightly before installing the combined board



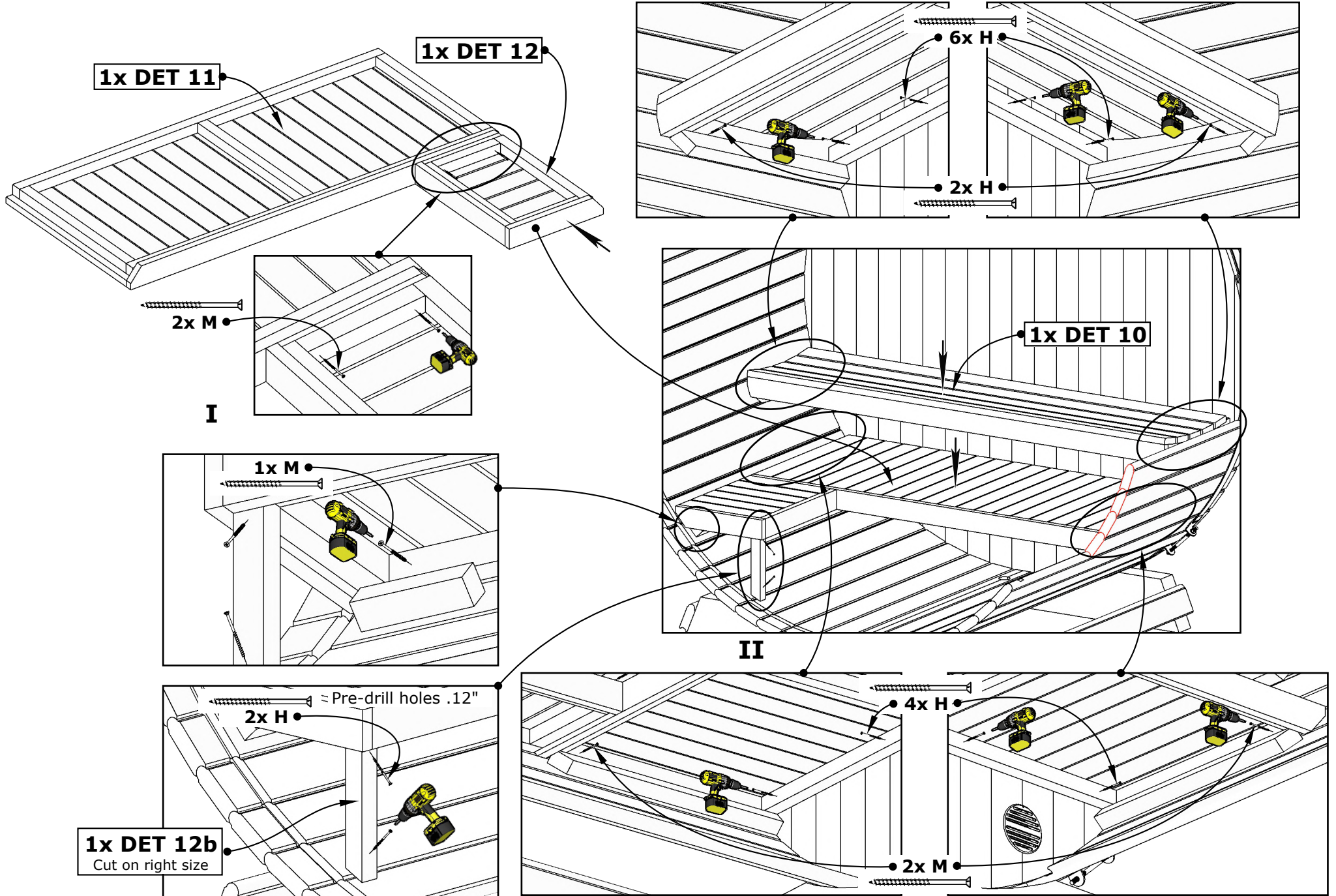
III

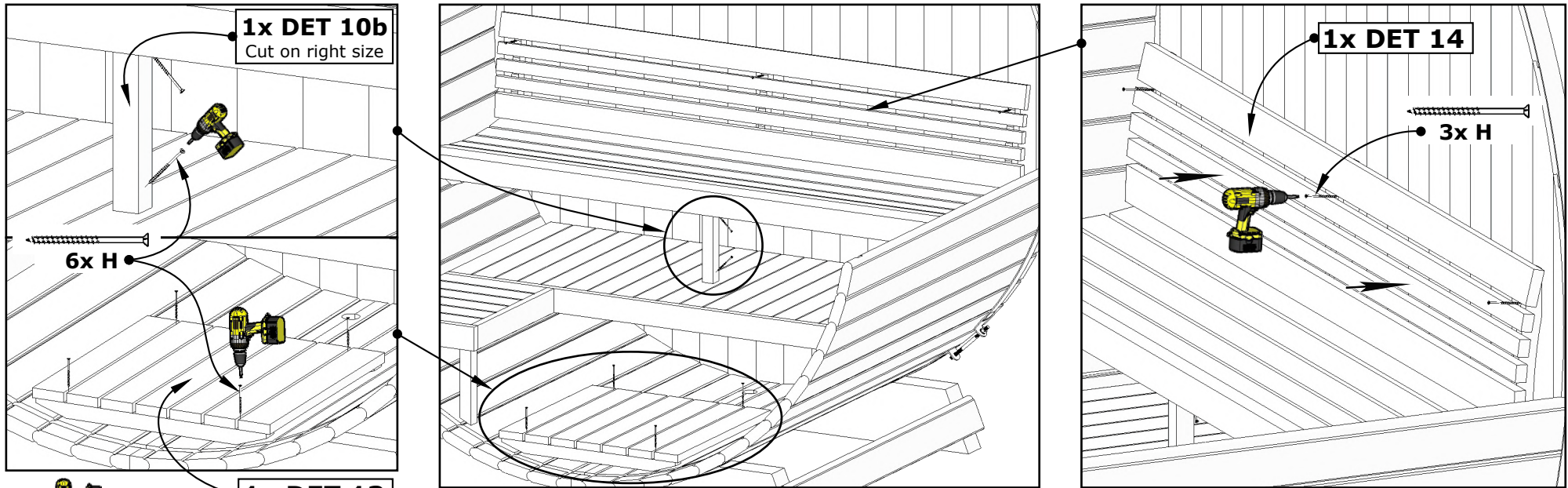


EE6G Barrel Sauna 63D" x 90H"



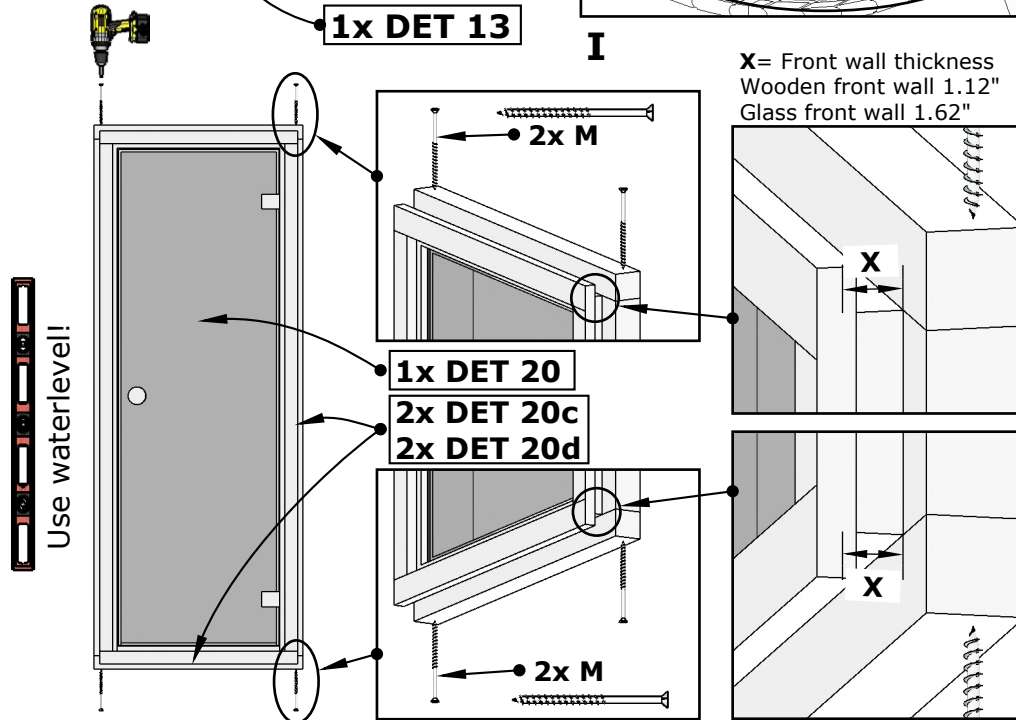
Use waterlevel for installation!



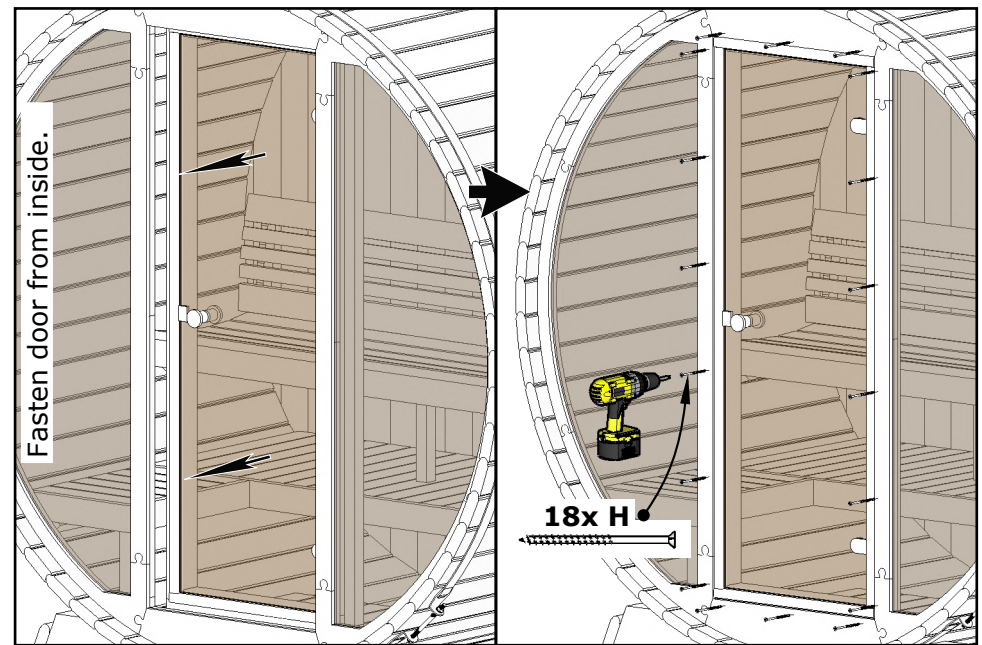


I

X= Front wall thickness
Wooden front wall 1.12"
Glass front wall 1.62"



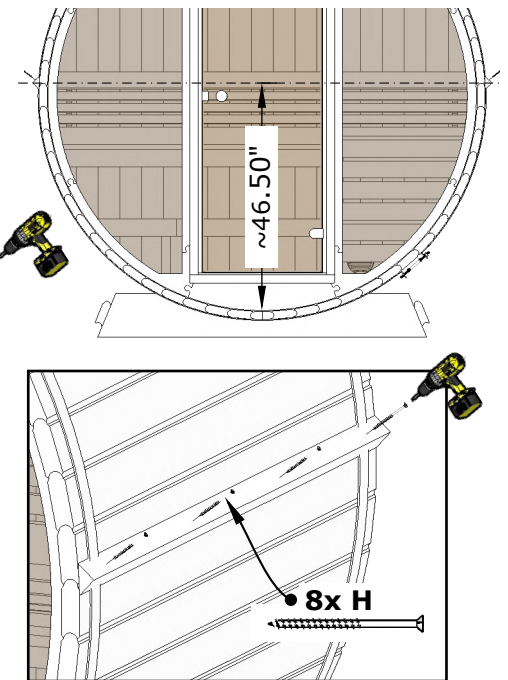
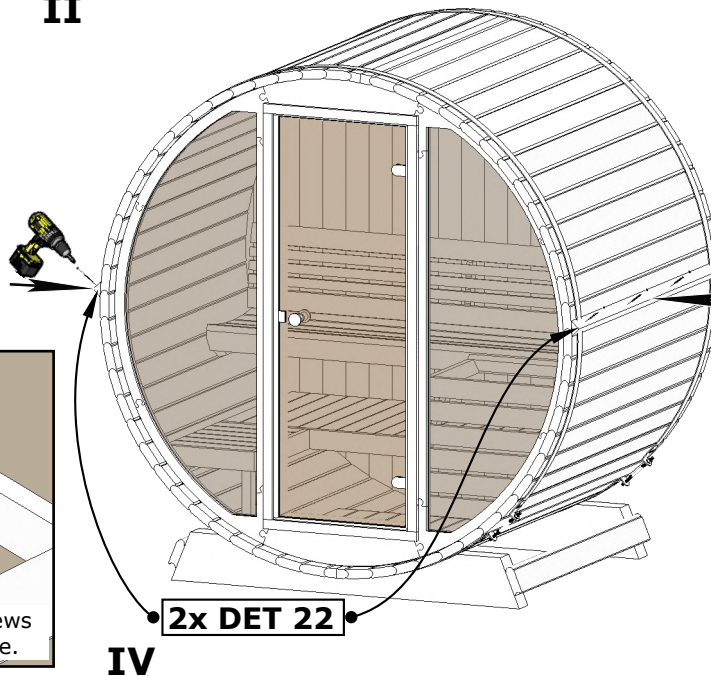
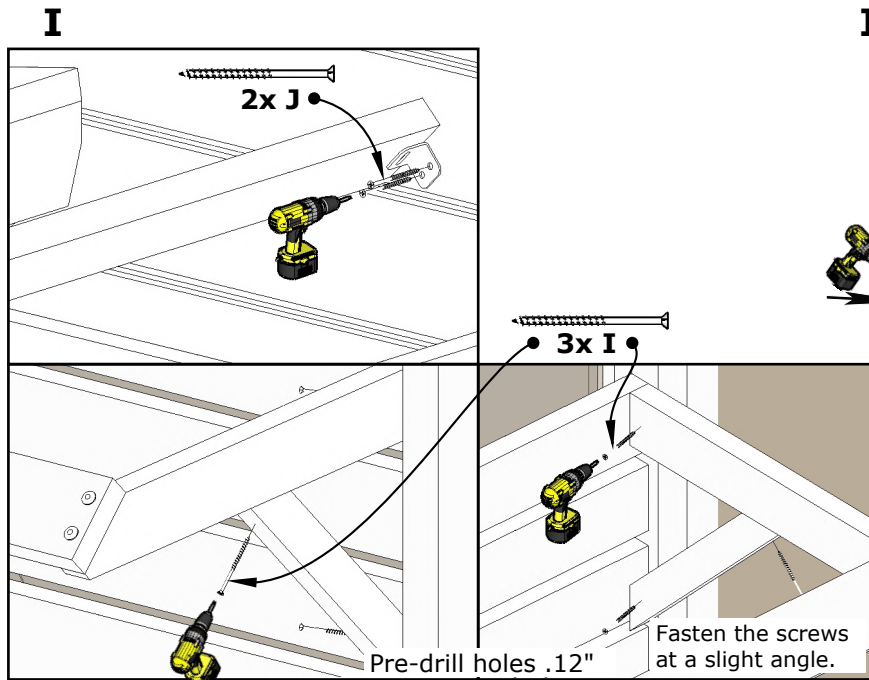
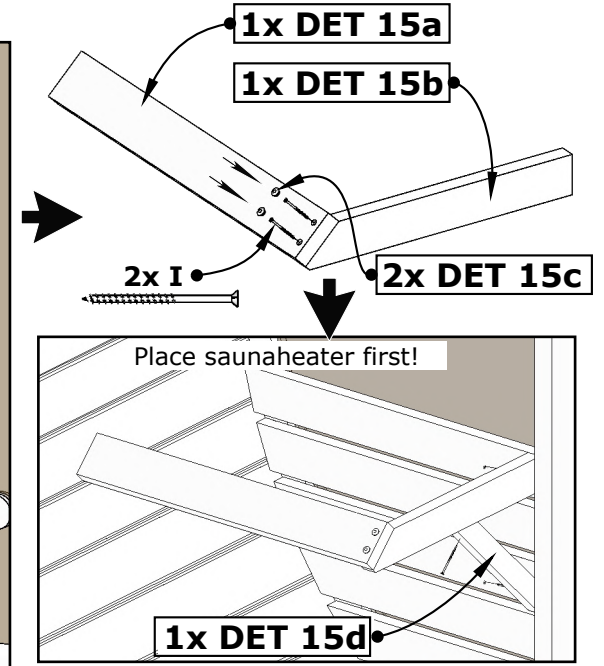
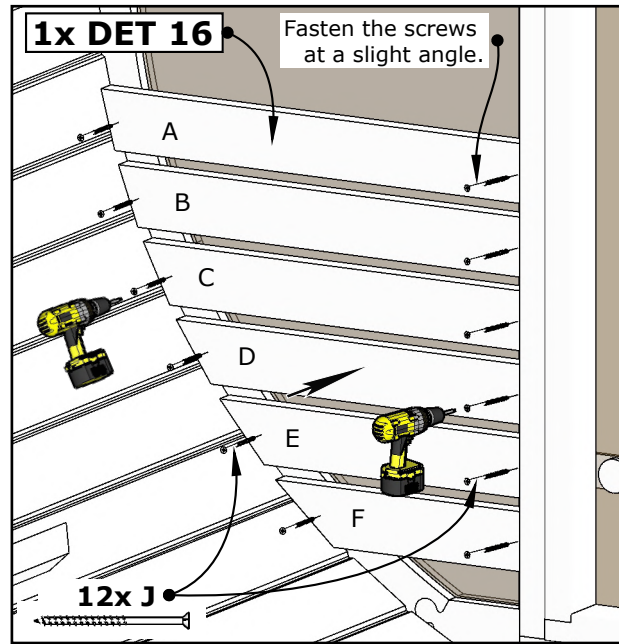
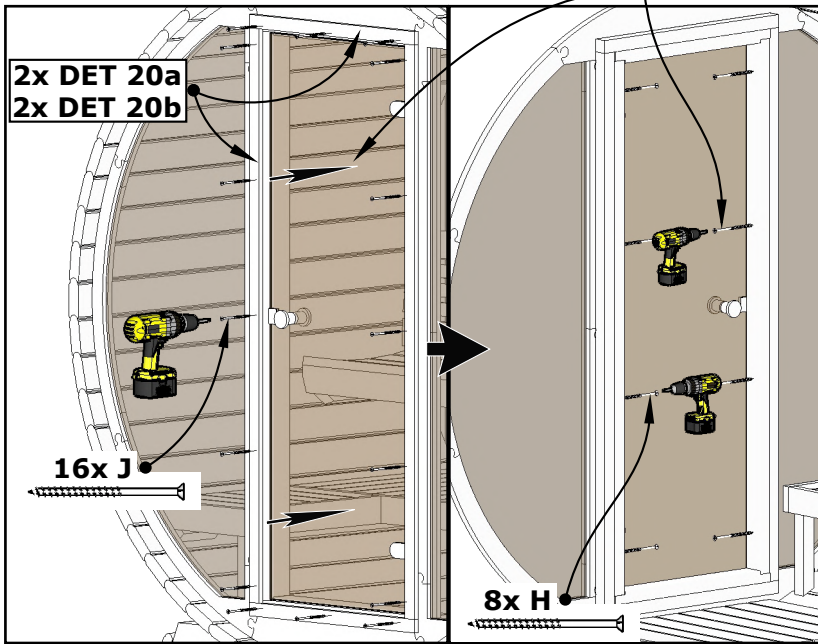
II



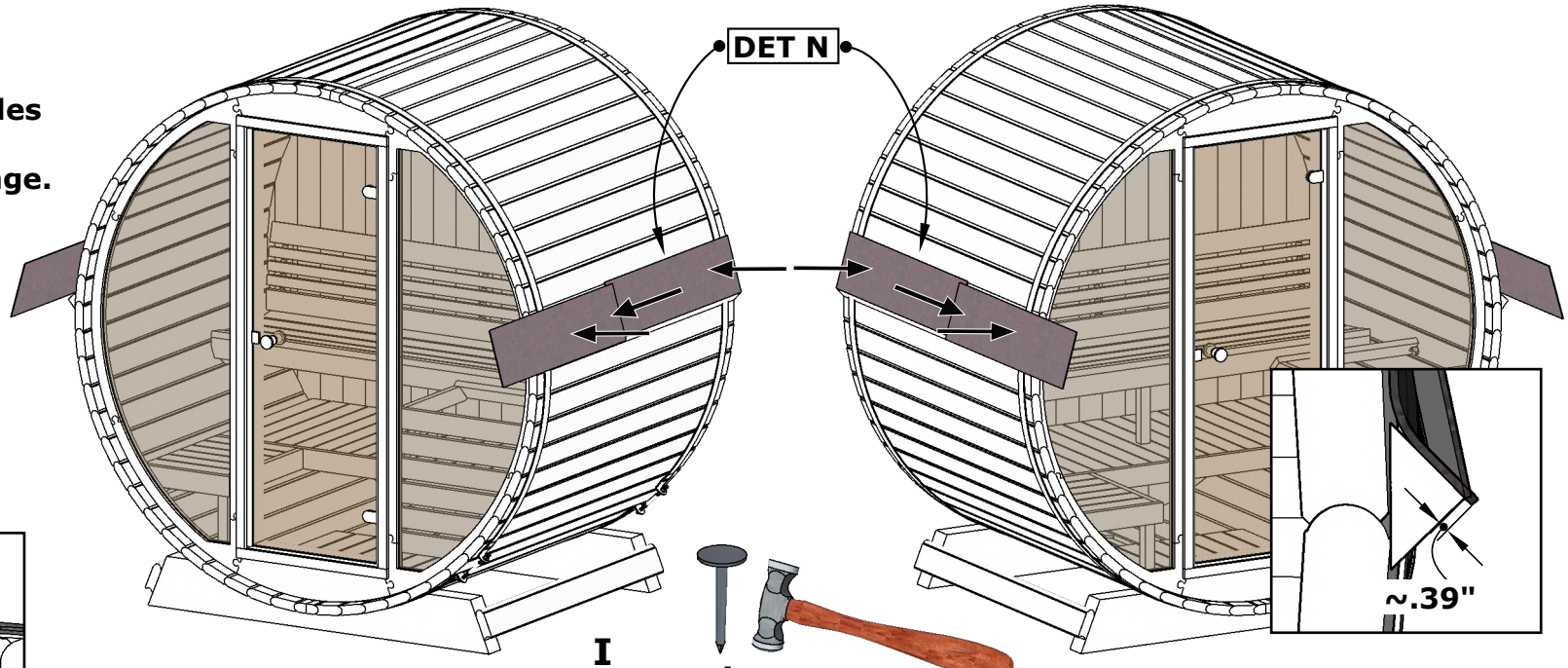
EE6G Barrel Sauna 63D" x 90H"

Ensure door frame is pressed tightly against the wall and fasten from inside

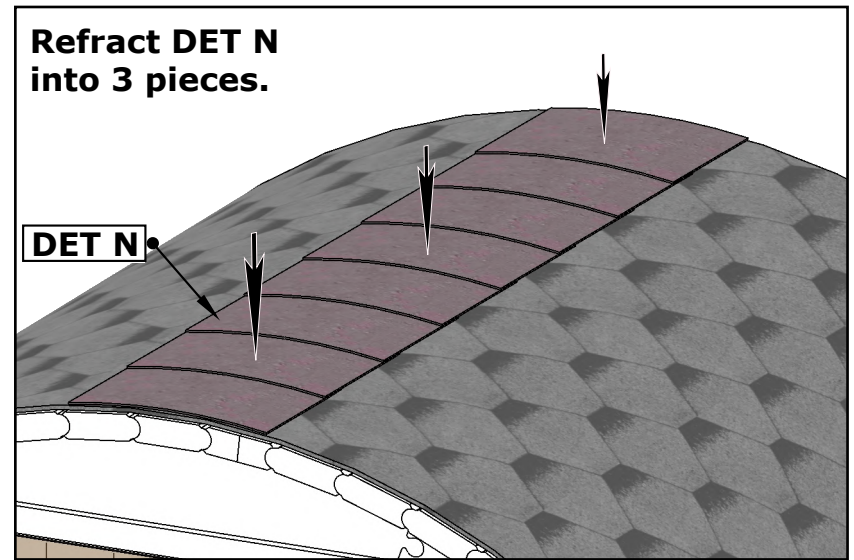
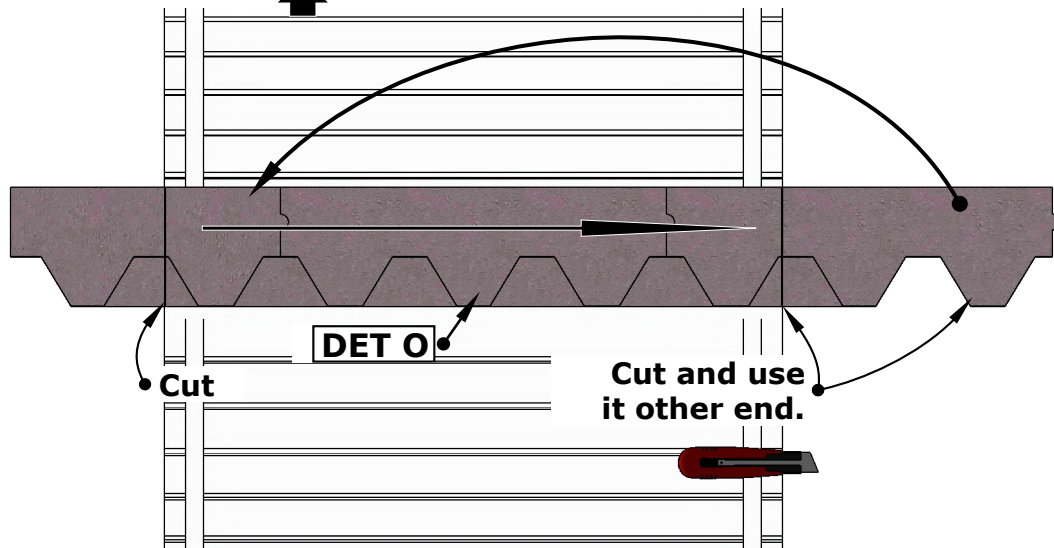
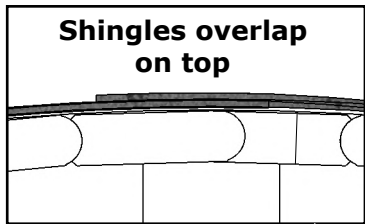
Please be careful!!! Do not hit the glass with the screw.

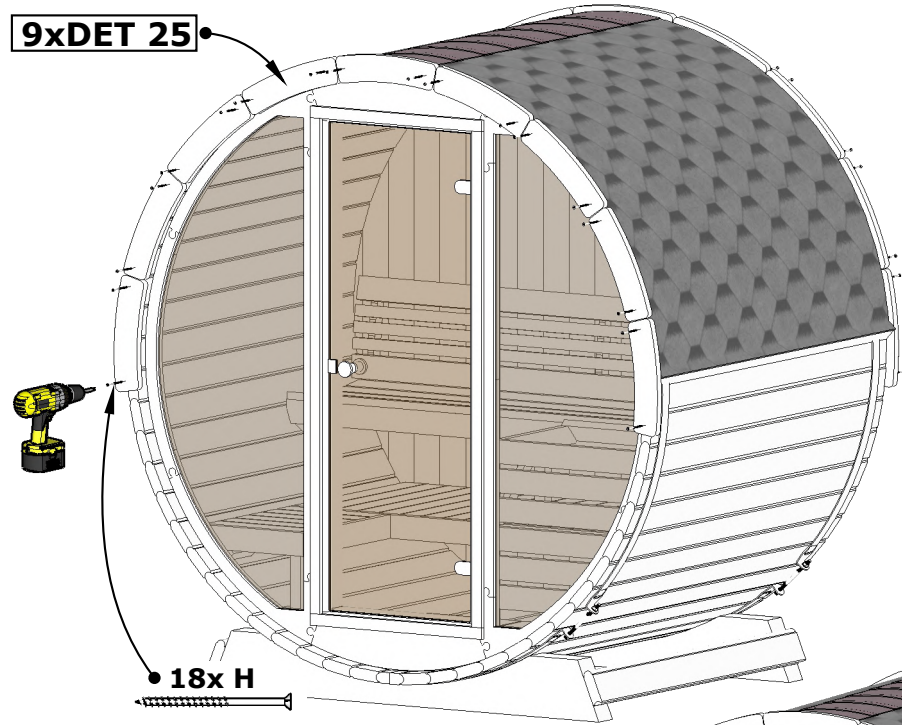


NB! Check also shingles installation manual inside shingles package.



Check also roof shingles installation manual inside package.





I

