

S7420601-3, S7420629-3 - Roman Tub Faucet with hand shower

Description

ISABELLE ROMAN TUB FILLER

- With hand shower
- Ceramic disc cartridges
- Quick connect spout
- 1/2" NPS connections
- 10 GPM @ 60 PSI
- 1.5 GPM Hand shower

- Complies with IAPMO UPC/cUPC
- ADA Accessibility Guidelines for Buildings and Facilities - 4.27.4 Controls and Mechanisms



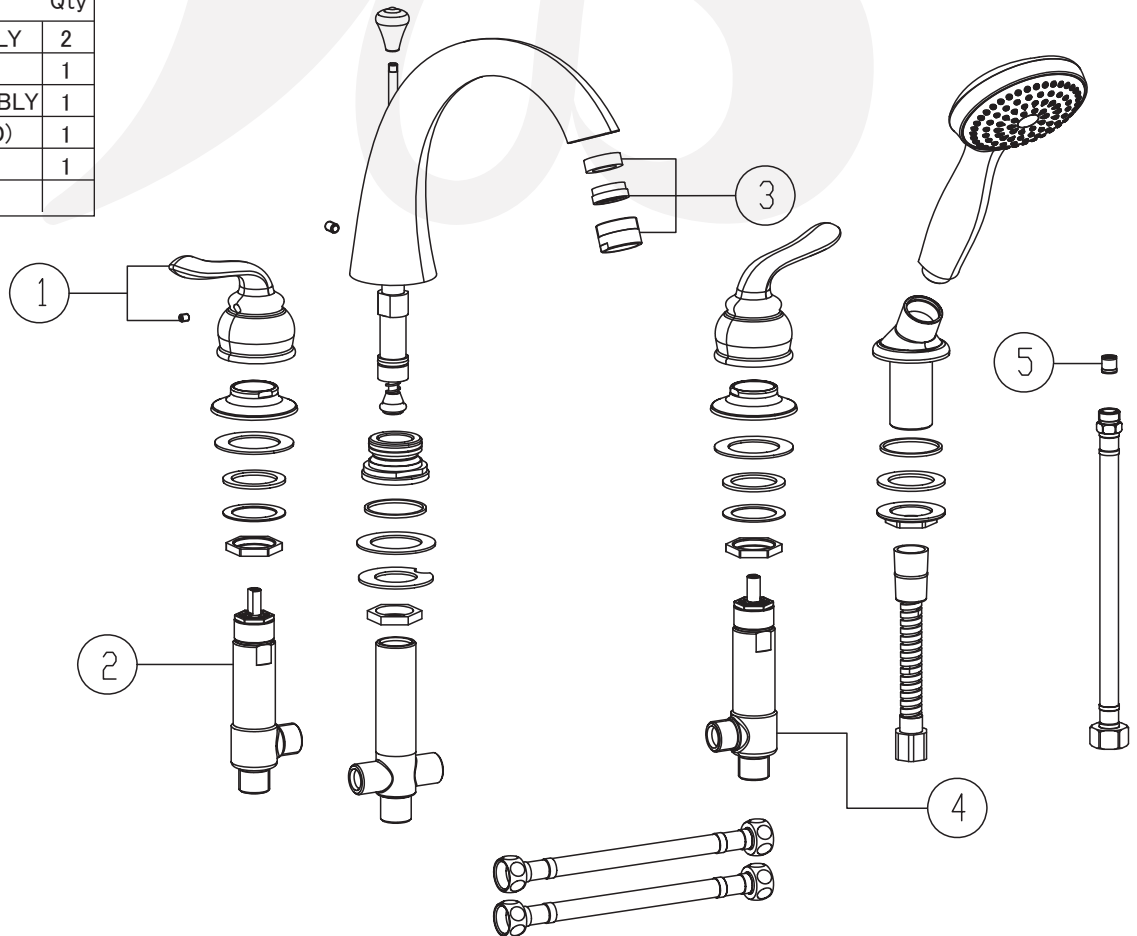
S7420601-3

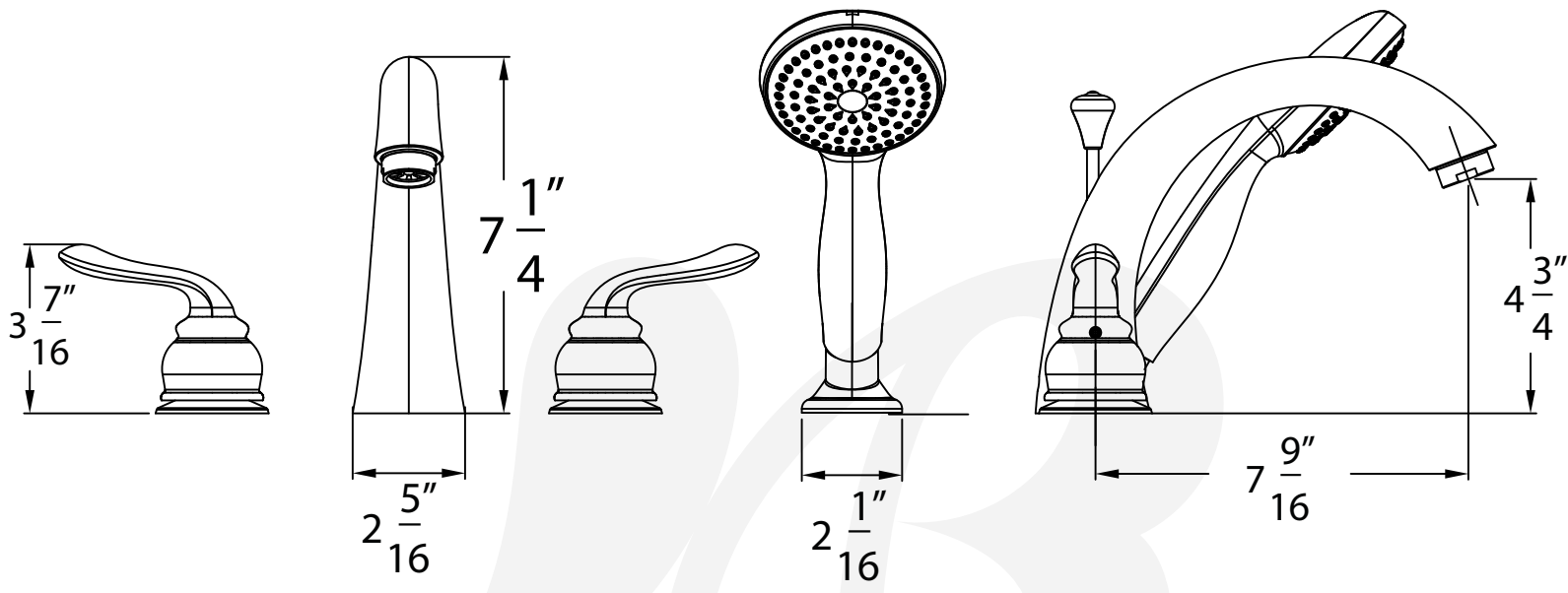
Colors / Finishes

- S7420601-3** Chrome
- S7420629-3** Satin Nickel

BREAK DOWN
Component Parts List

NO.	Description	Qty
1	HANDLE ASSEMBLY	2
2	CARTRIDGE(HOT)	1
3	AERATOR ASSEMBLY	1
4	CARTRIDGE(COLD)	1
5	CHECKSTOP	1





Item Number	Type	Date
S7420601-3, S7420629-3	Roman Tub Filler	8/4/2023