



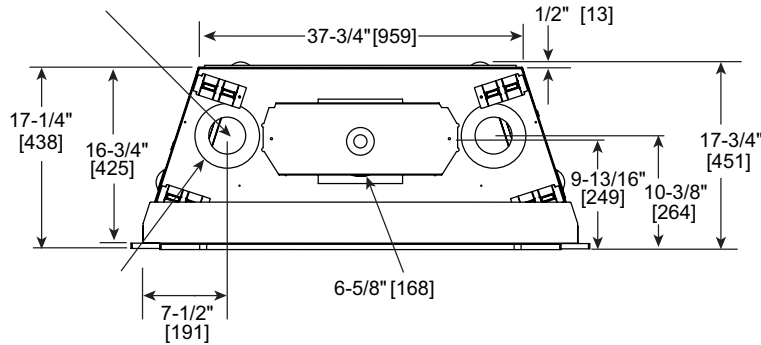
Please consult the manufacturer's installation manual for all details and requirements before making a final design layout decision.

Rave 42

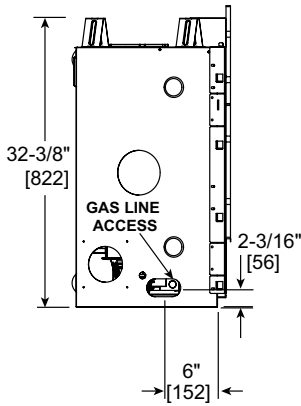
Direct Vent Gas Fireplace

MODEL	FRONT WIDTH		BACK WIDTH		HEIGHT		DEPTH		GLASS SIZE
	Actual	Framing	Actual	Framing	Actual	Framing	Actual	Framing	
RAVE42-IFT-B	48" (1219)	49" (1245)	37-3/4" (959)	49" (1245)	33-11/16" (856)	32-3/4" (832)	17-3/4" (451)	17-3/4" (451)	39-1/16" x 15-1/4" (992 x 387)

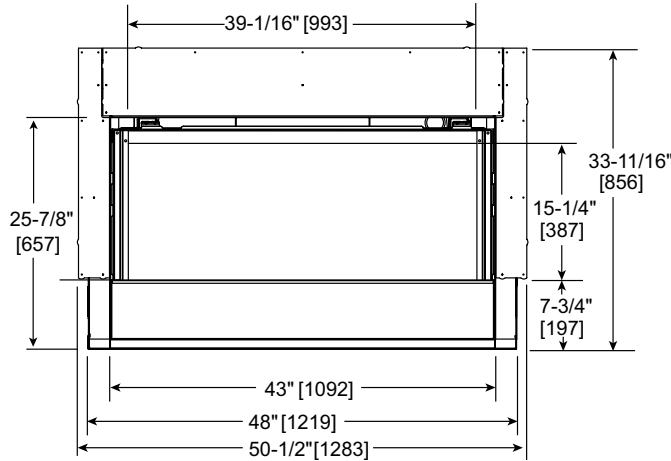
HEAT MANAGEMENT SYSTEMS ACCESS



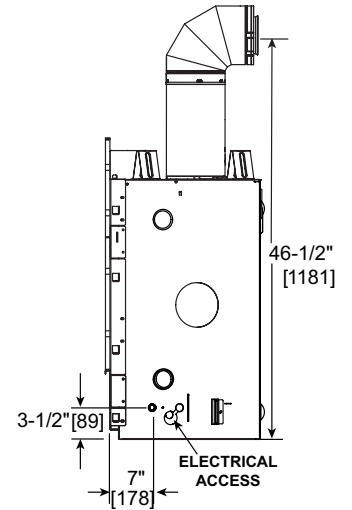
Top View



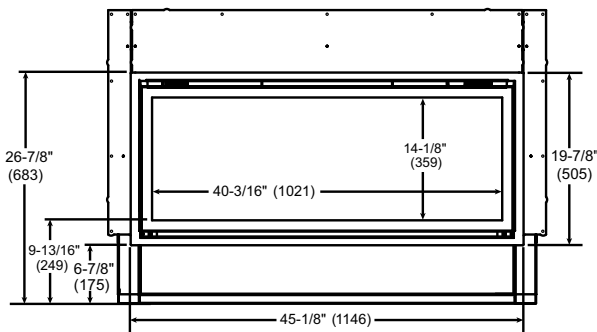
Left Side View



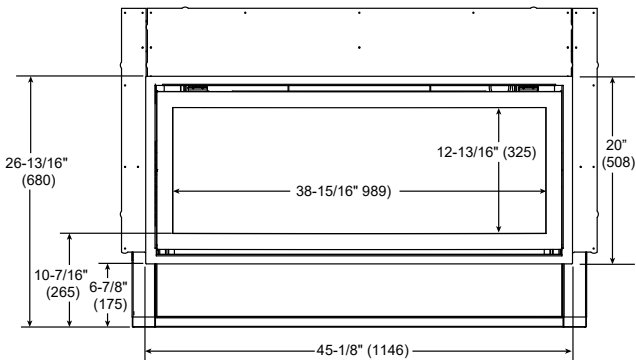
Front View



Right Side View



CLEAN FACE TRIM



ILLUSION FRONT

MINIMUM FIREPLACE CLEARANCES / CLEARANCES TO COMBUSTIBLES

AREA	TO COMBUSTIBLES
CLEARANCE TO CEILING	31" [787]
NON-COMBUSTIBLE FLOOR	0" [0]
COMBUSTIBLE FLOORING	0" [0]
BEHIND APPLIANCE	1/2" [13]
SIDES OF APPLIANCE	1/2" [13]
FRONT OF APPLIANCE	36" [914]

MEASURE FROM TOP OF APPLIANCE OPENING IN CEILING

APPLIANCE LOCATION

Refer to Section 10.C for mantel and wall projection information in installation manual. Consider the mantel or cabinet system to be installed and comply with the necessary requirements for elevated hearth. Refer to instructions included with cabinet system.

18" (457 mm) required when Passive Heat Side Discharge Kit is installed.

WALL PENETRATION

DO NOT PACK WITH INSULATION OR OTHER MATERIAL

Shows center of vent framing hole for top or rear venting. The center of the hole is 1" (25mm) above the center of the horizontal vent pipe.

MANTEL LEG/WALL PROJECTIONS

APPLIANCE OPENING 6" MIN. WALL 3" MAX.

APPLIANCE OPENING 7" MIN. WALL UNLIMITED

FRAMING DIMENSIONS

NOTE: Header must be installed on end as shown in the diagram.

HEADER: Two 2 X 4s or Two 2 X 6s installed on end

NON-COMBUSTIBLE MANTEL PROJECTIONS (or other materials above appliance)

1/2" THICK WALL SHEATHING

12" MAX. NON-COMBUSTIBLE MANTEL

14" MIN. BOTTOM OF MANTEL TO TOP OF APPLIANCE OPENING

6" MAX.

Non-combustible Mantels

MANTEL PROJECTIONS (or other materials above appliance)

12" TO CEILING

9" TO CEILING

6" TO CEILING

3" TO CEILING

9" TO CEILING

11" TO CEILING

13" TO CEILING

14" TO CEILING

6" TO CEILING

8" TO CEILING

10" TO CEILING

11" TO CEILING

Combustible Mantels

Combustible Mantels - Passive Heat Kit Installed

PRODUCT LISTING CODES	
US	ANSI Z21.88-2017
CAN	CSA 2.33-2017
US LISTED	UL307B

Product information provided is not complete and is subject to change without notice. Product installation must adhere strictly to instructions accompanying product to avoid risk of fire and potential injury.

Additional information can be found online at www.heatilator.com