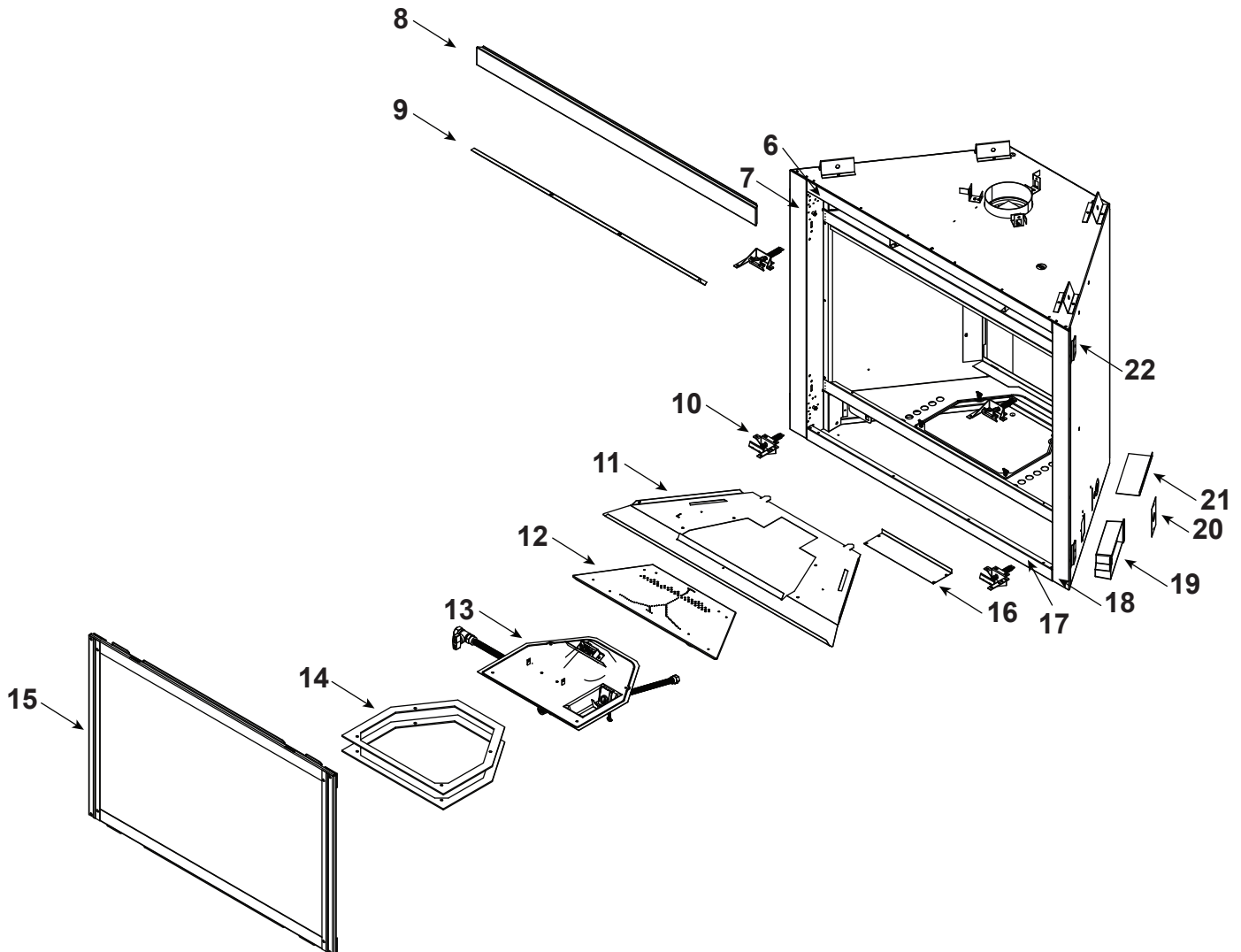
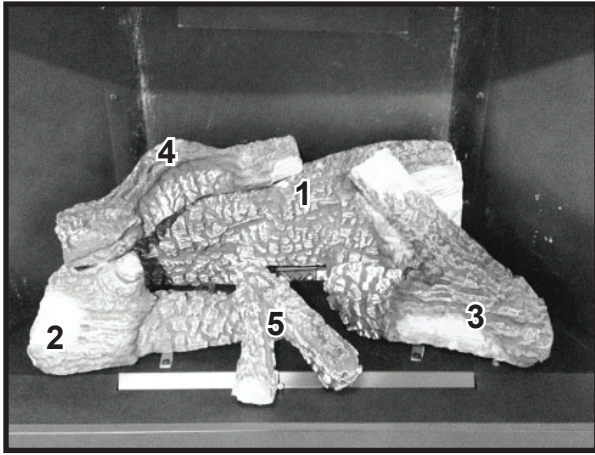


Log Set Assembly



Part number list on following page.

Beginning Manufacturing Date: Feb 2016
 Ending Manufacturing Date: Oct 2020
 Manufacturing Reactivation Date: May 2022
 Ending Manufacturing Date: Mar 2023

IMPORTANT: THIS IS DATED INFORMATION. Parts must be ordered from a dealer or distributor. **Hearth and Home Technologies does not sell directly to consumers.** Provide model number and serial number when requesting service parts from your dealer or distributor.

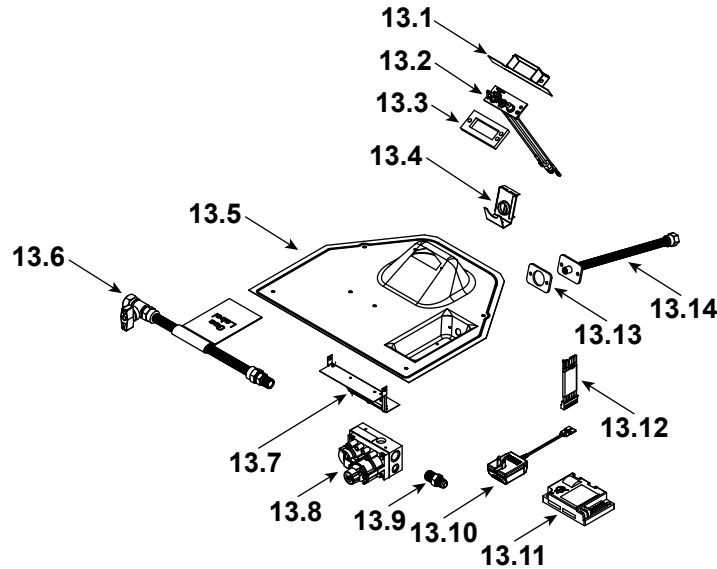


**Stocked
at Depot**

ITEM	DESCRIPTION	COMMENTS	PART NUMBER	
	Log Set Assembly		SRV2383-070	Y
1	Rear Log		SRV2383-071	
2	Front Left Log		SRV2383-072	
3	Front Right Log		SRV2383-073	
4	Top Log		SRV2382-074	
5	Middle Log		SRV2383-075	
6	Not replaceable must order overlay (CUST4018-001)		4055-197	
7			4055-133	
8	Dry Wall Lip		4031-208	
9	Glass Shield		4031-220	
10	Glass Latch Assembly	Qty 4 req	2382-400	Y
11	Hearth Pan		2383-111	
12	Burner Assembly		2383-007	Y
13	Valve Assembly		Refer to valve page	
14	Gasket, Valve Plate	Qty 2 req	4055-135	
15	Glass Frame Assembly		GLA2383-018	
16	Fan Shield		4031-290	
17	Not replaceable must order overlay (CUST4018-001)		4055-197	
18			4055-133	
19	Junction box	Pre LC5475379	SRV4021-013	Y
		Post LC5475379	SRV2326-013	Y
20	Cover Plate		SRV4031-222	
21	Shield Junction Box	Pre LC5475379	4031-193	
22	Nailing Flange	Qty 4 req	SRV4044-161	
	High Limit Switch		SRV4021-383	Y
	Thumb Screws	Pkg of 25	4021-558/25	Y
	Touch-up Paint, Interior	Pre LC5475379	SRV4021-110	
		Post LC5475379	TUPB-12	
	Touch-up Paint, Exterior		TUPB-12	
	Conversion Kit NG		DCKVN-Novus	Y
	Conversion Kit Propane		DCKVP-Novus	Y
	Pilot Orifice NG		SRV593-528	Y
	Pilot Orifice Propane		SRV593-527	Y
	Regulator NG		SRVNGK-DXV	Y
	Regulator Propane		SRVLPK-DXV	Y

Additional service part numbers appear on following page.

#13 Valve Assembly



IMPORTANT: THIS IS DATED INFORMATION. Parts must be ordered from a dealer or distributor. **Hearth and Home Technologies does not sell directly to consumers.** Provide model number and serial number when requesting service parts from your dealer or distributor.



Stocked at Depot

ITEM	DESCRIPTION	COMMENTS	PART NUMBER	
13.1	Pilot Shield		2382-131	
13.2	Pilot Assembly NG		SRV2090-012	Y
	Pilot Assembly Propane		2090-013	Y
13.3	Gasket, Pilot Assembly		4021-042	
13.4	Air Shutter Assembly		SRV4055-202	Y
13.5	Seal Plate Assembly		2382-584	
13.6	Flex Ball Valve Assembly		SRV302-320	Y
13.7	Valve Bracket		4055-205	
13.8	Valve NG		750-500	Y
	Valve Propane		750-501	Y
13.9	Brass Fitting	Pkg of 5	303-315/5	Y
13.10	3 Volt Transformer		SRV593-593	Y
13.11	Module		SRV593-592	Y
13.12	Module Wire Assembly		SRV593-590	Y
13.13	Gasket, Bulkhead		4021-429	
13.14	Bulkhead, Flexible		4021-512	Y
	Wire Assembly , Wall Switch		2118-170	Y
	Orifice NG (#37C)		582-837	Y
	Orifice Propane (#52C)		SRV582-852	Y