

# A modern play on *vintage elegance*

## MASON-LITE

by MFI • Masonry Fireplace Industries, Inc.



Mason-Lite's *Opalescence* transcends all styles, suited to fit any Mason-Lite Fireplace.

### **Create ambience – with or without flame.**

Set the mood for romance, or party with friends and family using the SIT Proflame II control system including convenient flame modulation hand held remote.

Opalescence offers warmth and comfort. This product is a first of its kind for Mason-Lite – the first vented drop-in burner system featuring IC controlled LED lighting that operates with a remote or with the easy-to-use smartphone application allowing for music and light synchronization. The main flame and LED lighting are independently controlled and operated. Available in five convenient sizes, install indoors or under a covered patio and add ½" reflective glass to finish off.

### *Features*

- Install in Trough or Open Face Wood Burning Fireplace
- Install Indoors or Under Covered Patio
- 110v System with Plug or Hard Wire Ready
- Gas Specific, Non-Field Convertible
- BTU Output = 15K BTUs per ft
- 5 Flame Height Adjustments
- Integrated LED Lights with App Controls
- Designed with ½" Reflective Fire Glass
- Driftwood logs available
- Smartphone application

**Opalescence**  
Beauty | Function | Fire

Find a Dealer: (800) 345-7078 | [Mason-Lite.com](http://Mason-Lite.com)

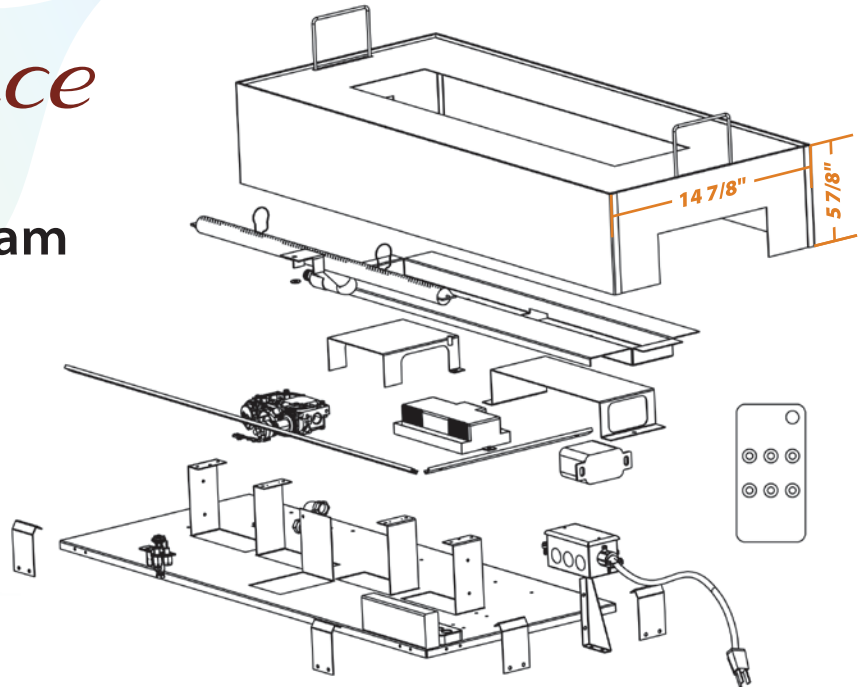


**MASON-LITE**  
by MFI • Masonry Fireplace Industries, Inc.



## Opalescence

### Burner Unit Exploded Diagram



### Remote Operation



### Natural Gas Models

	Rated High	Rated Low	Rated Manifold Pressure	Rated Inlet Min	Rated Inlet Max
LDB24L-EN*	30,000	20,000	3.5	5	10.5
LDB36L-EN*	45,000	30,000	3.5	5	10.5
LDB48L-EN	60,000	40,000	3.5	5	10.5
LDB60L-EN	75,000	50,000	3.5	7	10.5
LDB72L-EN	90,000	60,000	3.5	7	10.5
LDB84L-EN	105,000	70,000	3.5	7	10.5
LDB96L-EN	120,000	80,000	3.5	7	10.5

### Sizing Chart

Minimum Fire Box Size				
NG / LP	Front	Rear	Depth	Height
LDB24*	24	24	15	20
LDB36*	36	36	15	20
LDB48	48	48	15	20
LDB60	60	60	15	20
LDB72	72	72	15	20
LDB84	84	84	15	20
LDB96	96	96	15	20

### Liquid Propane Models

	Rated High	Rated Low	Rated Manifold Pressure	Rated Inlet Min	Rated Inlet Max
LDB24L-EP*	30,000	15,000	10	11	14
LDB36L-EP*	45,000	20,000	10	11	14
LDB48L-EP	60,000	30,000	10	11	14
LDB60L-EP	75,000	40,000	10	11	14
LDB72L-EP	90,000	50,000	10	11	14
LDB84L-EP	105,000	55,000	10	11	14
LDB96L-EP	120,000	60,000	10	11	14

### Reflective Glass

Measurement for Unit Size	
Burner Size	Pounds of Glass Media Used
24"*	10 lbs.
36"*	15 lbs.
48"	20 lbs.
60"	25 lbs.
72"	30 lbs.
84"	35 lbs.
96"	40 lbs.

\*Indicates a model that requires a special order.

### Easily Installed

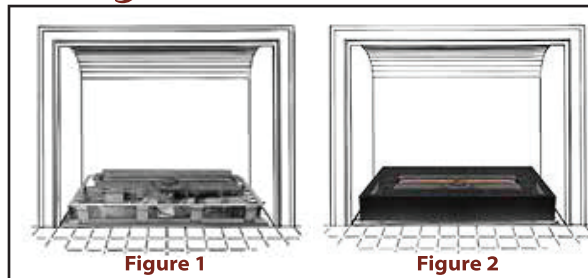


Figure 1

Figure 2

Place Opalescence burner in your fireplace centering the base front to back and side to side. Centering the base allows the case to easily slide over the top of the base. (Figure 1)

Pull up on the handles located on the left and right side of the case. Lift the case and carefully place the case in the fireplace covering the base. Larger units may require two people to install. (Figure 2)

Burner measures 14 7/8" deep x 5 7/8" high.

Find a Dealer: (800) 345-7078 | Mason-Lite.com

