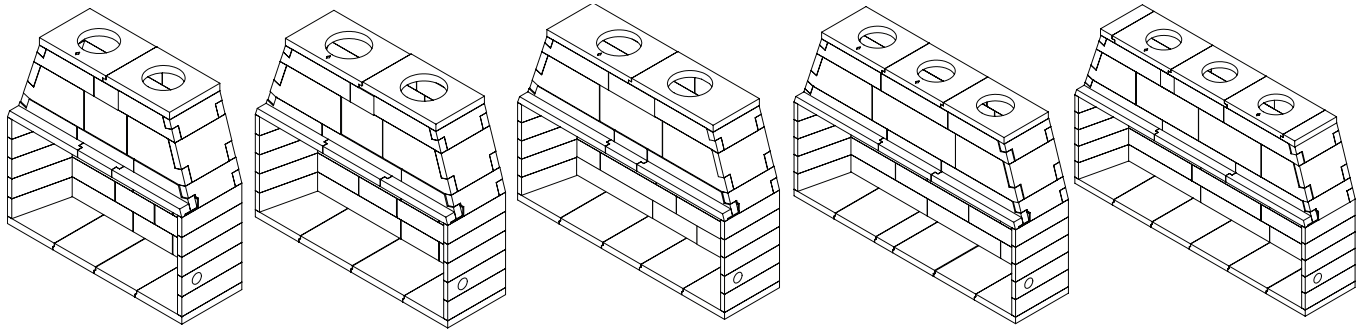


Installation and Operation Instructions

MASON-LITE

by MFI • Masonry Fireplace Industries, Inc.



Masonry Firebox Models

MFP72-RGL / MFP84-RGL / MFP96-RGL / MFP108-RGL / MFP120-RGL

⚠ WARNING

Do not install this fireplace directly on combustible material. For combustible floor installation, use only approved non-combustible support structure.

⚠ WARNING

Improper installation, adjustment, alteration, service or maintenance can cause injury or property damage. Refer to this manual for correct installation and operational procedures. For assistance or additional information consult a qualified installer, service agency or the gas supplier.

THIS WOOD-BURNING FIREPLACE COMPLIES WITH STANDARDS UL127 AS A FACTORY-BUILT APPLIANCE.

SAVE THIS BOOK

This book is valuable. In addition to instructing you on how to install and maintain your appliance, it also contains information that will enable you to obtain replacement parts or accessory items when needed. Keep it with your other important papers.

This fireplace is approved for use as a wood burning fireplace or for use with a vented gas log approved to ANSI Z21.60 standards. It has not been tested or approved for unvented gas logs.

INSTALLER: Leave this manual with the appliance.

CONSUMER: Retain this manual for future reference.

Do not store gasoline or other flammable vapors and liquids in the vicinity of this or any other appliance.



Report No. 08-154



NOTE: DIAGRAMS AND ILLUSTRATIONS THROUGHOUT THE MANUAL ARE NOT TO SCALE.

TABLE OF CONTENTS

Cover Page	1	Hearth Ember Shields.....	27
Table of contents	2	Venting.....	28
Example Rating Label.....	3	Class A Chimney Pipe.....	28
Safety Information	4 - 5	Mason-Lite Fireplace & Chimney System.....	28
Installation.....	4	Seismic / Non-Seismic Code.....	28
Guidelines for Use.....	4	Tools and Materials Required for Installation.....	28 - 29
Warnings.....	4	Tools Needed for Installation.....	29
Intended Use.....	5	Materials Needed for Concrete Slab.....	29
Operational Information.....	5	Materials Needed for Combustible Floor.....	29
Parts List	6 - 15	Field Assembly Procedures.....	29
MFP72-RGL Firebox Parts List.....	6 - 7	Firebox Installation	30 - 33
MFP84-RGL Firebox Parts List.....	8 - 9	High Temperature Dry Mortar Mix.....	30
MFP96-RGL Firebox Parts List.....	10 - 11	Mixing Instructions.....	30
MFP108-RGL Firebox Parts List.....	12 - 13	MFP72/84/96/108/120-RGL Fbox . Assy. Instr.....	30 - 33
MFP120-RGL Firebox Parts List.....	14 - 15	Venting and Accessory Installation	34 - 37
Firebox Dimensions	16 - 18	Installing Damper and Chimney System.....	34
MFP72-RGL and MFP84-RGL.....	16	Installing Firestop Radiation Shield.....	35
MFP96-RGL and MFP108-RGL.....	17	Installing Outside Air.....	35
MFP120-RGL.....	18	Chimney Pipe.....	36
Product Overview	19	Assy. & Inst. of Double Wall Chimney System.....	36
Const./Assy. Phases of a Mason-Lite Fireplace.....	19	Adding a Gas Pipe.....	36
Pre-Installation	20 - 29	Adding Electrical Connections.....	36
Selecting Location.....	20	Fireplace Grate and Screens.....	36
Clearances.....	20	Firebrick Lining.....	37
Understanding Clearance to Combustibles.....	20	Modular Firebrick Lining.....	37
Clearances to Combustibles.....	20	Fireplace Finishes & Combustible Trim.....	37
Firebox Framing & Clearances.....	20 - 23	Operation & Precautions	38 - 39
Combustible Floor Clearances.....	23	Mason-Lite Owner's Operation & Precautions.....	38
Mantels & Mantle Shelf Clearances.....	23	Starting a Fire and Basic Operation.....	38
Caution in Regards to Combustibles.....	23	Annual Fireplace Maintenance.....	39
Supporting Floor Systems.....	24	Customer Service & Replacement Parts.....	39
Combustible & Non-Combustible Floor.....	24	Available Accessories	40 - 42
Rebar Locations.....	24	CMU Block Layout	43 - 44
Wood Floor.....	24	Appendix I	45
Crawl Space or Upper Floor.....	24	Appendix II	46
Mason-Lite Weight Determination.....	25	Appendix III	47
Other Weight Considerations.....	25	Notes	48 - 50
Combustible Floor Installations.....	26 - 27	Limited Lifetime Warranty	51
8" CMU Blocks.....	26	Installer/Customer/Unit Information	52

EXAMPLE LABEL.

Below is a sample picture of the rating plate that is located inside the lower dome side of your fireplace. Model Number, Date of Manufacture and Serial Number should be stamped on the plate where indicated.

 <p>MFI Masonry Fireplace Industries, Inc. 6391 Jurupa Ave. Riverside, CA 92504</p>	<p>DO NOT REMOVE THIS LABEL</p> <p>See MFI's installation and operating instructions for this model. Contact local building officials about restrictions and installation specifications in your area.</p>		<p>Tested & Listed By</p>  <p>US</p>
	<p>DATE OF MFG. <input type="text"/></p>	<p>SERIAL No. <input type="text"/></p>	<p>Report No. 08-154</p>
<p>MODEL No.: <input type="checkbox"/> MFP72-RGL <input type="checkbox"/> MFP84-RGL <input type="checkbox"/> MFP96-RGL <input type="checkbox"/> MFP108-RGL <input type="checkbox"/> MFP120-RGL</p>	<p>WARNING: THIS FIREPLACE IS DESIGNED FOR USE ONLY WITH SOLID WOOD LOGS, PLUMBED LPG OR NG LOG LIGHTERS OR PLUMBED ANSI Z21.60 DECORATIVE GAS LOGS. DO NOT USE A FIREPLACE INSERT OR OTHER PRODUCTS NOT SPECIFIED FOR USE WITH THIS PRODUCT. THIS FIREPLACE HAS NOT BEEN TESTED FOR USE WITH GLASS DOORS. TO REDUCE THE RISK OF FIRE OR INJURY, DO NOT INSTALL GLASS DOORS. CONSULT OWNER'S MANUAL INCLUDED WITH THIS FIREBOX FOR FURTHER INFORMATION.</p>		
<p>FIREPLACE CLEARANCES TO COMBUSTIBLES:</p> <p>UNIT FRONT, SIDES, REAR 2" (51 mm) COMBUSTIBLE FLOOR 8" (203 mm) COMBUSTIBLE SHEATHING ABOVE OPENING TOP 38" (965 mm) HEARTH OR TRIM TO OPENING SIDES 8" (203 mm) HEARTH ABOVE OPENING 12" (305 mm) HEARTH TO SIDE WALL 24" (610 mm) HEARTH EXTENSION BEYOND FRONT 20" (508 mm) HEARTH EXTENSION BEYOND SIDES 15" (305 mm) INSULATION FROM FIREBOX 2" (51 mm)</p>		<p>MANTEL CLEARANCES: SEE INSTALLATION MANUAL FOR DETAILS.</p>	
<p>MANTEL ABOVE OPENING: MIN. - 3" SHEATHING OR TRIM TO OPENING SIDES 8"</p>		<p>WARNING: Use only approved, listed Chimney Pipe as follows: MFP72-RGL, MFP108-RGL and MFP120-RGL: UL103-14"-Class A MFP84-RGL & MFP96-RGL: UL103-16"-Class A Please refer to pipe manufacturer's installation instructions.</p>	
<p>MFP-RGL-RL_REV_A_07-2023</p>	<p>THIS APPLIANCE NEEDS FRESH AIR FOR SAFE OPERATION AND MUST BE INSTALLED SO THERE ARE PROVISIONS FOR ADEQUATE COMBUSTION AND VENTILATION AIR.</p>		<p>Chimney Height: Max.: 40 ft. Min.: 14 ft. (17 ft. with 1 or 2 offset sections Maximum)</p>
	<p>LISTED MASONRY FIREPLACE SYSTEM COMPLIES WITH APPLICABLE REQUIREMENTS OF UL127.</p>		
	<p>Fireplace is designed for installation per the National Fire Protection Association Standard for Chimneys, Fireplaces, Vents and Solid Fuel-Burning Appliances (NFPA 211).</p>		
<p>WARNING: THIS FIREPLACE HAS NOT BEEN TESTED WITH AN UNVENTED GAS LOG SET. TO REDUCE THE RISK OF FIRE OR INJURY, DO NOT INSTALL AN UNVENTED GAS LOG SET INTO FIREPLACE.</p>			

SAFETY INFORMATION

The Mason-Lite Regal Masonry Fireplace is a modular refractory masonry unit designed for field assembly. The firebox is constructed using pre-cast, interlocking refractory blocks. The blocks are secured together using Mortar. The system includes all parts necessary for the assembly of a complete masonry fireplace. The firebox enclosure must be lined with 2-1/2" thick firebrick (ASTM-C1261) not supplied. The firebricks will be applied within the walls and hearth area of the firebox.

INSTALLATION

Before Beginning the Installation

Read these instructions carefully BEFORE installing this fireplace. If installing an ANSI Z21.60 Decorative Gas Log, follow the appliance manufacturer's sizing and suitability recommendations.

Check local codes before installing this fireplace. Permits may be required.

GUIDELINES FOR USE

All current and future users of Mason-Lite Regal Fireplaces are charged with the responsibility for full knowledge of the information contained within this manual which includes:

Strict requirements for assembly.

Detailed instructions for installation.

Cautionary guidelines for use.

On-going maintenance instructions.

It is the responsibility of the distributor, subcontractor, general contractor or whoever assumes the liability for installation of this product, to insure that the work is conducted according to the guidelines and instructions of this manual. Note that the general contractor is responsible for assuring that the clearance to combustibles specified by this manual are strictly followed.

WARNINGS

IMPORTANT

Check local codes before installing this fireplace.

⚠ WARNING

Do not install unvented appliances into this fireplace. This fireplace has not been tested for the use with unvented gas log sets.

⚠ WARNING

Do not install a fireplace insert or other products not specified for use with this fireplace.

⚠ WARNING

This fireplace is not intended to be used as a substitute for a furnace to heat an entire home. Use for supplemental heat only.

⚠ WARNING

Do not store gasoline or other flammable vapors and liquids in the vicinity of the appliance.

⚠ WARNING

A fire or an explosion may occur resulting in property damage, injury or loss of life if you do not follow the information in this manual.

⚠ WARNING

Specified venting parameters (type, size and height requirements) must be strictly followed. See Venting and Accessory Installation pages 34 thru 37.

⚠ WARNING

For MFP72-RGL, MFP108-RGL, MFP120-RGL: Install only approved, listed UL 103-14" I.D. Class A Chimney System.

For MFP84-RGL, MFP96-RGL: Install only approved, listed UL 103-16" I.D. Class A Chimney System.

Chimney maximum height: 40 feet

Chimney minimum height: 14 feet (with offset = 17 feet) 2 offsets maximum.

Important: Follow the chimney pipe manufacturer's instructions on the installation of their specific flue system.

IMPORTANT SAFETY INFORMATION *Continued*

WARNING

Firebox must be lined with firebrick (ASTM-C1261).

WARNING

This product can expose you to chemicals including Carbon Black, which is known to the State of California to cause cancer, and Carbon Monoxide, which is known to the State of California to cause birth defects or other reproductive harm. For more information go to www.P65Warnings.ca.gov

INTENDED USE

Statement of Intended Use

The Mason-Lite Regal Fireplace is a decorative supplemental heat source designed for use with only:

- Solid Wood Logs or approved processed solid wood fuel logs
- Plumbed LPG or Natural Gas Log Lighter.
- Plumbed ANSI Z21.60 Decorative Gas Log appliance.

The Mason-Lite Regal Fireplace is not intended as a primary means of heating and cannot substitute for a home furnace.

The Mason-Lite Regal fireplaces and chimney systems are designed to be installed indoor or outdoor. The Mason-Lite Regal fireplace and chimney systems are intended for installation in residential homes and other buildings of conventional construction.

Any application other than the "Intended Use" as stated above is in violation of the manufacturer's instructions and is hereby prohibited. Such violation may cause immediate hazard, property damage or loss of life and will void all liabilities to the manufacturer and will void all warranties explicit or implied.

OPERATIONAL INFORMATION:

For solid fuel, use only properly dried cord wood or processed solid wood fuel fire logs. When using processed solid fuel fire logs, do not poke or stir the logs during burning. Use only processed solid fuel fire logs that have been evaluated for fireplace application. Follow all package instructions and warnings.

Do not store or use any flammable materials (solid, liquid or vapor) such as gasoline in the vicinity of this or any other open flame appliance.

Due to high temperatures during operation, this fireplace appliance should be located out of traffic and away from furniture and draperies. Do not place clothing, furniture or other flammable materials on or near the appliance.

When using an approved gas fire feature appliance with this fireplace, follow the gas appliance manufacturer's installation, safety and operational instructions.

Never leave children unattended when a fire is burning in the fireplace.

FOR YOUR SAFETY

- **Do not store or use gasoline or any other flammable vapors or liquids in the vicinity of this or any other appliance.**
- **Due to high temperatures, the appliance should be located out of traffic and away from furniture and draperies.**
- **Do not place clothing or other flammable materials on or near the appliance.**
- **Never leave children unattended when a fire is burning in the fireplace.**

PARTS LIST (Combustible & Non-Combustible Floor)

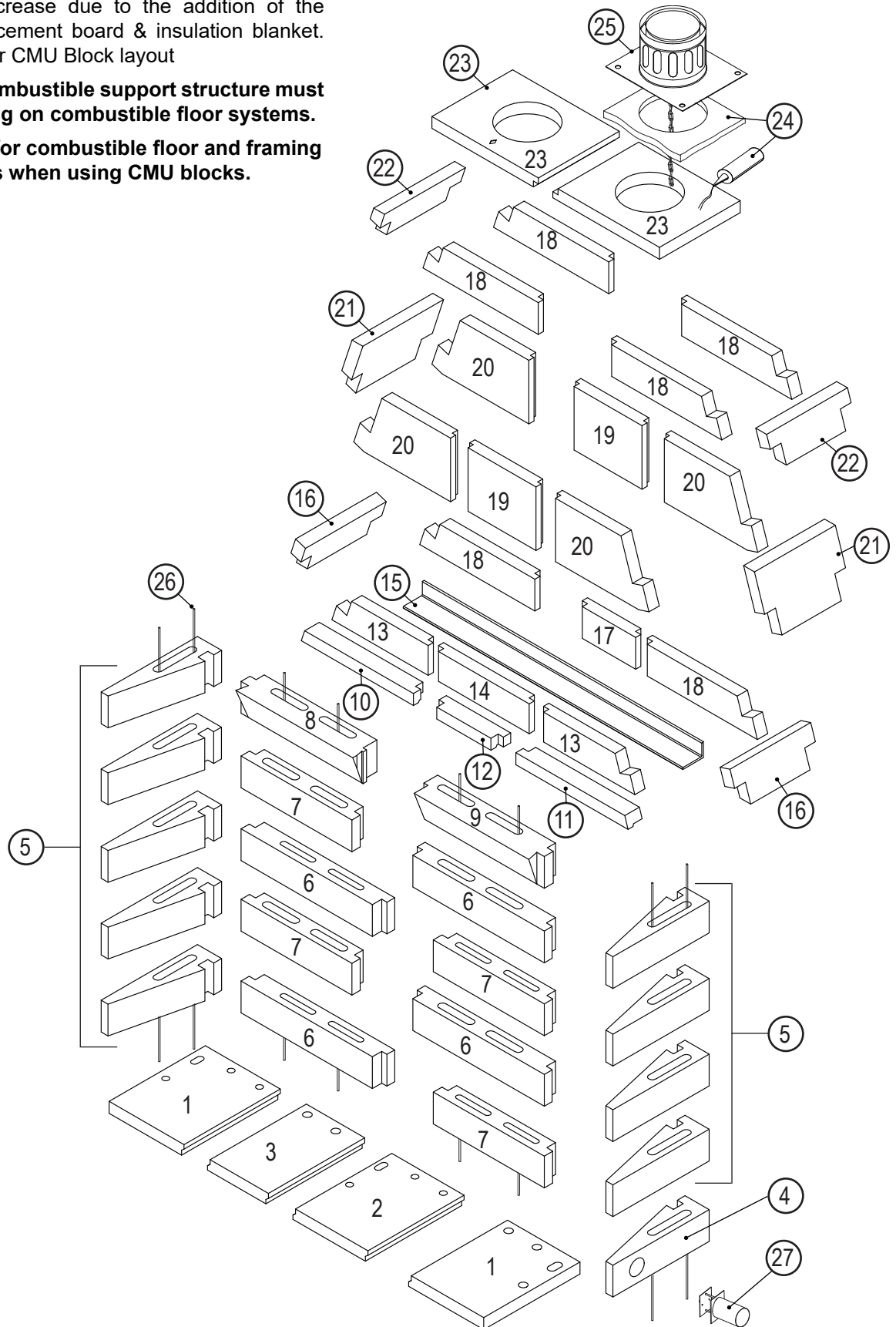
MFP72-RGL FIREBOX PARTS LIST:

Note: If your installation is on combustible floor, the total fireplace height will increase due to the addition of the required CMU blocks, cement board & insulation blanket.

NOTE: See **page 43**, for CMU Block layout

Only approved non-combustible support structure must be used when installing on combustible floor systems.

See Pages 24 thru 27 for combustible floor and framing anchoring illustrations when using CMU blocks.



PARTS LIST (Combustible & Non-Combustible Floor) *Continued*

MFP72-RGL FIREBOX PARTS LIST:

ITEM	P/N	Description	QTY
1	MFP39-1	Hearth, Left or Right	2
2	MFP39-1A	Hearth, Middle Left	1
3	MFP72-1	Hearth, Middle Right	1
4	MFP49-3A	Side Wall W/Ø4	1
5	MFP49-3	Side Wall	9
6	MFP72-2	Rear Wall	4
7	MFP39-2	Rear Wall	4
8	MFP72-4L	Smoke Shelf Left (Draft Diverter)	1
9	MFP72-4R	Smoke Shelf Right(Draft Diverter)	1
10	MFP84-6AL	Lintel, Front Left	1
11	MFP84-6AR	Lintel, Front Right	1
12	MFP108-6AM	Lintel, Front Middle	1
13	MFP84-6	Lintel Left/Right	2
14	MFP84-6M	Lintel Middle	1
15	NOT SUPPLIED ²	Angle Iron 6" x 4" 1/2" x 81-1/4"	1
16	MFP49-7A	Dome, Side - Lower	2
17	MFP72-5M	Lower Dome Rear Center	1
18	MFP72-5S	Lower Dome Rear Side	6
19	MFP96-10M	Middle Dome Center Front-Rear	2
20	MFP108-10S	Middle Dome Side	4
21	MFP49-8	Dome, Side, Upper	2
22	MFP49-7(B)	Dome Side Top	2
23	MFP72-9	Dome Top	2
24	NOT SUPPLIED ²	Anchor Plate Insulation or High-Temperature Sealant	2
25	SOLD SEPARATELY ¹	14 Inch Damper/Anchor Plate	2
26	REBAR	#3 Rebar (Ø3/8") X 40"	8
27	MFP4-AK-M ¹	Outside Air Kit, 4" Dia	1
FOR COMBUSTIBLE FLOOR SYSTEMS (Not shown)			
28	NOT SUPPLIED ²	CMU Blocks 8" x 8" x 16"	12
29	NOT SUPPLIED ²	1" Fiberglass Insulation Blanket	2
30	NOT SUPPLIED ²	Cement Board	2
31	NOT SUPPLIED ²	Assy, Floor Joist Brace	24
32	NOT SUPPLIED ²	Allthread 1/2-13 X 12"	10
33	NOT SUPPLIED ²	Allthread 1/2-13 X 10"	14
34	NOT SUPPLIED ²	1/2-13 Unc Hex Nut	48

NOTE:

¹ITEMS NOTED ARE SOLD SEPARATELY.

²ITEMS INDICATED AS "NOT SUPPLIED" CAN BE OBTAINED FROM YOUR LOCAL HARDWARE STORE.

PARTS LIST (Combustible & Non-Combustible Floor) *Continued*

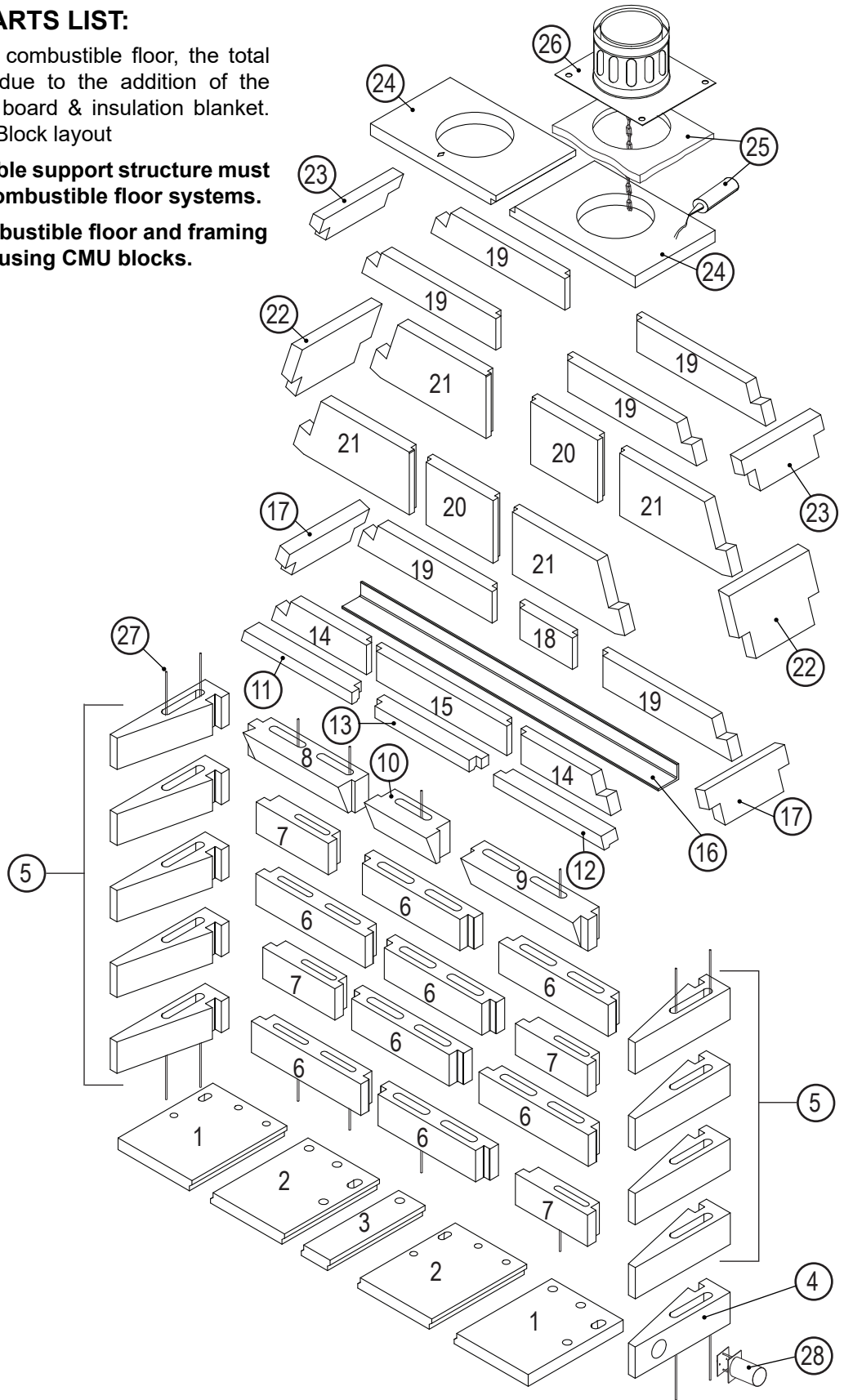
MFP84-RGL FIREBOX PARTS LIST:

Note: If your installation is on combustible floor, the total fireplace height will increase due to the addition of the required CMU blocks, cement board & insulation blanket.

NOTE: See **page 43**, for CMU Block layout

Only approved non-combustible support structure must be used when installing on combustible floor systems.

See Pages 24 thru 27 for combustible floor and framing anchoring illustrations when using CMU blocks.



PARTS LIST (Combustible & Non-Combustible Floor) *Continued*

MFP84-RGL FIREBOX PARTS LIST:

ITEM	P/N	Description	QTY
1	MFP39-1	Hearth, Left or Right	2
2	MFP39-1A	Hearth, Middle Left/Right	1
3	MFP84-1	Hearth Filler	1
4	MFP49-3A	Side Wall W/Ø4	1
5	MFP49-3	Side Wall	9
6	MFP39-2	Rear Wall	4
7	MFP84-2	Rear Wall	4
8	MFP84-4L	Downdraft Diverter LH	1
9	MFP84-4R	Downdraft Diverter RH	1
10	MFP84-4M	Downdraft Diverter Middle	1
11	MFP84-6AL	Lintel, Front Left	1
12	MFP84-6AR	Lintel, Front Right	1
13	MFP108-6AM	Lintel, Front Middle	2
14	MFP84-6	Lintel Left/Right	1
15	MFP84-6M	Lintel Middle	1
16	NOT SUPPLIED ²	Angle Iron 6" x 4" 1/2" x 93-1/4"	1
17	MFP49-7A	Dome, Side - Lower	2
18	MFP84-5M	Lower Dome Rear Center	2
19	MFP84-5S	Lower Dome Rear Side	6
20	MFP96-10M	Middle Dome Center Front-Rear	2
21	MFP108-10S	Middle Dome Side	4
22	MFP49-8	Dome, Side, Upper	2
23	MFP49-7(B)	Dome Side Top	2
24	MFP84-9T	Dome Top	2
25	NOT SUPPLIED ²	Anchor Plate Insulation or High-Temperature Sealant	2
26	SOLD SEPARATELY ¹	14 Inch Damper/Anchor Plate	2
27	REBAR	#3 Rebar (Ø3/8") X 40"	8
28	MFP4-AK-M ¹	Outside Air Kit, 4" Dia	1
FOR COMBUSTIBLE FLOOR SYSTEMS (Not shown)			
29	NOT SUPPLIED ²	CMU Blocks 8" x 8" x 16"	14
30	NOT SUPPLIED ²	1" Fiberglass Insulation Blanket	2
31	NOT SUPPLIED ²	Cement Board	2
32	NOT SUPPLIED ²	Assy, Floor Joist Brace	24
33	NOT SUPPLIED ²	Allthread 1/2-13 X 12"	10
34	NOT SUPPLIED ²	Allthread 1/2-13 X 10"	14
35	NOT SUPPLIED ²	1/2-13 Unc Hex Nut	48

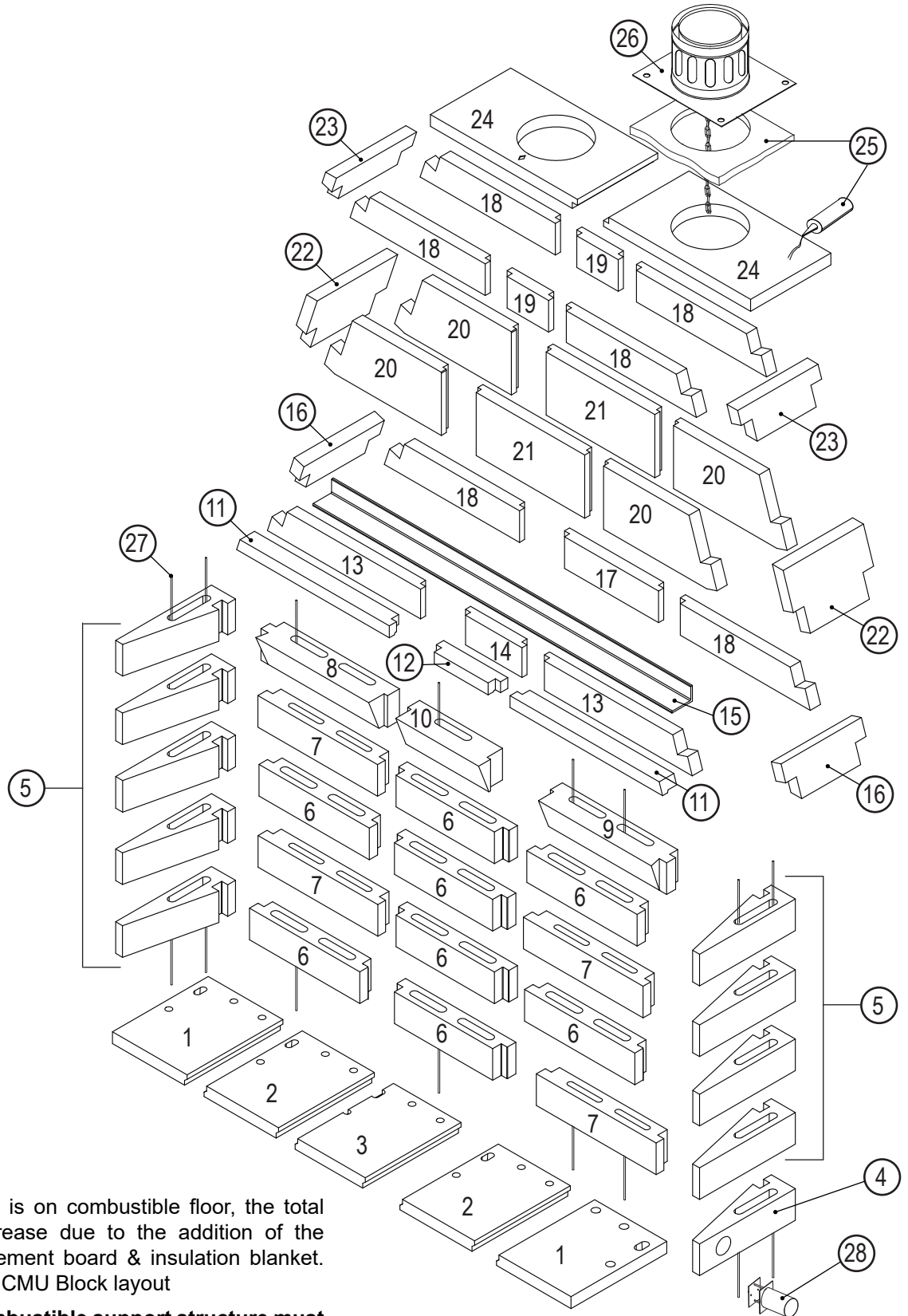
NOTE:

¹ITEMS NOTED ARE SOLD SEPARATELY.

²ITEMS INDICATED AS "NOT SUPPLIED" CAN BE OBTAINED FROM YOUR LOCAL HARDWARE STORE.

PARTS LIST (Combustible & Non-Combustible Floor) *Continued*

MFP96-RGL FIREBOX PARTS LIST:



Note: If your installation is on combustible floor, the total fireplace height will increase due to the addition of the required CMU blocks, cement board & insulation blanket.
NOTE: See *page 43*, for CMU Block layout

Only approved non-combustible support structure must be used when installing on combustible floor systems.

See Pages 24 thru 27 for combustible floor and framing anchoring illustrations when using CMU blocks.

PARTS LIST (Combustible & Non-Combustible Floor) *Continued*

MFP96-RGL FIREBOX PARTS LIST:

ITEM	P/N	Description	QTY
1	MFP39-1	Hearth, Left or Right	2
2	MFP39-1A	Hearth, Middle Left/Right	2
3	MFP96-1	Hearth Filler	1
4	MFP49-3A	Side Wall W/Ø4	1
5	MFP49-3	Side Wall	9
6	MFP39-2	Rear Wall	8
7	MFP96-2S	Rear Wall	4
8	MFP96-4L	Downdraft Diverter LH	1
9	MFP96-4R	Downdraft Diverter RH	1
10	MFP96-4M	Downdraft Diverter Middle	1
11	MFP108-6A	Lintel, Front Left/Right	1
12	MFP96-6AM	Lintel, Front Middle	1
13	MFP108-6	Lintel Left/Right	2
14	MFP96-6M	Lintel Middle	1
15	NOT SUPPLIED ²	Angle Iron 6" x 4" 1/2" x 105-1/4"	1
16	MFP49-7A	Dome, Side - Lower	2
17	MFP96-5MA	Lower Dome Rear Center	1
18	MFP108-5S	Lower Dome Rear Side	6
19	MFP96-5M	Lower Dome Rear-Front Center	2
20	MFP108-10S	Middle Dome Side	4
21	MFP96-10M	Middle Dome Center Front-Rear	4
22	MFP49-8	Dome, Side, Upper	2
23	MFP49-7(B)	Dome Side Top	2
24	MFP96-9T	Dome Top	2
25	NOT SUPPLIED ²	Anchor Plate Insulation or High-Temperature Sealant	2
26	SOLD SEPARATELY ¹	14 Inch Damper/Anchor Plate	2
27	REBAR	#3 Rebar (Ø3/8") X 40"	8
28	MFP4-AK-M ¹	Outside Air Kit, 4" Dia	1
————— FOR COMBUSTIBLE FLOOR SYSTEMS ————— (Not shown)			
29	NOT SUPPLIED ²	CMU Blocks 8" x 8" x 16"	14
30	NOT SUPPLIED ²	1" Fiberglass Insulation Blanket	2
31	NOT SUPPLIED ²	Cement Board	2
32	NOT SUPPLIED ²	Assy, Floor Joist Brace	24
33	NOT SUPPLIED ²	Allthread 1/2-13 X 12"	10
34	NOT SUPPLIED ²	Allthread 1/2-13 X 10"	14
35	NOT SUPPLIED ²	1/2-13 Unc Hex Nut	48

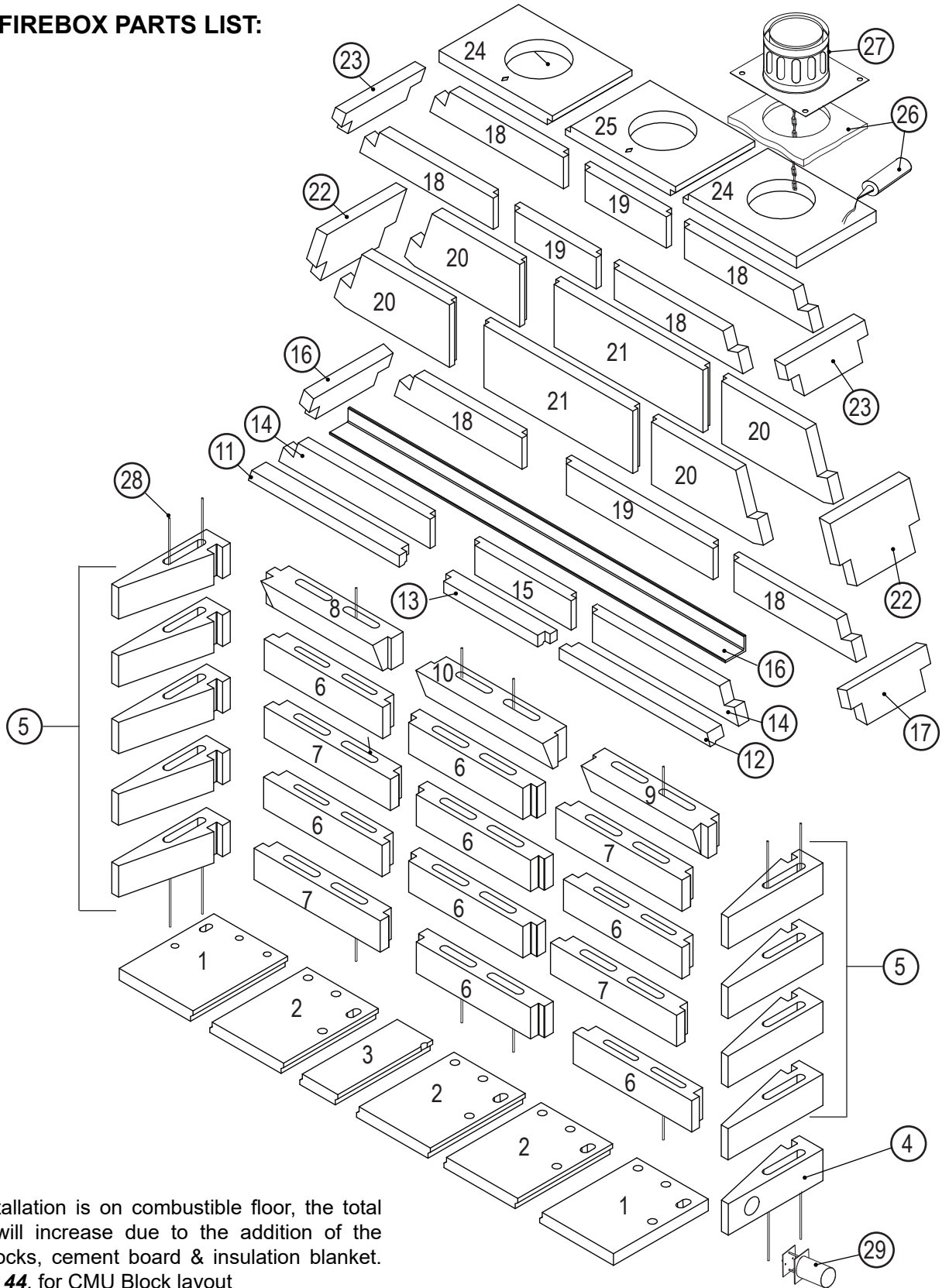
NOTE:

¹ITEMS NOTED ARE SOLD SEPARATELY.

²ITEMS INDICATED AS "NOT SUPPLIED" CAN BE OBTAINED FROM YOUR LOCAL HARDWARE STORE.

PARTS LIST (Combustible & Non-Combustible Floor) *Continued*

MFP108-RGL FIREBOX PARTS LIST:



Note: If your installation is on combustible floor, the total fireplace height will increase due to the addition of the required CMU blocks, cement board & insulation blanket.
NOTE: See *page 44*, for CMU Block layout

Only approved non-combustible support structure must be used when installing on combustible floor systems.

See Pages 24 thru 27 for combustible floor and framing anchoring illustrations when using CMU blocks.

PARTS LIST (Combustible & Non-Combustible Floor) *Continued*

MFP108-RGL FIREBOX PARTS LIST:

ITEM	P/N	Description	QTY
1	MFP39-1	Hearth, Left or Right	2
2	MFP39-1A	Hearth, Middle Left/Right	3
3	MFP108-1	Hearth Filler	1
4	MFP49-3A	Side Wall W/Ø4	1
5	MFP49-3	Side Wall	9
6	MFP44-2	Rear Wall	8
7	MFP108-2-R/L	Rear Wall	4
8	MFP108-4L	Downdraft Diverter LH	1
9	MFP108-4R	Downdraft Diverter RH	1
10	MFP108-4M	Downdraft Diverter Middle	1
11	MFP108-6AL	Lintel, Front Left	1
12	MFP108-6AR	Lintel, Front Right	1
13	MFP108-6AM	Lintel, Front Middle	1
14	MFP108-6	Lintel Left/Right	2
15	MFP108-6M	Lintel Middle	1
16	NOT SUPPLIED ²	Angle Iron 6" x 4" 1/2" x 108-1/4"	1
17	MFP49-7A	Dome, Side - Lower	2
18	MFP108-5S	Lower Dome Rear Side	3
19	MFP108-5M	Lower Dome Rear Center	6
20	MFP108-10S	Middle Dome Side	4
21	MFP108-10M	Middle Dome Center Front-Rear	2
22	MFP49-8	Dome, Side, Upper	2
23	MFP49-7(B)	Dome Side Top	2
24	MFP108-9S	Dome Top Side L/R	2
25	MFP108-9	Dome Top Middle	1
26	NOT SUPPLIED ²	Anchor Plate Insulation or High-Temperature Sealant	3
27	SOLD SEPARATELY ¹	14 Inch Damper/Anchor Plate	3
28	REBAR	#3 Rebar (Ø3/8") X 40"	8
29	MFP4-AK-M ¹	Outside Air Kit, 4" Dia	1
FOR COMBUSTIBLE FLOOR SYSTEMS (Not shown)			
30	NOT SUPPLIED ²	CMU Blocks 8" x 8" x 16"	16
31	NOT SUPPLIED ²	1" Fiberglass Insulation Blanket	2
32	NOT SUPPLIED ²	Cement Board	2
33	NOT SUPPLIED ²	Assy, Floor Joist Brace	24
34	NOT SUPPLIED ²	Allthread 1/2-13 X 12"	10
35	NOT SUPPLIED ²	Allthread 1/2-13 X 10"	14
36	NOT SUPPLIED ²	1/2-13 Unc Hex Nut	48

NOTE:

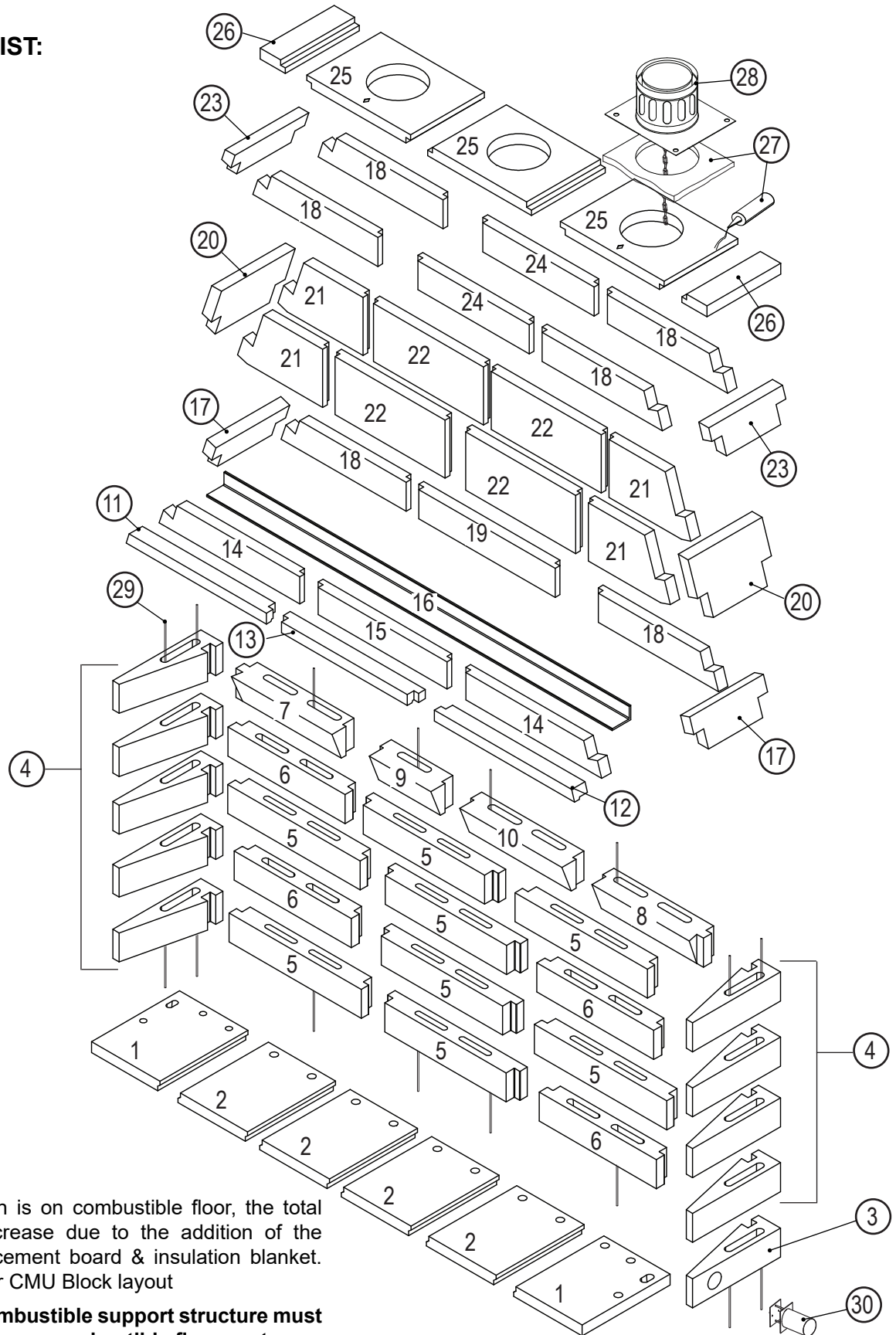
¹ITEMS NOTED ARE SOLD SEPARATELY.

²ITEMS INDICATED AS "NOT SUPPLIED" CAN BE OBTAINED FROM YOUR LOCAL HARDWARE STORE.

PARTS LIST (Combustible & Non-Combustible Floor) *Continued*

MFP120-RGL

FIREBOX PARTS LIST:



Note: If your installation is on combustible floor, the total fireplace height will increase due to the addition of the required CMU blocks, cement board & insulation blanket.

NOTE: See *page 44*, for CMU Block layout

Only approved non-combustible support structure must be used when installing on combustible floor systems.

See Pages 24 thru 27 for combustible floor and framing anchoring illustrations when using CMU blocks.

PARTS LIST (Combustible & Non-Combustible Floor) *Continued*

MFP120-RGL

FIREBOX PARTS LIST:

ITEM	P/N	Description	QTY
1	MFP39-1	Hearth, Left or Right	2
2	MFP120-1	Hearth, Middle	4
3	MFP49-3A	Side Wall W/Ø4	1
4	MFP49-3	Side Wall	9
5	MFP44-2	Rear Wall	4
6	MFP49-2	Rear Wall	8
7	MFP120-4L	Downdraft Diverter LH	1
8	MFP120-4R	Downdraft Diverter RH	1
9	MFP108-4ML	Downdraft Diverter Middle Left	1
10	MFP108-4MR	Downdraft Diverter Middle Right	1
11	MFP120-6AL	Lintel, Front Left	1
12	MFP120-6AR	Lintel, Front Right	1
13	MFP120-6AM	Lintel, Front Middle	1
14	MFP120-6	Lintel Left/Right	2
15	MFP120-6M	Lintel Middle	1
16	NOT SUPPLIED ²	Angle Iron 6" x 4" x 1/2" x 129-1/4"	1
17	MFP49-7A	Dome, Side - Lower	2
18	LMFP120-5	Lower Dome Rear	6
19	MFP120-5MS	Lower Dome Rear Center	2
20	MFP120-5ML	Lower Dome Center	1
21	MFP120-10M	Middle Dome Center Front-Rear	4
22	MFP120-10S	Middle Dome Side	4
23	MFP49-8	Dome, Side, Upper	2
24	MFP49-7(B)	Dome Side Top	2
25	MFP120-9S	Dome Top Side L/R	2
26	MFP120-9	Dome Top Middle	3
27	NOT SUPPLIED ²	Anchor Plate Insulation or High-Temperature Sealant	3
28	SOLD SEPARATELY ¹	14 Inch Damper/Anchor Plate	3
29	REBAR	#3 Rebar (Ø3/8") X 40"	8
30	MFP4-AK-M ¹	Outside Air Kit, 4" Dia	1
FOR COMBUSTIBLE FLOOR SYSTEMS (Not shown)			
31	NOT SUPPLIED ²	CMU Blocks 8" x 8" x 16"	18
32	NOT SUPPLIED ²	1" Fiberglass Insulation Blanket	2
33	NOT SUPPLIED ²	Cement Board	2
34	NOT SUPPLIED ²	Assy, Floor Joist Brace	24
35	NOT SUPPLIED ²	Allthread 1/2-13 X 12"	10
36	NOT SUPPLIED ²	Allthread 1/2-13 X 10"	14
37	NOT SUPPLIED ²	1/2-13 Unc Hex Nut	48

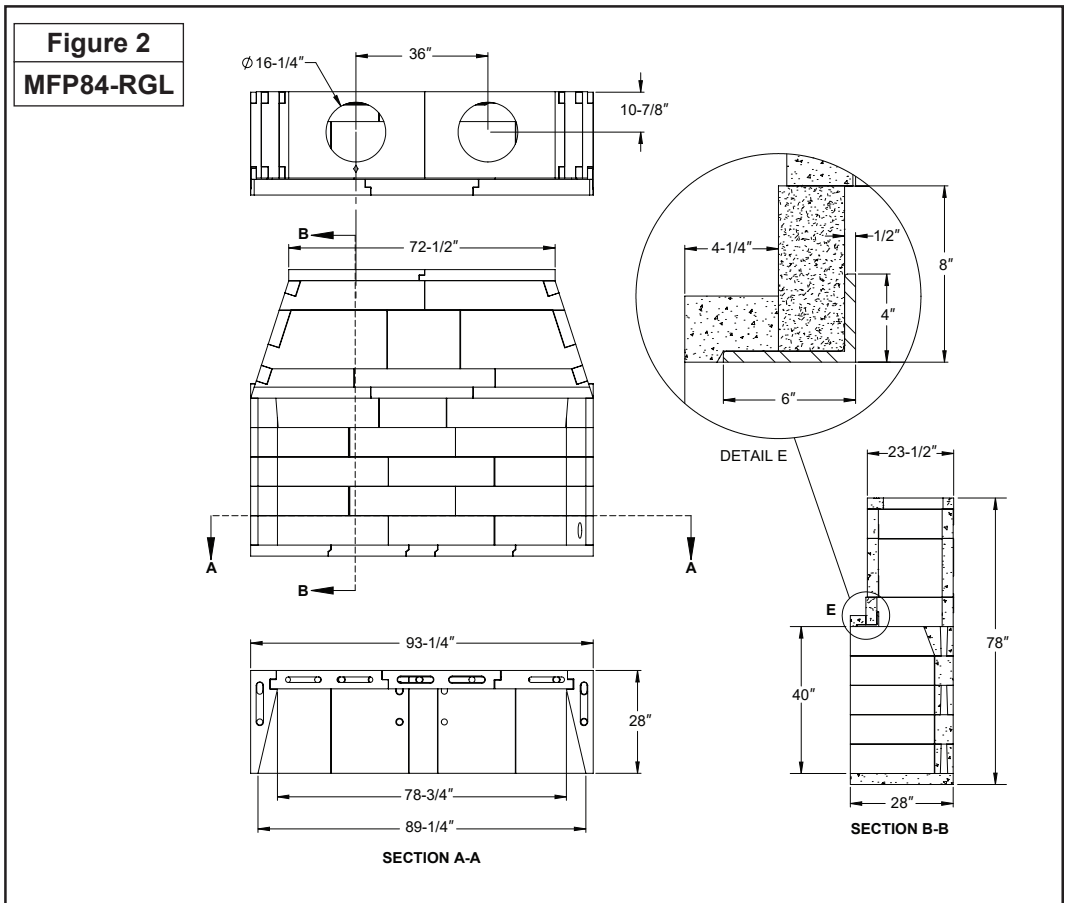
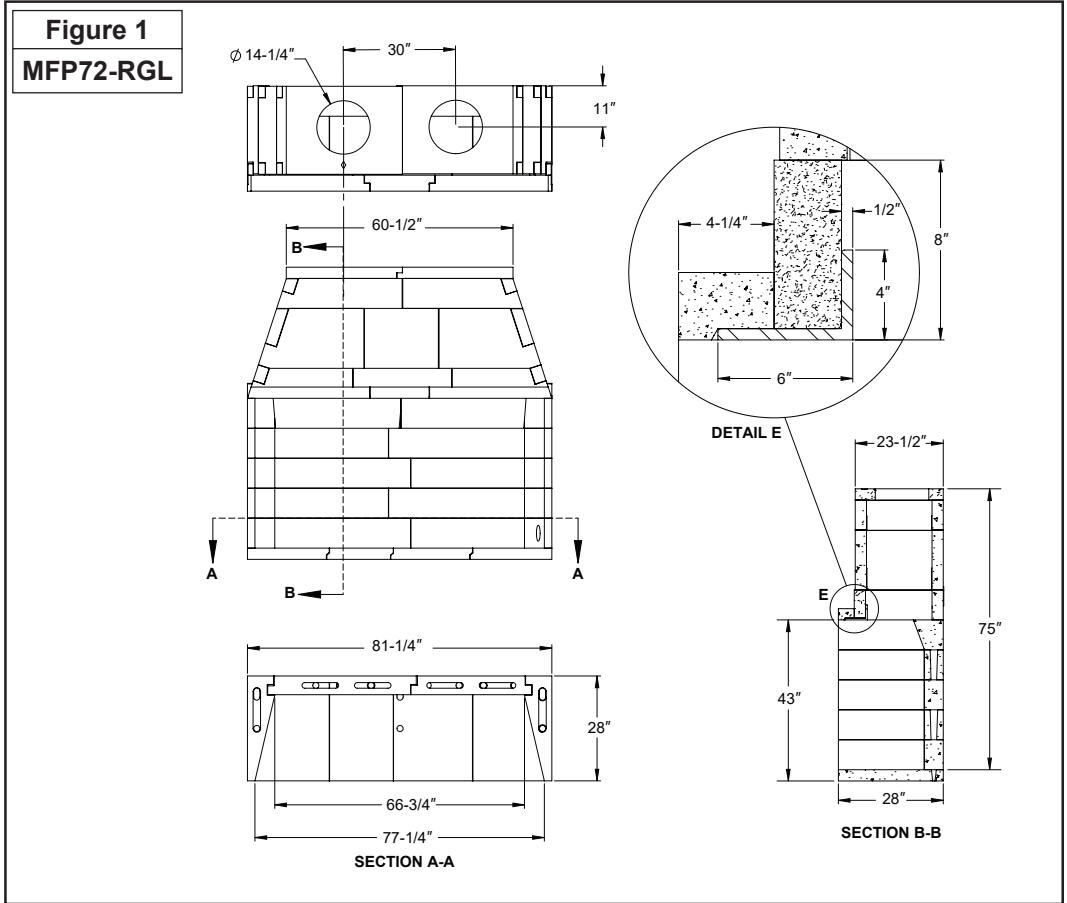
NOTE:

¹ ITEMS NOTED ARE SOLD SEPARATELY.

² ITEMS INDICATED AS "NOT SUPPLIED" CAN BE OBTAINED FROM YOUR LOCAL HARDWARE STORE.

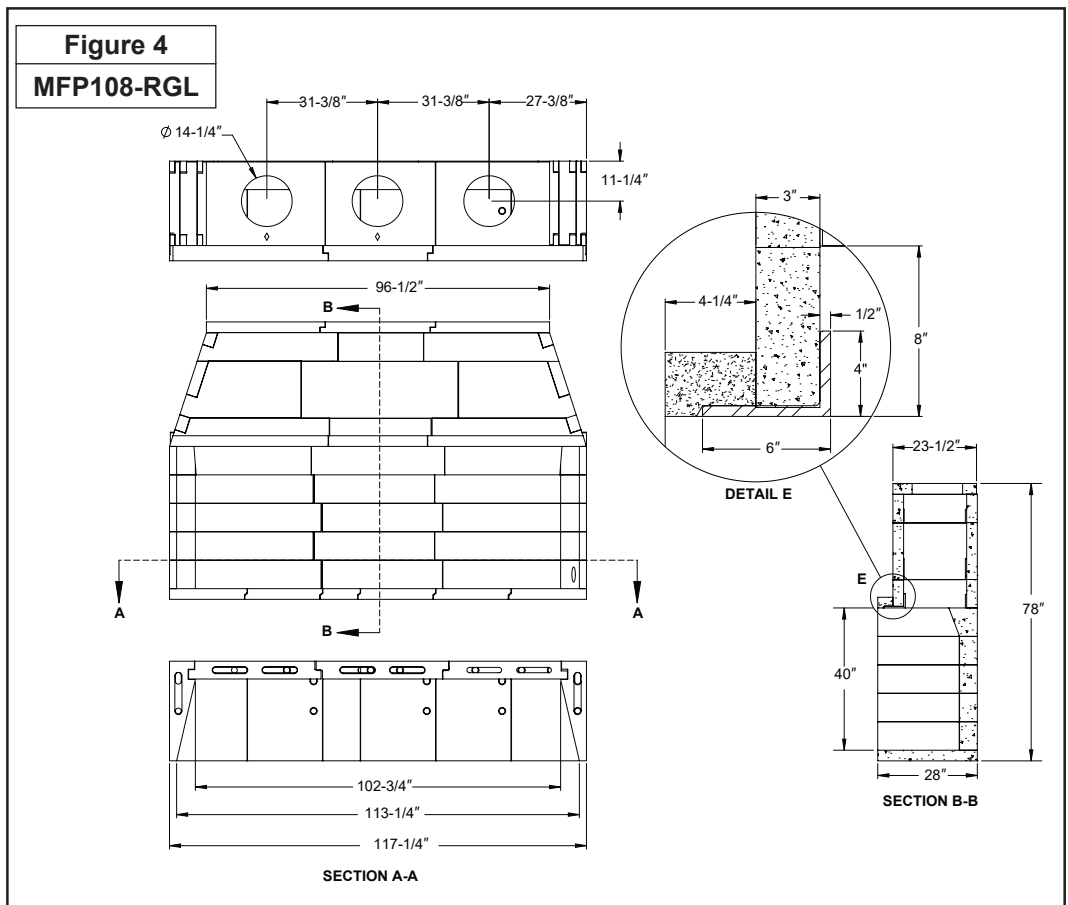
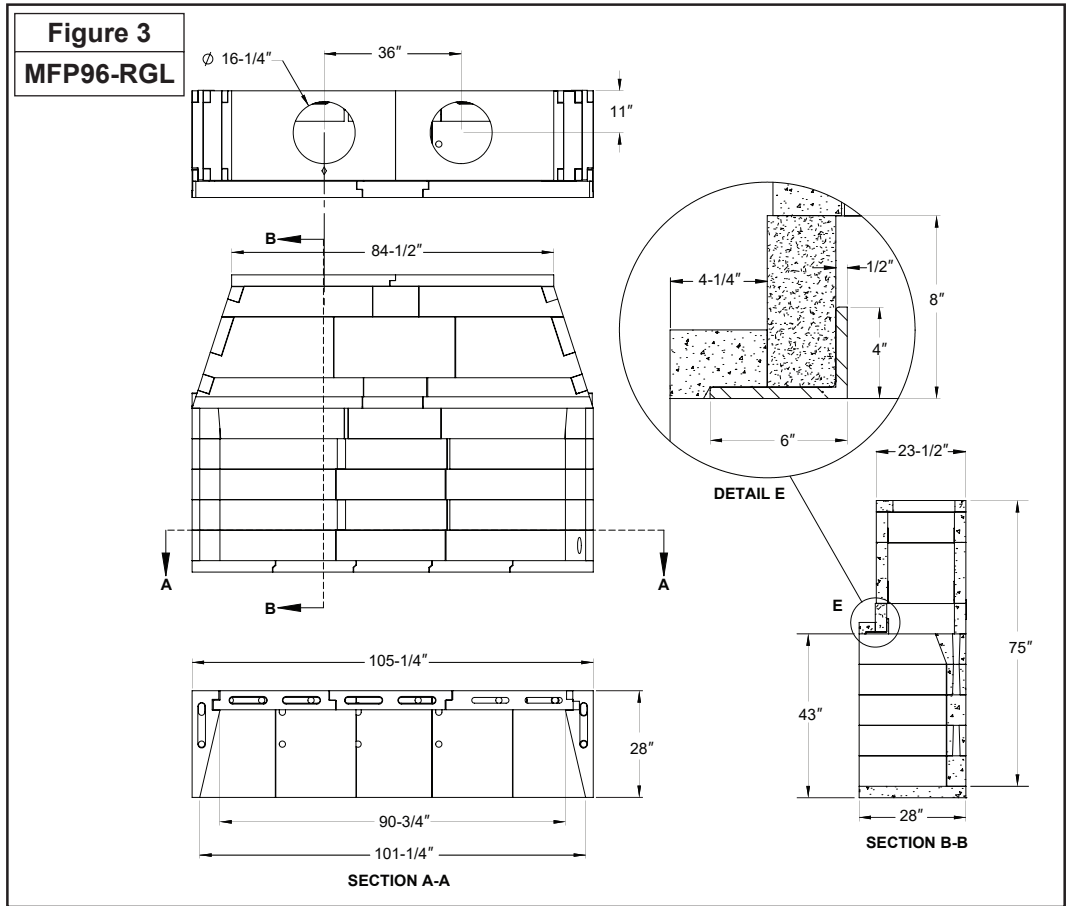
FIREBOX DIMENSIONS

- All dimensions are in inches.
- All vertical dimensions are dry stack minimum. Mortar thickness may add up to 1 inch to the overall height.
- Firebrick lining not shown.



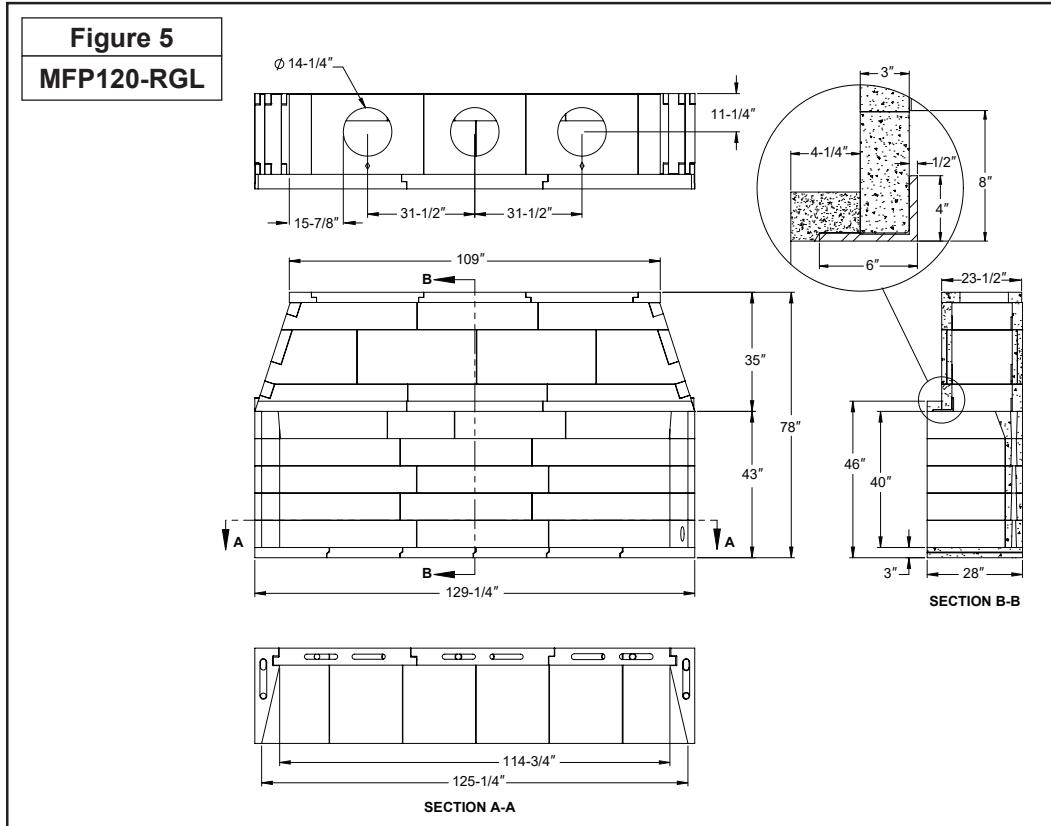
FIREBOX DIMENSIONS *Continued*

- All dimensions are in inches.
- All vertical dimensions are dry stack minimum. Mortar thickness may add up to 1 inch to the overall height.
- Firebrick lining not shown.



FIREBOX DIMENSIONS *Continued*

- All dimensions are in inches.
- All vertical dimensions are dry stack minimum. Mortar thickness may add up to 1 inch to the overall height.
- Firebrick lining not shown.



PRODUCT OVERVIEW

INTRODUCTION

Thank you for your purchase. We appreciate your business!

Please read and understand these instructions before installing or operating.

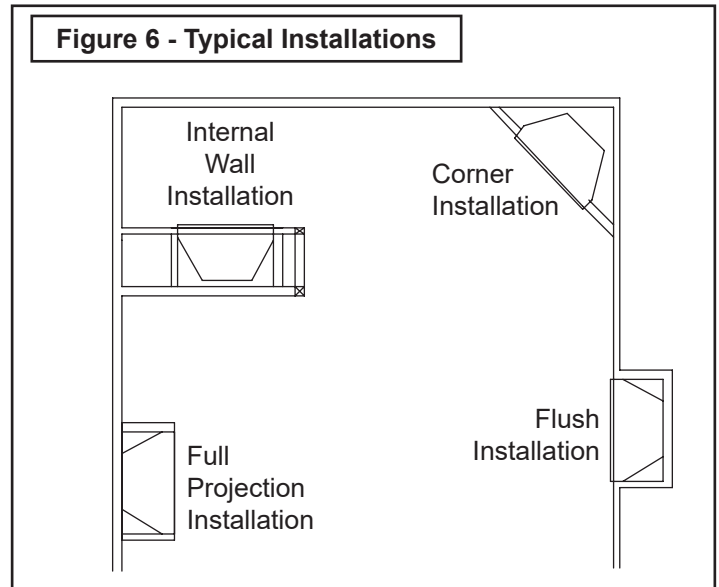
PRODUCT OVERVIEW

Mason-Lite Fireplaces are designed as factory-built blocks to be assembled on-site and install on suitable combustible or non-combustible floors.

Construction/Assembly Phases of a Mason-Lite Fireplace:

- Planning and Site Selection
- Foundation or supporting Structure Preparation
- Firebox Assembly
- Venting Assembly

Careful step-by-step instructions for each phase of the Instructions for each phase of the installation procedure and operation of the Mason-Lite fireplace is detailed in this manual. The installer and homeowner is required to understand and comply with all information contained in this manual.



ATTENTION: all illustrations in this manual are for general reference only. Do not scale drawings. Actual design elements will vary from case to case.

PFS-TECO Corporation is the testing and listing agency for Mason-Lite fireplaces.

ATTENTION: A residential building permit may be required to install a Mason-Lite Fireplace. Consult local jurisdictions before starting.

Note to Local Authorities and Inspectors: The Mason-Lite Fireplaces are designed for installation per the National Fire Protection Association Standard for Chimneys, Fireplaces, Vents and Solid Fuel-Burning Appliances (NFPA211).

PRE-INSTALLATION

SELECTING LOCATION

To determine the safest and most efficient location for the fireplace, consider the following:

1. The location must allow for proper clearances (see **Figures 7, 8, 9, 10, 11 and 12**).
2. Select a location where fireplace will not be affected by drafts, air conditioning ducts, windows or doors.
3. Position fireplace to avoid cutting of joists or roof rafters.
4. Plan for combustion air inlet. (see page 28 for details).

CLEARANCES

Understanding Clearance to Combustibles

Considerable heat can build up on the outside surface of fireplaces. Minimum clearance to combustibles must be maintained.

Clearances To Combustibles

The distance to be maintained from the surfaces of the fireplace to combustibles must be observed. Below is a list of the most common combustible materials to name a few:

Drywall	Wood Flooring	Plywood
Sub-Flooring	Wood Framing	Mill Board
Particle Board	Plywood Paneling	

Maintain the following clearances:

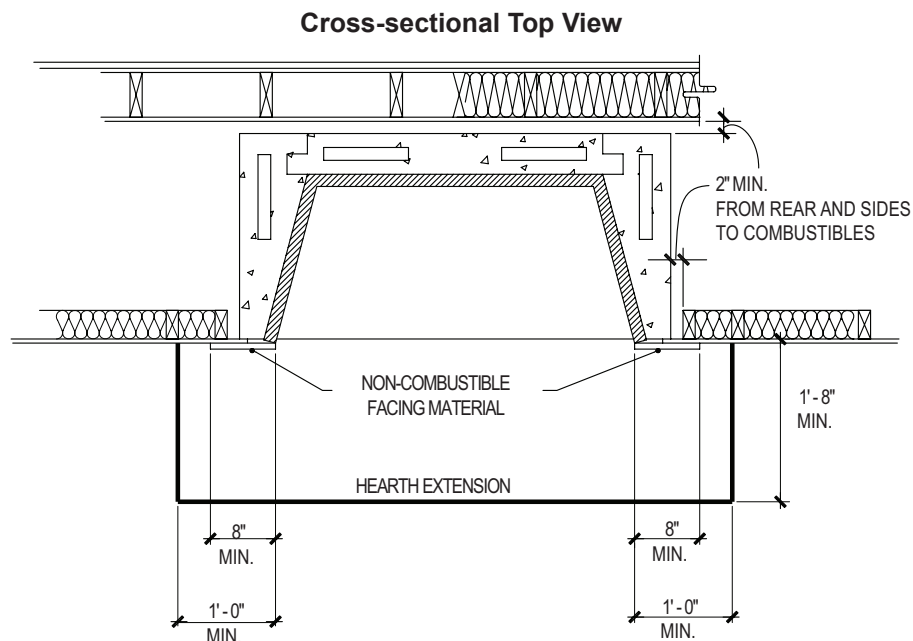
- Unit sides, rear, Dome sides, rear & top: 2" (51 mm)
- Combustible Floors: 8" (203 mm)
- Combustible Sheathing above of face opening top: 38" (965 mm)
- Sheathing or trim to face opening sides: 8" (203 mm)
- Mantel above face opening: (see Fig.11)
- Face opening to adjacent sidewall: 24" (610 mm)
- Hearth extension beyond front: 20" (508 mm)
- Hearth extension beyond sides of face: 12" (305 mm)
- Insulation from firebox: 2" (51 mm)

FIREBOX FRAMING & CLEARANCES

⚠ WARNING

Failure to position the parts in accordance with these diagrams or failure to use only parts specifically approved with this appliance may result in property damage or personal injury.

Figure 7



PRE-INSTALLATION *Continued*

Figure 8

Fireplace Framing Dimensions: Non-Combustible Floor Systems

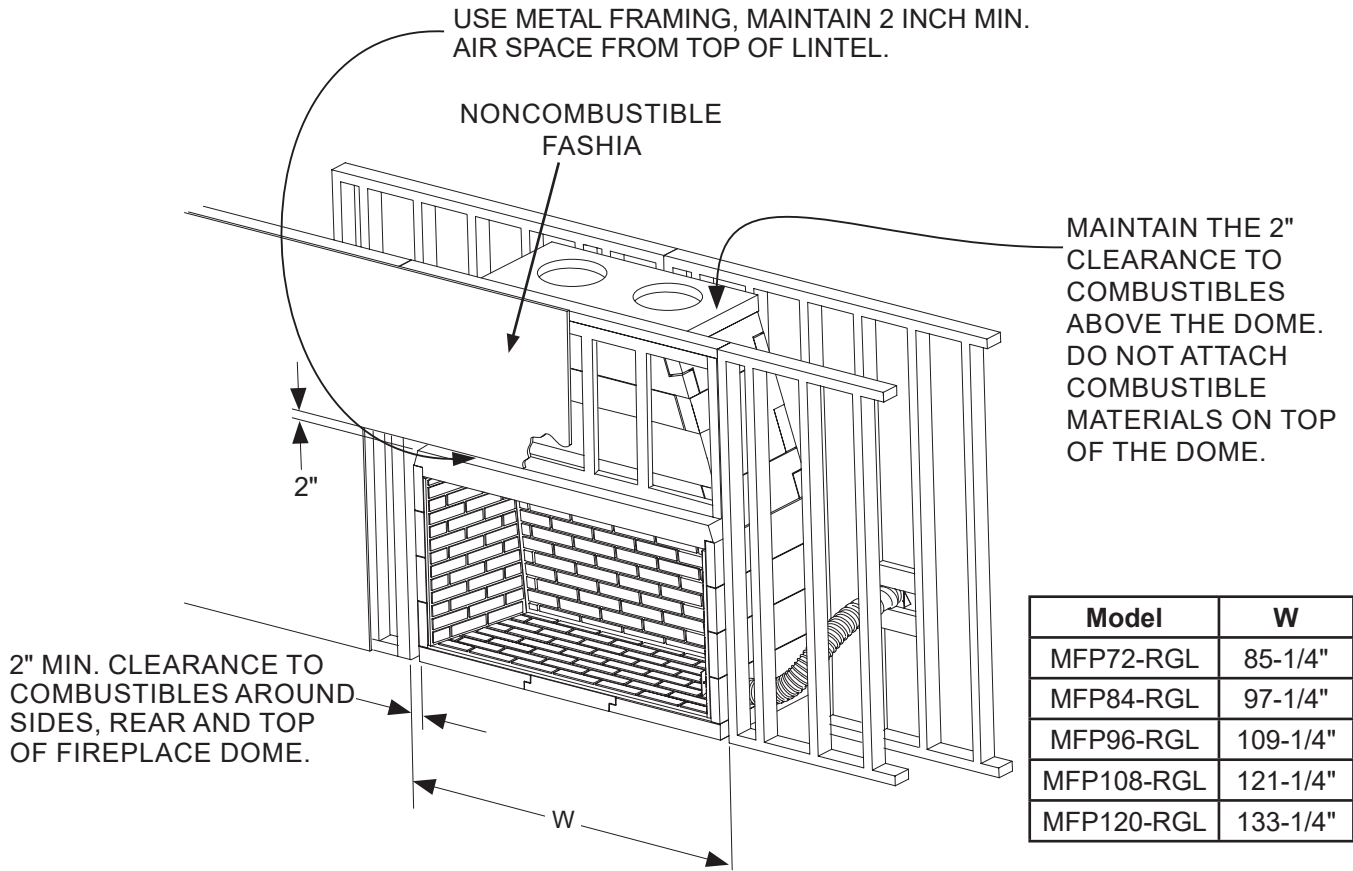
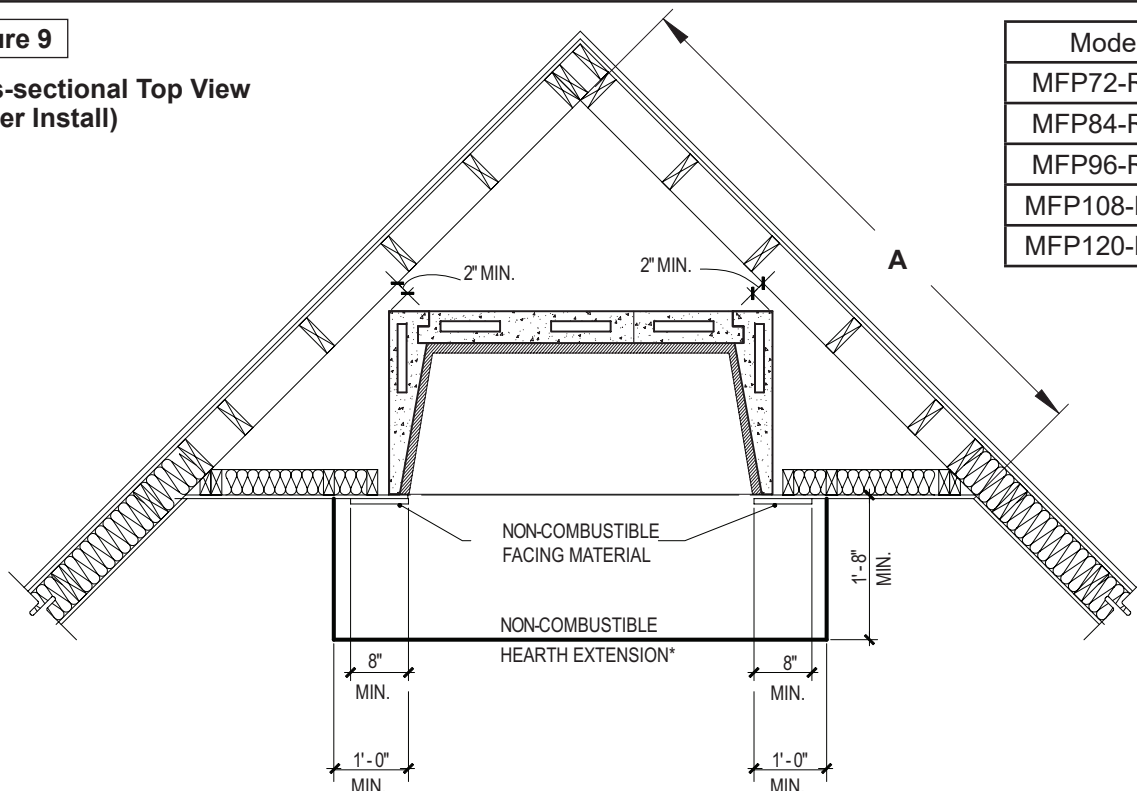


Figure 9

Cross-sectional Top View (Corner Install)



Model	A
MFP72-RGL	101"
MFP84-RGL	109-1/2"
MFP96-RGL	118"
MFP108-RGL	126-1/2"
MFP120-RGL	135"

Figure 10

Non-Combustible Floor Systems

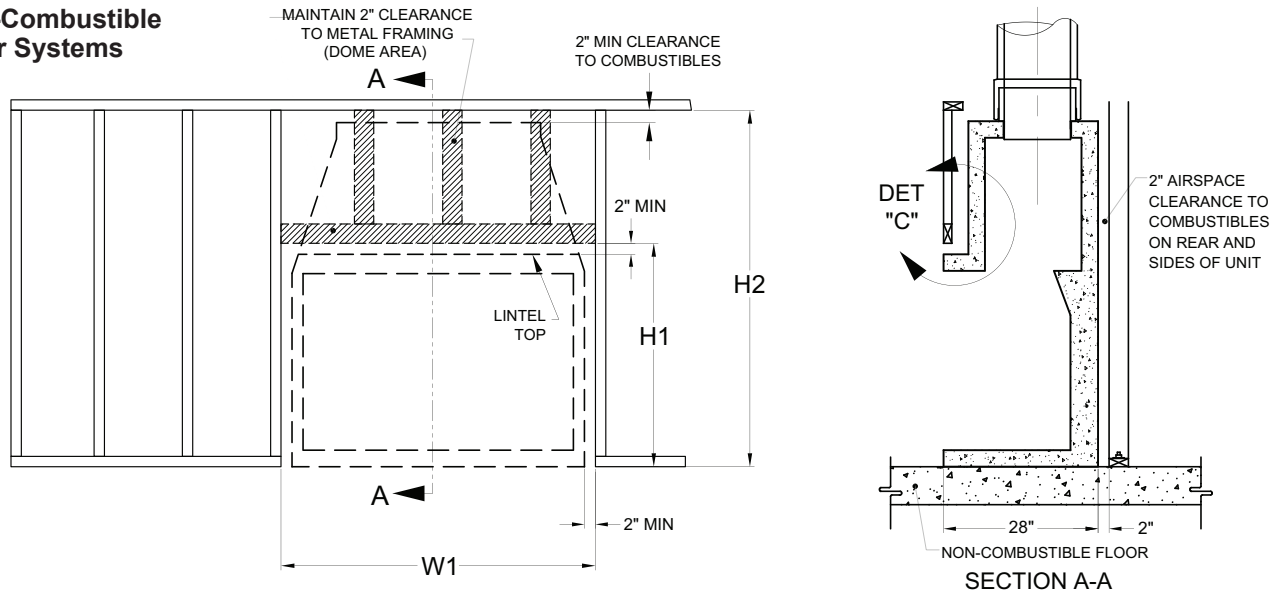


Figure 11

Combustible Floor Systems

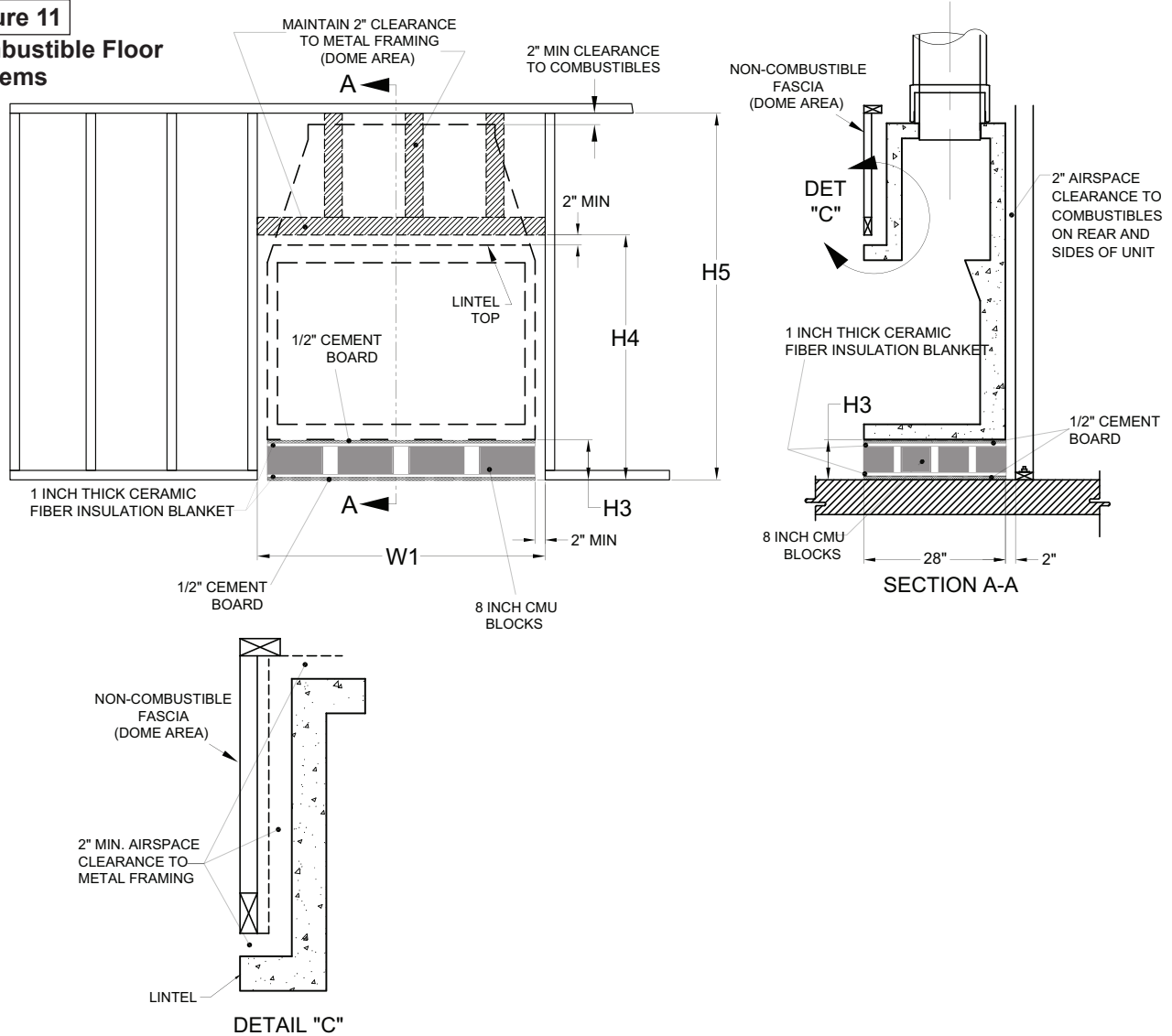
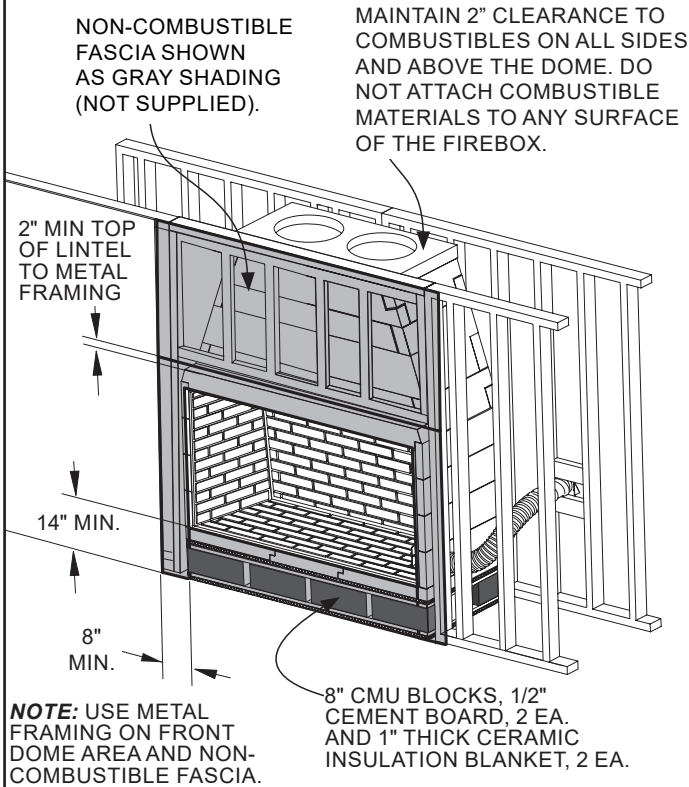


Figure 12



Where the flooring material in front of the opening of the fireplace is combustible, it is required that the hearth extension be covered with 1" thickness of micore® board (or equivalent) and a non-combustible material. The extension should be set flush against the front of the fireplace front and measure 20" minimum at the front (1'-8" min.) and 12" minimum (1'-0" min.) beyond the sides of the fireplace opening as shown in **Figures 7 and 9**, pages 20 and 21.

If a raised hearth extension is being installed, it must be constructed of non-combustible material and any material under the structure must also be non-combustible.

Note that 2" (minimum) clearance to combustibles must be maintained on all sides and top of the firebox (See **Figures 8 & 12**).

COMBUSTIBLE FLOOR CLEARANCES

These Mason-Lite Fireplaces have been designed with clearance to combustible floors as indicated in pages 17 & 18. Cover any part of the combustible floor system left exposed with 1" (one inch) thick ceramic fiber insulation rated up to 2,100° F.

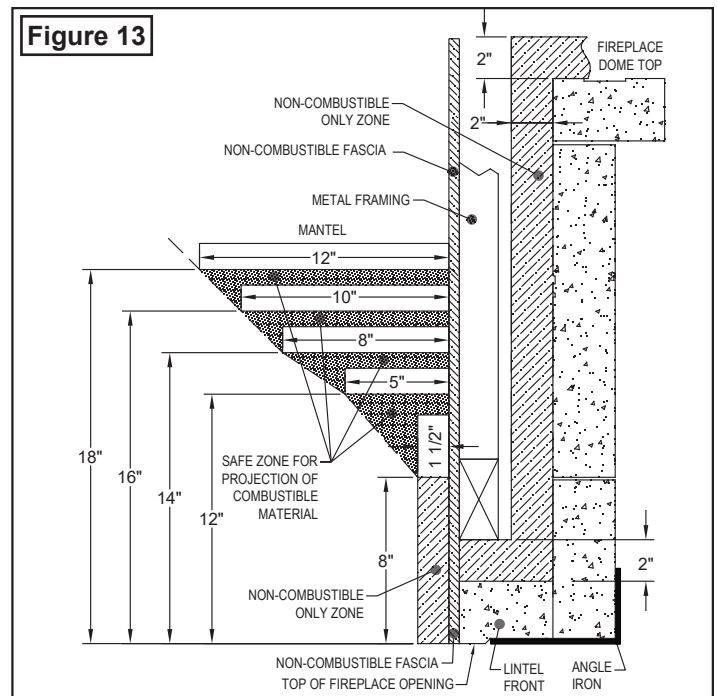
Attention: It is critical to abide by the clearances listed in this manual for all components specified as it allows for movement of hot air from the fireplace into interior areas of the chimney chase. Also, be certain that the chimney system be installed as stated below. Prior to starting the installation, check with local, regional or state codes for any restrictions or required permits regarding your fireplace installation.

Mantel and Mantel Shelf Clearances

As with any radiant heat fireplace, the Mason-Lite fireplaces must comply with building code safety clearances, per units that have openings of 6 sq. ft. or greater. For Mantel clearances see **Figure 13**. Walls that Adjoin – Safety codes and all practical outlooks insist that your fireplace cannot be installed closer than 2 ft. to any walls in the room the fireplace is housed in or to any walls of adjoining rooms.

Caution in Regards to Combustibles – If any part of the fireplace or objects in the room (curtains, rugs, paint, cushions, etc.) start to show warping or discoloration due to heat from the fireplace, it is time to take immediate action. Do not use the fireplace until you have figured out how to address the problem. You are facing a potential fire hazard. MFI cannot be responsible for the make-up of material on the exterior of the fireplace you have chosen, nor can MFI be held responsible for the materials in a room that may be responding negatively to heat. However, in almost all cases, there is a solution to the problem, either by making adjustments to airflow or the modifications to the room itself.

Figure 13



SUPPORTING FLOOR SYSTEMS

Combustible & Non-Combustible Floor

It is the ultimate responsibility of the installer to ensure that proper concrete slab supports are used.

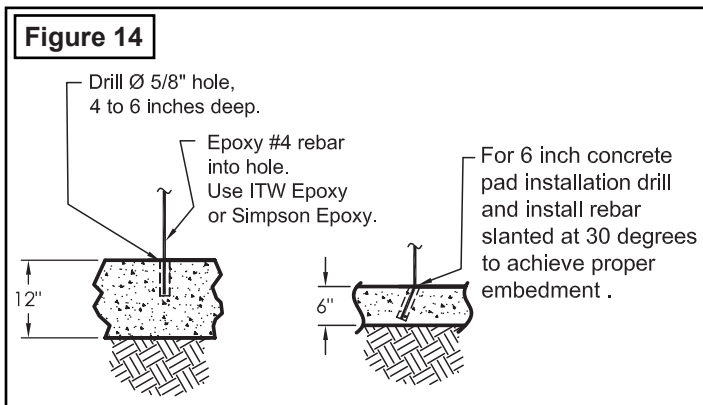
⚠ WARNING

To the licensed design professional and/or building contractor: It is your responsibility to be certain that the Mason-Lite can be properly supported by the combustible floor system on which the fireplace will rest.

For fireplace support foundations installed on concrete refer to Appendix I and II (pages 45 & 46) for specific instructions.

Rebar locations

Lay-out the position of the fireplace and drill holes where the rebar will be located. Secure the #3 rebar 4 inches into the concrete foundation with ITW Epoxy or Simpson Epoxy. Follow manufacturer's instructions for installation of rebar into slab.



Note* A DEPUTY INSPECTOR MAY BE REQUIRED FOR THE EPOXY DOWELS PROCESS. CHECK WITH YOUR LOCAL BUILDING DEPARTMENT PRIOR TO REBAR INSTALLATION.

Wood Floor

Anchorage of fireplace to wood floor construction is required. Refer to **Figure 18**, page 26 for anchorage dimensions. Four anchors are required to attach to the sub-flooring framing.

Crawl Space or Upper Floor:

For installation of firebox over combustible crawl spaces or upper floors, anchorage of the firebox is required. Illustrations of examples of possible anchorage methods are shown in **Figures 15** thru **17** depending upon the type of floor framing. Final method of anchorage is to be determined by licensed design professional.

For conventional framing, where the floor joists are parallel with the sides of the firebox, the addition of floor joists to align with the anchor brackets allows the brackets to be directly connected to the floor joists.

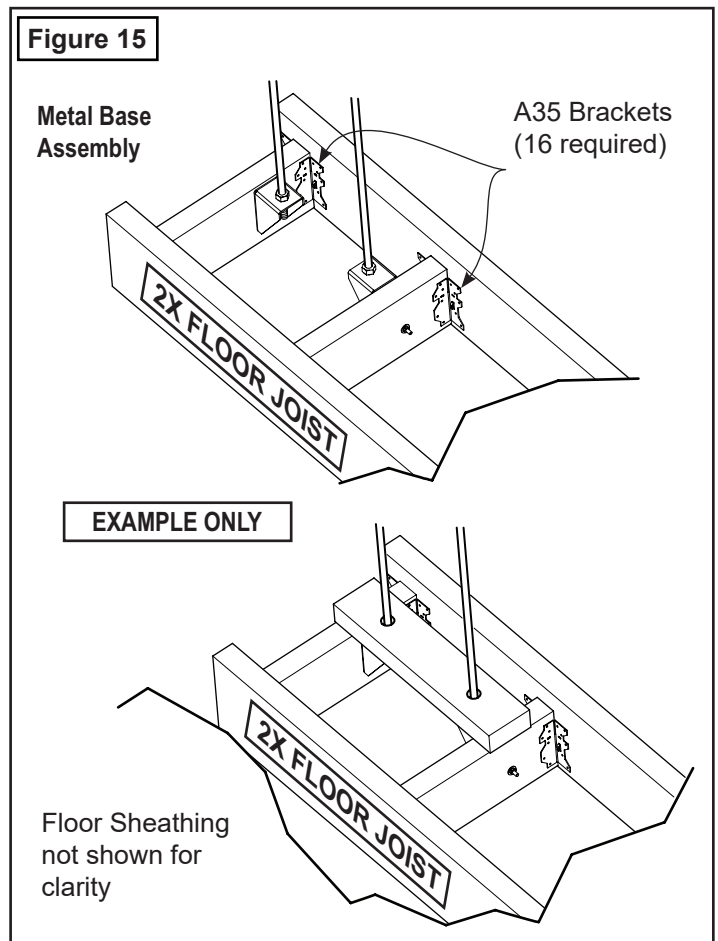
Note that additional floor joists may be required to support the weight of the firebox and chimney. Where the floor joists run parallel to the front of the firebox, anchorage can be accomplished in like manner as shown in **Figure 15** using blocking between the floor joist.

For floors supported by I-Joists, the method of anchorage is illustrated in **Figures 16** and **17**. **Figure 18A** illustrates the general arrangement of anchorage to floor framing.

It is important to take into consideration that the load for the Mason-Lite Fireplace must be considered as additional dead load that will have to be supported by the floor framing. Additional floor joists or I-joists may be required as determined by the licensed design professional.

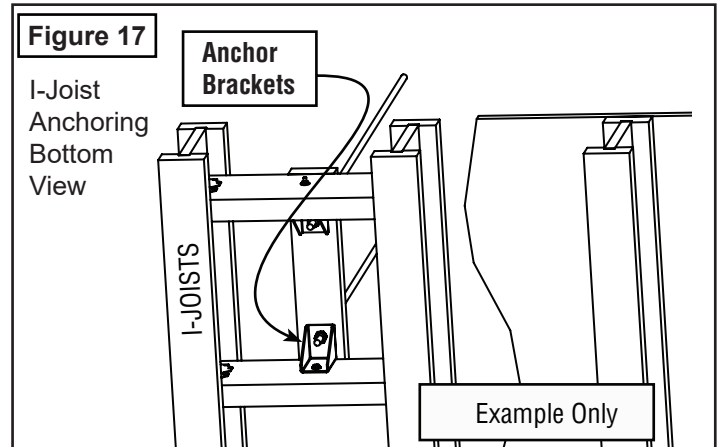
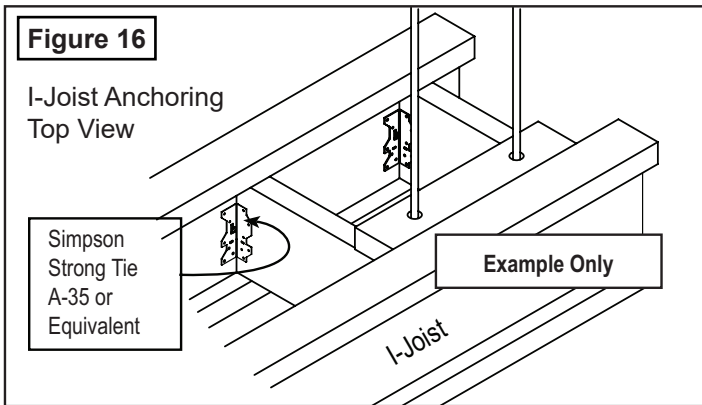
The dead weights for the fireplace are noted in **Table I**, page 25. It is the task and responsibility of the general contractor/installer to see that the proper reinforcement for weight loads are made by a licensed design professional prior to the fireplace installation.

As stated above, it is desirable to place additional framing for alignment of anchor rods. Refer to **Figure 18**, page 26 for anchor rod locations.



PRE-INSTALLATION *Continued*

Attach the firebox side wall anchors to wood floor anchor brackets by inserting all-thread rods through holes on the bottom floor on the as shown in **Figures 20A**, pages 27. Secure with two $\varnothing 2"$ o.d. x $\varnothing 9/16"$ i.d. x 0.10" Washers and two 1/2"-13 UNC Nuts.



Mason-Lite Weight Determination

The following are dead load weight estimates for the Mason-Lite Fireplace.

Table I					
Fireplace Model	MFP72-RGL	MFP84-RGL	MFP96-RGL	MFP108-RGL	MFP120-RGL
Fireplace Weight	3,330 lbs.	3,482 lbs.	3,818 lbs.	4,168 lbs.	4,805 lbs.
Mortar, Rebar & Ready Mix Concrete	670 lbs.	670 lbs.	760 lbs.	760 lbs.	850 lbs.
Firebrick Lining	1,264 lbs.	1,480 lbs.	1,600 lbs.	1,712 lbs.	435 lbs.
Damper/Anchor Plate	19 lbs.	26 lbs.	26 lbs.	19 lbs.	19 lbs.
CMU Block Platform	792 lbs.	924 lbs.	924 lbs.	1,056 lbs.	1,188 lbs.
Floor Area	81.25" x 28" (15.80 ft ²)	93.25" x 28" (18.13 ft ²)	105.25" x 28" (20.47 ft ²)	117.25" x 28" (22.80 ft ²)	129.25" x 28" (25.13 ft ²)

Other Weight Considerations:

- 1) Fireplace finished facing (surround): This information needs to be obtained from the contractor.
- 2) Weight of metal flue: See chimney manufacturer's weight specifications. Some chimney systems can weigh up to 50 lbs per lineal foot.

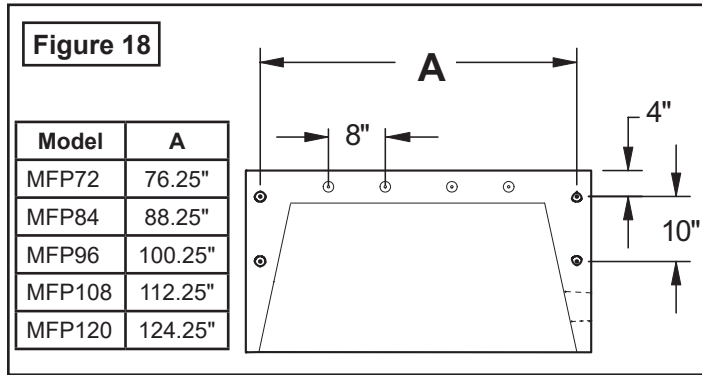
Table II - Deflection Limits			
Construction	L	S or W	D +L1
Floor Members	1/360	---	1/240

¹ For wood structural members having a moisture content of less than 16 per cent at time of installation and used under dry conditions, the deflection resulting from L + 0.5D is permitted to be substituted for the deflection resulting from L + D.

Note that MASON-LITE cannot accept responsibility for structural floor support details. All drawings are presented as mere illustrations to indicate the presence of the underlying floor system. It is the responsibility of the general contractor/installer to consult with a local licensed design professional for guidance in building a proper floor support system.

PRE-INSTALLATION *Continued*

COMBUSTIBLE FLOOR INSTALLATIONS



! WARNING

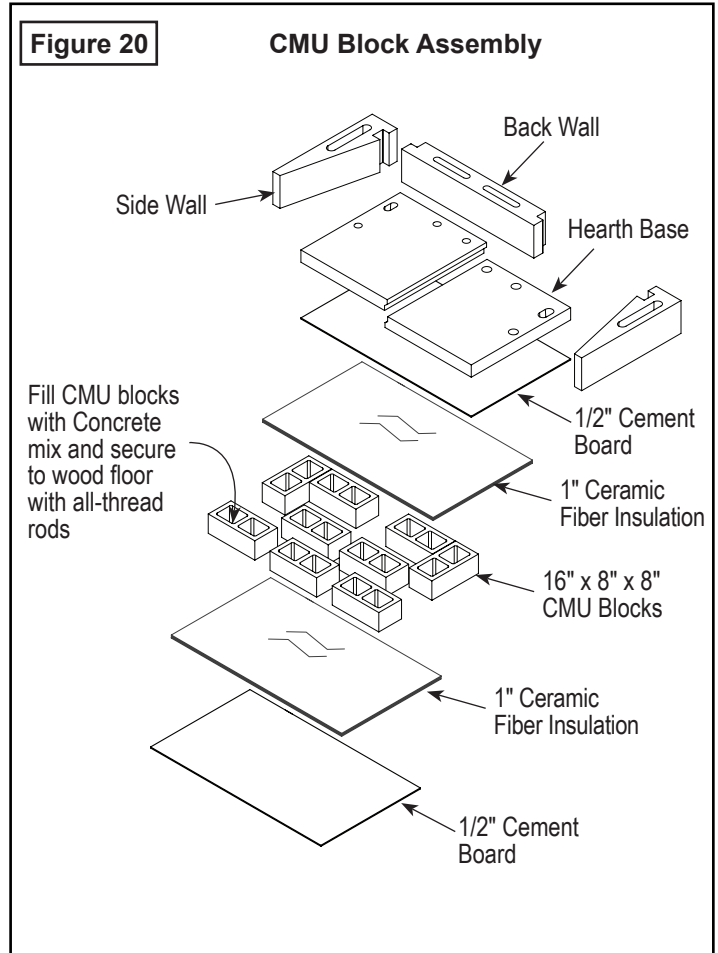
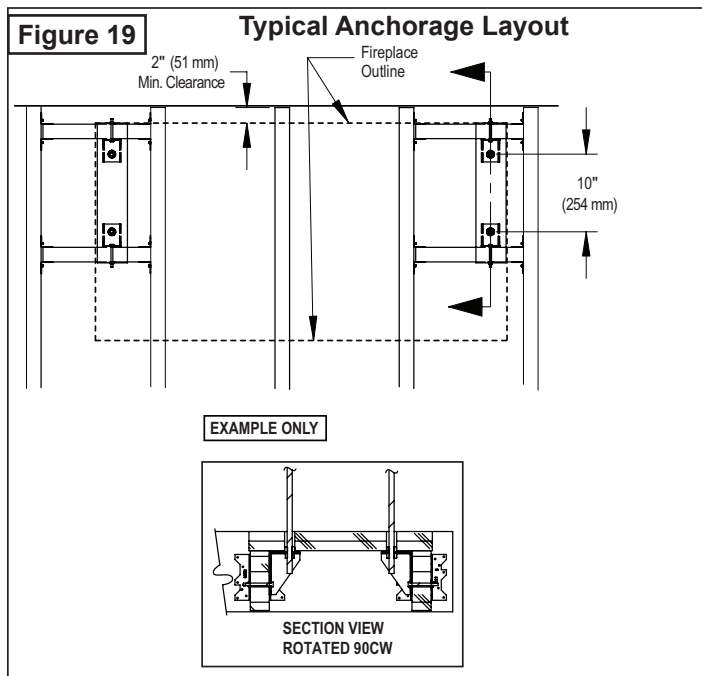
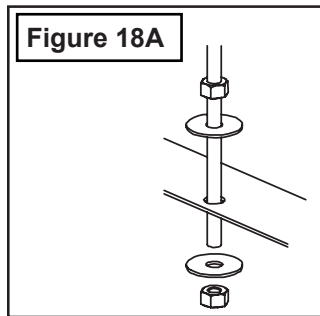
LIFTING HAZARD. SINGLE-PERSON LIFT COULD CAUSE INJURY. USE ASSISTANCE WHEN MOVING OR LIFTING.

8 Inch CMU blocks

The 8" tall CMU blocks ensures the minimum eight inch clearance above combustible flooring is maintained.

Two layer of 1/2" minimum Concrete Board is required on top and bottom and two 1" thick fiberglass blanket as shown in **Figures 20 & 20A**.

Note: depending on your fireplace model, the CMU blocks layout will vary. Please refer to **pages 43 & 44** for the layout pertaining to your fireplace model.



PRE-INSTALLATION *Continued*

⚠ WARNING

Remember to tighten up nuts below the floor after fireplace installation in order to take up any slack in the threads.

Hearth Ember Shields:

Metal safety stripping is required between the front of the Fireplace Hearth and Hearth Extension (not supplied). A 26 gauge galvanized 4" wide metal strip can be used. The length needs to extend 2 inches beyond each side of the fireplace opening. If two strips are used, make sure they overlap at least two inches in the middle. The strip is placed about 2" into the underside of the platform at the front.

Note: When using an on-site constructed hearth extension, you may use a sand-cement grout between the hearth and extension instead.

6 Inch Metal Base (MFP-33/39/44/49)

The Mason-Lite Metal Base ensures the minimum **six inch clearance** above combustible flooring is maintained.

A layer of 1/2" minimum Concrete Board is required on the top and bottom section of the CMU blocks as shown in **Figure 20A**. The required sizes are shown in **Figure 21 & Table III**:

Note: The insulation (concrete) board chosen must meet a thermal conductivity rating ≥ 0.4 Btu-in/hr-ft²-F°.

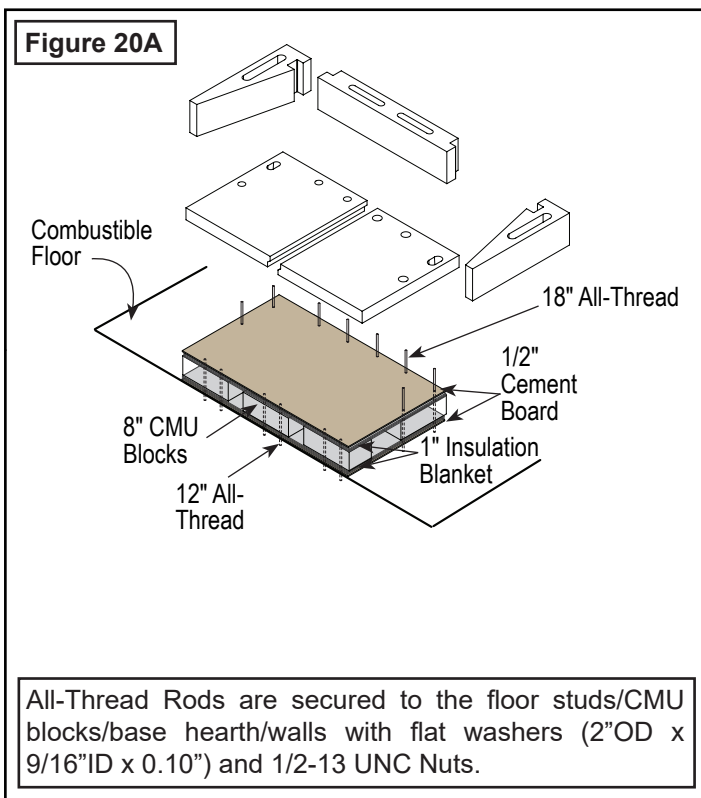


Figure 21 1/2" Thick Cement Board and 1" Insulation Blanket

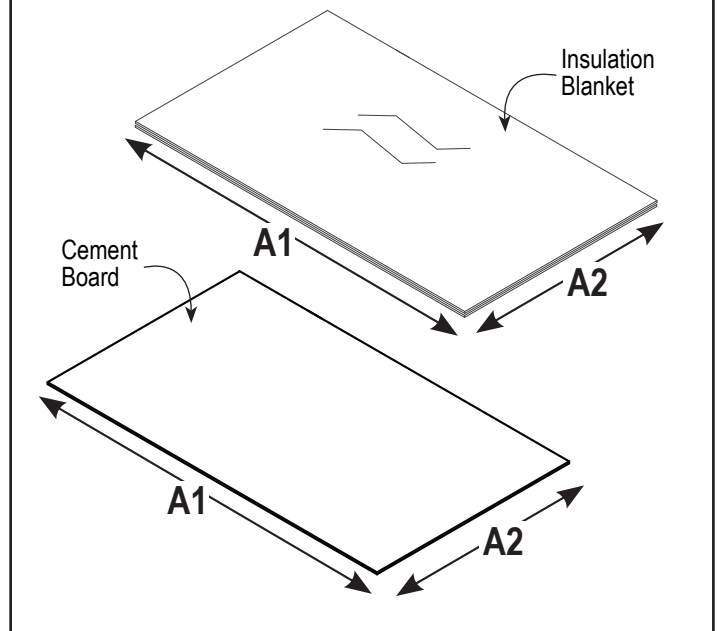


Table III: 1/2" Thick Cement Board and 1" Fiber Glass Insulation Blanket Dimensions

MODEL	A1	A2
MFP72-RGL	81-1/4"	28"
MFP84-RGL	93-1/4"	28"
MFP96-RGL	105-1/4"	28"
MFP108-RGL	117-1/4"	28"
MFP120-RGL	129-1/4"	28"

VENTING

Class A Chimney Pipe

Class A chimney pipe is a double wall pipe that is designed to vent any fuel. This double wall chimney pipe is designed to stay cool in the outside, to provide a hot draft on the inside and to provide for a fire-safe design that protects both the chimney and the building.

Mason-Lite Fireplace & Chimney System

1. The Mason-Lite is designed to be installed with a listed UL103 - Class A, Metal Chimney System.
2. This Mason-Lite fireplace is intended as a supplemental heat source only. It is not intended as a primary heat source.
3. It is the responsibility of the contractor installer (not the manufacturer) to ensure that adequate combustion air is provided for proper function of this fireplace. Fireplaces take up a large volume of replacement air from outside the house and if the house is of airtight construction, smoke spillage may occur if proper draft is not achieved.
4. There are many conditions beyond the manufacturer's control regarding improper fireplace operation. The manufacturer cannot ensure "smoke free" operation, nor can the manufacturer take on the responsibility for problems with surrounding construction; chimneys that have not been built at the correct heights; system drafts caused by faulty mechanical systems; adverse weather conditions or any other environmental situations over which the manufacturer has no control.
5. Inspect all fireplace & chimney components for evidence of damage prior to starting installation. Consult your local distributor for replacement parts if necessary.
6. Under no circumstances should you make any adjustments or modifications to the chimney system during the installation procedure. If you do, you are not only liable for negating the warranty, but you could very well cause a serious malfunction of the fireplace. You must follow these chimney instructions.
7. Caution is urged if it is decided to add insulation material to any part of the Mason-Lite Fireplace or Chimney system, be certain that the insulation material is kept at least 2" (two inches) away from any part of the system. When using insulation or vapor barrier materials, cover with a layer of plywood, particle board or gypsum board to maintain the specified 2" (two inch) clearance.
8. Air spaces around firebox must remain open. DO NOT fill these open spaces with insulation or packing material of any kind.

WARNING

Do not pack required air spaces with insulation or other materials.

Chimney System Heights

When installed, the **maximum** overall height of the chimney system from bottom of fireplace to the top/termination chimney is 40 feet. The **minimum** installed height of the completed Chimney System is 14 feet with a straight flue stack, 17 feet if the chimney includes one or two offset sections.

Seismic & Non-Seismic Code

Mason-Lite Fireplaces have been tested and passed the seismic requirements for Modular Masonry Fireplaces throughout the entire United States. We understand that not every installation needs the extra security that is involved in a high seismic zones. Rebar is **ONLY REQUIRED** on Mason-Lite units in seismic zones 3 & 4 shown in the map in appendix III, page 47. We will supply rebar to all fireplaces shipped to zones 3 and 4 in the United States unless otherwise requested.

Tools And Materials Required For Installation

You will find that the MASON-LITE Fireplace is designed to be completely assembled on-site, consisting of interlocking precast parts. You will need a thin-set type mortar for bonding. The parts of the fireplace are made of Mason-Lite's incredibly strong blend of specialty cement and a light weight aggregate.

WARNING

When applying mortar, it is imperative that the concrete blocks be maintained moist (not soaking) so they don't absorb the water out of the mortar and cause adhesion to fail. Frequently run a damp sponge to the parts before mortar is applied!

Firebox must be lined with firebrick (ASTM-C1261) not supplied. The firebricks will be applied within the walls and hearth area of the firebox. These firebricks can be obtained from your local hardware store.

The installation of an anchor plate/damper is required but not supplied. You may purchase it from any chimney manufacturer or MFI. Also, an optional combustion air inlet MFP4-AK-M can be obtained from MFI.

PRE-INSTALLATION *Continued*

Tools needed for installations:

- One 4' level
- Roto-hammer with ½" drill bit (needed for concrete slab install only)
- Drill motor with mixer blade (to mix Mason-Lite Mortar)
- Two empty 5 gallon buckets (to mix Mason-Lite Mortar)
- One wheelbarrow and shovel to mix concrete.
- Grout bag
- Triangular masonry trowel
- Rubber hammer
- Sponge and water bucket to wipe down and moisten parts prior to applying mortar.

Materials needed for concrete slab (non combustible) installation

MFP72/84/96/108/120-RGL:

Eight (8) pieces 3/8" rebar x 40" long (included with units)

ALL UNITS:

- Epoxy for securing rebar in footing / foundation.
- Three (3-6) - 90 lb. bags of Ready-Mix Concrete with 1/4" or smaller aggregate.
- Mason-Lite Mortar (two 50 lb. bucket for MFP72/84) or three 50 lb. buckets for MFP96/108/120).

Materials needed for combustible wood floor installation:

MFP72/84/96/108/120-RGL:

Eight (8) pieces 3/8" rebar x 40" long (included with unit)

Ten (10) ea. All-thread x 12" long (with nuts and washers)

Fourteen (14) ea. All-thread x 10" long (with nuts and washers)

CMU blocks 16 x 8 x 8: MFP72-RGL (12 ea.), MFP84-RGL (14 ea.), MFP84/98-RGL (14 ea.) MFP120-RGL (18 ea.)

ALL UNITS:

- Two each 1" ceramic fiber blanket the size of the hearth base to go under the fireplace heart and under the CMU blocks (not included).
- Two each ½" cement boards (cut to size), not included.
- Twelve or more fasteners to attach CMU blocks to floor joists, not included.
- Mason-Lite Mortar (two 50 lb. bucket for MFP72/84-RGL or three 50 lb. buckets for MFP96/108/120-RGL) included
- 90 lb. bags of ready mix concrete with 1/4" or smaller aggregate for CMU blocks and walls: 8 ea. for MFP72-RGL, 10 ea. for MFP84/96-RGL, 12 ea. for MFP108/120-RGL, not included.

Field Assembly Procedures

- a) Mixing the MASON-LITE mortar – The mortar comes premixed and should be dry. Be sure to use clean water and work it up into a mixture that is pasty but not lumpy. If it's too thin and the surfaces don't stay moist, the components will not adhere. Load the mixture into a standard grout bag.
- b) Apply about ½" (one-half inch) thread of mortar. The mortar bead should be approximately ½" (one-half inch) away from all edges. The mortar has a considerable amount of holding power so do not overload the components with too much mortar. Keep the components moist at all times!
- c) Some mortar will "ooze out" when placing components together, this is normal. Wipe excess away with a trowel. Do not cover component surfaces completely with mortar. Do not apply the mortar in thick bands even if the component you are working with is larger than the rest. You will want to apply "stripes" of mortar in these situations.
- d) Make sure components are level. It's extremely important that you pay careful attention to how you are assembling the Mason-Lite Fireplace since every component builds on the next. If you have to make any kind of an adjustment, do not try to do it "by loading an opening" with mortar, this will only result in a fireplace that will not be plumb or level. Use wood shims instead. **You will find these small wood shims supplied with the Mason-Lite Fireplace** and you can nudge them in between openings to achieve the precision you need in making component adjustments. Once you have removed any shims, you will want to cover any gaps that may have resulted with the mortar.

FIREBOX INSTALLATION

HIGH TEMPERATURE DRY MORTAR MIX

Mixing Instructions:

Mix completely with clean water using a drill motor and mortar mixing tool. Mixing time should be at least five (5) minutes until smooth and the proper consistency for a grout bag (Complies with ASTM C-199).

Note: The mixing should be done in stages as needed through the firebox assembly so it doesn't dry up.

Note: Make sure to clean the mating surfaces with fresh water. Frequently run a damp sponge over these surfaces to make sure they are moist (but not soaking wet) when applying the mortar.

MFP72/84/96/108/120-RGL FIREBOX ASSEMBLY

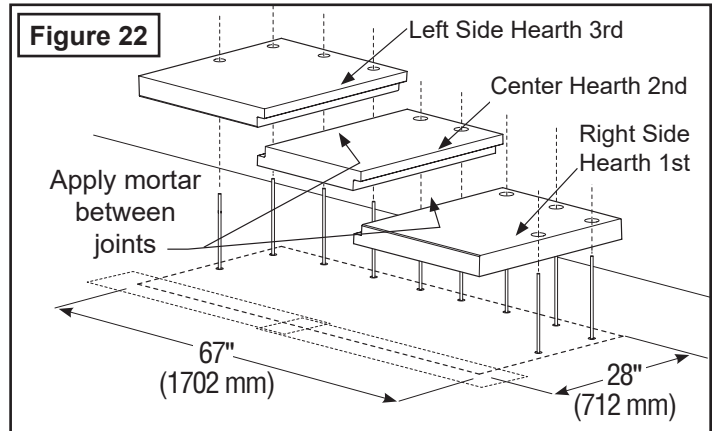
Check packaging for photos of dry-stacked assemblies to aid with installation. Dome assembly will be shown dry-stacked separately from lower section of firebox assembly for demonstration only. If photos are missing please contact Masonry Fireplace Industries for them to be emailed to you.

Note: The steps to assemble these fireplaces are very similar (Hearth base, sides and rear wall (5 rows) and a 3 tier dome. The number of side and rear courses will vary with each fireplace model. To determine the proper number of side and rear blocks as well as the dome, please refer to your model unit photos included with the installation instructions package.

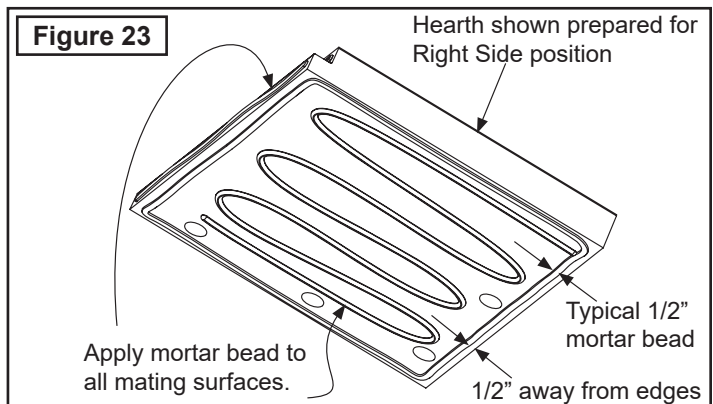
1. Place the Mason-Lite Fireplace hearth base on top of your non-combustible floor or CMU block base. For concrete slabs, supporting floor needs to be rated at ASTM 90.

2. a) **Combustible Floor Installations:** Mix up a batch of mortar and adhere hearth slabs to the CMU block base already in place (see **Figure 20A**, page 17). 18" all-thread rods should stick up through the holes on the hearth slabs (back and sides only).

b) **Non-combustible Floor Installations:** Draw an outline footprint (81.25" x 28" for MFP72-RGL, 93.25" x 28" for MFP84-RGL, 105.25" X 28" for MFP96-RGL, 117.25" X 28" for MFP108-RGL, and 129.25" x 28" for MFP120-RGL) and mark the centers for the rebar locations using the hearth slabs as templates. Drill holes for rebar 4 inches into the concrete slab and secure the 10 pieces of 12" long rebar with epoxy, see **Figure 22** and CMU layout on pages 43 & 44.

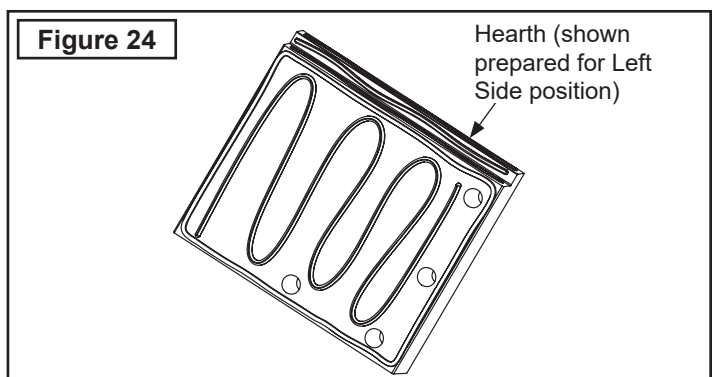


3. Mix a batch of mortar and prepare bottom surface of Right Side Hearth to be bonded (**Figure 23**), then lower the piece into place on the outline created before. Align lower Right Side Hearth on the outline created. The 67" width dimension allows for an approximate gap of 1/8" between slabs for the additional mortar to unite the remaining slabs. Continue process for remaining hearth sections while moistening and adding mortar between joints at slab ends.



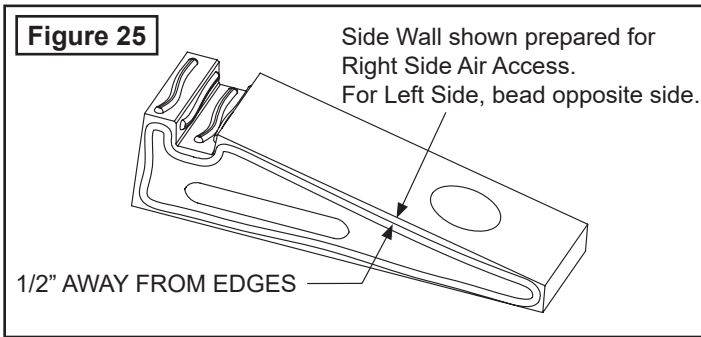
4. Apply mortar in like manner to the Center Hearth and place next to the Right Side Hearth. Check that surface is LEVEL and use shims if necessary.

5. Apply mortar to the remaining Hearth except this time apply beading on surface to be facing floor as shown in **Figure 24**.

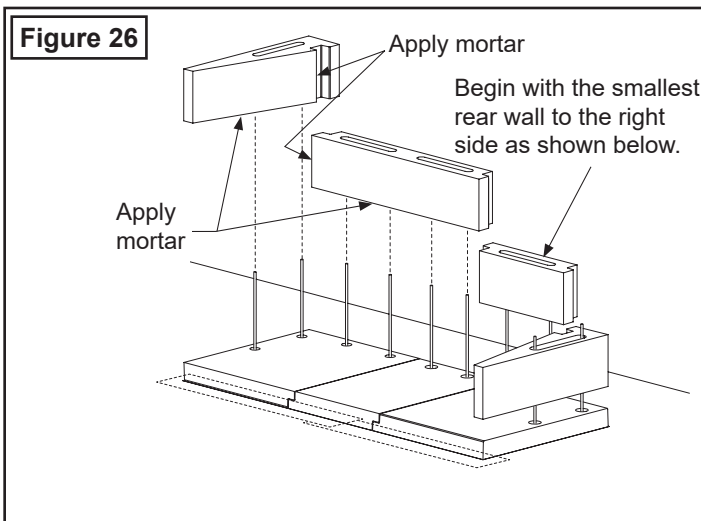


FIREBOX INSTALLATION *Continued*

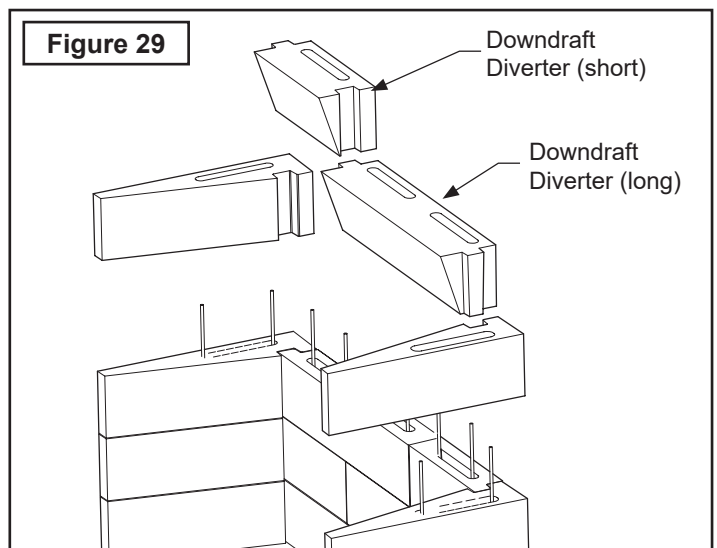
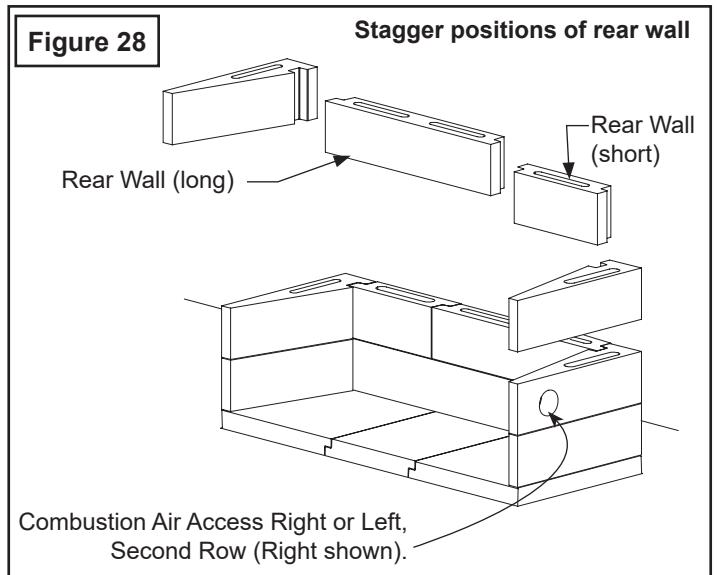
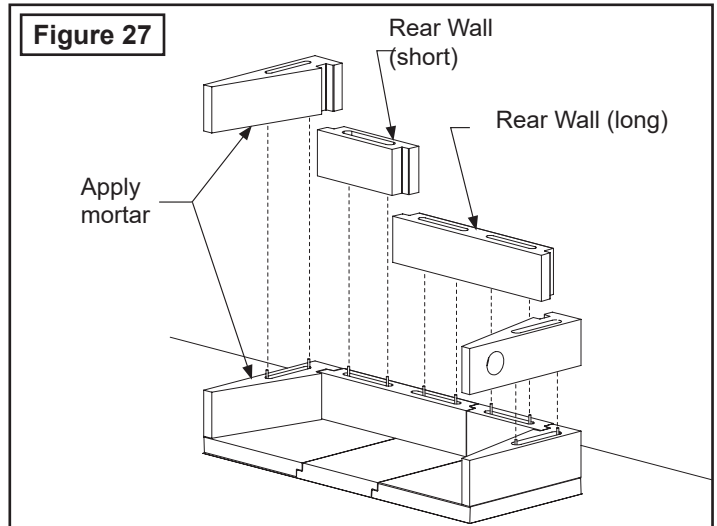
6. Before installing side walls, confirm placement of outside combustion air access (if required), this can be installed either side depending on which side is accessible to outside combustion air, install on second row of side wall (all diagrams in this manual show the combustion air inlet hole on the right side).
7. Prepare side wall mating surfaces with the prepared mortar as shown in **Figure 25**.



8. Keep the assembly of the next sections of the firebox side walls moving up (**Figure 26**), keeping components moist, mixing mortar as you need it and threading the mortar appropriately as you stack each section, one onto the next. Constantly check for squareness and levelness while building each course of block. As you complete each section, make certain that you adhere the mortar at every joint.



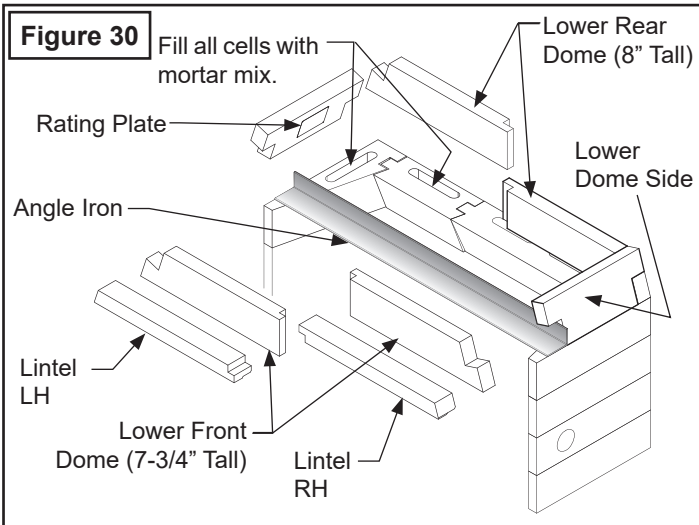
9. Rear walls are staggered on every row as shown in **Figures 27 and 28**.
10. After the fourth row of firebox is complete, install Downdraft Diverter section as shown in **Figure 29**.
11. After the last side walls are installed, place #3 rebar (8 each, 40 inch long) vertically through the cells, into the holes in the hearth, adjacent to the rebar and/or all-thread sticking up from the hearth and fill all cells with Ready-Mix concrete mix.



FIREBOX INSTALLATION *Continued*

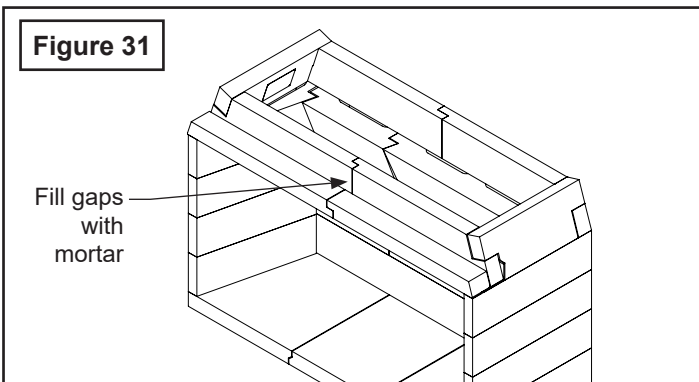
12. Set the Lower Rear Dome sections in place (these parts are slightly taller than the Lower Front Dome parts). Set the Angle Iron with the longest side (5") laying flat above last tier of side wall as shown in **Figure 30**. Check that all is level. If you need to make adjustments, use shims between the lowest wall component and the top surface of the base plate. Once leveled, fill any resulting gaps with mortar. **Important:** Adjustments can only be made while the mortar is still wet when correcting for squareness and leveling.

Important: Adjustments can only be made while the mortar is still wet when correcting for squareness and leveling.



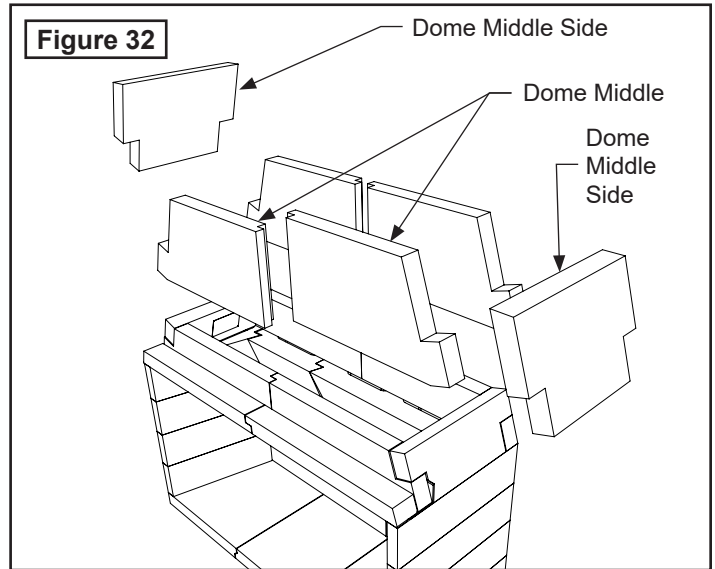
13. Fill all resulting seams with mortar as shown in **Figure 31**. The beveled face lines up with the inward angles of the lintel sides.

14. Position Middle Domes so that outer faces are flush to the lower dome. Carefully install Dome Middle Sides as shown in **Figure 32**.

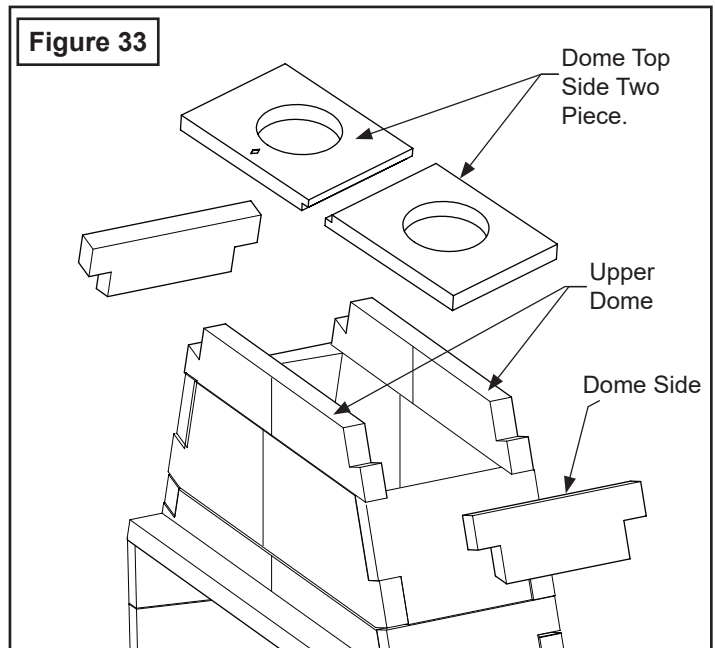


15. As you are connecting each MASON-LITE component, be certain you are following the instructions given previously for using MASON-LITE mortar. Stop to look at the smoke dome side, front and rear walls to see that they are aligning correctly and that the surfaces are smooth and uniform. Make sure connections are covered with an adequate amount of mortar. Remember that you have

the option of using shims but they must be removed and any holes filled. Make any adjustments to the fireplace alignment before continuing to the next step.



16. Assemble Upper Domes and Dome Sides as shown in **Figure 33**. Check your assembly here. If things are proceeding as they should be, the finished top surface should be flat and level.



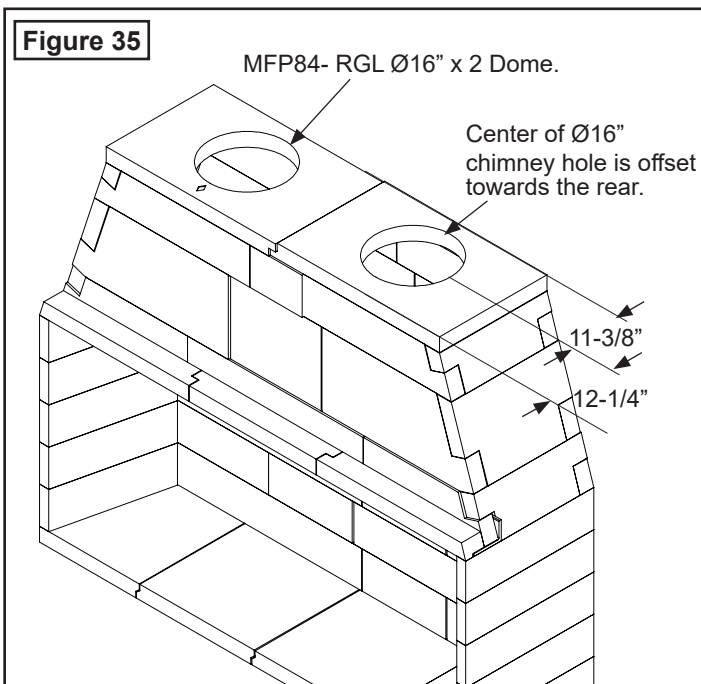
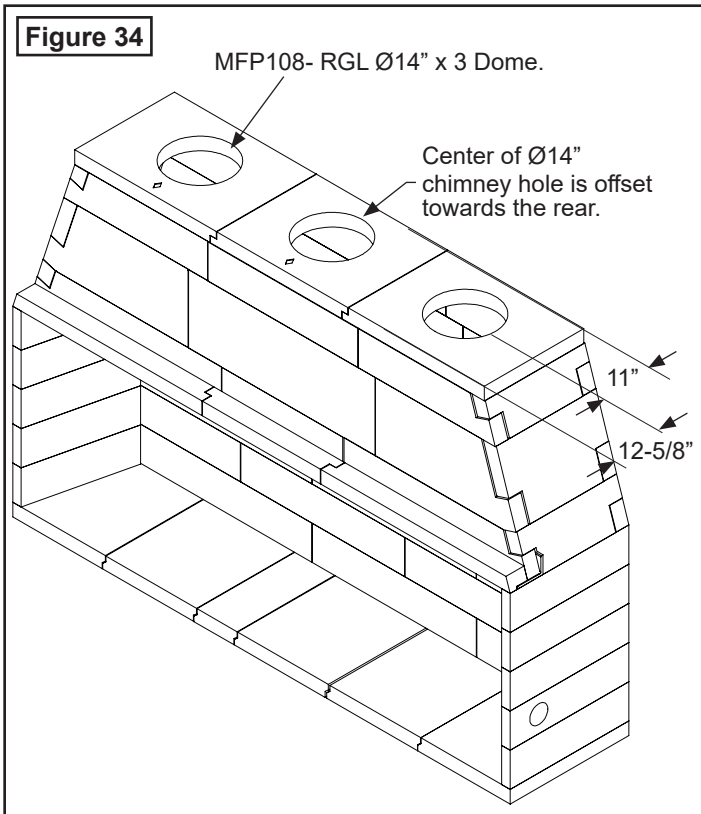
FIREBOX INSTALLATION *Continued*

17. Finally, set the dome top pieces into position (2, 3, or 5 piece) when there are more than two pieces, set middle portion first then the side pieces. Be sure that it is flush in every direction as you place it on the crest of the smoke dome wall assembly (see **Figure 33**, page 32).

Note that the chimney holes on the Dome Top is not centered from front to back - it should be offset closest to the rear of the fireplace (see **Figure 34**).

18. Now that you have completed the smoke dome assembly, all the components should stack up for a smooth transition into the flue components. Setting the smoke dome completes the MASON-LITE Firebox and Smoke Dome assembly. You are now ready to begin the installation of the necessary fire brick lining and the flue components. **WARNING: DO NOT PACK REQUIRED AIR SPACES WITH INSULATION OR OTHER MATERIALS.**

NOTE: These fireplaces are not designed for installation with Masonry Chimney liners. For more information visit our website at mason-lite.com



VENTING AND ACCESSORY INSTALLATION

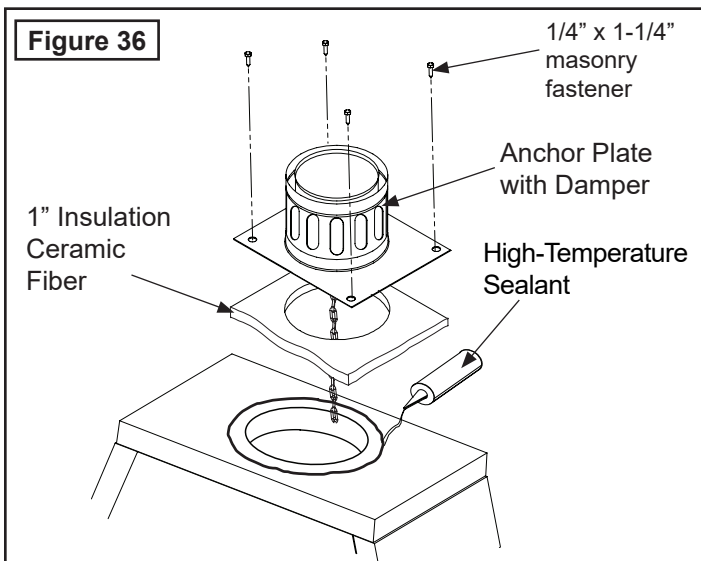
INSTALLING DAMPER AND CHIMNEY SYSTEM

All chimney systems must be installed with an integrated Damper System / Anchor Plate installed on or in the fireplace. Installers are cautioned to put the chimney system together exactly as instructed and shown in chimney manufacturer's guide. Any variations may have serious consequences resulting in an accident or malfunction. If instructions are not followed, the warranty on the product will become null and void.

If installing Anchor plate or Anchor Plate with damper see steps 1 thru 4

Important: *Make sure the surface of the masonry chimney has a level surface on which to attach the anchor plate or anchor plate with damper. If the surface is not level, modify the masonry accordingly.*

- 1) Center the anchor plate over the masonry flue opening. If a damper is use, make sure nothing interferes with the damper movement. Seal the anchor plate in place with high temperature sealant and secure anchor plate with four 1/4" x 1-1/4" masonry fastener or use 1" insulation ceramic fiber and secure with four 1/4" x 1-1/4" masonry fastener as shown in **Figure 36**.
- 2) **Damper plate:** The damper plate should swing freely once the anchor plate is installed. When the chain is pulled down, the damper plate should close (horizontal position). When the chain is released (no weight on the chain), the damper should swing open (vertical position).
- 3) **Lintel hook:** With the damper plate in the closed position (horizontal), determine and mark the location for the lintel hook. The lintel hook should be mounted in a position so as to provide a small amount of tension in the spring attached to the chain. The tension is needed to prevent damper plate from rattling when close. Mount the lintel hook to the masonry with three (3) #8 cement fasteners.
- 4) When the anchor plate or anchor plate with damper is completed, you can continue intalling the chimney sections.



Attention: Clearance to combustible construction cannot be reduced during course of construction. For the safe operation of the finished fireplace, these clearances must be followed when building the framework for the chimney system.

Note that the most important aspect of the installation is maintaining the minimum required clearances to combustible materials according to the chimney pipe manufacturer's recommendations, otherwise a potential fire hazard may occur.

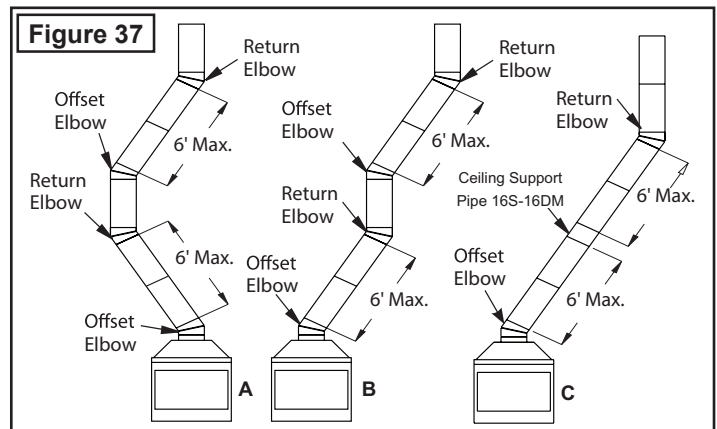
⚠ WARNING

do not interchange chimney manufacturer's parts with any other parts except those specifically required by the chimney manufacturer's recommendations otherwise a potential hazardous condition may be created.

ATTENTION: When choosing a Chimney System it must meet the following requirements:

- Designed for installation in accordance with the National Fire Protection Standard and UL 103.
- Meets the requirements of NFPA 211.
- Designed in accordance with ICC Codes.

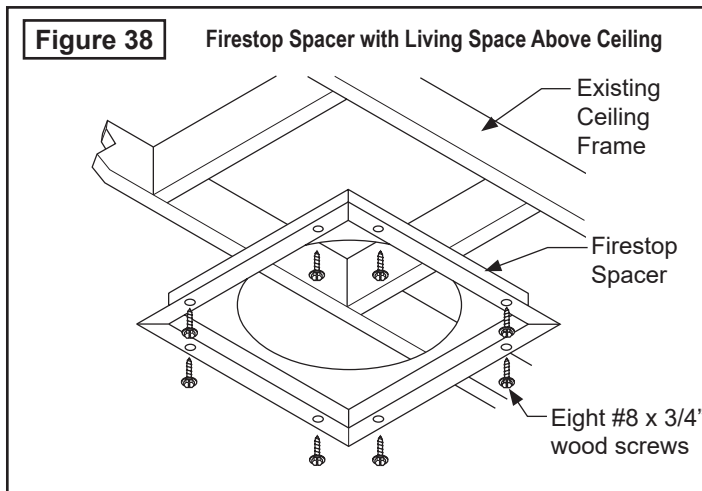
Assuming you have sections of vertical pipe that are more than 10' (ten feet) measuring between elbows, you must insert – at midpoint – a chimney stabilizer. When installing the stabilizer, pull out the support straps with a good amount of tension and hammer to the frame.



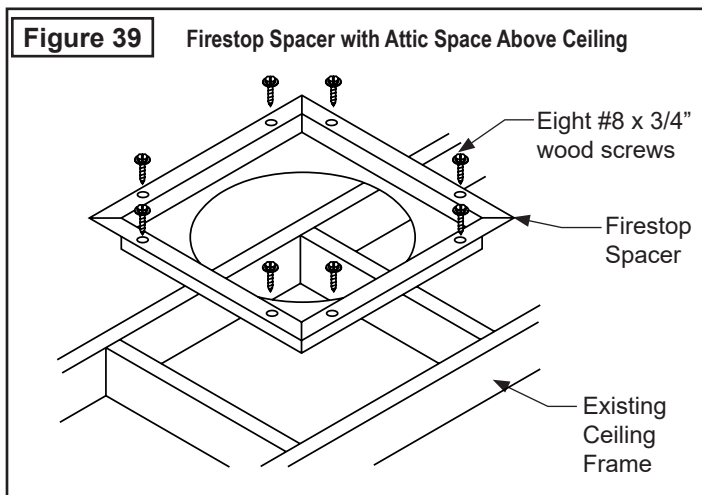
VENTING AND ACCESSORY INSTALLATION *Continued*

INSTALLING FIRESTOP RADIATION SHIELD

A Firestop Radiation Shield is required in multi-story installations at each floor penetration above that where the Support Box is located (**Figure 38**).



Firestop Radiation Shields also provide complete separation from one floor space to another or attic space as required by most codes. When the double wall pipe passes through a framed opening into an attic space, the Firestop must be placed into an attic floor as shown in **Figure 39**.



Follow your chimney manufacturer's instructions on specific guidelines pertaining to their chimney and Firestop Radiation Shield installation instructions.

INSTALLING OUTSIDE AIR

The Mason-Lite Fireplace needs enough replacement air to function properly and some local building codes may require outside combustion air to be provided. If no replacement air is provided, improper flue drafting may occur, creating negative pressure whereby smoke may enter the home, especially in homes that are very well insulated and tightly sealed. Check local building codes for specific requirements.

Install Combustion Air Kit MFP4-AK-M into the MASON-LITE Firebox through the side wall opening. A 4" dia. hole will also be required through the firebrick side lining. The tubing that goes out of the firebox wall must feed into a flexible metal conduit as the source for outside combustible air. It can go straight out through an outside wall or into a ventilated crawl space. If crawl space is used, check codes for proper termination.

Note: When installing an air kit, the ducting can be run upwards through framing and ceiling joists with the hood installed through an outside wall. Ducting can also be run downwards through floor joists and under the home to a ventilated crawl-space that is not considered part of the living area of the home.

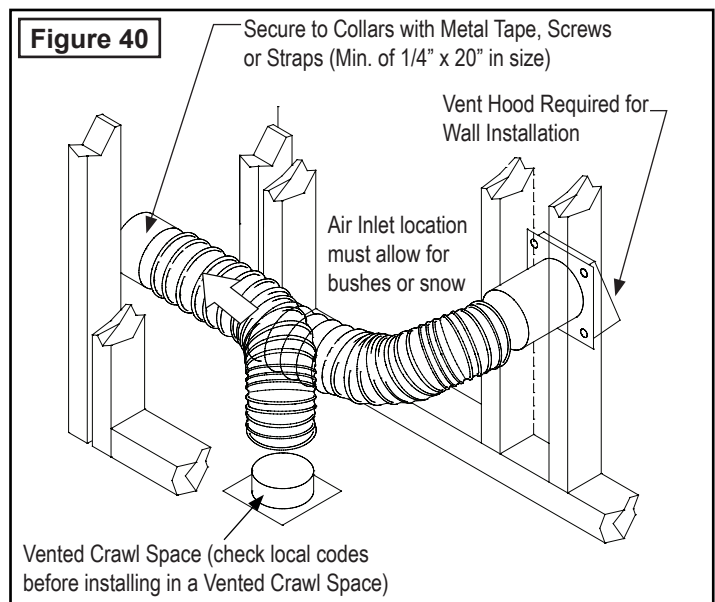
Be sure that you carefully check the source of the outside air before you choose the site for your air intake. You don't want a place where snow will collect, where bushes or trees will be growing or a location that is too close to any other structure. Install a screened termination cap to keep out small animals.

The installation of an outside air kit should be performed during the rough framing of the fireplace due to the nature of its location. Outside combustion air is accessed through a vented crawl space (MFP4-AKF) or through a sidewall (MFP4-AK-M).

⚠ WARNING

Combustion air inlet ducts shall not terminate in attic space.

The maximum height for the air vent cannot exceed 3 feet below the flue gas outlet of the termination.



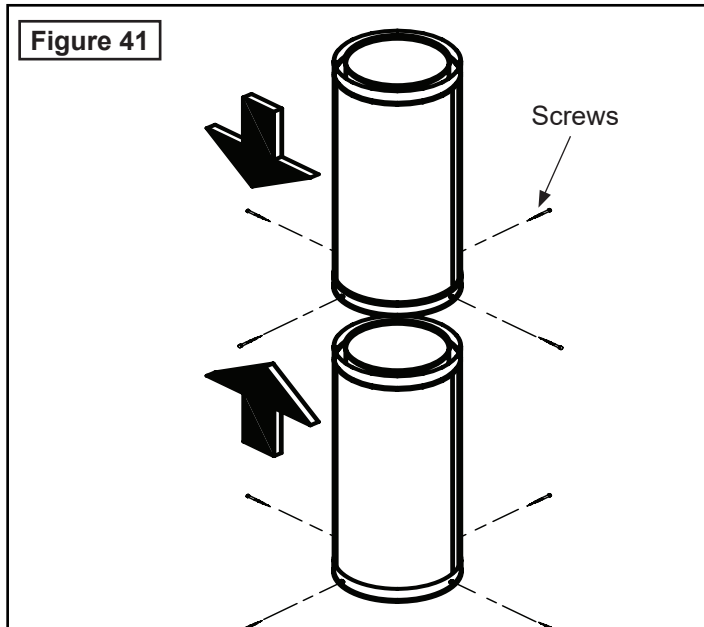
CHIMNEY PIPE

Install only listed UL 103 Class A Chimney.

Chimney maximum height: 40 feet

Chimney minimum height: 14 feet (with offset = 17 feet) 2 offsets maximum.

Important: Follow the chimney pipe manufacturer's instructions on the installation of their specific flue system.



ADDING A GAS PIPE

You may elect to add a vented decorative gas appliance (gas log) to your Mason-Lite Fireplace. If so, follow the installation instructions from the Decorative Gas Appliance manufacturer. Familiarize yourself with requirements for installation as outlined by the National Fuel Gas Code, ANSI Z223.1. This gas pipe provision should only be used on a decorative gas appliance.

You can route the gas piping practically anywhere in the firebox – the floor, back wall or side walls. You will just need a masonry drill; the instructions from the gas appliance manufacturer will be very straightforward.

Fill in the holes you have drilled around the gas piping with the regular MASON-LITE mortar.

Follow the Gas Log manufacturer's instructions.

ADDING ELECTRICAL CONNECTIONS

Like the gas line, electrical feed lines can be run through the floor, back wall, or side walls. Follow local building and electrical code requirements.

FIREPLACE GRATES AND SCREENS

To complete your fireplace installation, a fireplace grate will be required for safe operation. The fireplace grate can be obtained from MFI or if choosing an alternate, it must be sized to 50% of the hearth maximum. Additionally, a fireplace screen must be installed for safety.

When ordering, please refer to the parts lists in the beginning of this manual.

ASSEMBLY AND INSTALLATION OF DOUBLE WALL CHIMNEY SECTIONS

Chimney sections are connected by lowering the female end of a Chimney Section onto the male end of a previous section of chimney. For 14"-16" chimney pipe diameters, sheet metal screws are required to connect Chimney Section together. For each additional Chimney Section use four (4) Sheet metal screws provided to make a secure connection between the chimney sections (**Figure 41**).

The height of a vertical chimney pipe supported ONLY by the fireplace, must not exceed 20 feet. Chimney heights above 20 feet must be supported.

VENTING AND ACCESSORY INSTALLATION *Continued*

FIREBRICK LINING

⚠ WARNING

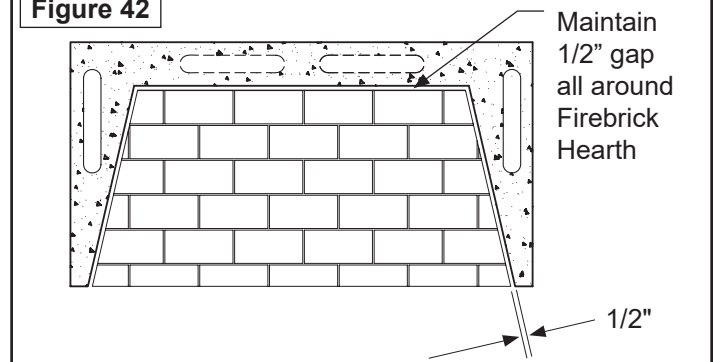
DO NOT OPERATE FIREPLACE WITHOUT FIREBRICK LINING. Doing so will void all warranties and may cause a hazardous condition.

- Firebrick Lining is not supplied by Masonry Fireplace Industries (MFI). You can purchase them from your local masonry building materials supply.
- Firebrick Lining is required for these fireplaces the firebrick must be at least 2-1/2" inch thick and must be rated ASTM-C1261. **Important:** Allow at least 1/2 inch clearance around firebrick hearth to allow for heat expansion otherwise your firebrick may crack (see **Figure 42**).
- The pattern for the firebrick lining is exclusively your choice. Before you install the lining, remember to consider any holes your contractor may need to drill for gas, electrical or combustion air kit access holes.
- Please use a certified mason to lay-in the brick. He will follow the proper instructions from the fireplace liner manufacturer and also understand the type of adhesive or cement he is to use.
- Make sure the fireplace is installed with the finished firebrick floor of the fireplace so that it is at least 11" (eleven inches) above the combustible floor system.
- Disclaimer: Masonry Fireplace Industries wishes to express that as the manufacturer of Mason-Lite Fireplaces, they cannot take any liability or responsibility for the way the firebrick or the firebrick mortar performs. It is not unusual in the course of the life of the firebrick, or the firebrick mortar, for heat stress cracks to appear. MFI cannot be responsible for this and other wear and tear to the firebrick and mortar.

⚠ WARNING

Do not use water to put your fire out unless in case of an emergency. This could cause damage to unit and will not be covered by warranty.

Figure 42



FIREPLACE FINISHES & COMBUSTIBLE TRIM CLEARANCES

Hearth Material & Dimensions – Strict codes control the types of materials that you can select for your Mason-Lite Fireplace's hearth as well as the hearth's length and width. All hearth extensions must be made of code-rated, noncombustible materials such as tile, brick, concrete or stone.

As with any radiant heat fireplace, all MASON-LITE Fireplaces must comply with building code safety clearances, per units that have openings of 6 sq. ft. (six square feet) or greater. For Mantel clearances see **Figure 13**, page 23. Walls that Adjoin – Safety codes and all practical outlooks insist that your fireplace cannot be installed closer than 2 ft. (two feet) to any walls in the room the fireplace is housed in or to any walls of adjoining rooms.

Caution in Regards to Combustibles – If any part of the fireplace or objects in the room (curtains, rugs, paint, cushions, etc.) start to show warping or discoloration due to heat from the fireplace, it is time to take immediate action. Do not use the fireplace until you have figured out how to address the problem. You are facing a potential fire hazard. MFI cannot be responsible for the make-up of material on the exterior of the fireplace you have chosen, nor can MFI be held responsible for the materials in a room that may be responding negatively to heat. However, in almost all cases, there is a solution to the problem, either by making adjustments to airflow or the modifications to the room itself.

OPERATION AND PRECAUTIONS

MASON-LITE OWNER'S OPERATION & PRECAUTIONS

Installers of the Mason-Lite are urged to leave the owner's manual with the unit after installation is complete.

WARNING

Do not attempt to operate your fireplace without a fire safety screen installed.

CAUTION

The manufacturer cautions against using chemical chimney cleaners. Never use charcoal or coal in the fireplace under any circumstances.

First Lighting of the Mason-Lite – After construction is completed, all elements of the fireplace and chimney system must be completely dry. This means that the unit must stand without any firing for a minimum of 28 days. Only after that period of time can a first lighting take place.

The first fire must be small and well-controlled, started with a small amount of kindling. Add no more than eight pounds of wood, preferably small logs not more than 3" (three inches) in diameter. You will probably burn no more than three to four of these small logs. Do not let the fire burn for more than one hour. After this first lighting – when the fireplace has started to "cure" Do not set another fire for at least 24 hours.

Second Lighting – Start the fire slowly and gradually as you did with the first lighting, but this time you can burn up to ten pounds of firewood, probably four to five logs that are 3" (three inches) in diameter. With the second lighting you can let the fire burn two hours – no more.

After First and Second Lighting – When the fireplace has been properly cured with 1st and 2nd lighting, you will be able to add a full fuel load to the MASON-LITE which is about 10 to 15 pounds of firewood at any given time. Consider that this typical fuel load is three to four dry hardwood logs that are about 6" (six inches) to 8" (eight inches) in diameter.

Without a grate for your firewood to rest on, you cannot get the air flow you need under the fire which makes for a hotter, more satisfying fire.

Don't "over burn" – Always remember, your Mason-Lite Fireplace is an elegant addition to your home. It is not an indoor incinerator! If you start to use the fireplace and begin a routine of "over burning," you can permanently and unalterably damage the unit.

Under no circumstances should you be burning household trash, including chemicals and combustibles, cardboard boxes, your office papers, scrap lumber or stray branches from your yard, particularly pine.

WARNING

Burning of above mentioned materials will cause an unsafe condition and will void your warranty!

*Included as trash are plastics, gasoline, rubber, industrial solvents, flammable liquids, naphtha, household garbage, material treated with petroleum products (particleboard, railroad ties and pressure treated wood), leaves, paper products, cardboard, saltwater driftwood, painted wood or any substance that emits dense smoke or an obnoxious odor.

STARTING A FIRE AND BASIC OPERATION

IMPORTANT: DO NOT BURN A FIRE WITHOUT FIREBRICK LINER. (see Page 37 for details)

Before starting a fire in your fireplace, open the damper to its' fully open position. Crumple some paper and place it on the log grate. Use some soft, dry wood as kindling and put it on top of the paper. Place some small logs or split logs atop the paper and kindling. Top your fuel load with a couple of hardwood logs or split logs (Oak or Hickory). Make sure you stack the logs so they fall inside the grate as they burn.

Note: To get the most out of your wood, it is recommended that you let it set and completely dry out for nine months to a year.

When you are satisfied with the arrangement of your wood load, light the paper which in turn will ignite the kindling, then the softer wood and finally, the harder wood logs. As the fire burns, you can carefully lay additional logs on the flame, but make sure you place them gently without forcing them into the opening.

ANNUAL FIREPLACE MAINTENANCE

Your fireplace and chimney require seasonal and monthly maintenance. It is recommended that inspection of the fireplace and chimney take place on a monthly basis during the heating season. Start at the top, looking for birds' nests, leaves or any other obstructions. Also check the spark arrestor, for creosote or soot build-up.

A Professional Chimney Sweep may be hired to clean the firebox and chimney at least twice a year. If doing it yourself, use a plastic, wood or steel brush for the inside of the chimney.

For the spark arrestor, scrub with a wire brush. To dismantle the chimney cap for cleaning of the flue, unscrew the four screws that hold it in place. For cleaning access from below, open the damper in the firebox. It is best to use a flexible handle chimney cleaning brush made especially for the job.

If your fireplace system has any offset chimney sections, start cleaning with the flexible brush from the top of the section downward to the elbow. Then clean from the firebox up to the offset/return section. Make sure to cover the floor of the fireplace and out to the hearth with a damp sheet that has been taped securely in place. When all the soot has settled, remove the sheet and vacuum up. Don't sweep the excess soot!

Never use any chemical cleaners when cleaning the chimney system since their residue may cause a fire hazard. During heating season as you conduct your monthly inspection of the firebox and chimney, be sure to also check the outside of the chimney, metal flashing and weather seals that surround it. If you find any cracks or openings around screws or nails, seal them to avoid any roof or chimney chase leaks.

SURFACE CRACKS

Mason-Lite fireplaces are manufactured using high quality materials. During the drying process though, surface cracking may occur. These small cracks (under 1/16" will not affect the fireplace safety or performance). During the assembly process, fill surface cracks with thin-set mortar and brush when drying for a smooth surface finish.

REMOVAL OF CREOSOTE AND SOOT FORMATION

Creosote vapors are known to form in the relatively cool chimney flues of slow burning fires, hence, creosote residue collects on the flue lining.

Because of soot and creosote build-up, it is recommended that the fireplace and chimney cleaning be done twice a year. In colder climates, cleaning should be done more often.

Before performing maintenance on your fireplace make sure you shut off gas and electrical connections and allow the fireplace to cool completely.

Use only solid fuel in your fireplace. You may use a natural or LP gas log lighter as a method to start your wood fire.

The Chimney Damper must be in the OPEN position whenever there is heat in the fireplace.

CUSTOMER SERVICE & PARTS REPLACEMENT

Parts and accessories may be purchased from your local dealer. Additional information is available from Masonry Fireplace Industries, Inc.

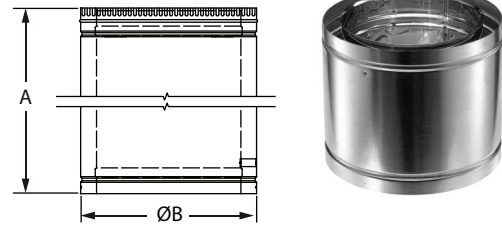
Accessory orders will be accepted by mail, or you may call your order in Monday through Friday from 7:00 a.m. to 3:00 p.m. (Pacific Standard Time) at: (800)-345-7078.

AVAILABLE ACCESSORIES

Use only parts supplied from the manufacturer. Normally, all parts should be ordered through your MFI distributor or dealer.

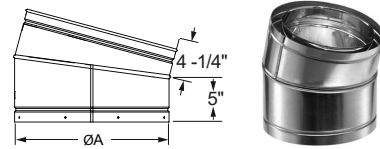
DuraChimney II pipe is available in 12", 18", 36", and 48" lengths. To calculate the installed length of DuraChimney II pipe, subtract 1" from each length of chimney pipe.

Model	A	B
14DCA-12	12"	17"
14DCA-18	18"	17"
14DCA-36	36"	17"
14DCA-48	48"	17"
16DCA-12	12"	19"
16DCA-18	18"	19"
16DCA-36	36"	19"
16DCA-48	48"	19"



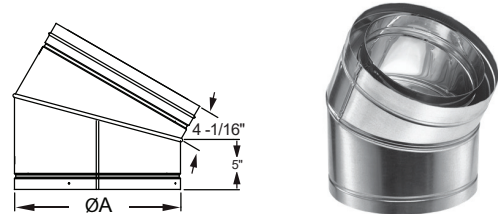
15° Elbow - Use elbows to offset obstructions such as rafters, ridgepoles, or joists. Offsets greater than 30° are not allowed. Elbows are not adjustable.

14DCA-E15	17"	
16DCA-E15	19"	



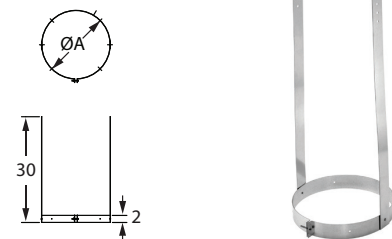
30° Elbow - Use elbows to offset obstructions such as rafters, ridgepoles, or joists. Offsets greater than 30° are not allowed. Elbows are not adjustable.

14DCA-E30	17"	
16DCA-E30	19"	



Elbow Strap - Use between two elbows to support the weight of the chimney.

14DCA-ES	17-3/8"	
16DCA-ES	19-3/8"	




Wall Strap - Use to support and to stabilize the chimney in interior or exterior installations to ensure a 2" clearance. Wall Straps are required every 8' on exterior of the building only.

14DCA-WS	17-3/8"	20-3/8"
16DCA-WS	19-3/8"	22-1/16"

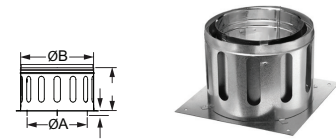


AVAILABLE ACCESSORIES *Continued*

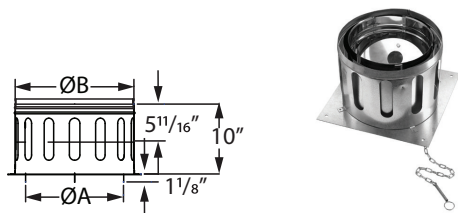
Stabilizer - Use to hold DuraChimney II in place. Use inside chase enclosures to stabilize the chimney. Refer to the fireplace manufacturer for additional requirements on the use of Stabilizer..

Model	A	B	
14DCA-ST	17-3/8"		
16DCA-ST	19-3/8"		

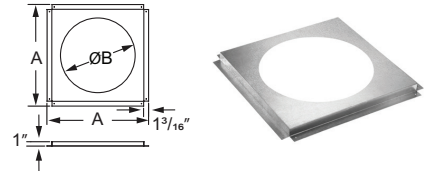
Anchor Plate - Use as a starter section for DuraChimney II. Bolts directly to the fireplace outlet.

14DCA-AP	14"	17"	
16DCA-AP	16"	19"	

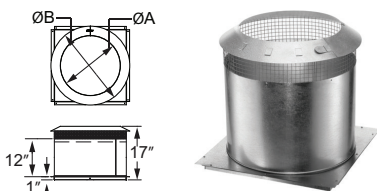
Anchor Plate with Damper - Use as a starter section for DuraChimney II. Bolts directly to the fireplace outlet. Damper section allows the chimney to be closed when the fireplace is not in use. Includes chain and lintel hook.

14DCA-APD	14"	17"	
16DCA-APD	16"	19"	

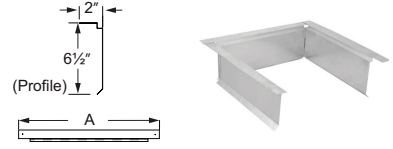
Firestop - Use in ceiling/floor penetrations above fireplace. A Firestop is not required when passing through the roof. Fits on the underside of ceiling.

14DCA-FS	23-5/8"	17-3/8"	
16DCA-FS	25-5/8"	19-3/8"	

Attic Insulation Shield - Use in all installations that pass through an attic to prevent insulation and debris from accumulating near the chimney, unless the chimney is enclosed through attic. Consists of two parts – a collar and a base.

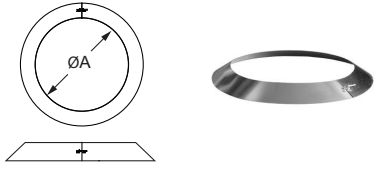
14DCA-IS	17"	19"	
16DCA-IS	19"	29"	

Roof Radiation Shield - Required at the top of chase enclosure or where the chimney passes through the roof. A Roof Radiation Shield is not required if the chimney is unenclosed in the attic. Four plates (included) make up one shield. Three of the four plates shown for clarity.

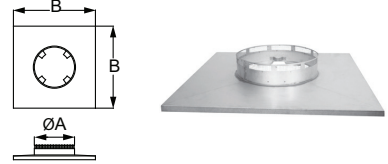
14DCA-RRS	24"		
16DCA-RRS	26"		

AVAILABLE ACCESSORIES *Continued*

Storm Collar - Use to help prevent rain from entering the chase. Use with a flashing and a Chimney Cap.


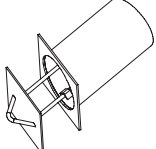
Model	A	B	
14DCA-SC	17"	15"	
16DCA-SC	19"	15"	

Chase Top Flashing - Encloses the top of a chase while providing a ventilation air passage to the chase. Includes spacer clips.

14DCA-CTF	20"	38"	
16DCA-CTF	22"	40"	

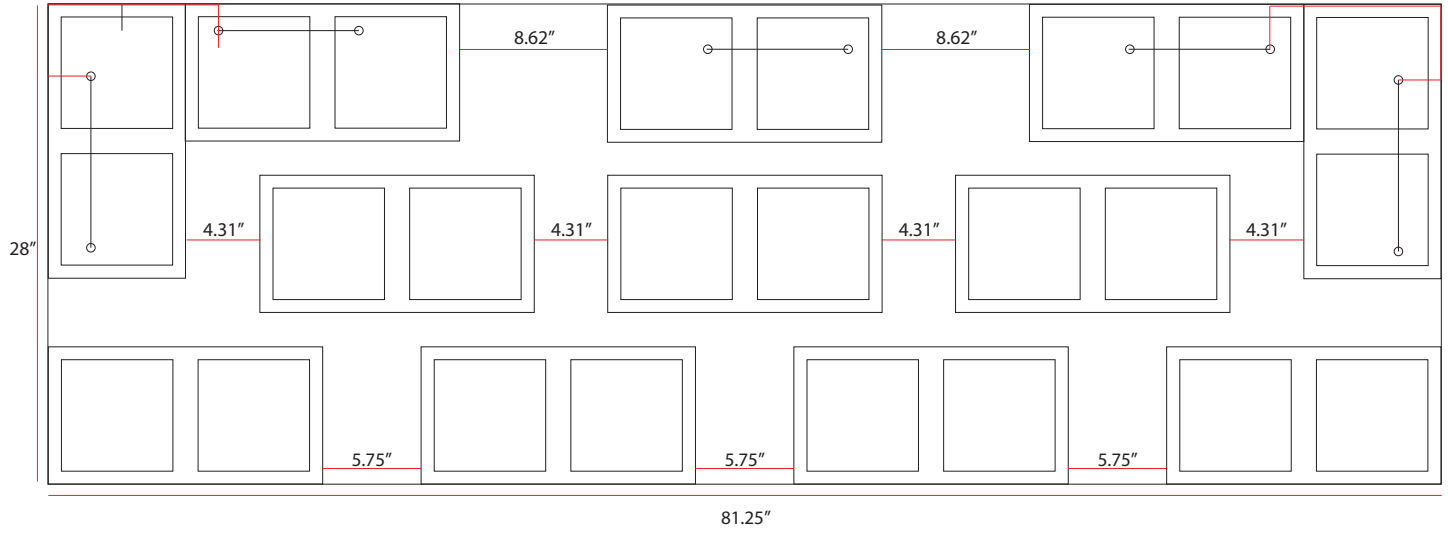
Chimney Cap - Use to terminate the chimney system. Required on all installations to allow for chimney height adjustment. Includes a Spark Arrestor.

14DCA-VC1	17"	21"	
16DCA-VC1	19"	23"	

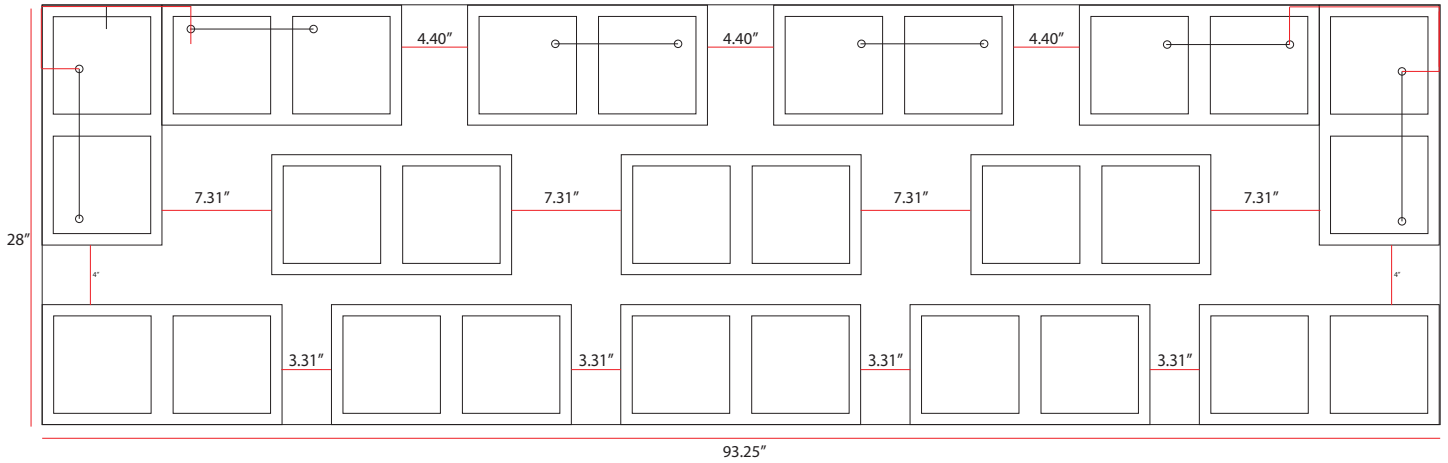
MODEL	DESCRIPTION	
High Temperature Dry Mortar Mix		
MFP530	50 lbs Bucket Dry Mortar	
MFP530-L	55 lbs Bucket Dry Mortar	
Optional Outside Ø4" Combustion Air Kit		
MFP4-AK-M	Outside Ø4" Combustion Air Kit	

CMU BLOCK LAYOUT

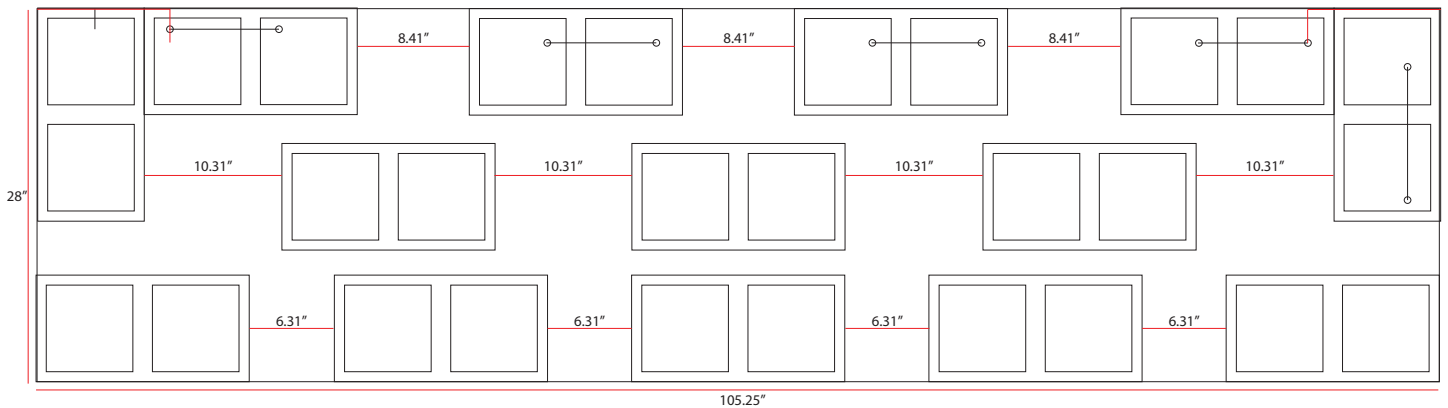
MFP72-RGL CMU BLOCK LAYOUT



MFP84-RGL CMU BLOCK LAYOUT

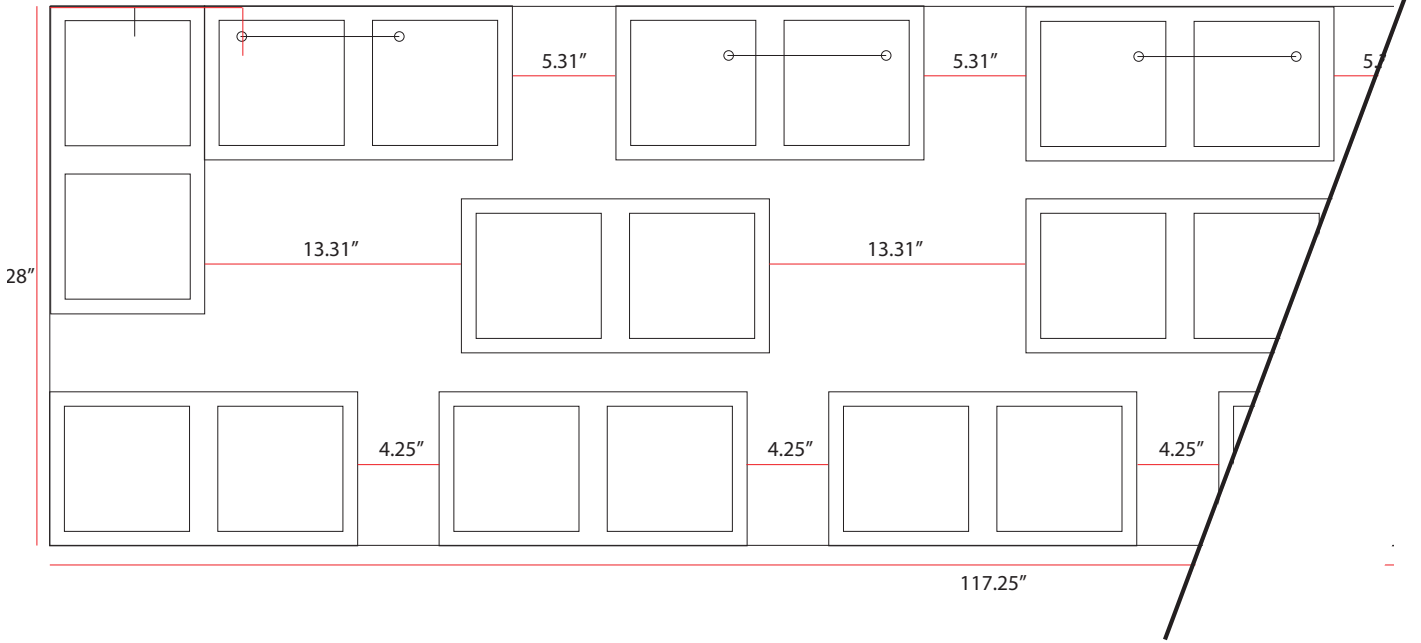


MFP96-RGL CMU BLOCK LAYOUT

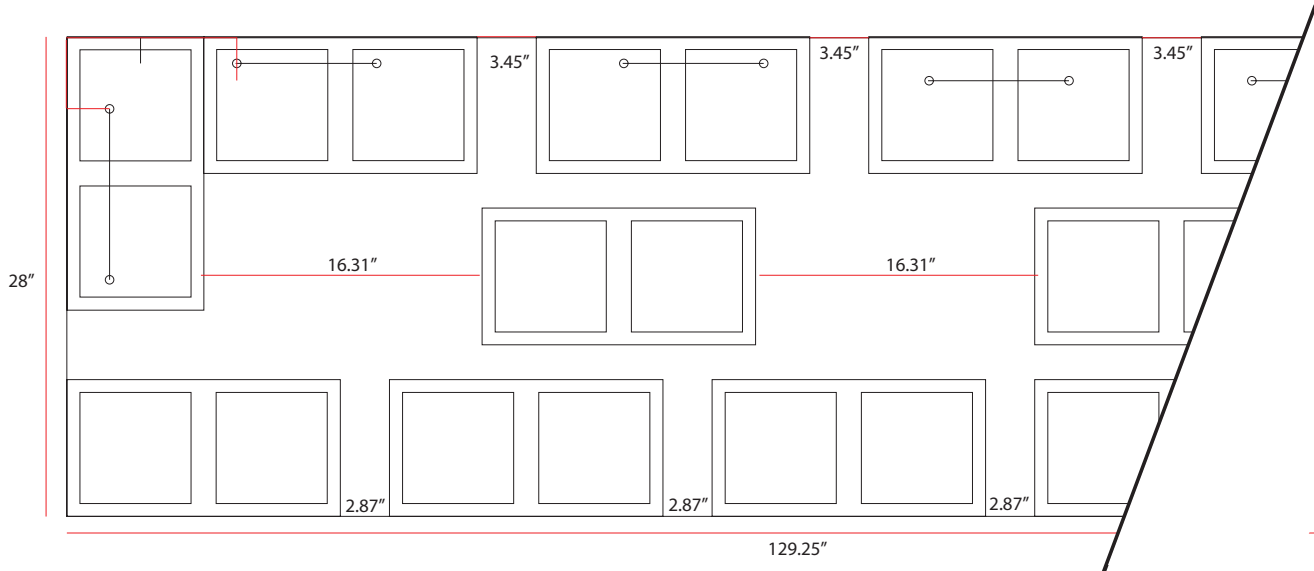


CMU BLOCK LAYOUT *Continued*

MFP108-RGL CMU BLOCK LAYOUT
(Showing half layout for clarity)



MFP120-RGL CMU BLOCK LAYOUT
(Showing half layout for clarity)



Appendix I

For installations regulated by the International Residential Code, the support foundation for the fireplace installed on concrete shall consist of a minimum of 6 inches thick reinforced concrete slab. The minimum specified compressive strength of f'_c , shall be as required in Table R402.2 of the International Residential Code (IRC). Concrete subject to moderate or severe weathering as indicated in Figure R301.2(3) of the International Residential Code (IRC) shall be air entrained as specified in Table R402.2 of the International Residential Code (IRC). The maximum weight of fly ash, other pozzolans, silica fume, slag or blended cements that is included in concrete mixtures for garage floor slabs and for exterior porches, carport slabs and steps that will be exposed to deicing chemicals shall not exceed the percentages of the total weight of cementitious materials specified in Section 4.2.3 of ACI 318. Materials used to produce concrete and testing thereof shall comply with the applicable standards listed in Chapter 3 of ACI 318.

For installations regulated by the International Building Code (IBC), the support foundation for the fireplace installed on concrete shall consist of a minimum of 6 inches thick reinforced concrete slab. The concrete strength and durability shall comply with Sections 1903, 1904 and 1905 of the International Building Code (IBC).

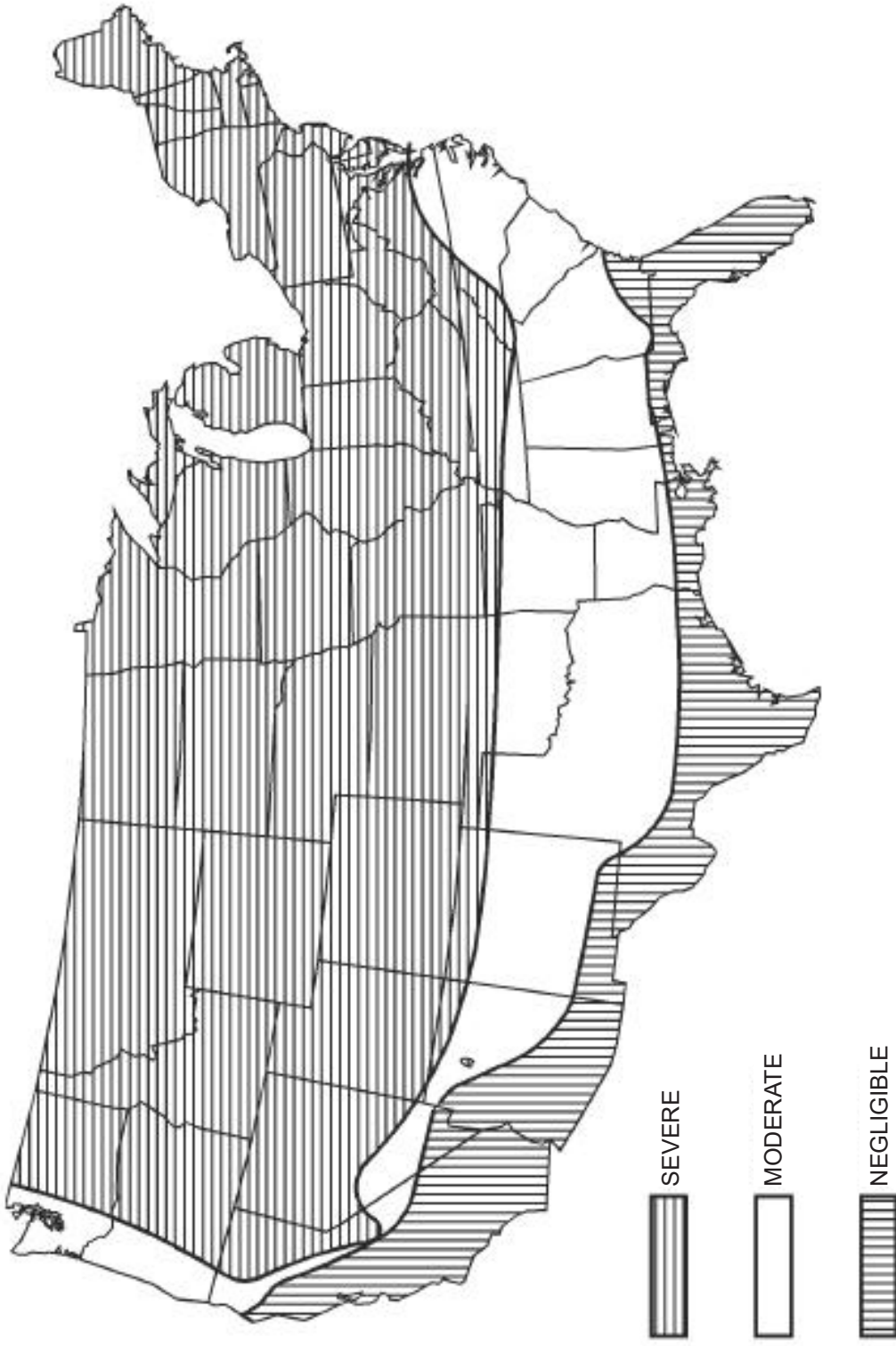
TABLE R402.2 MINIMUM SPECIFIED COMPRESSIVE STRENGTH OF CONCRETE

TYPE OR LOCATION OF CONCRETE CONSTRUCTION	Weathering Potential^b		MINIMUM SPECIFIED COMPRESSIVE STRENGTH^a (f'_c)
	Negligible	Moderate	
Basement walls, foundations and other concrete not exposed to the weather	2,500	2,500	2,500 ^c
Basement slabs and interior slabs on grade, except garage floor slabs	2,500	2,500	2,500 ^c
Basement walls, foundation walls, exterior walls and other vertical concrete work exposed to the weather	2,500	3,000 ^d	3,000 ^d
Porches, carport slabs and steps exposed to the weather, and garage floor slabs	2,500	3,000 ^{d,e,f}	3,500 ^{d,e,f}

- a. Strength at 28 days psi.
- b. See Figure R301.2(3) for weathering potential.
- c. Concrete in these locations that may be subject to freezing and thawing during construction shall be air-entrained concrete in accordance with Footnote d.
- d. Concrete shall be air-entrained. Total air content (percent by volume of concrete) shall be not less than 5 percent or more than 7 percent.
- e. See Section R402.2 for maximum cementitious materials content.
- f. For garage floors with a steel troweled finish, reduction of the total air content (percent by volume of concrete) to not less than 3 percent is permitted if the specified compressive strength of the concrete is increased to not less than 4,000 psi.

Appendix II

FIGURE R301.2(3) WEATHERING PROBABILITY MAP FOR CONCRETE

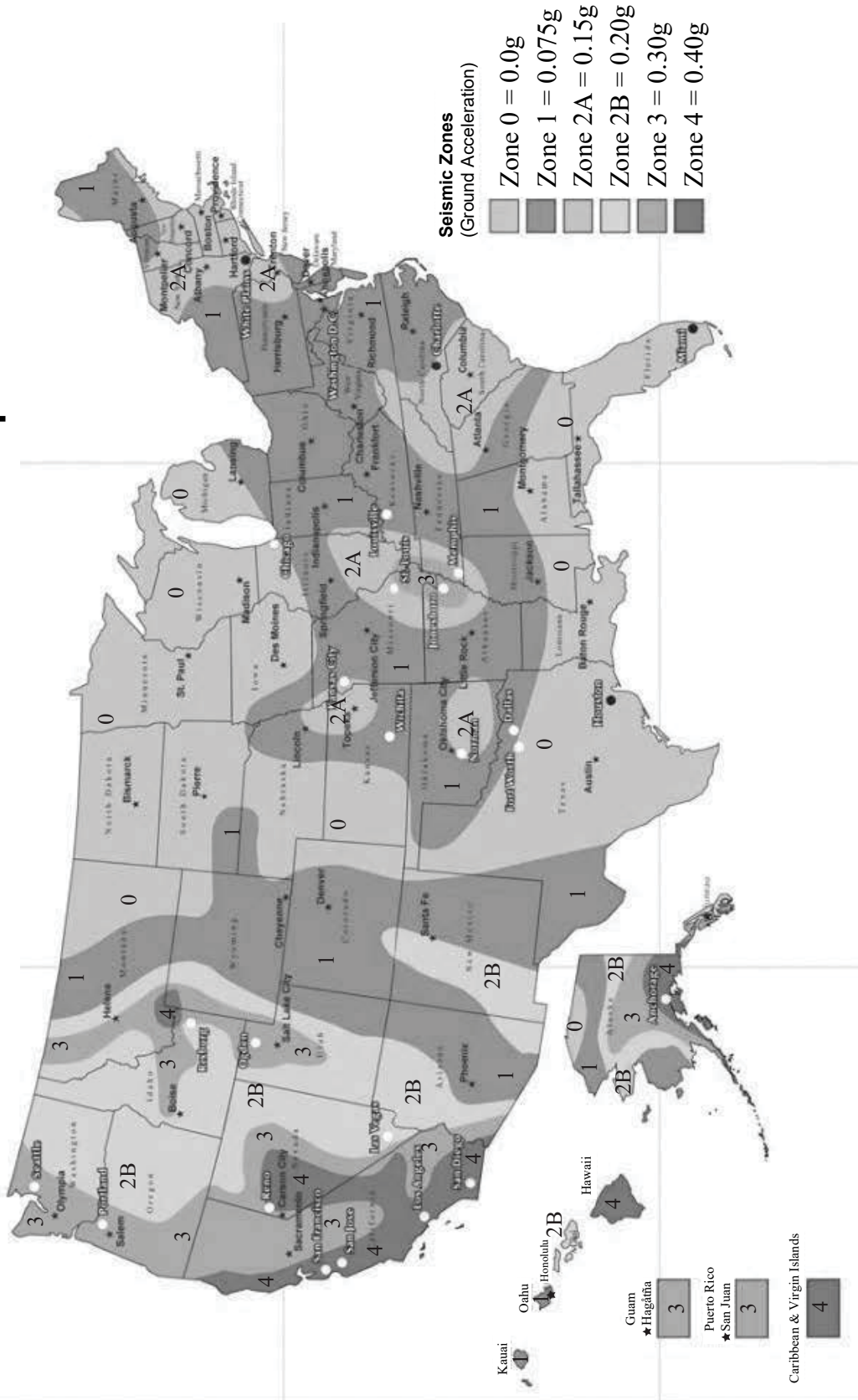


- Alaska and Hawaii are classified as severe and negligible, respectively.
- Lines defining areas are approximate only. Local conditions may be more or less severe than indicated by region classification. A severe classification is where weather conditions result in significant snowfall combined with extended periods during which there is little or no natural thawing causing deicing salts to be used extensively.

Appendix III

SEISMIC ACTIVITY MAP FOR THE UNITED STATES

United States Seismic Zones Map



Mason-Lite Fireplaces have been tested and passed the seismic requirements for Modular Masonry Fireplaces throughout the entire United States. We understand that not every installation needs the extra security that is involved in a high seismic zones. Rebar is **ONLY REQUIRED** in Mason-Lite units in seismic zones 3 & 4 shown in the map below. We will supply rebar to all fireplaces shipped to in the United States unless otherwise requested.

Lifetime Limited Warranty

MASON-LITE FIREPLACE

Masonry Fireplaces Industries, Inc. (MFI) warrants all Mason-Lite Fireplaces to be free from defects in materials that adversely affect fireplace performance for the lifetime of the product from the date of purchase, subject to the terms and conditions of this limited warranty. MFI does not warrant accessory chimney, outside air ducts and devices not manufactured by MFI.

This warranty covers only products manufactured by MFI, specifically the modular concrete firebox, and **NO WARRANTY, EXPRESS OR IMPLIED, EXTENDS TO ANY OF THE HARDWARE, FOUNDATION, VENTING, DUCTS, OR ACCESSORIES. THIS WARRANTY DOES NOT COVER DRAFTING, SMOKING, OR SOOTING OF THE FIREPLACE SYSTEM.** Factors beyond the manufacturer's control affect drafting, smoking, and sooting and MFI cannot guarantee these aspects of performance.

Coverage under this warranty is subject to the following conditions and exclusions:

- This warranty is null and void when the fireplaces are not installed pursuant to the installation instructions provided by MFI or local building codes have not been followed completely.
- Glass is warranted against thermal breakage only and only on models that are manufactured by MFI with a glass front. On Direct Vent models the safety glass or safety screen must be kept in front of this glass when fireplace is in use. Safety screen must be used on all models when in use.
- Firebrick panels one (1) year warranty for labor on replacement and five (5) year warranty for replacement panels.
- This warranty does not apply to any component or part that shows evidence of misuse, abuse, improper installation, accident or lack of regular maintenance. MFI is not responsible for misuse or mishandling of component parts.
- This warranty does not apply to any damage sustained to the appliance while in transit.
- Neither MFI, nor any affiliate thereof, is responsible for any labor costs or indirect costs incurred for the replacement of defective components. Any covered component that, in our judgment, is defective shall be repaired, replaced or refunded at MFI's option.
- Nothing in this warranty makes MFI, or any affiliate thereof, liable in any respect for any injury or damage to the building or structure in which the fireplace has been installed or to the persons or property therein arising out of the use, misuse, or installation of properly manufactured MFI products.
- The fireplace must be used in accordance with operating instructions. The grate or andirons must be installed when using the fireplace.

NEITHER MFI, NOR ANY AFFILIATE THEREOF, SHALL BE HELD LIABLE FOR ANY INCIDENTAL OR CONSEQUENTIAL DAMAGES OR EXPENSES ARISING OUT OF THE USE OF THE FIREPLACE. ALL SUCH DAMAGES AND EXPENSES ARE HEREBY EXCLUDED. Some states do not allow the exclusion or limitation of incidental or consequential damages, so the above limitation or exclusion may not apply to you.

If a component is found to be defective under the terms of this warranty, the party this warranty is extended to shall notify MFI, 6391 Jurupa Ave., PO Box 4338, Riverside, CA 92514 in writing, by registered mail, within thirty (30) days following the discovery of the defect within the lifetime warranty period. The letter shall include proof of purchase and state the (1) date of purchase, model number and serial number; (2) place of purchase; (3) address of installation; (4) name, address and phone number of the homeowner; and (5) a brief description of the defect.

This warranty applies only to those fireplaces installed in the continental United States, Alaska and Canada. If any part of this warranty is found to be unenforceable, the remaining parts shall remain in force and effect.

THE FOREGOING WARRANTY IS EXCLUSIVE AND IS IN LIEU OF ALL OTHER WARRANTIES, TERMS OR CONDITIONS, EXPRESS OR IMPLIED EITHER IN FACT OR BY OPERATION OF LAW. MFI HEREBY DISCLAIMS ALL GUARANTEES AND WARRANTIES, EXPRESS OR IMPLIED, BEYOND THE WARRANTIES SET FORTH HEREIN, INCLUDING BUT NOT LIMITED TO WARRANTIES OF MERCHANTABILITY OR FITNESS FOR A PARTICULAR PURPOSE. Some states do not allow limitations on how long an implied warranty lasts, so the above limitation may not apply to you.

Revision date: 02/24/2023

MASONRY FIREPLACE INDUSTRIES, Inc.
6391 Jurupa Ave., Riverside, California 92504
Telephone (800) 345-7078 Fax (951) 588-8046.

MASON-LITE

by MFI • Masonry Fireplace Industries, Inc.

Installer, please fill out the following information:

Customer	
Address	
Date of Installation	
Location of Appliance	
Installer	
Dealer/Distributor contact number	
Fireplace Model	
Fireplace Serial #	